



US00D842992S

(12) **United States Design Patent**
Osada

(10) **Patent No.:** **US D842,992 S**

(45) **Date of Patent:** **** Mar. 12, 2019**

(54) **ENDOSCOPE OPERATING UNIT**
(71) Applicant: **OLYMPUS CORPORATION**, Tokyo (JP)
(72) Inventor: **Reisuke Osada**, Tokyo (JP)
(73) Assignee: **OLYMPUS CORPORATION**, Tokyo (JP)
(**) Term: **15 Years**

D698,921 S * 2/2014 Koennecke D24/138
D753,298 S * 4/2016 Hayamizu D24/138
D768,854 S * 10/2016 Halleck D24/138
D773,661 S * 12/2016 Funakoshi D24/138
D780,916 S * 3/2017 Ogura D24/138
D785,174 S * 4/2017 Osada D16/219
D787,055 S * 5/2017 Ingman D24/133
2007/0230075 A1 * 10/2007 Murata G02B 23/2492
361/58
2016/0242629 A1 * 8/2016 Hijihara A61B 1/0052
2017/0347916 A1 * 12/2017 Hane A61B 5/065

* cited by examiner

(21) Appl. No.: **29/640,516**
(22) Filed: **Mar. 15, 2018**

Primary Examiner — Ian Simmons
Assistant Examiner — Yolanda Robinson
(74) *Attorney, Agent, or Firm* — Scully, Scott, Murphy & Presser, P.C.

Related U.S. Application Data

(62) Division of application No. 29/558,485, filed on Mar. 18, 2016.

(51) **LOC (11) Cl.** **24-02**
(52) **U.S. Cl.**
USPC **D24/138**

(57) **CLAIM**

The ornamental design for an endoscope operating unit, as shown and described.

(58) **Field of Classification Search**
USPC D24/108, 117, 118, 222, 324, 325, 200, D24/201, 202, 331; D23/223-226; D21/325, 329, 331; D14/114, 401; D13/162; 600/145, 146, 147, 131
CPC A61B 1/00; A61B 1/267; A61B 1/0052; A61B 1/0684; A61B 1/00039
See application file for complete search history.

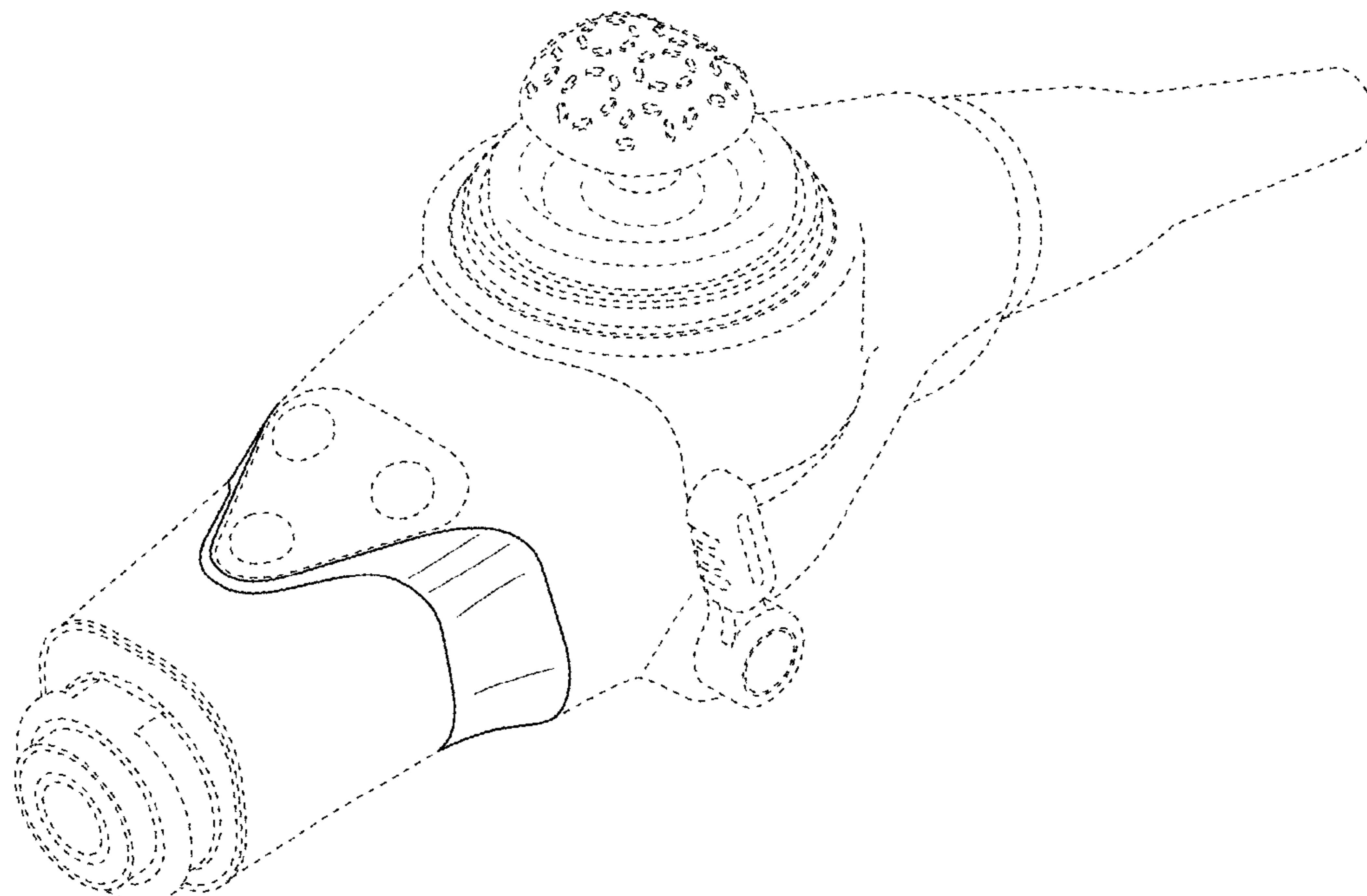
DESCRIPTION

FIG. 1 is a perspective view of an endoscope operating unit, showing my new design;
FIG. 2 is a front view thereof;
FIG. 3 is a rear view thereof;
FIG. 4 is a top view thereof;
FIG. 5 is a bottom view thereof;
FIG. 6 is a left side view thereof; and,
FIG. 7 is a right side view thereof.
The broken lines show portions of the endoscope operating unit that form no part of the claimed design.

(56) **References Cited**
U.S. PATENT DOCUMENTS

D663,344 S * 7/2012 Yasue D16/219
D671,214 S * 11/2012 Funakoshi D24/138

1 Claim, 3 Drawing Sheets



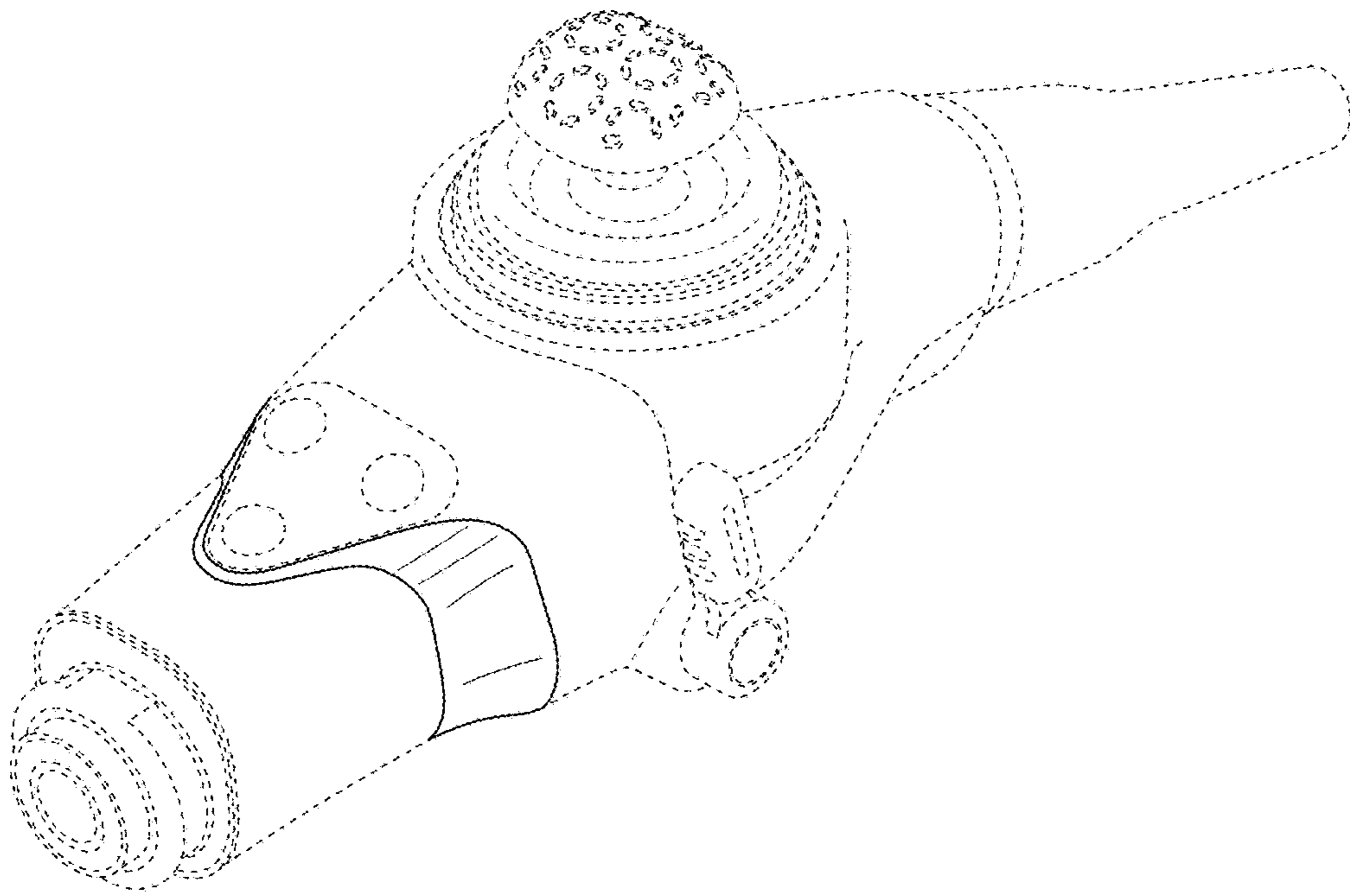


Fig. 1

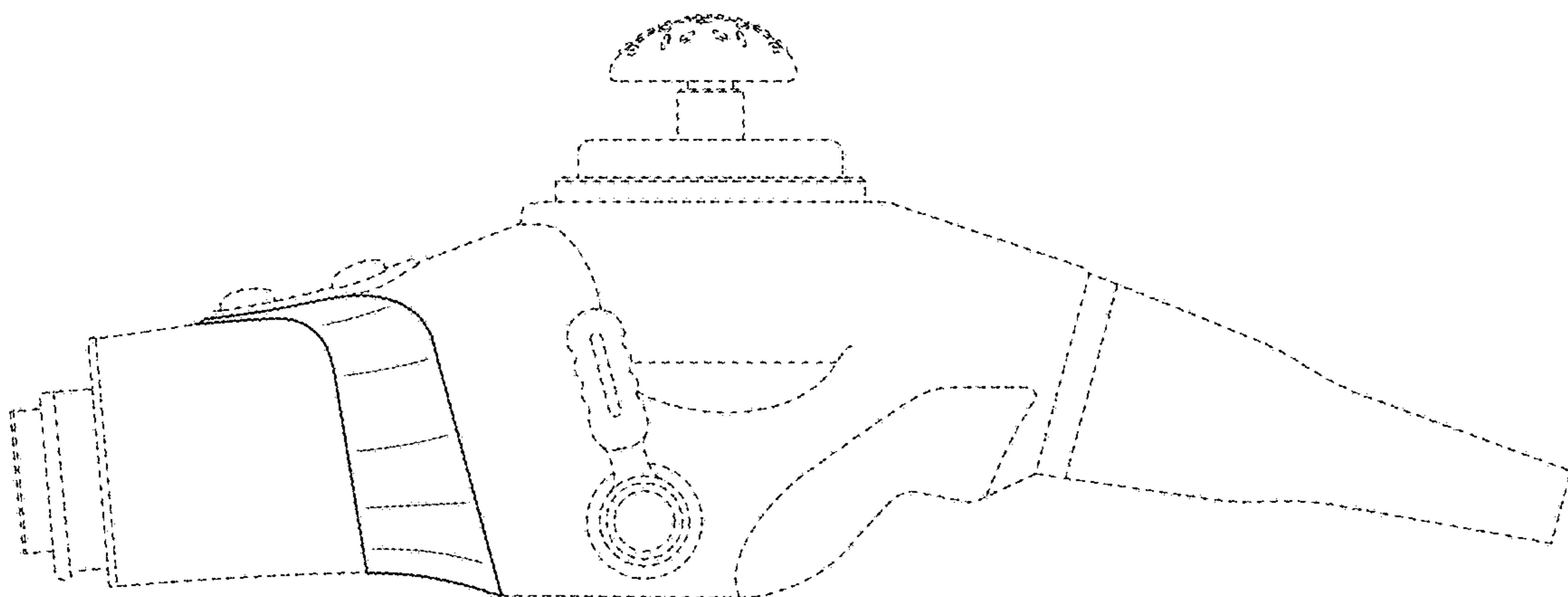


Fig. 2

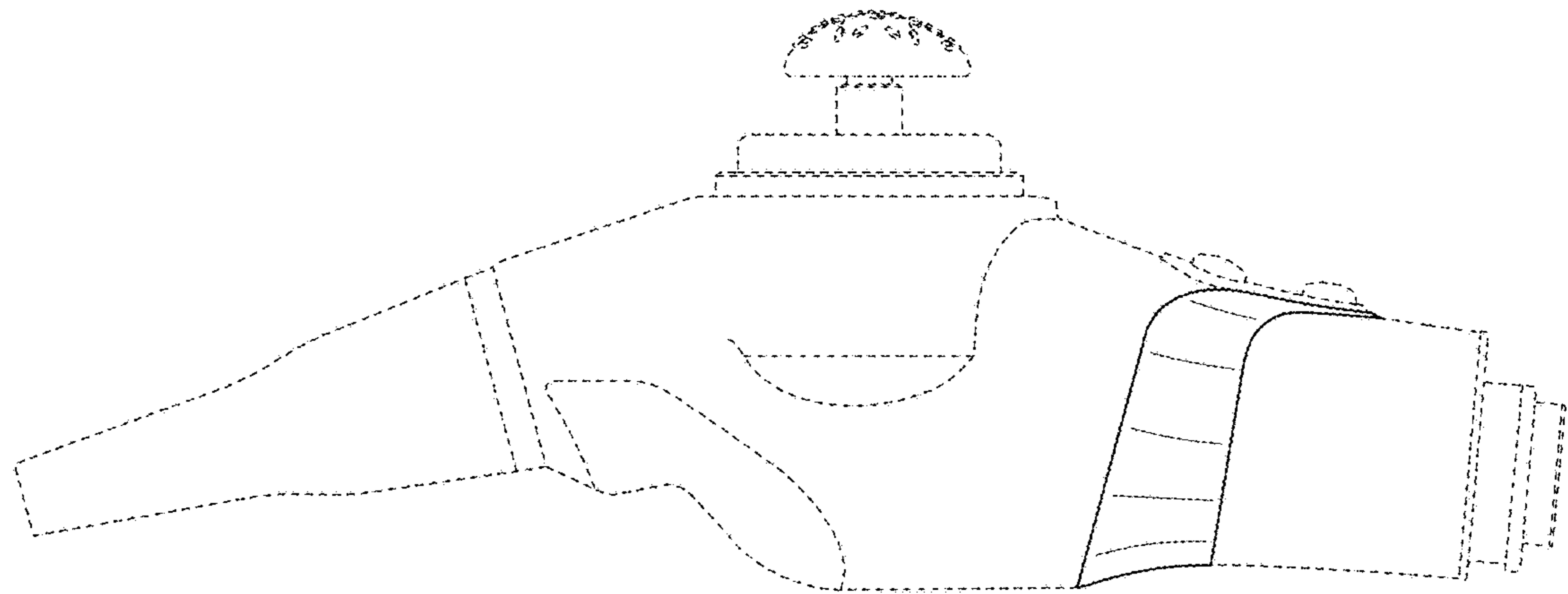


Fig. 3

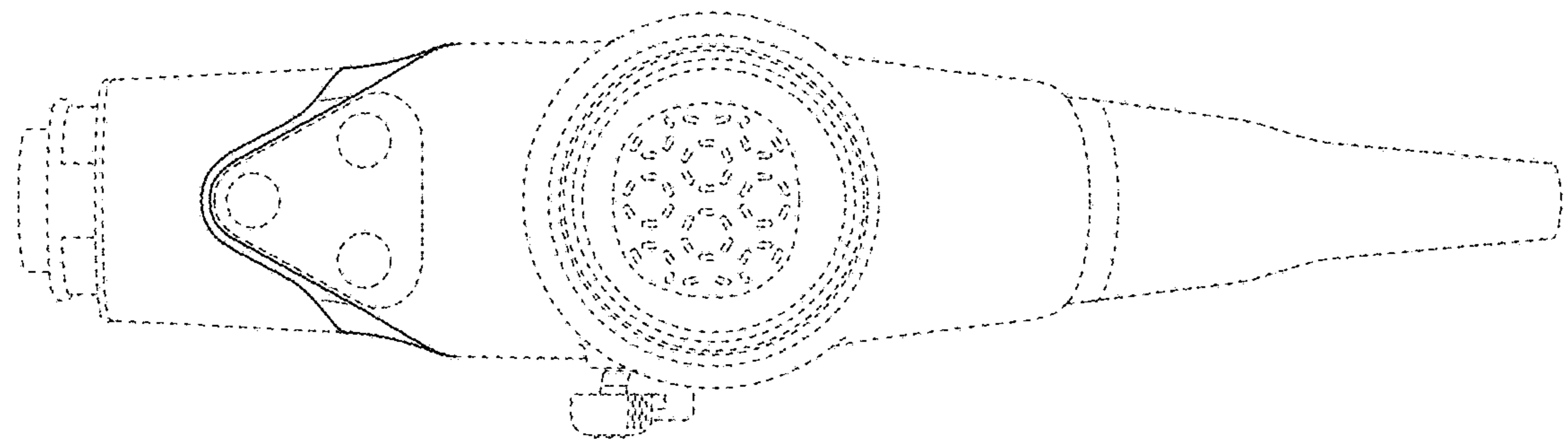


Fig. 4

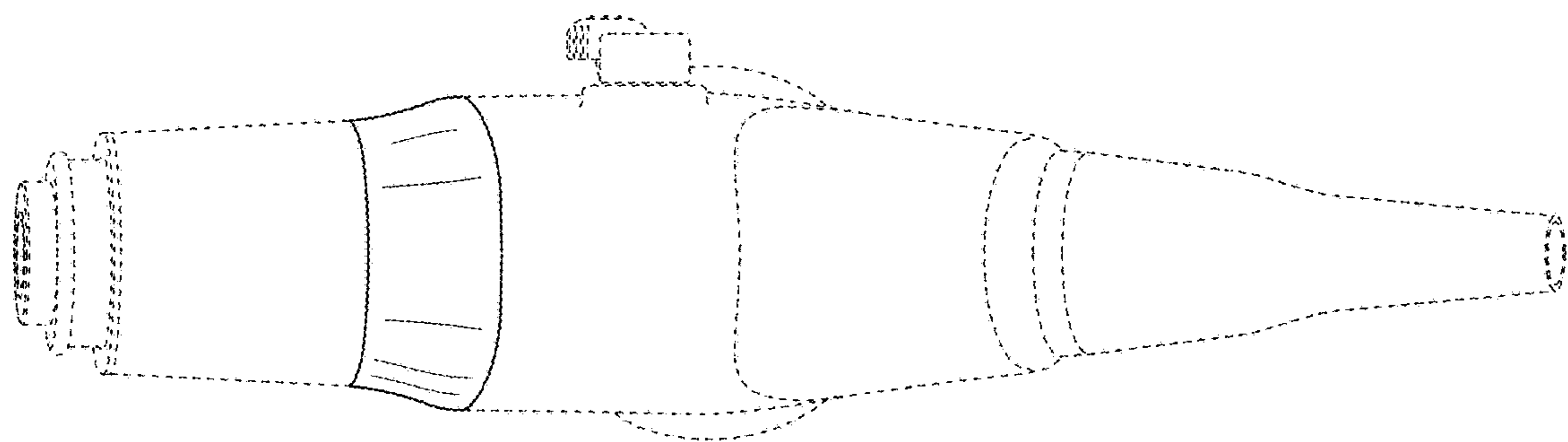


Fig. 5

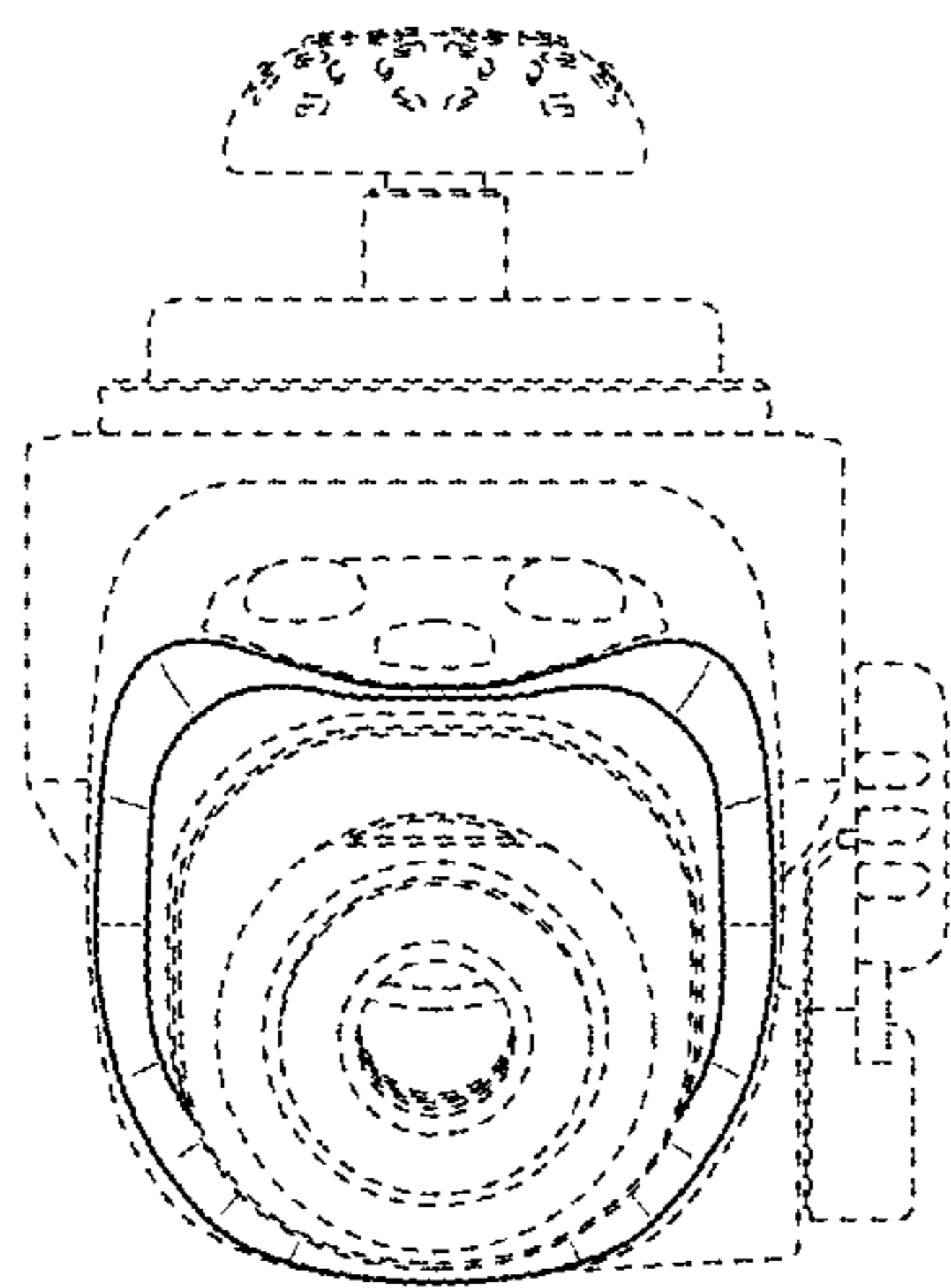


Fig. 6

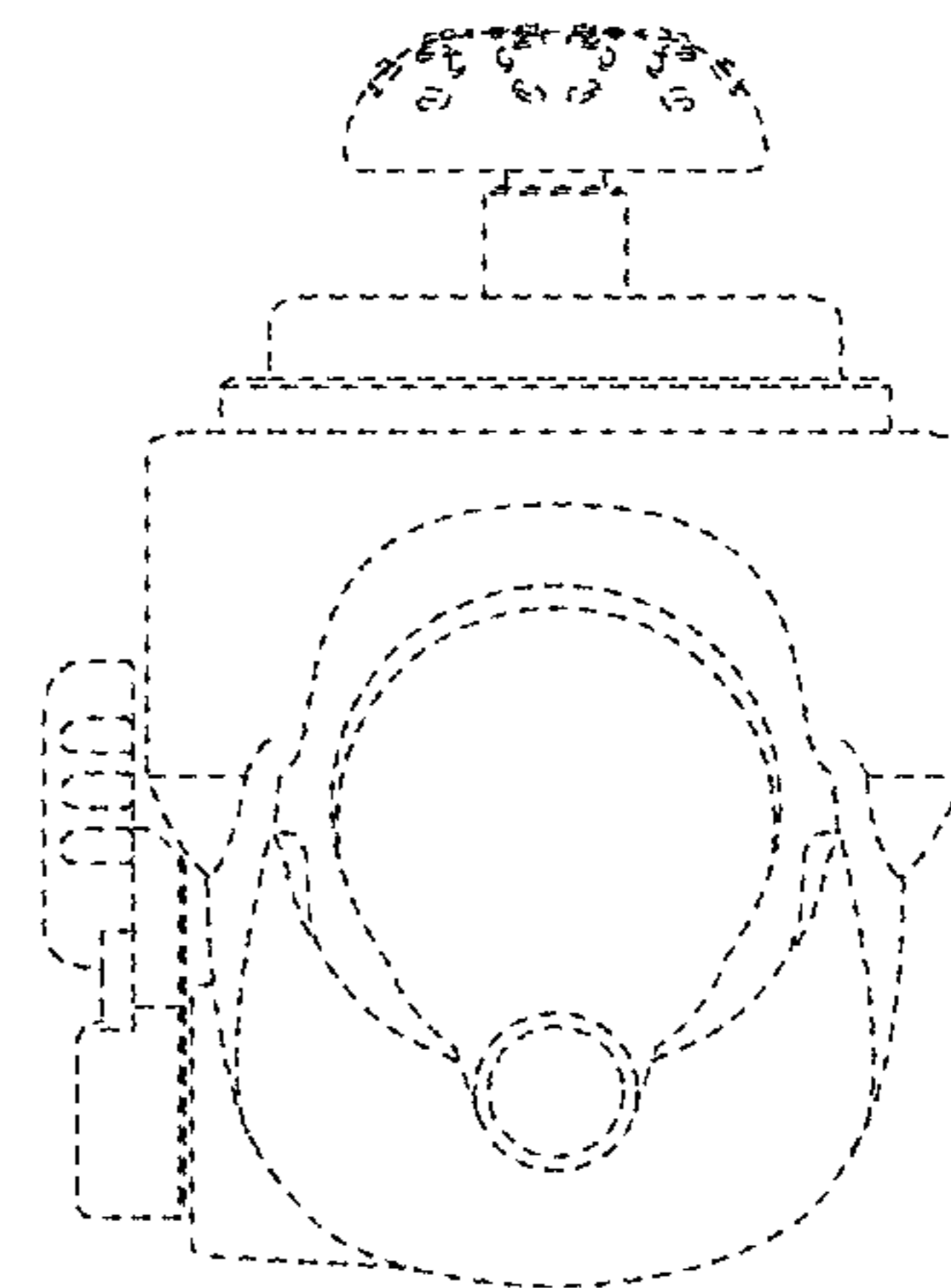


Fig. 7

UNITED STATES PATENT AND TRADEMARK OFFICE
CERTIFICATE OF CORRECTION

PATENT NO. : D842,992 S
APPLICATION NO. : 29/640516
DATED : March 12, 2019
INVENTOR(S) : Reisuke Osada

Page 1 of 1

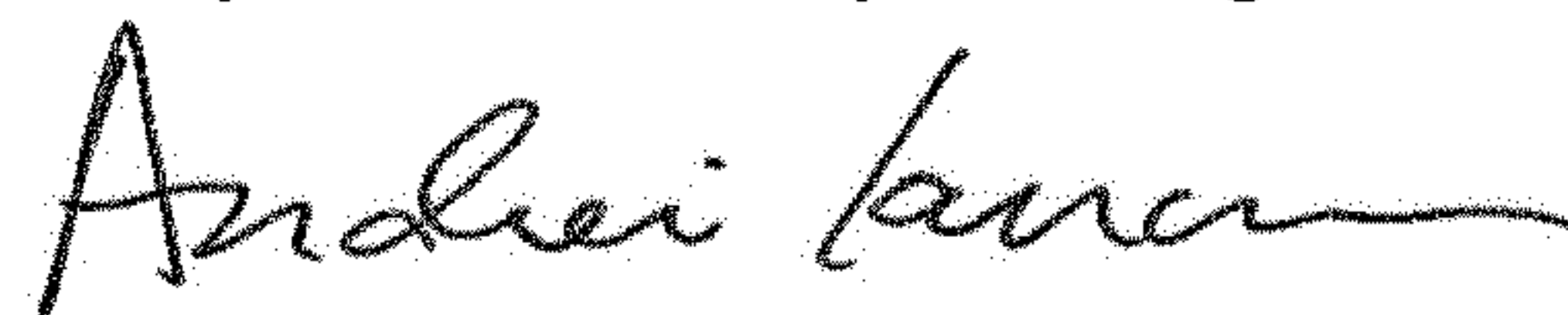
It is certified that error appears in the above-identified patent and that said Letters Patent is hereby corrected as shown below:

On the Title Page

(30) Foreign Application Priority Data should read:

Sep. 18, 2015 (JP) 2015-020761
Sep. 18, 2015 (JP) 2015-020762
Sep. 18, 2015 (JP) 2015-020765

Signed and Sealed this
Twenty-seventh Day of August, 2019



Andrei Iancu
Director of the United States Patent and Trademark Office