

US00D842991S

(12) **United States Design Patent** (10) **Patent No.:** **US D842,991 S**
Cable, Jr. (45) **Date of Patent:** **** *Mar. 12, 2019**

(54) **DISPOSABLE GRABBING OTOSCOPE SPECULUM**

(71) Applicant: **Ronald M. Cable, Jr.**, Mustang, OK (US)

(72) Inventor: **Ronald M. Cable, Jr.**, Mustang, OK (US)

(*) Notice: This patent is subject to a terminal disclaimer.

(**) Term: **14 Years**

(21) Appl. No.: **29/497,839**

(22) Filed: **Jul. 29, 2014**

Related U.S. Application Data

(63) Continuation-in-part of application No. 13/046,235, filed on Mar. 11, 2011.

(51) **LOC (11) Cl.** **24-02**

(52) **U.S. Cl.**
USPC **D24/135**

(58) **Field of Classification Search**
USPC D24/135, 137, 138, 150, 172
CPC A61B 1/227; A61B 1/2275; A61B 5/6817;
A61B 1/32
See application file for complete search history.

(56) **References Cited**

U.S. PATENT DOCUMENTS

672,317	A *	4/1901	Simms	A61B 1/227
					600/200
1,775,140	A *	9/1930	Platou	A61B 1/2275
					600/200
D333,702	S *	3/1993	Hufman	D24/135
5,390,663	A	2/1995	Schaefer		
D406,339	S *	3/1999	Stacks	D24/137
5,916,150	A	6/1999	Sillman		
D421,123	S *	2/2000	Kugler	D24/137

(Continued)

FOREIGN PATENT DOCUMENTS

EM 000132253-0001 * 5/2004
EM 000132253-0004 * 5/2004

(Continued)

Primary Examiner — Bridget L Eland

Assistant Examiner — Lauren D McVey

(74) *Attorney, Agent, or Firm* — Cramer Patent & Design, PLLC; Aaron R. Cramer

(57) **CLAIM**

The ornamental design for a disposable grabbing otoscope speculum, as shown and described.

DESCRIPTION

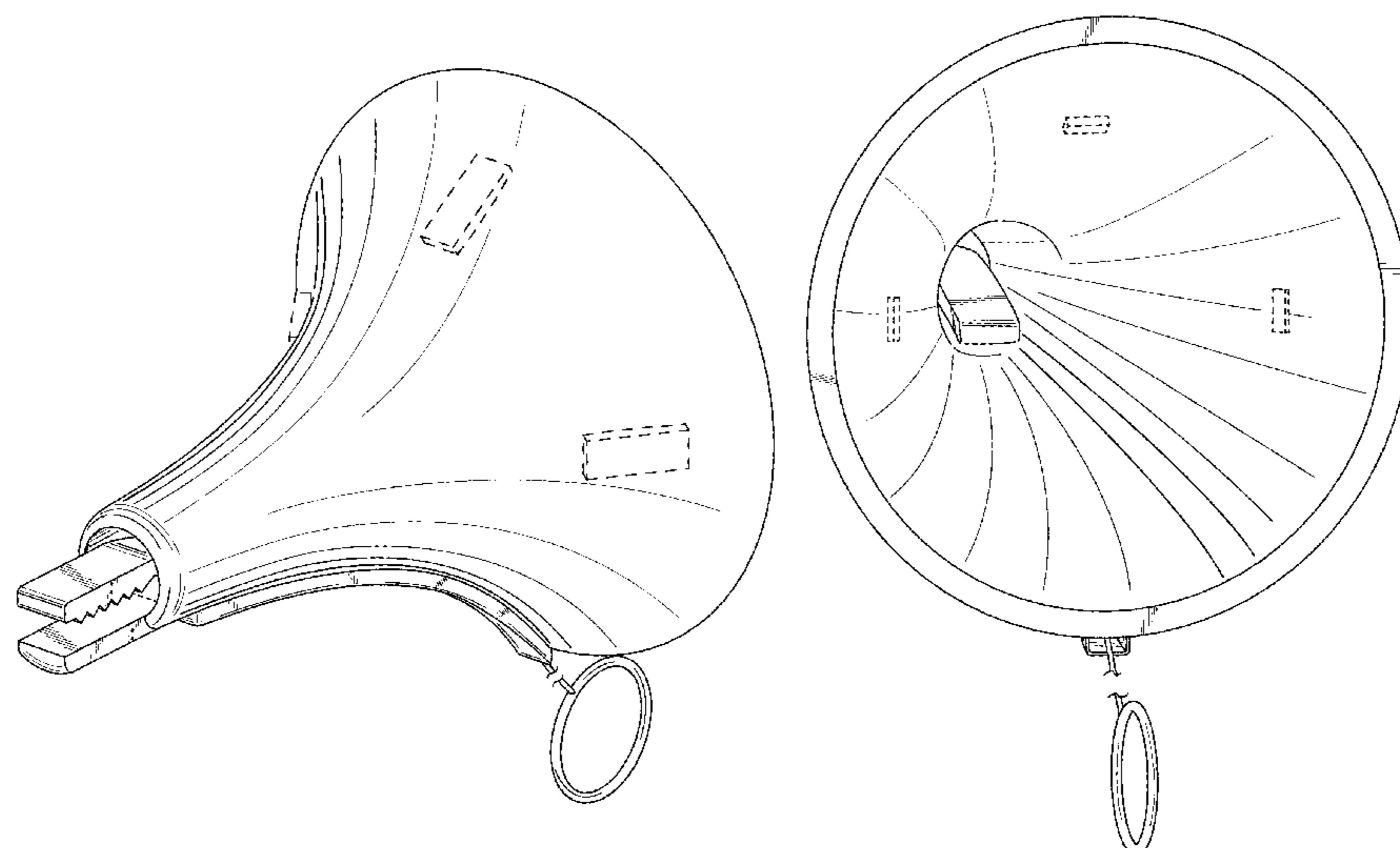
FIG. 1 is a front perspective view of a disposable grabbing otoscope speculum, showing my new design; FIG. 2 is a rear perspective view thereof; FIG. 3 is a front view thereof; FIG. 4 is a rear view thereof; FIG. 5 is a right-hand side view thereof; FIG. 6 is a left-hand side view thereof; FIG. 7 is a top view thereof; FIG. 8 is a bottom view thereof; and, FIG. 9 is a cross section view of the disposable grabbing otoscope speculum of FIG. 1 taken in the direction of line 9-9 of FIG. 7.

The broken lines shown in the views are included for the purpose of illustrating portions of the grabbing otoscope speculum that form no part of the claimed design.

The cord of the grabbing otoscope speculum is shown with a symbolic break in its length. The appearance of any portion of the cord between the break lines forms no part of the claimed design.

The dot-dash arrows in the FIG. 7 view are used to identify the cross section views, are for reference purposes only, and form no part of the claimed design.

1 Claim, 9 Drawing Sheets



(56)

References Cited

U.S. PATENT DOCUMENTS

6,165,125 A * 12/2000 Elliott A61B 1/00087
600/184
D439,335 S * 3/2001 Walls D24/137
6,416,464 B2 7/2002 Elliott
D566,270 S * 4/2008 Strom D24/137
D621,506 S * 8/2010 Khen D24/107
8,062,216 B2 * 11/2011 Raghuprasad A61B 1/227
600/200
8,574,240 B2 * 11/2013 Loushin A61B 1/00149
606/109
8,840,546 B2 * 9/2014 Truong A61B 1/227
600/187
2002/0193665 A1 * 12/2002 Jones A61B 1/00105
600/200
2007/0156173 A1 7/2007 Carnahan et al.

FOREIGN PATENT DOCUMENTS

GB 2083952 * 6/2004
WO WO 9742921 A1 * 11/1997 A61B 1/227

* cited by examiner

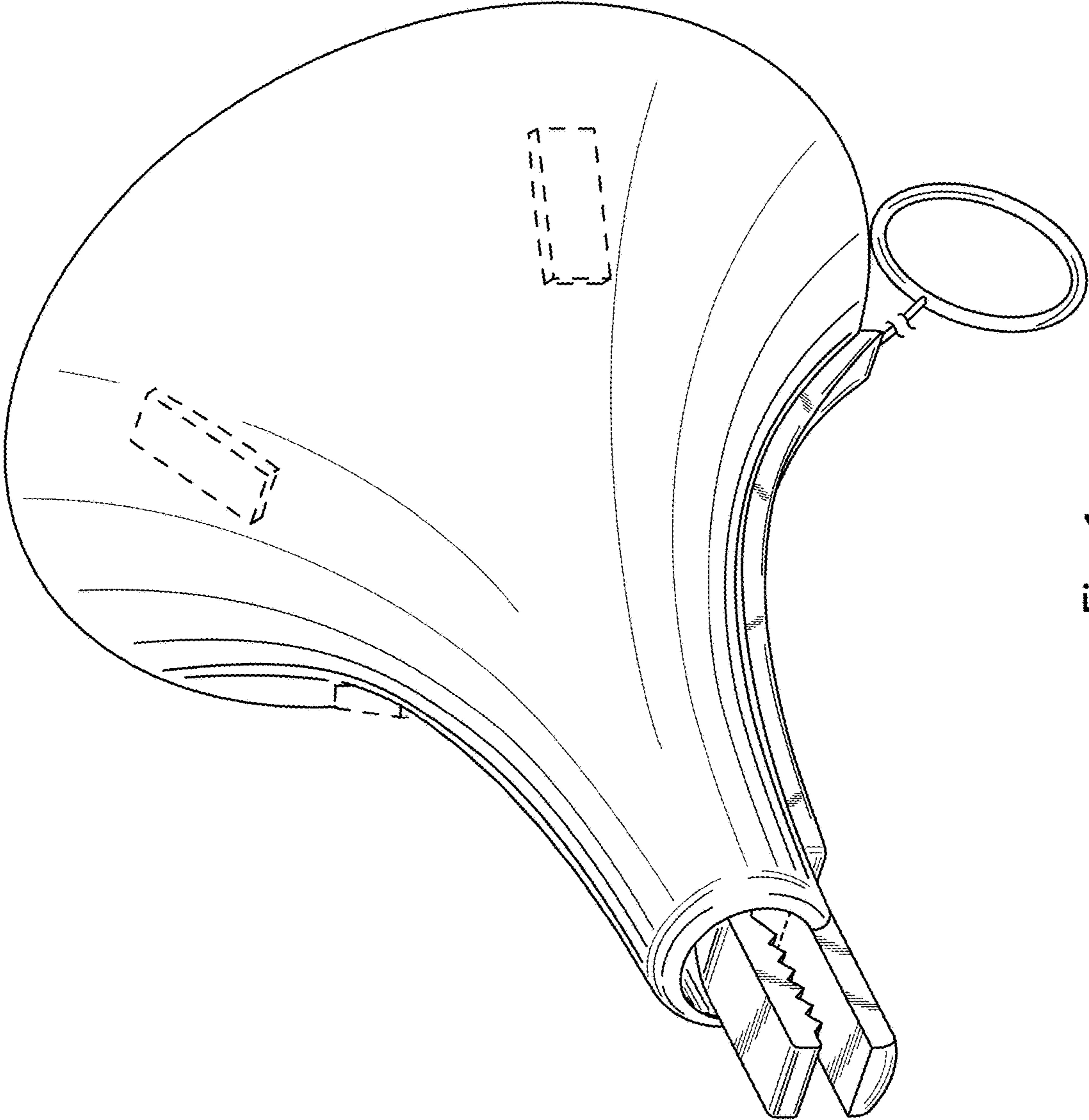


Fig. 1

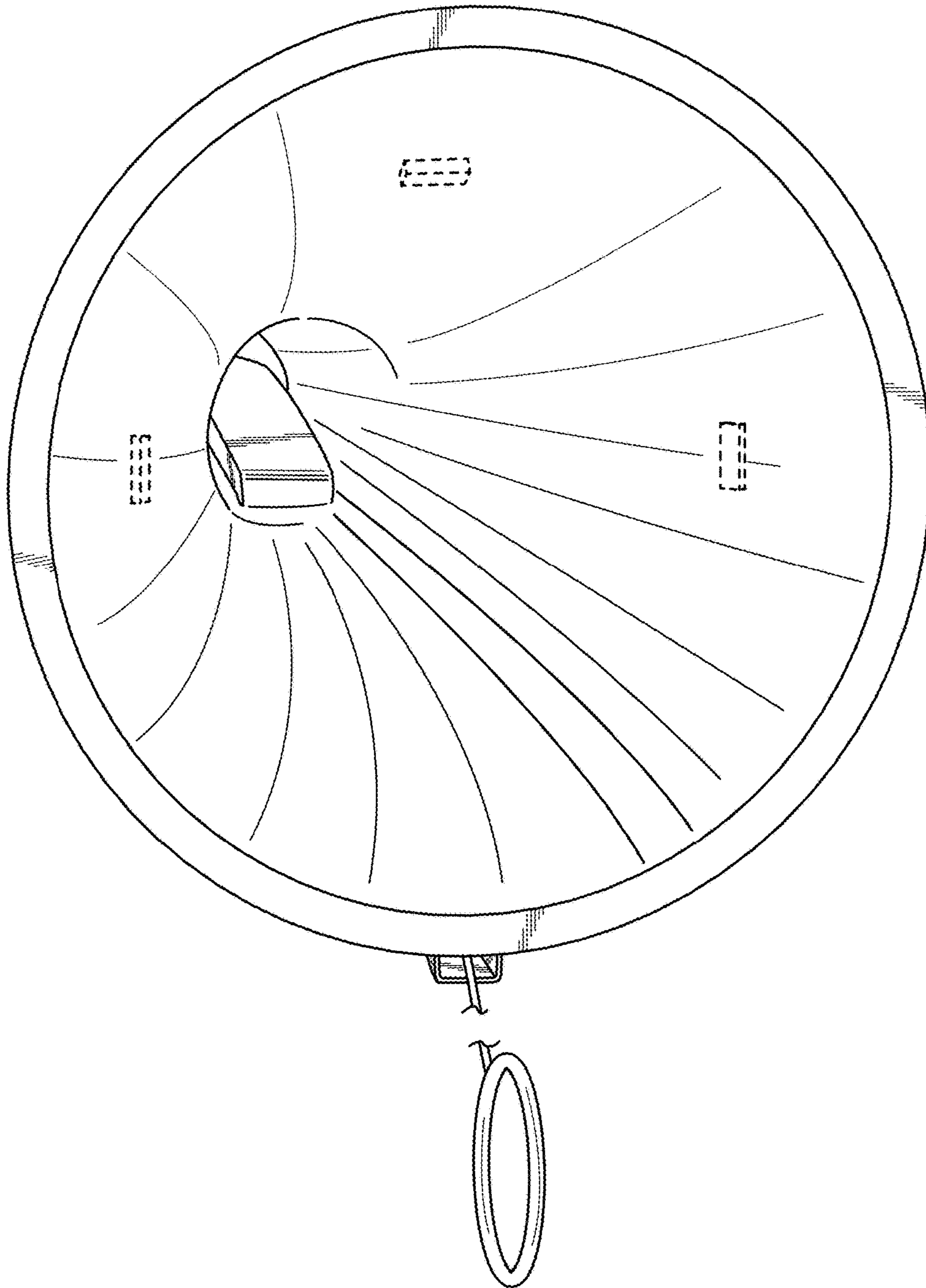


Fig. 2

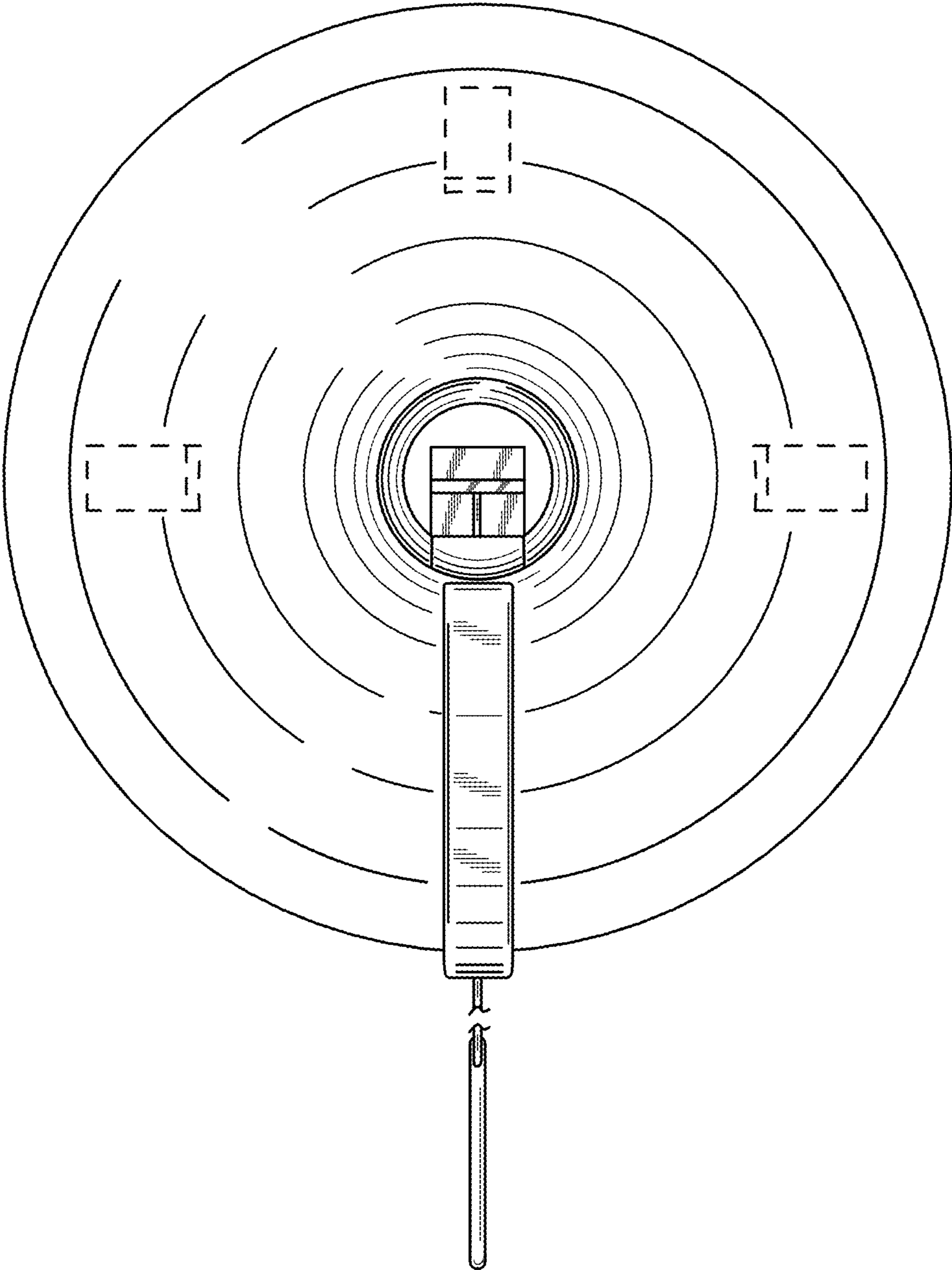


Fig. 3

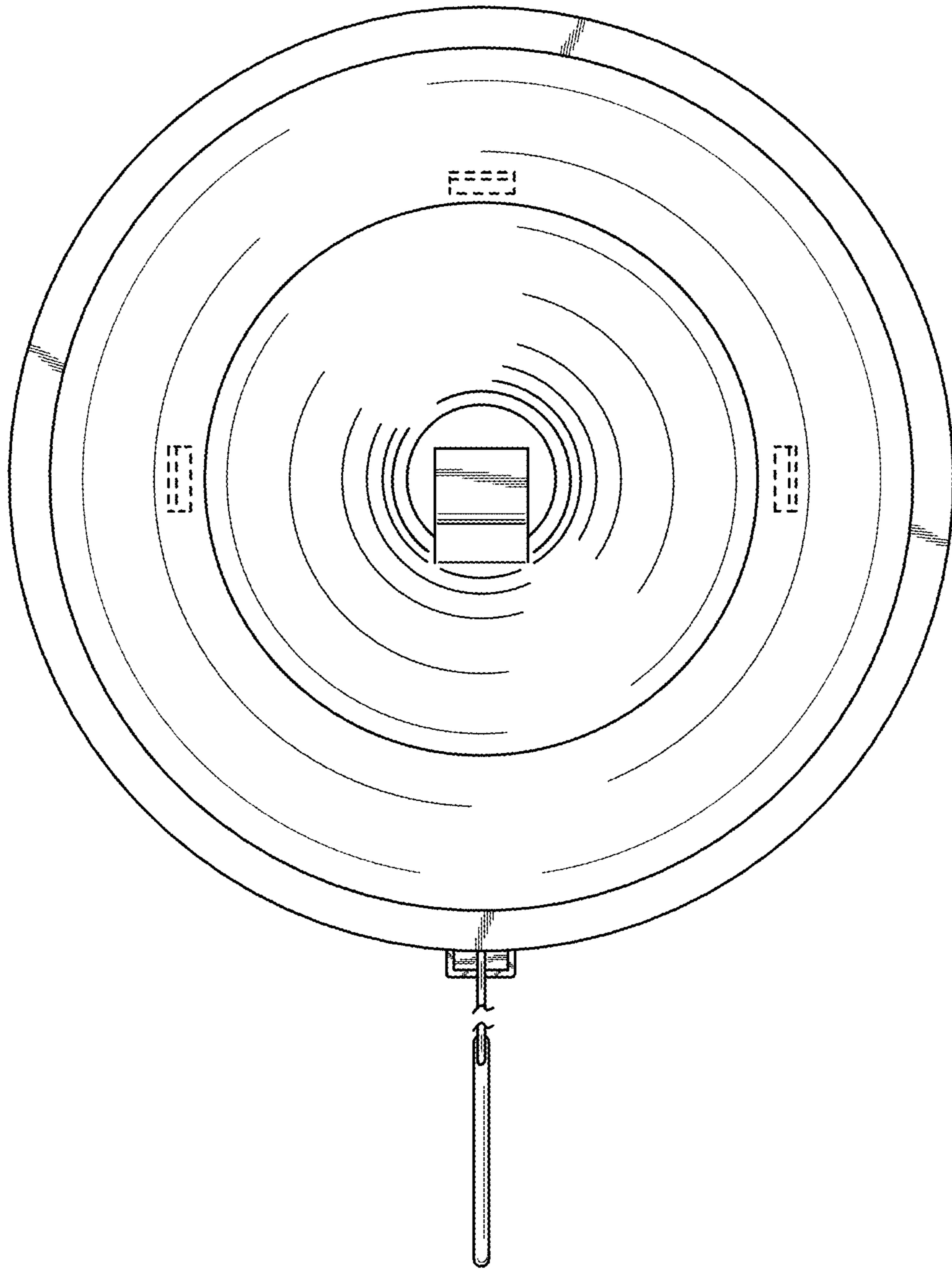


Fig. 4

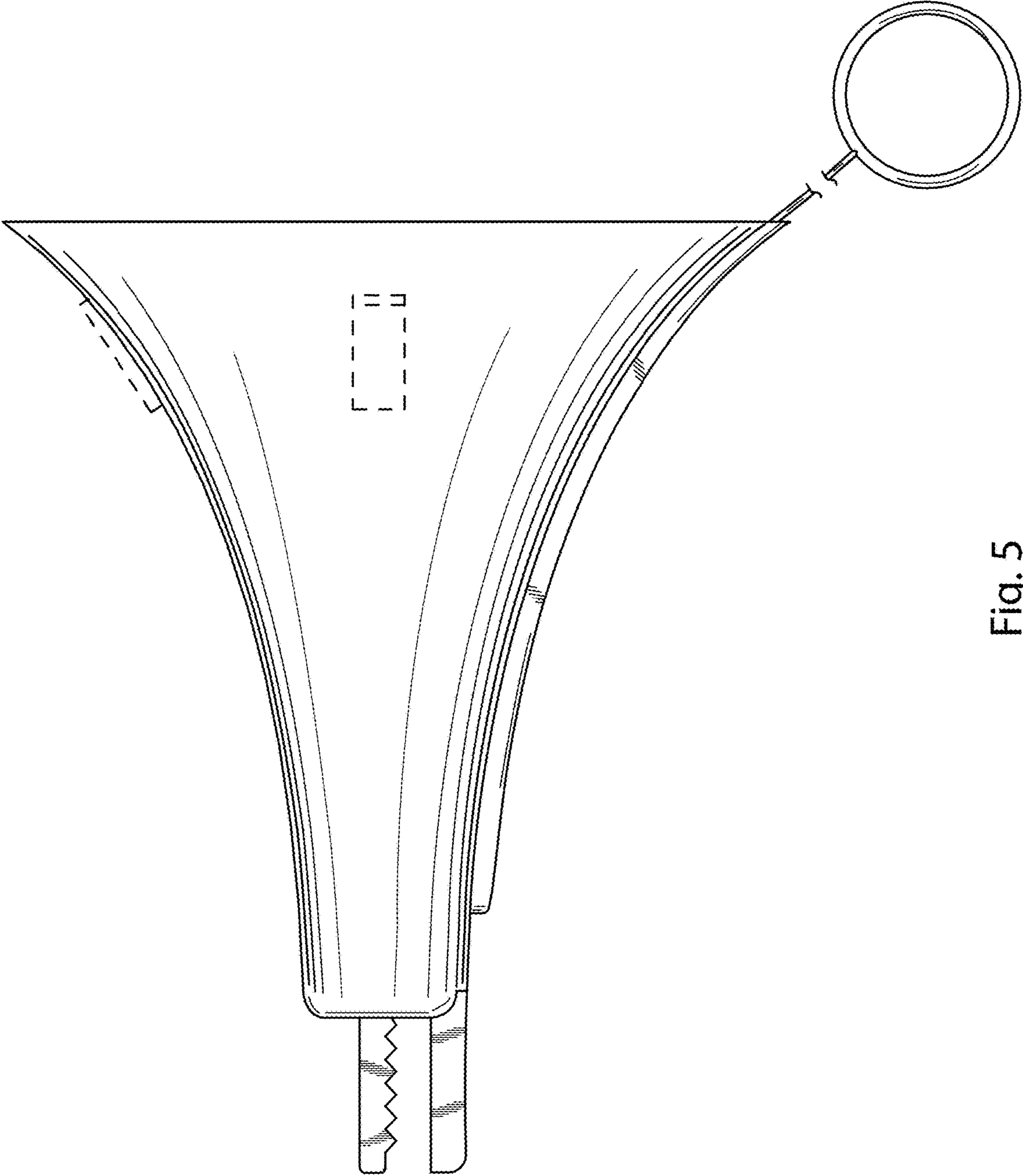


Fig. 5

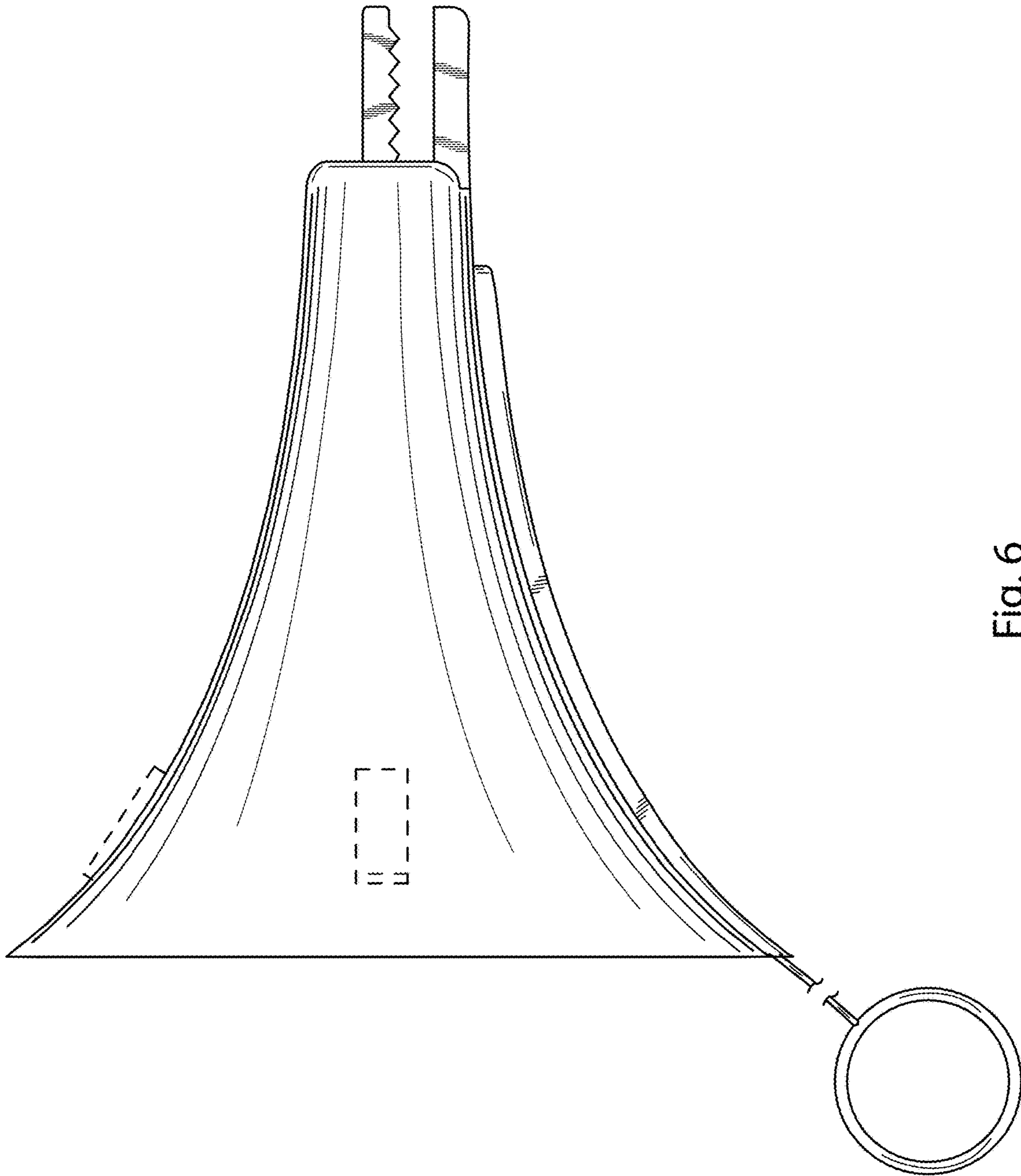


Fig. 6

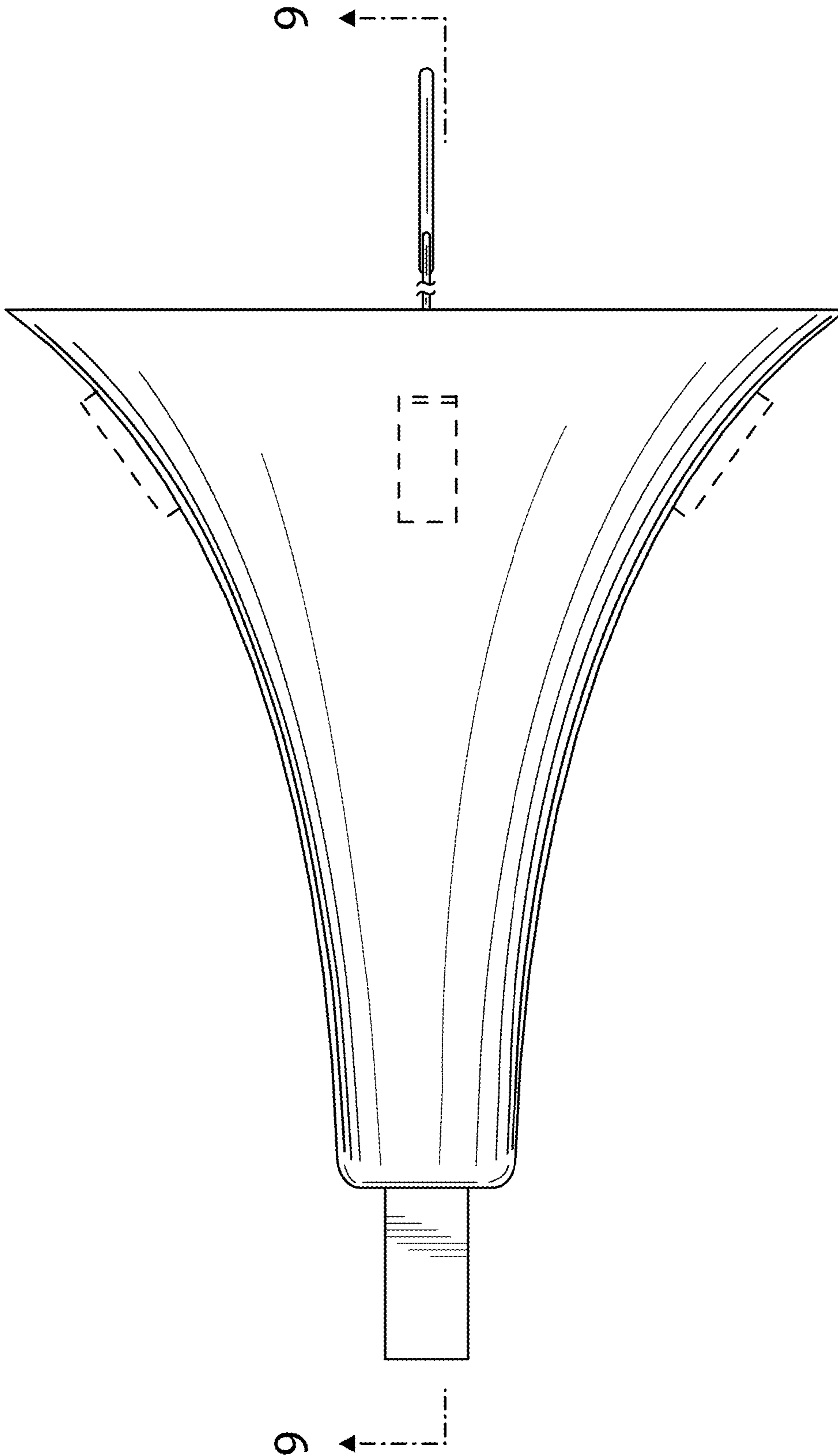


Fig. 7

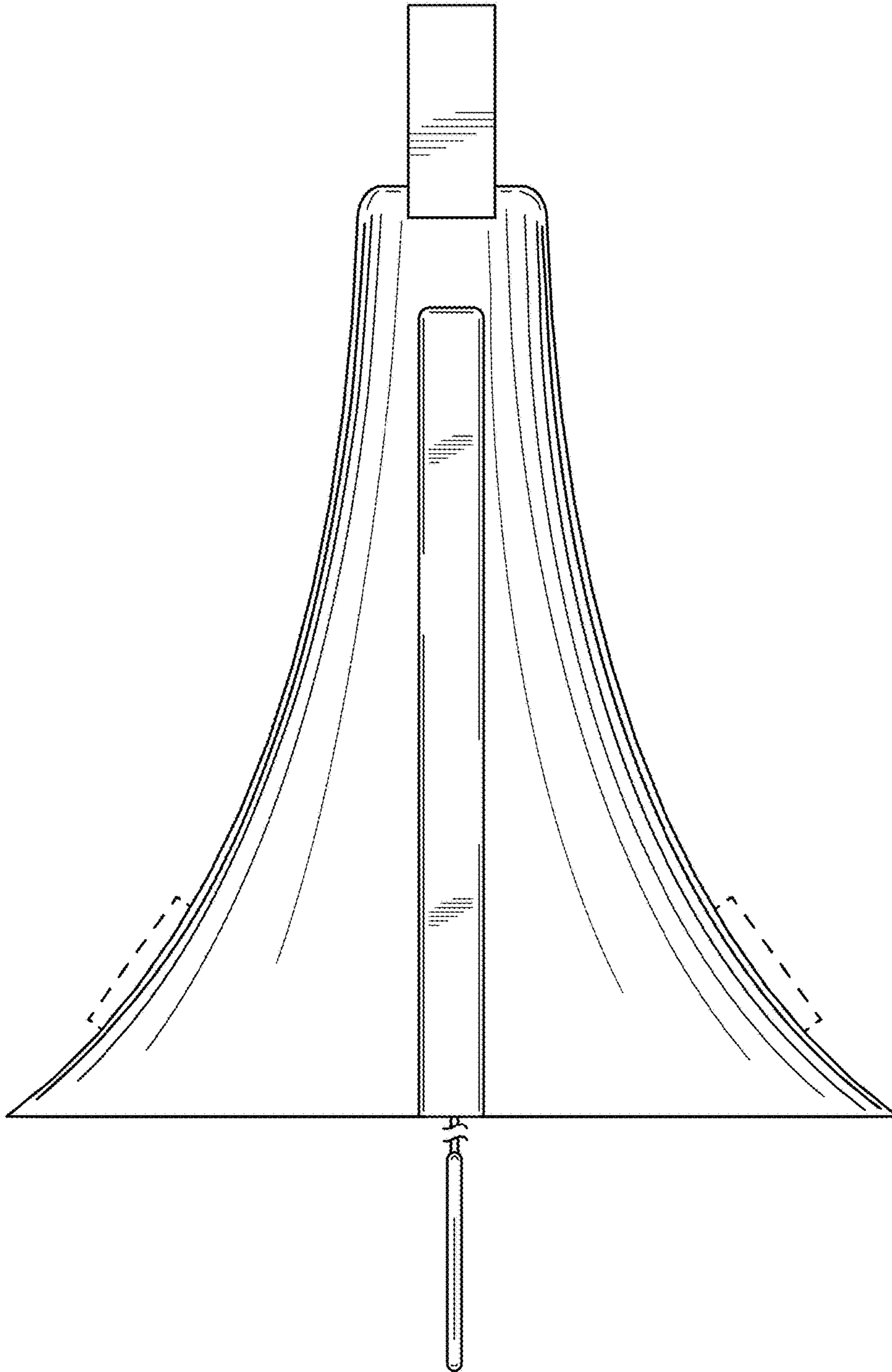


Fig. 8

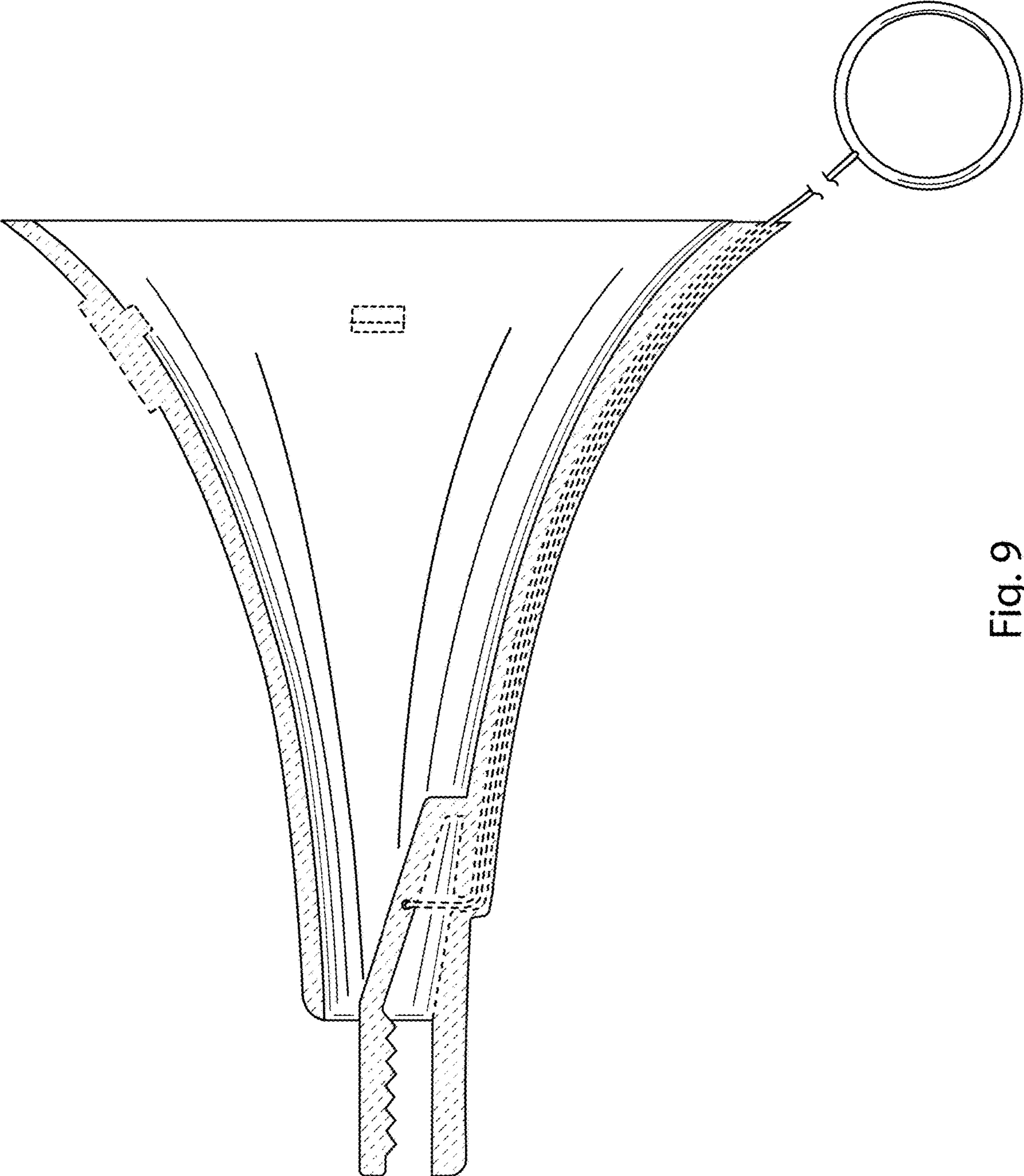


Fig. 9