



US00D842990S

(12) **United States Design Patent** (10) **Patent No.:** **US D842,990 S**  
**Amano** (45) **Date of Patent:** **\*\* Mar. 12, 2019**

(54) **HANDLE BODY FOR SURGICAL DEVICE**

D720,594 S \* 1/2015 Henderson ..... D8/107  
D723,349 S \* 3/2015 Henderson ..... D8/107  
D747,477 S \* 1/2016 Freigang ..... D24/133

(71) Applicant: **OLYMPUS CORPORATION**,  
Hachioji-shi, Tokyo (JP)

(Continued)

(72) Inventor: **Hirotooshi Amano**, Tokyo (JP)

**FOREIGN PATENT DOCUMENTS**

(73) Assignee: **OLYMPUS CORPORATION**, Tokyo  
(JP)

CN 304763935 \* 8/2018  
JP D1602520 \* 4/2018  
JP D1612852 \* 9/2018

(\*\*) Term: **15 Years**

*Primary Examiner* — Bridget L Eland  
*Assistant Examiner* — Lauren D McVey

(21) Appl. No.: **29/639,741**

(74) *Attorney, Agent, or Firm* — Oliff PLC

(22) Filed: **Mar. 8, 2018**

(57) **CLAIM**

The ornamental design for a handle body for surgical device,  
as shown and described.

(30) **Foreign Application Priority Data**

**DESCRIPTION**

Sep. 8, 2017 (JP) ..... 2017-019510

(51) **LOC (11) Cl.** ..... **24-02**

(52) **U.S. Cl.**  
USPC ..... **D24/133**

(58) **Field of Classification Search**  
USPC ..... D24/133, 141, 147, 137, 138; D8/303,  
D8/313

CPC ..... A61F 2002/9517; A61F 2002/9522; A61F  
2002/9528; A61F 2002/9534; A61F  
2002/9665; A61B 1/267; A61B 1/2673;  
A61B 1/2676; A61B 1/00; A61B  
1/00052; A61B 1/00066; A61B 5/0077;  
A61B 19/5223; A61B 19/5225; A61B  
1/04; A61B 8/5215; G02B 23/24

See application file for complete search history.

FIG. 1 is a front, top and left side perspective view of a  
handle body for surgical device, showing my new design;  
FIG. 2 is a front, bottom and right side perspective view  
thereof;

FIG. 3 is a front view thereof;  
FIG. 4 is a rear view thereof;  
FIG. 5 is a top view thereof;  
FIG. 6 is a bottom view thereof;  
FIG. 7 is a left side view thereof;  
FIG. 8 is a right side view thereof;  
FIG. 9 is a cross-sectional view thereof, taken along the line  
9-9 in FIG. 5; and,

FIG. 10 is an enlarged cross section view thereof, taken  
along the line 10-10 in FIG. 3.

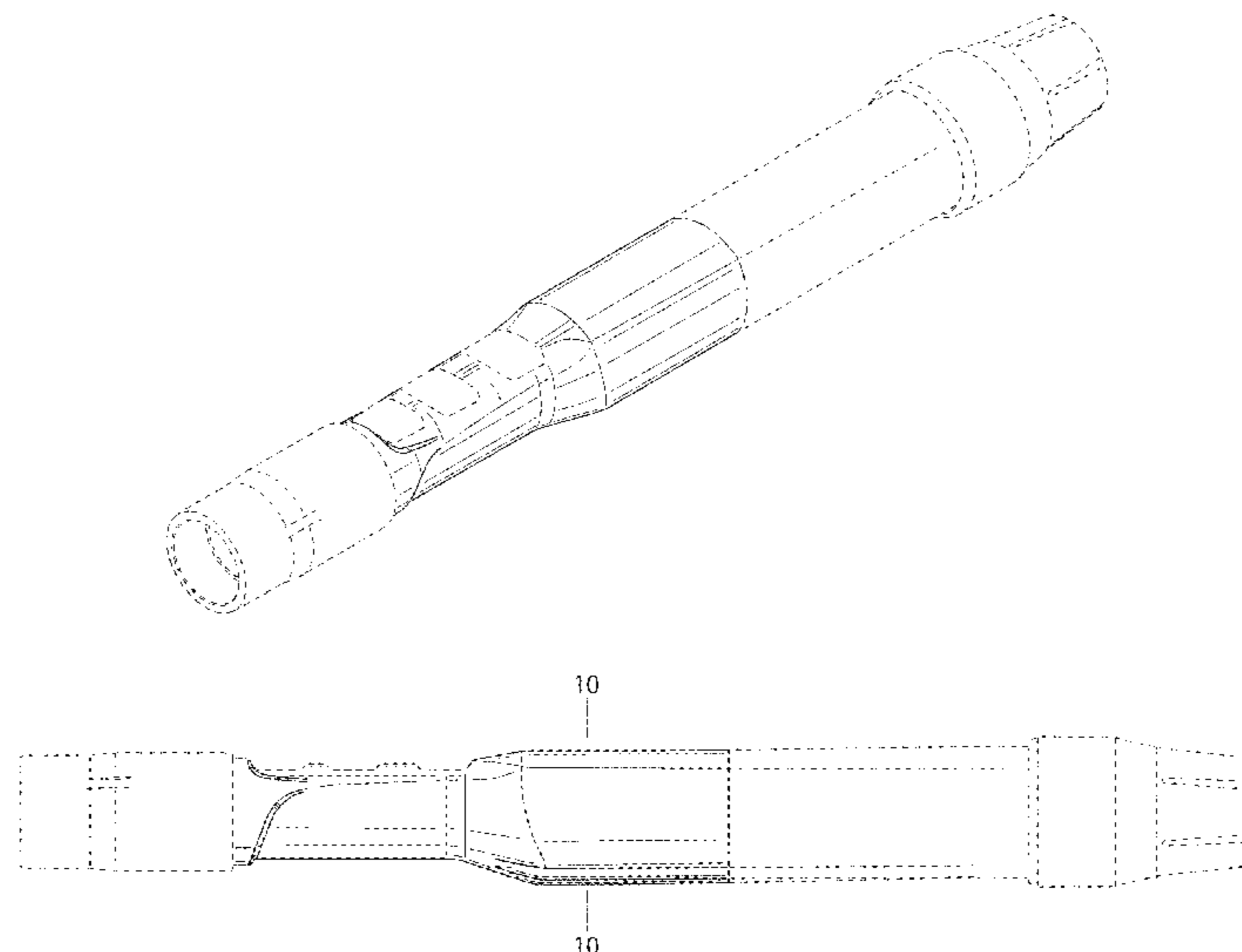
The evenly spaced broken lines and dot-dash broken lines  
immediately adjacent the shaded areas represent the bounds  
of the claimed design while all other broken lines are  
directed to environment and are for illustrative purposes  
only; the broken lines form no part of the claimed design.  
The dot-dot-dash lines in the cross-section FIGS. 3 and 5  
views are used to identify the cross-section views and are for  
reference purposes only.

(56) **References Cited**

**U.S. PATENT DOCUMENTS**

D109,355 S \* 4/1938 Temple ..... D24/110  
D351,227 S \* 10/1994 Patton ..... D24/112  
D518,175 S \* 3/2006 Hardin, Jr. .... D24/133  
D648,851 S \* 11/2011 Copeland ..... D24/112  
D663,026 S \* 7/2012 McGrail ..... D24/137

**1 Claim, 6 Drawing Sheets**



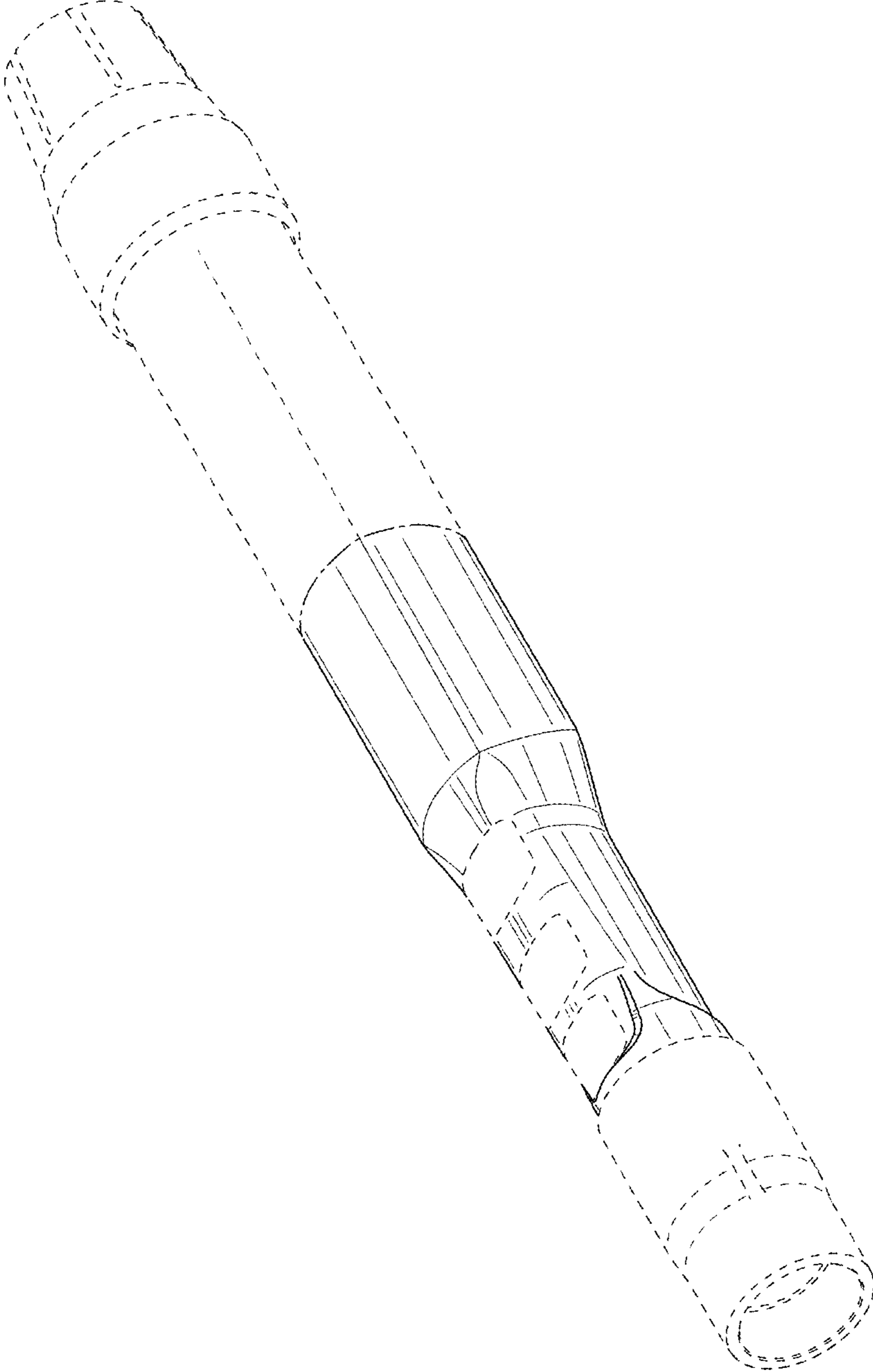
(56)

**References Cited**

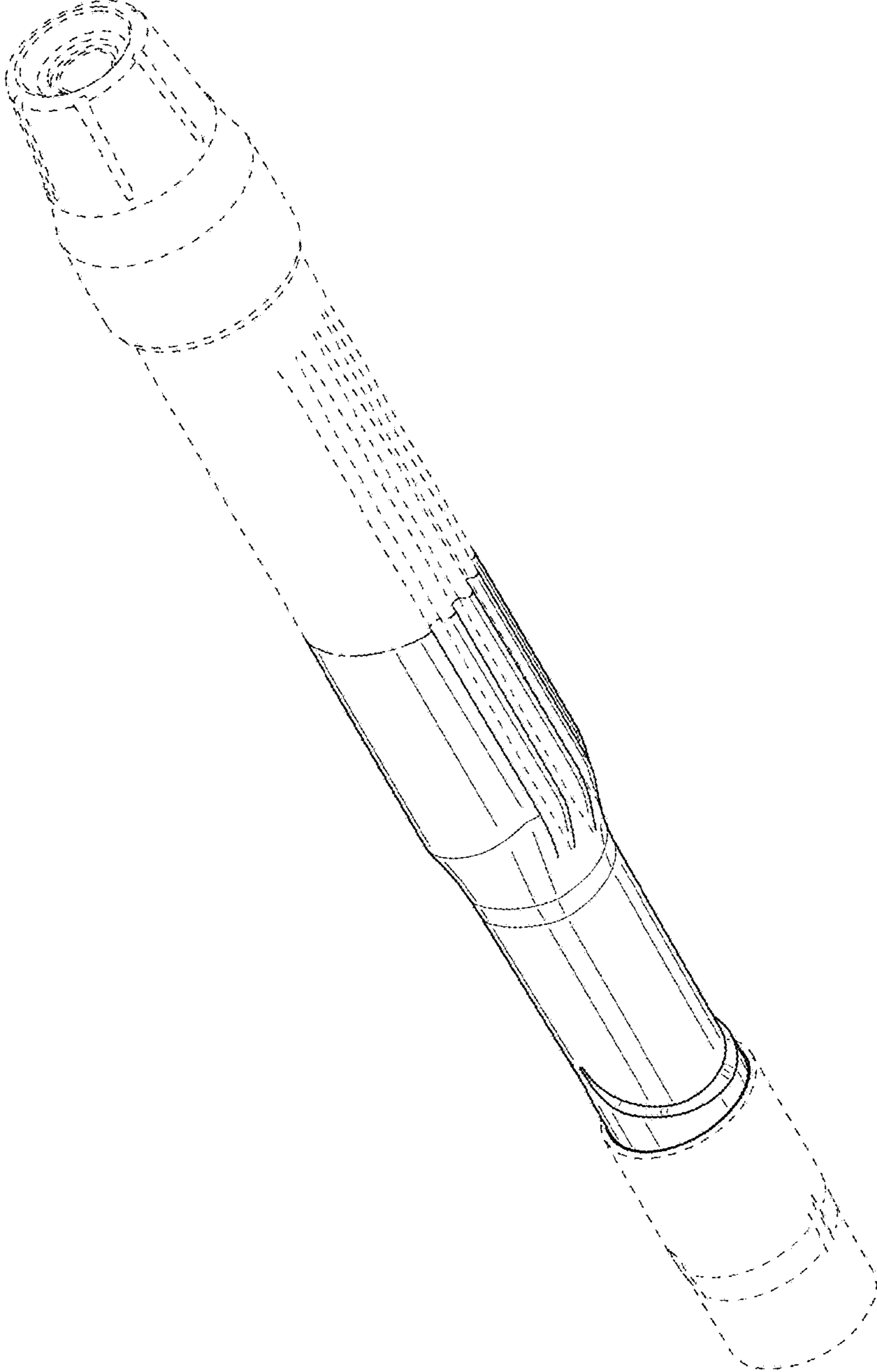
U.S. PATENT DOCUMENTS

D752,882 S *	4/2016	Chang .....	D4/138
D787,055 S *	5/2017	Ingman .....	D24/133
D787,294 S *	5/2017	Bast .....	D8/107
D790,059 S *	6/2017	Osada .....	D24/138
D795,424 S *	8/2017	Sloss .....	D24/138

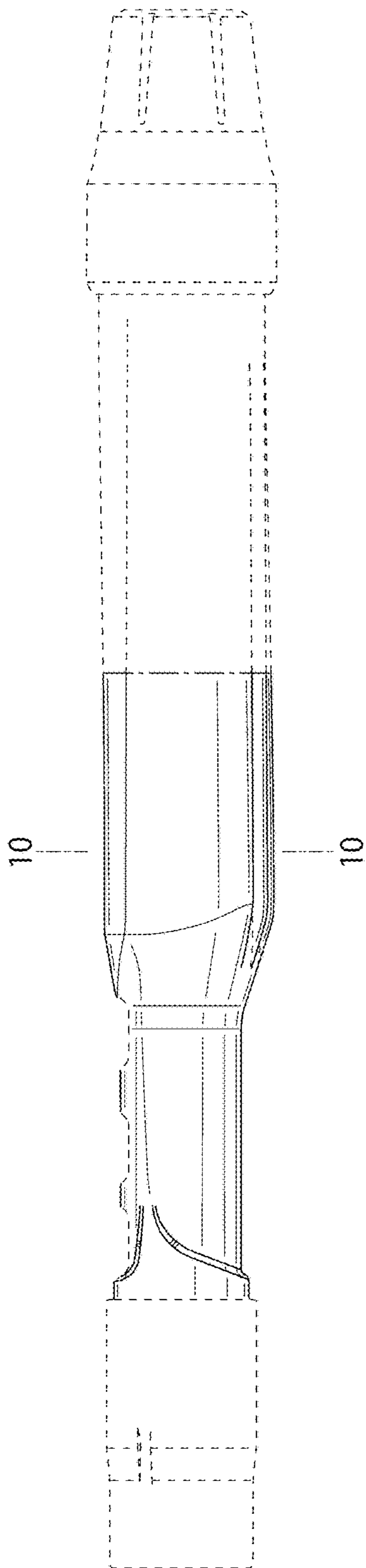
\* cited by examiner



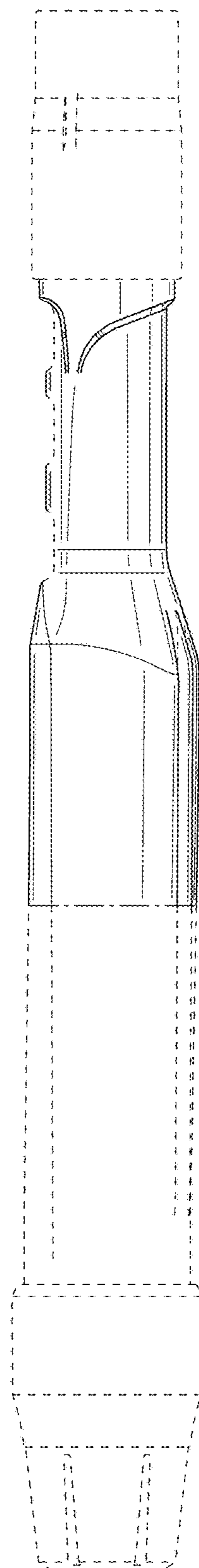
*Fig. 1*



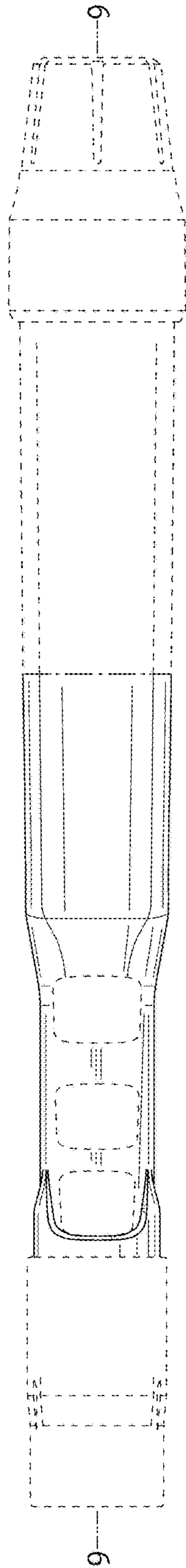
*Fig. 2*



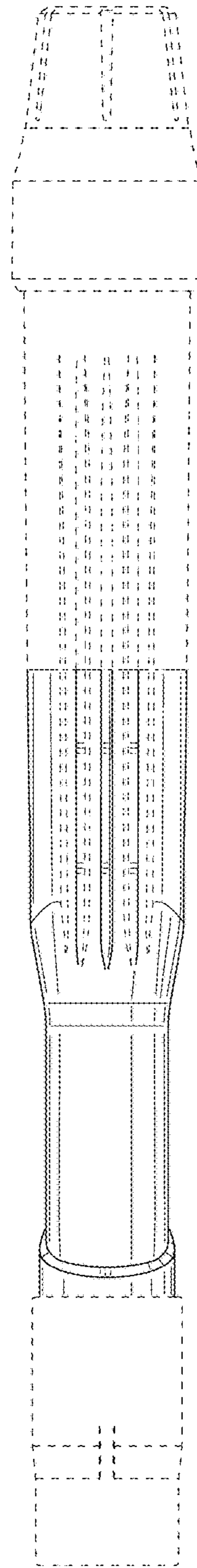
*Fig. 3*



*Fig. 4*

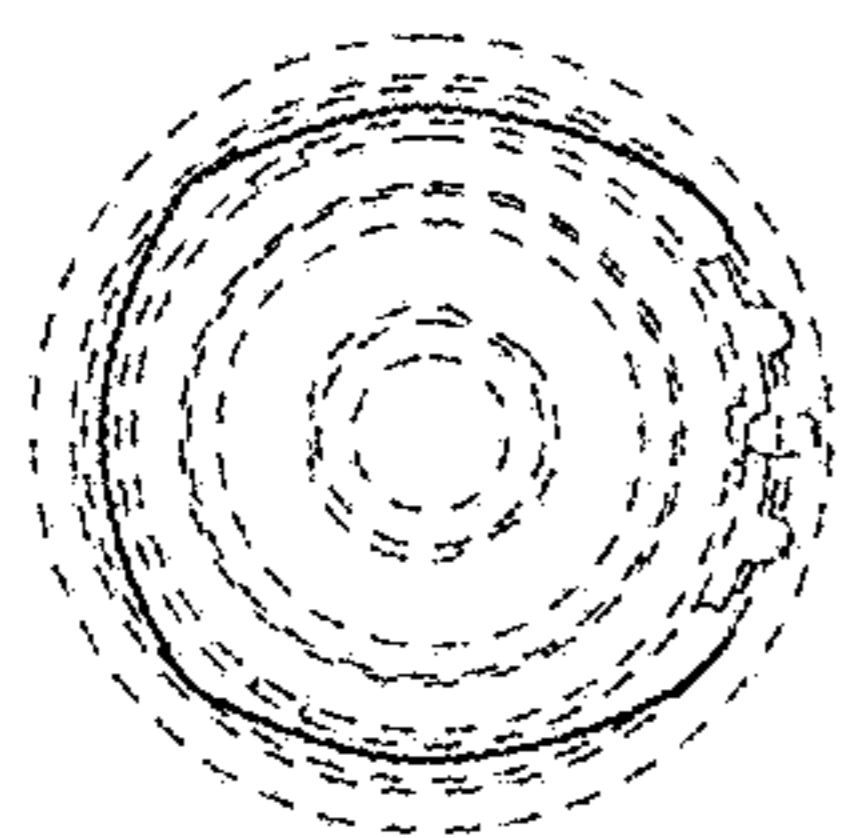


*Fig. 5*

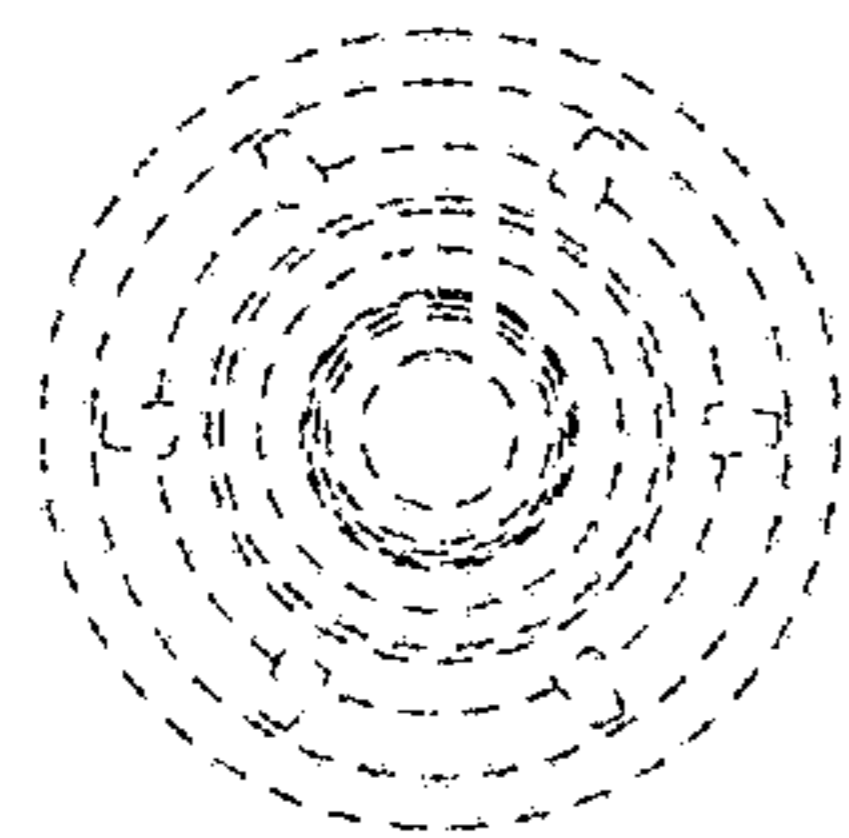


*Fig. 6*

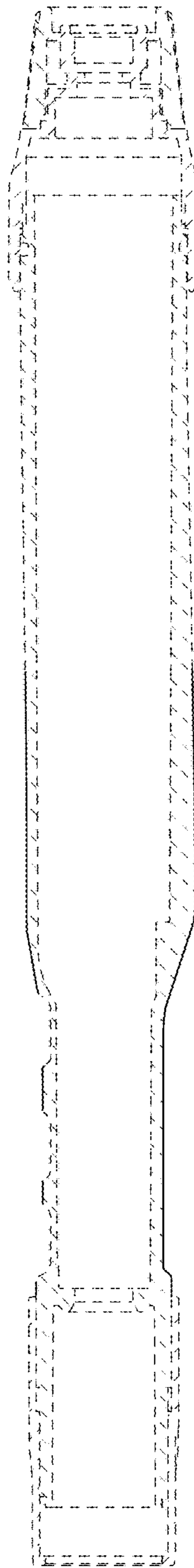




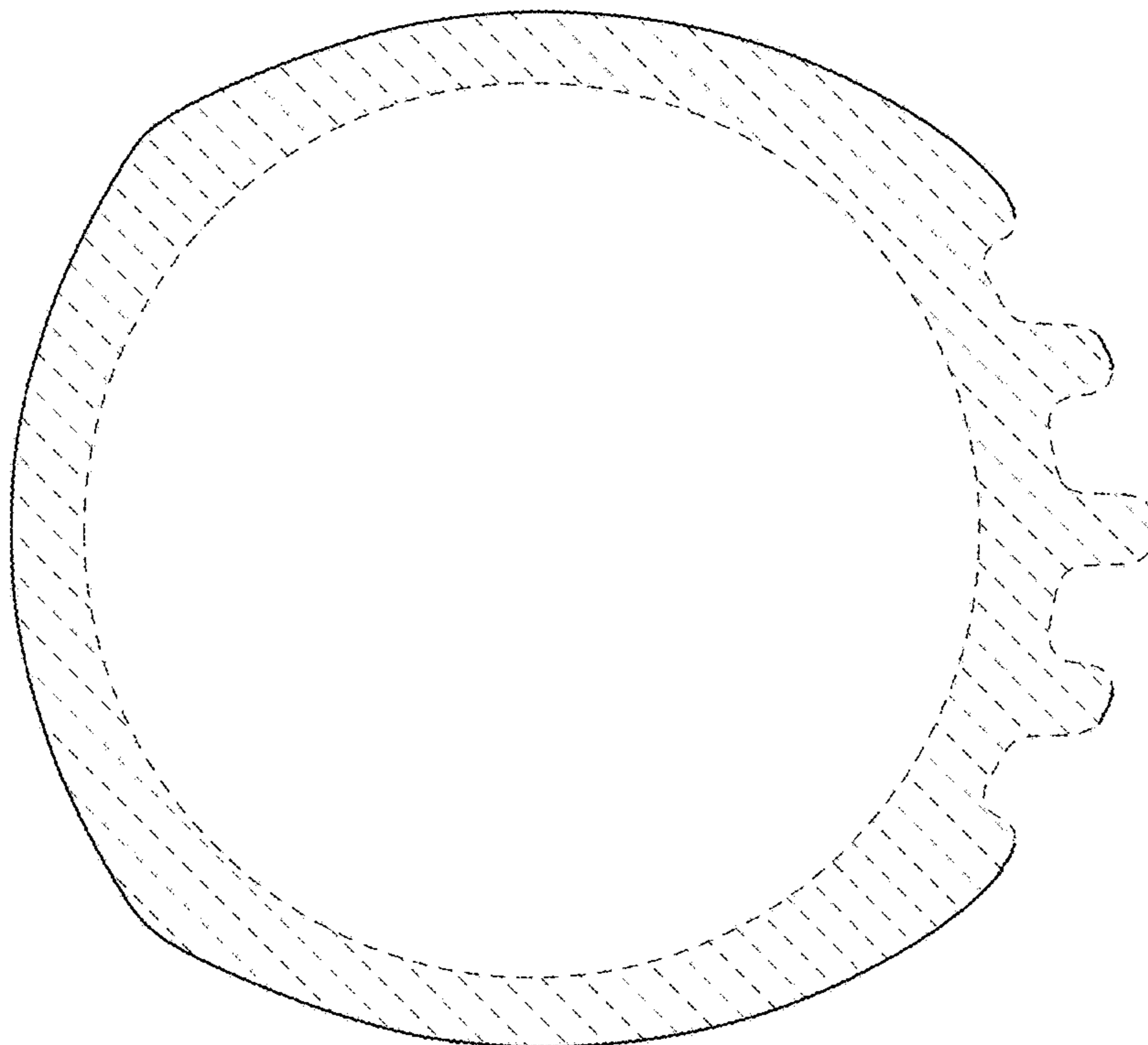
*Fig. 7*



*Fig. 8*



*Fig. 9*



*Fig. 10*