



US00D842989S

(12) **United States Design Patent**
Theobald et al.

(10) **Patent No.:** **US D842,989 S**
(45) **Date of Patent:** **** Mar. 12, 2019**

(54) **SURGICAL INSTRUMENT**

(71) Applicant: **Exactech, Inc.**, Gainesville, FL (US)
(72) Inventors: **Morganne Theobald**, Gainesville, FL (US); **C. Michael Mauldin**, Lake City, FL (US); **Bo Gao**, Gainesville, FL (US)

(73) Assignee: **Exactech, Inc.**, Gainesville, FL (US)

(**) Term: **15 Years**

(21) Appl. No.: **29/604,802**

(22) Filed: **May 19, 2017**

(51) **LOC (11) Cl.** **24-02**

(52) **U.S. Cl.**
USPC **D24/133**

(58) **Field of Classification Search**
USPC D24/133, 138, 137, 135, 140, 147;
D8/303, 313, 107, 82
CPC A61F 2002/9517; A61F 2002/9522; A61F
2002/9528; A61F 2002/9534; A61F
2002/9665; A61B 1/267; A61B 1/2673;
A61B 1/2676; A61B 1/00; A61B
1/00052; A61B 1/00066; A61B 5/0077;
A61B 19/5223; A61B 19/5225; A61B
1/04; A61B 8/5215; A61B 17/16; A61B
17/3468; G02B 23/24

See application file for complete search history.

(56) **References Cited**

U.S. PATENT DOCUMENTS

D152,155 S * 12/1948 Jacoff D8/82
D518,175 S * 3/2006 Hardin, Jr. D24/133
D531,480 S * 11/2006 Tsai D8/107
D557,414 S * 12/2007 Wentling D24/130
D616,089 S * 5/2010 Van der Stappen D24/113
D617,169 S * 6/2010 Robinson D8/107

D648,851 S * 11/2011 Copeland D24/112
D677,790 S * 3/2013 Little A61M 37/0076
D24/133
D697,782 S * 1/2014 Lee D8/107
D715,125 S * 10/2014 Hung D8/107
D776,259 S * 1/2017 Eldredge D24/112
D776,260 S * 1/2017 Eldredge D24/112
D788,909 S * 6/2017 Ratjen D24/113

OTHER PUBLICATIONS

Kershaw. Link: <https://kershaw.kaiusaltd.com/knives/knife/camp-10>. Visited Sep. 24, 2018. Camp 10 knife. (Year: 2018).*

* cited by examiner

Primary Examiner — Bridget L Eland
Assistant Examiner — Lauren D McVey

(74) *Attorney, Agent, or Firm* — Greenberg Traurig, LLP

(57) **CLAIM**

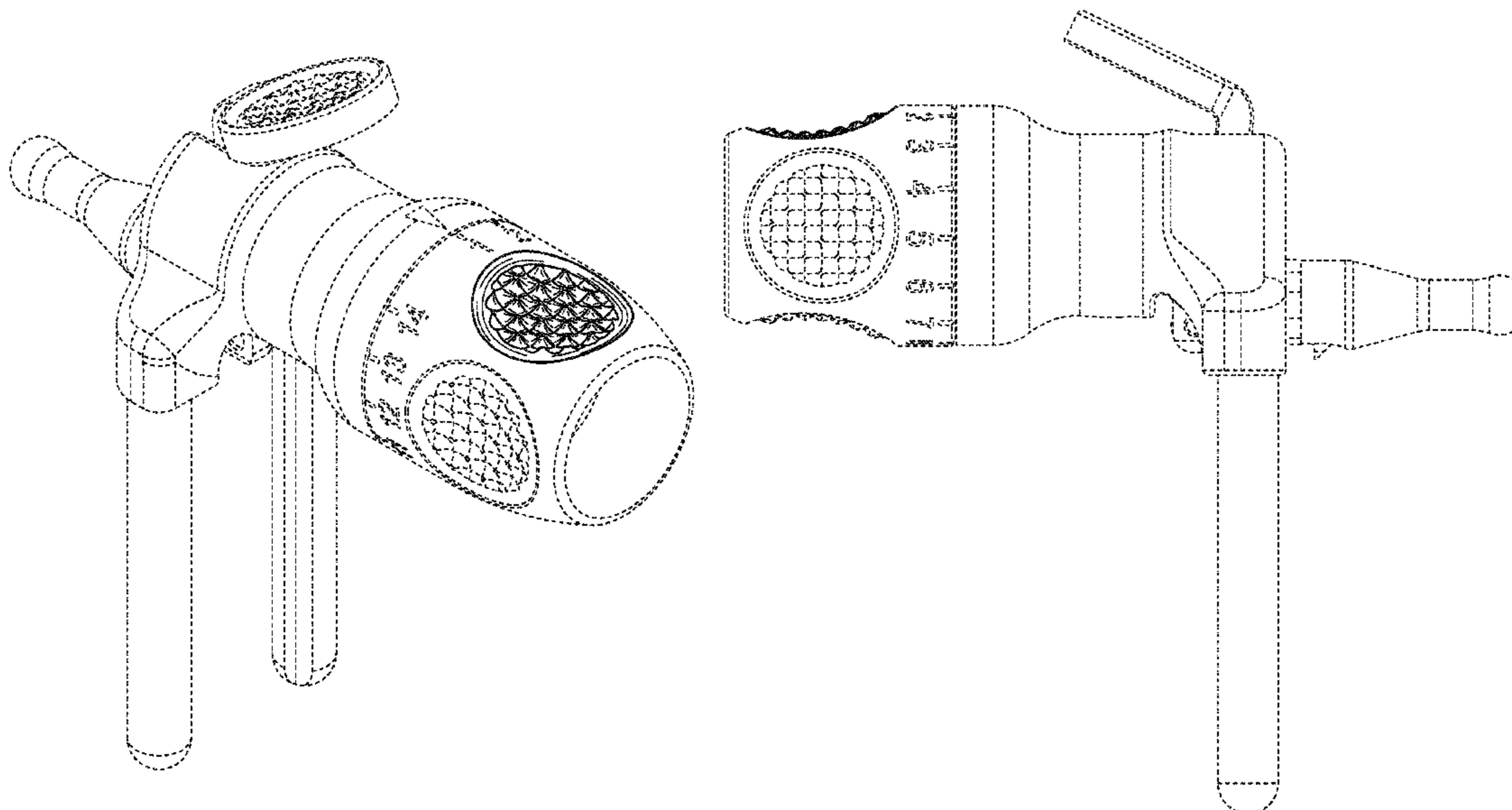
The ornamental design for a surgical instrument, as shown and described.

DESCRIPTION

FIG. 1 is a perspective view of a surgical instrument showing my new design;
FIG. 2 is a front elevation view thereof;
FIG. 3 is a rear elevation view thereof;
FIG. 4 is a left side elevation view thereof;
FIG. 5 is a right side elevation view thereof;
FIG. 6 is a top plan view thereof; and,
FIG. 7 is a bottom plan view thereof.

The broken lines are directed to environment and are for illustrative purposes only; the broken lines form no part of the claimed design. In addition, the unshaded surface that directly adjoins the claimed solid line edge forms no part for the claimed design.

1 Claim, 5 Drawing Sheets



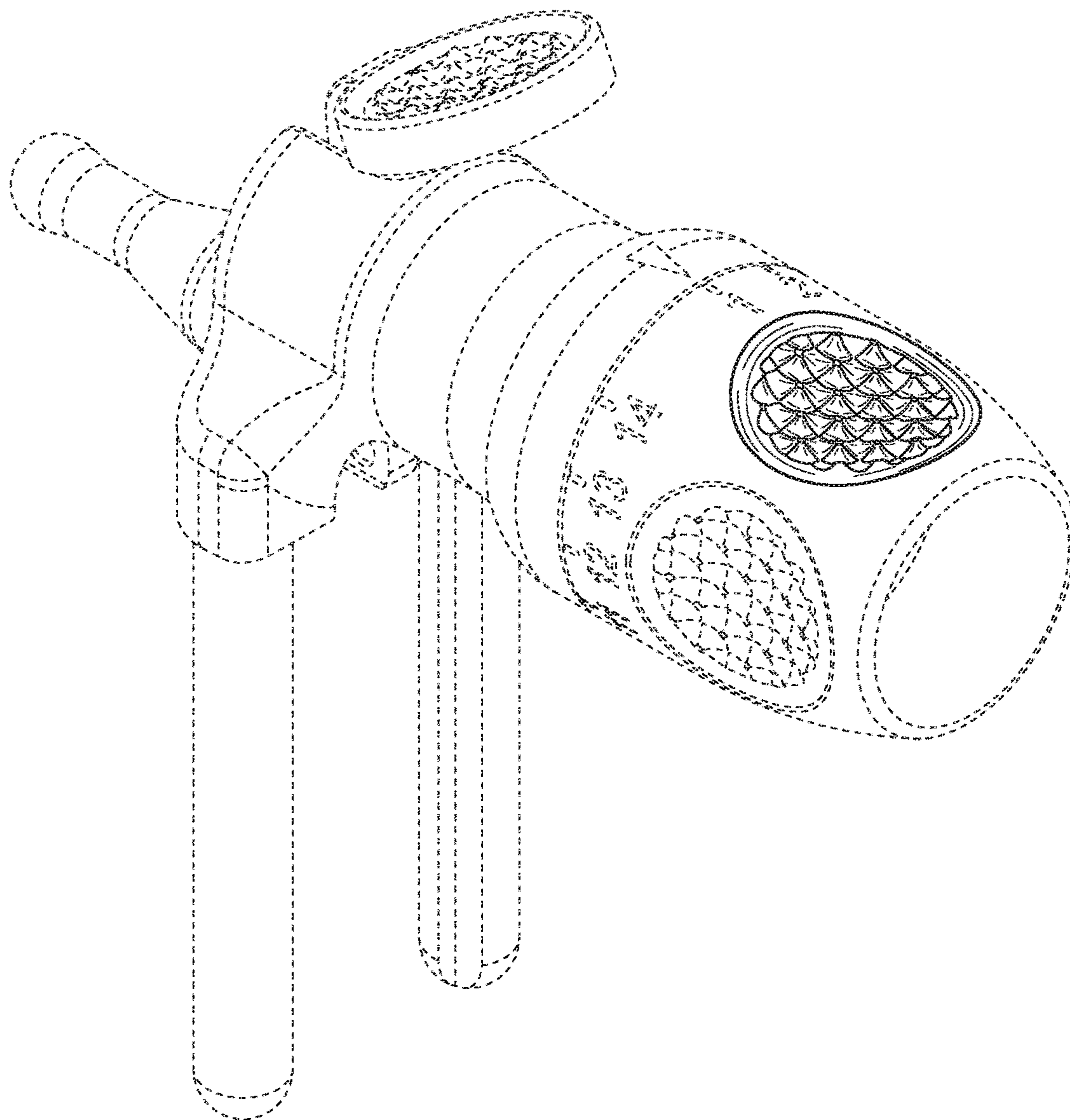


FIG. 1

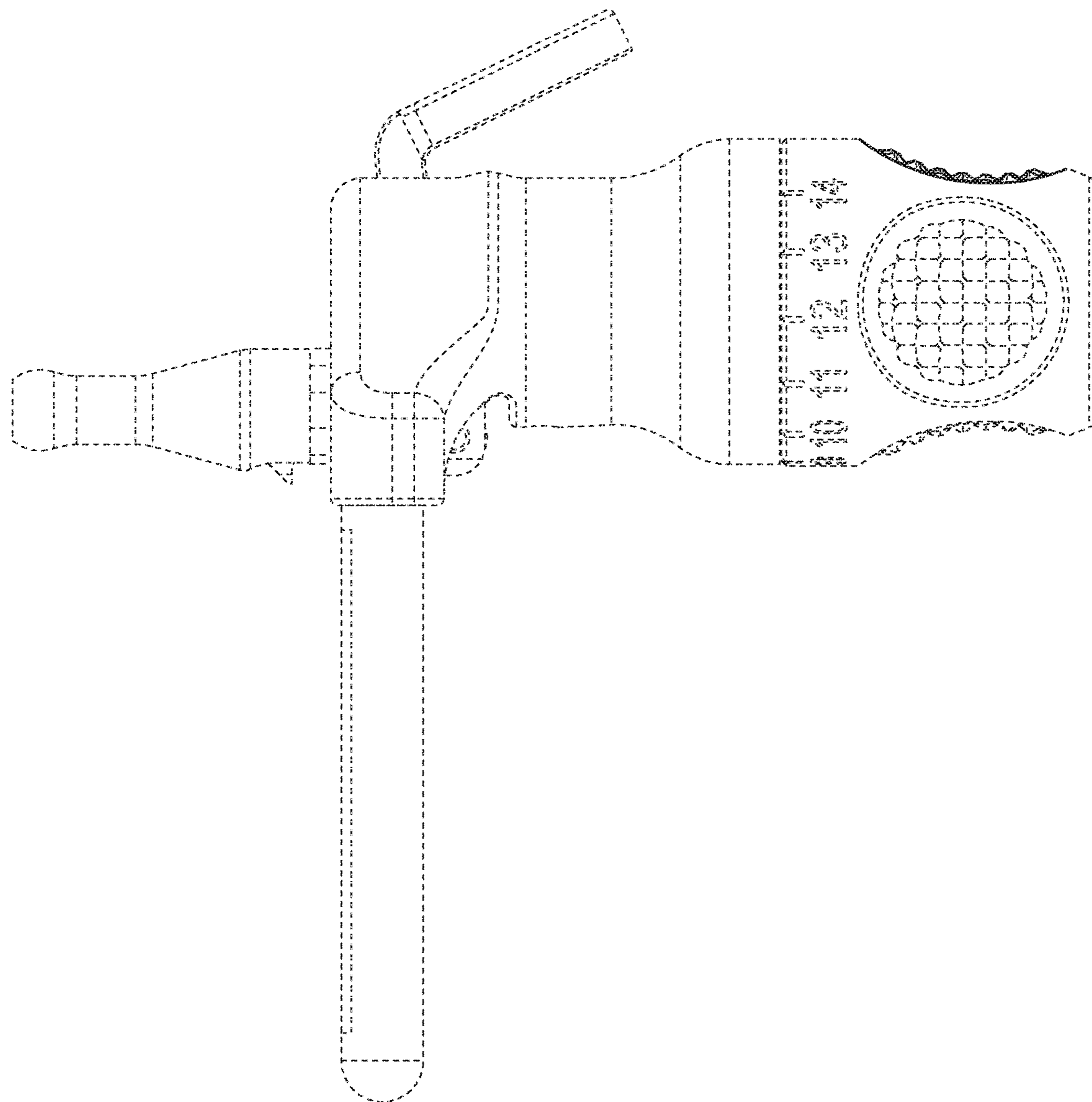


FIG. 2

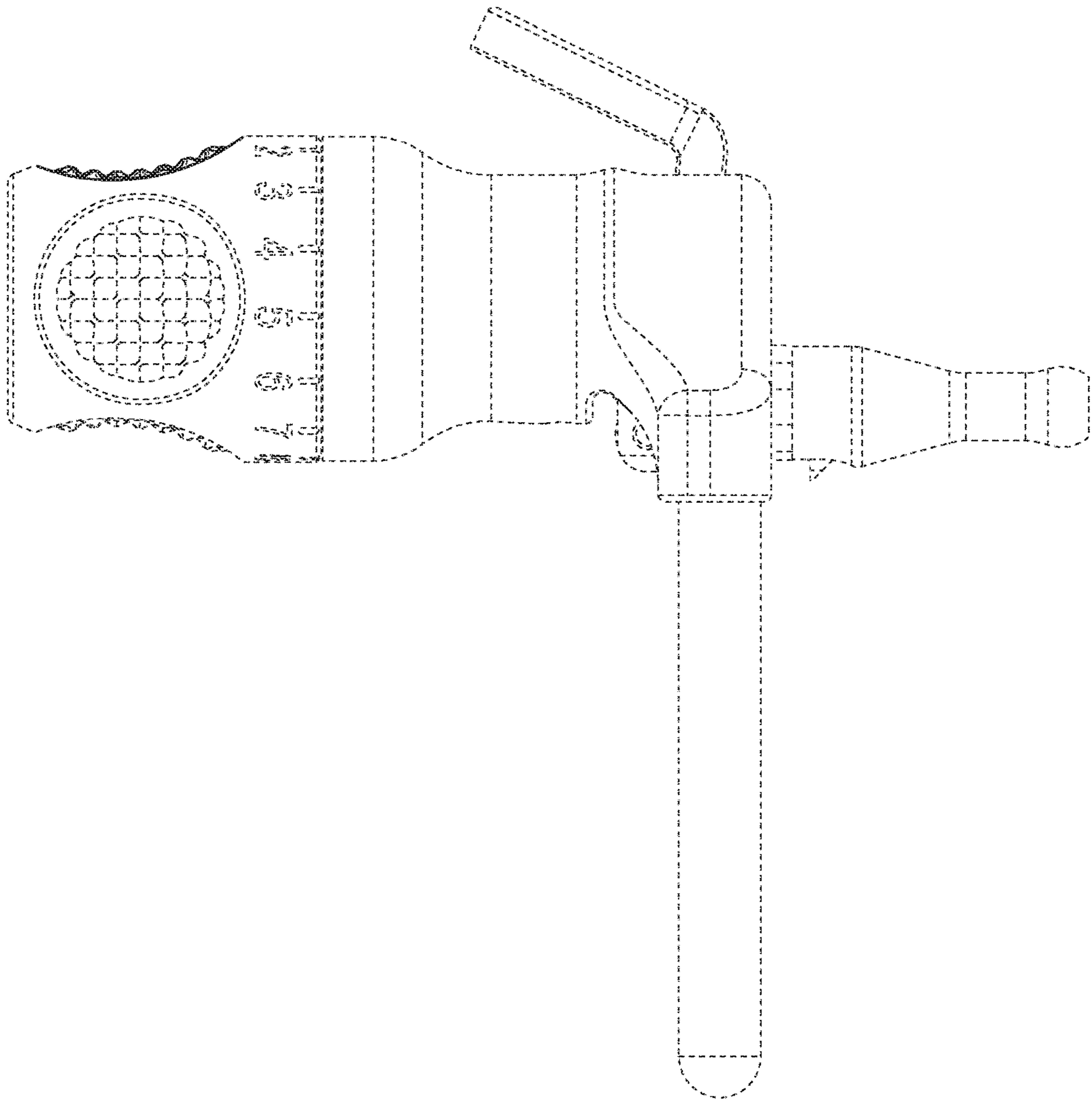


FIG. 3

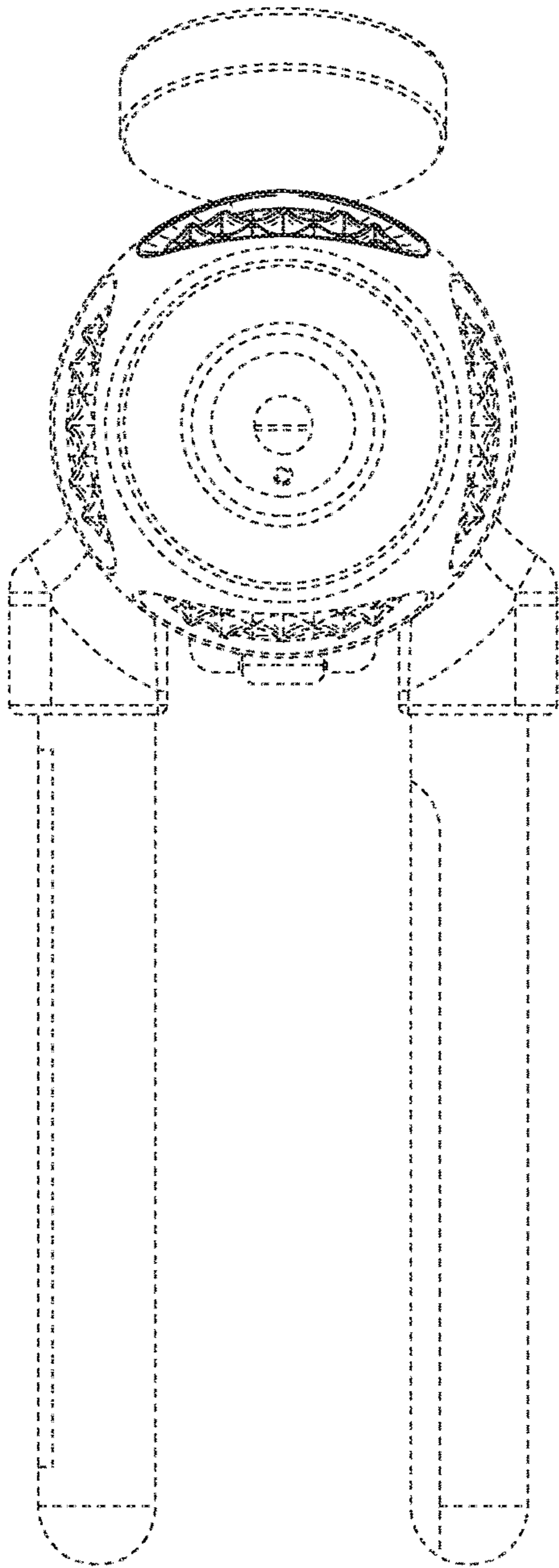


FIG. 4

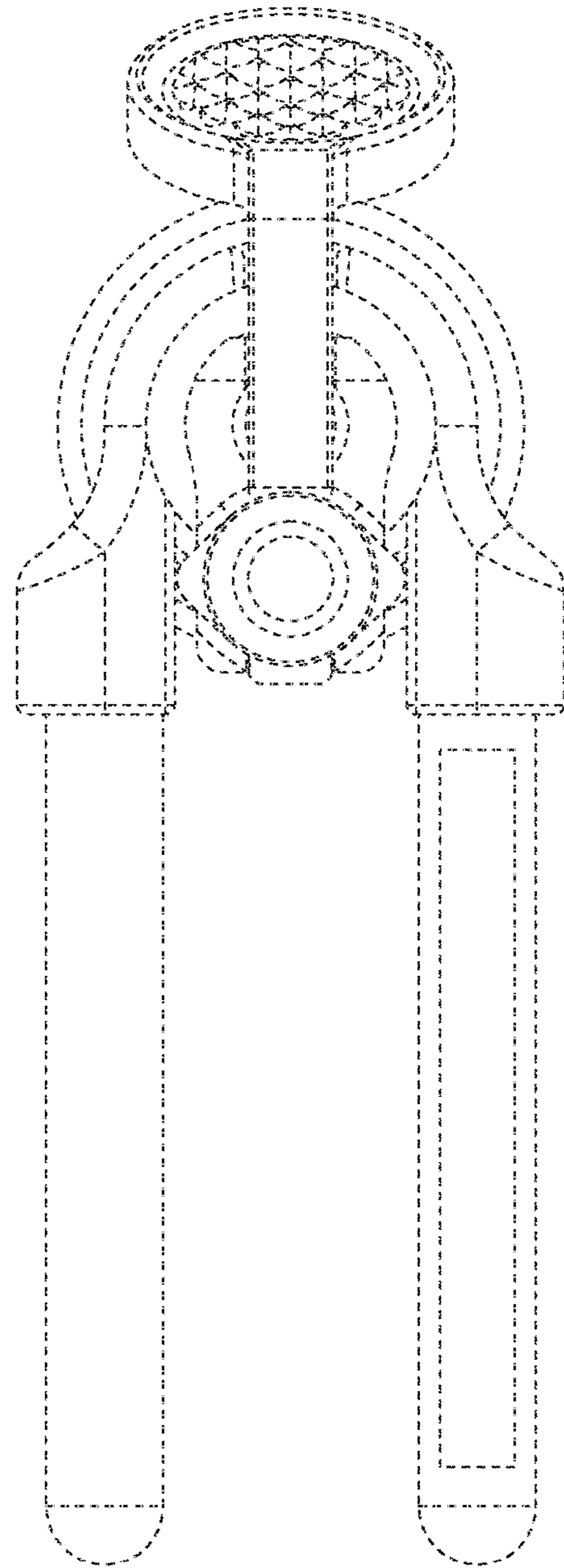


FIG. 5

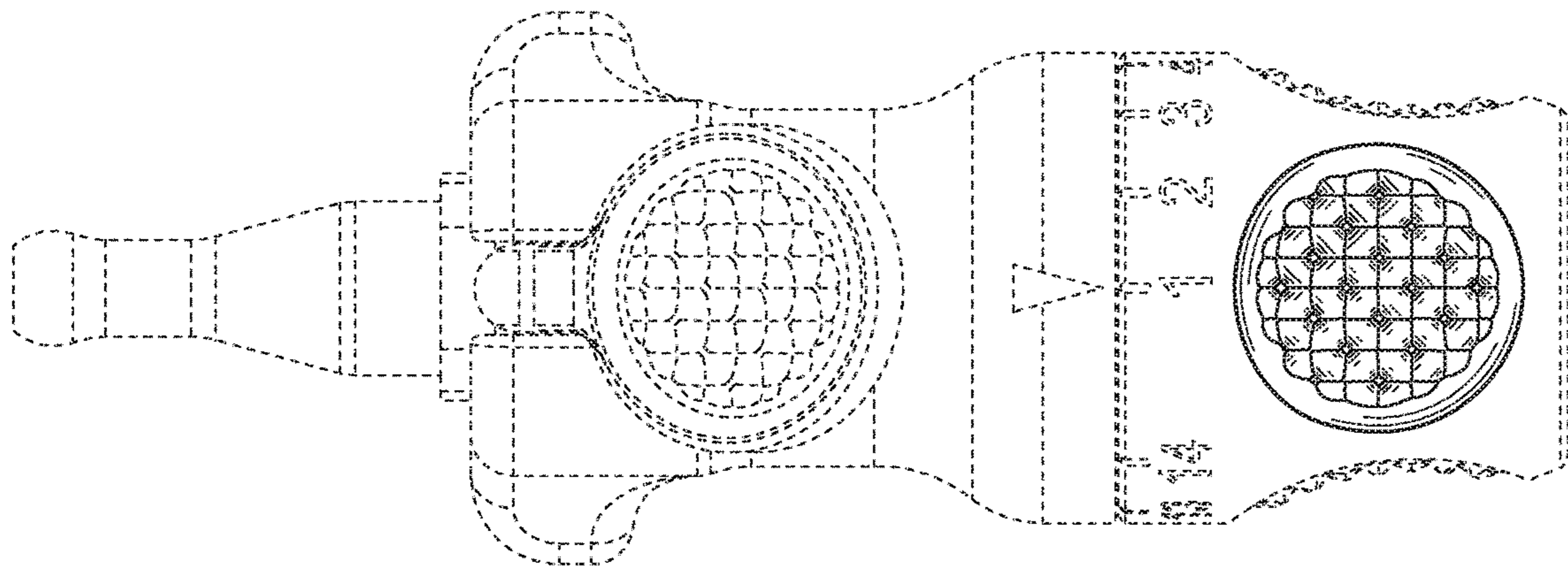


FIG. 6

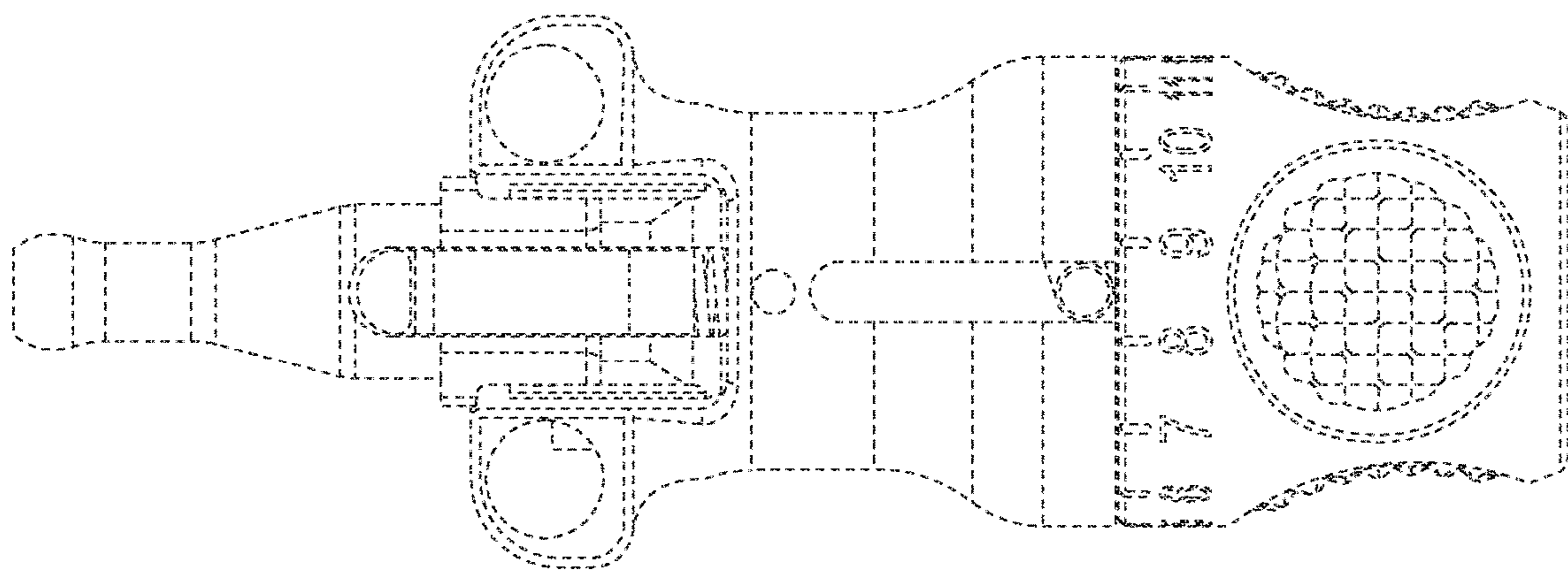


FIG. 7