



US00D842988S

(12) **United States Design Patent**
Theobald et al.

(10) **Patent No.:** **US D842,988 S**
(45) **Date of Patent:** **** Mar. 12, 2019**

- (54) **SURGICAL INSTRUMENT**
- (71) Applicant: **Exactech, Inc.**, Gainesville, FL (US)
- (72) Inventors: **Morganne Theobald**, Gainesville, FL (US); **C. Michael Mauldin**, Lake City, FL (US); **Bo Gao**, Gainesville, FL (US)
- (73) Assignee: **Exactech, Inc.**, Gainesville, FL (US)
- (**) Term: **15 Years**
- (21) Appl. No.: **29/604,798**
- (22) Filed: **May 19, 2017**
- (51) **LOC (11) Cl.** **24-02**
- (52) **U.S. Cl.**
USPC **D24/133**
- (58) **Field of Classification Search**
USPC D24/140, 133, 138, 137, 135, 147;
D8/303, 313
CPC A61F 2002/9517; A61F 2002/9522; A61F
2002/9528; A61F 2002/9534; A61F
2002/9665; A61B 1/267; A61B 1/2673;
A61B 1/2676; A61B 1/00; A61B
1/00052; A61B 1/00066; A61B 5/0077;
A61B 19/5223; A61B 19/5225; A61B
1/04; A61B 8/5215; A61B 17/16; A61B
17/3468; G02B 23/24
See application file for complete search history.

D685,909 S *	7/2013	Lomicka	D24/140
D748,786 S *	2/2016	Bailey	D24/140
D776,259 S *	1/2017	Eldredge	D24/112
D776,260 S *	1/2017	Eldredge	D24/112

FOREIGN PATENT DOCUMENTS

KR 300561499.0000 * 5/2010

OTHER PUBLICATIONS

Kershaw. Link: <https://kershaw.kaiusaltd.com/knives/knife/camp-10>. Visited Sep. 24, 2018. Camp 10 knife. (Year: 2018).*

* cited by examiner

Primary Examiner — Bridget L Eland
Assistant Examiner — Lauren D McVey
(74) *Attorney, Agent, or Firm* — Greenberg Traurig, LLP

(57) **CLAIM**

The ornamental design for a surgical instrument, as shown and described.

DESCRIPTION

FIG. 1 is a perspective view of a surgical instrument showing my new design;
FIG. 2 is a front elevation view thereof;
FIG. 3 is a rear elevation view thereof;
FIG. 4 is a left side elevation view thereof;
FIG. 5 is a right side elevation view thereof;
FIG. 6 is a top plan view thereof; and,
FIG. 7 is a bottom plan view thereof.

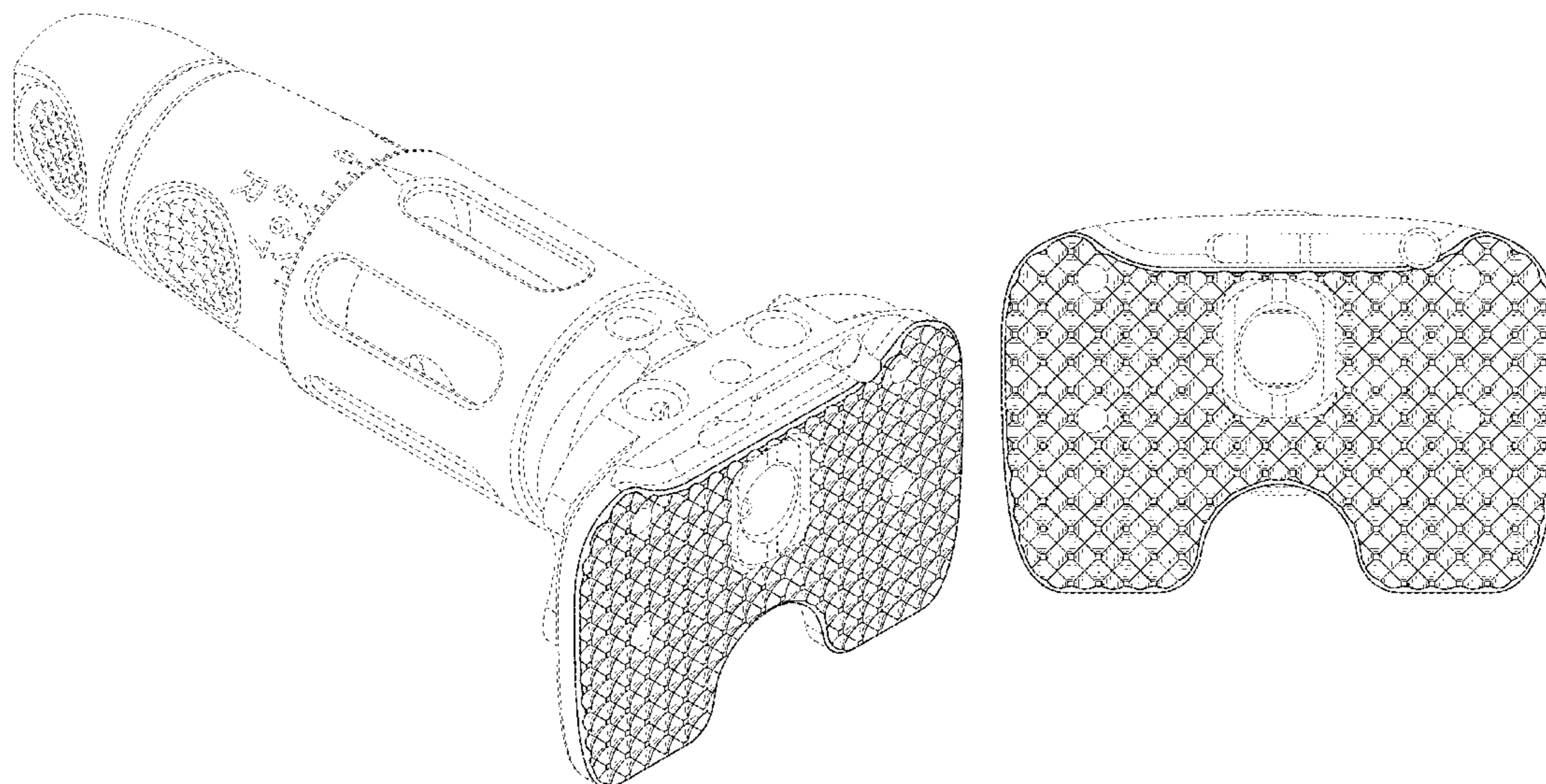
The broken lines immediately adjacent the shaded areas represent the bounds of the claimed design while all other broken lines are directed to environment and are for illustrative purposes only; the broken lines form no part of the claimed design. In addition, the unshaded surface that directly adjoins the claimed solid line edge forms no part for the claimed design.

1 Claim, 5 Drawing Sheets

(56) **References Cited**

U.S. PATENT DOCUMENTS

D217,280 S *	4/1970	Poon	D11/21
D230,096 S *	1/1974	Rylee, II	D24/140
D357,315 S *	4/1995	Dietz	D10/64
D372,309 S *	7/1996	Heldreth	D24/133
D422,359 S *	4/2000	Fitch	D24/133
D439,978 S *	4/2001	Ark	D24/140
D598,094 S *	8/2009	Alber	D24/133
D625,805 S *	10/2010	Hereford	D24/108
D633,035 S *	2/2011	Heine	D13/103



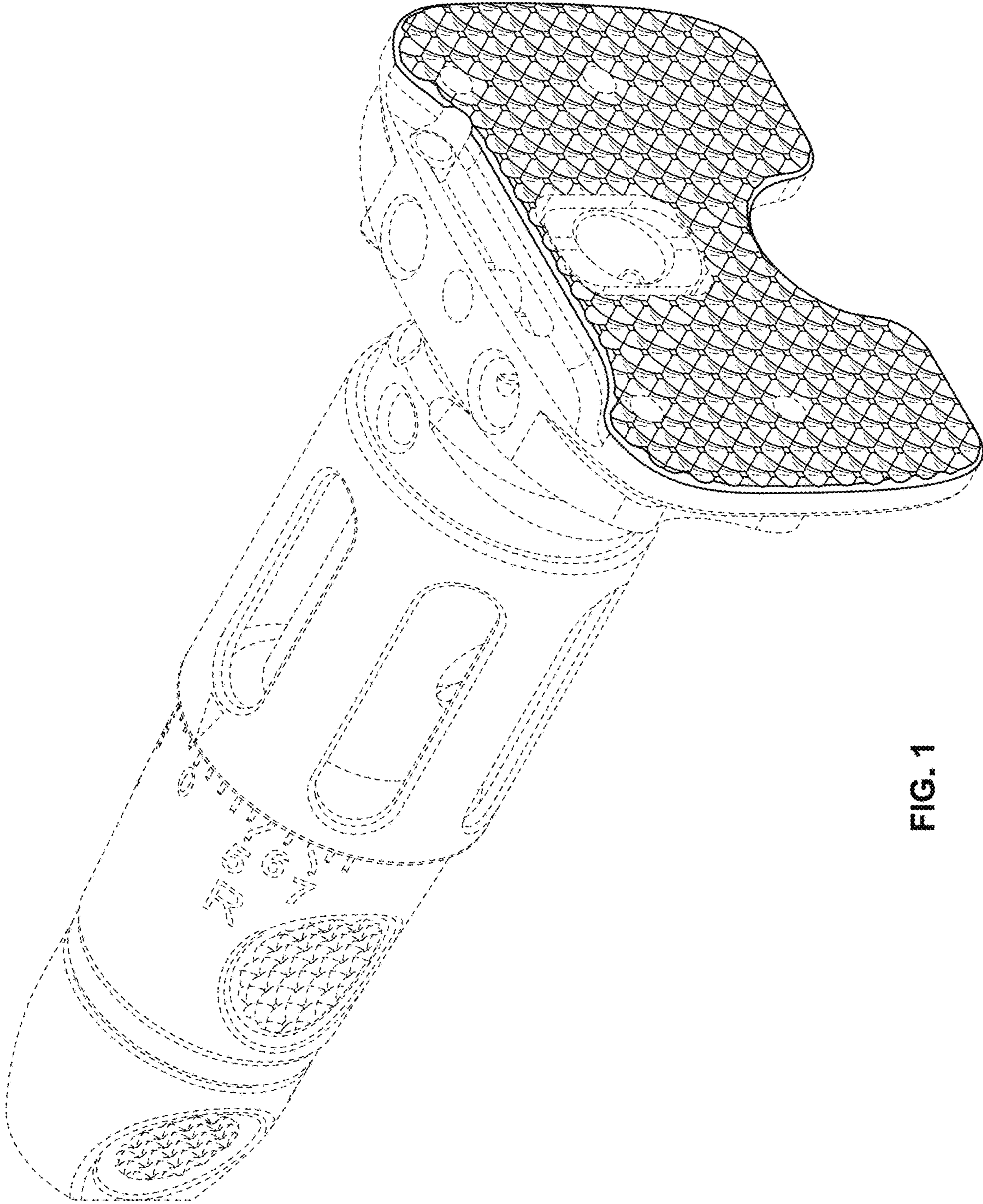
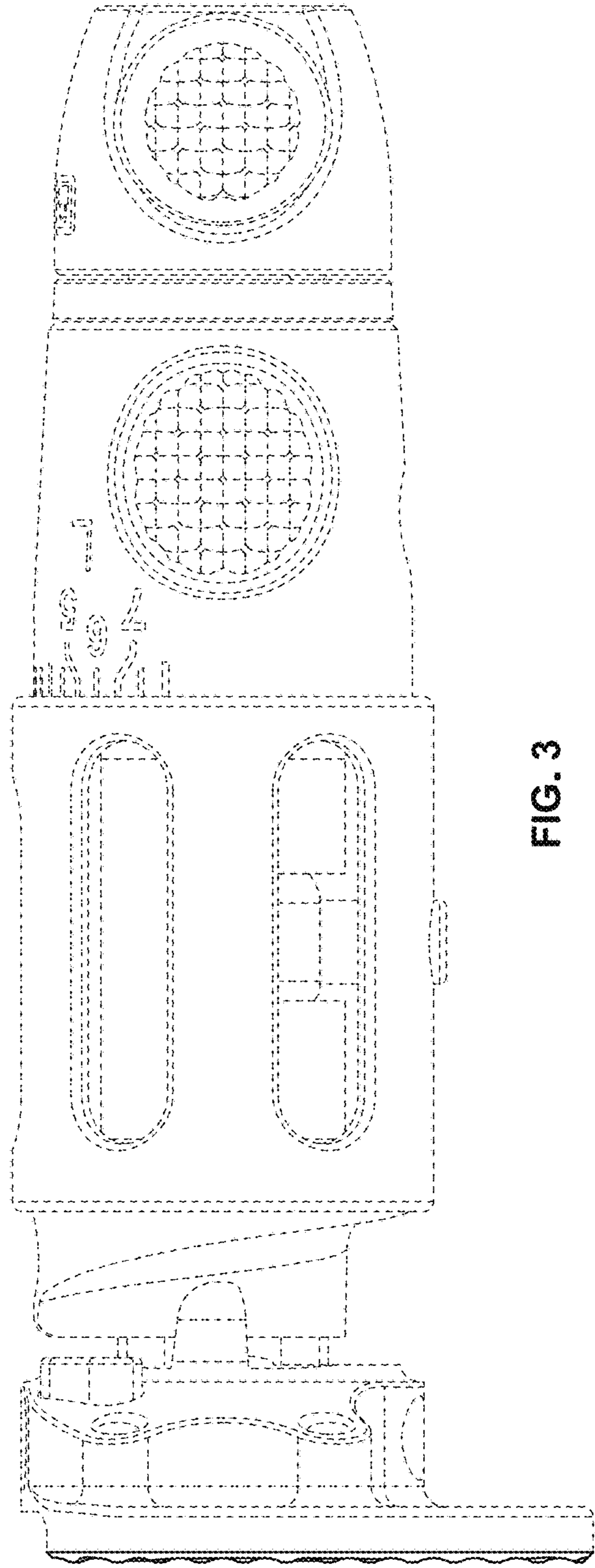
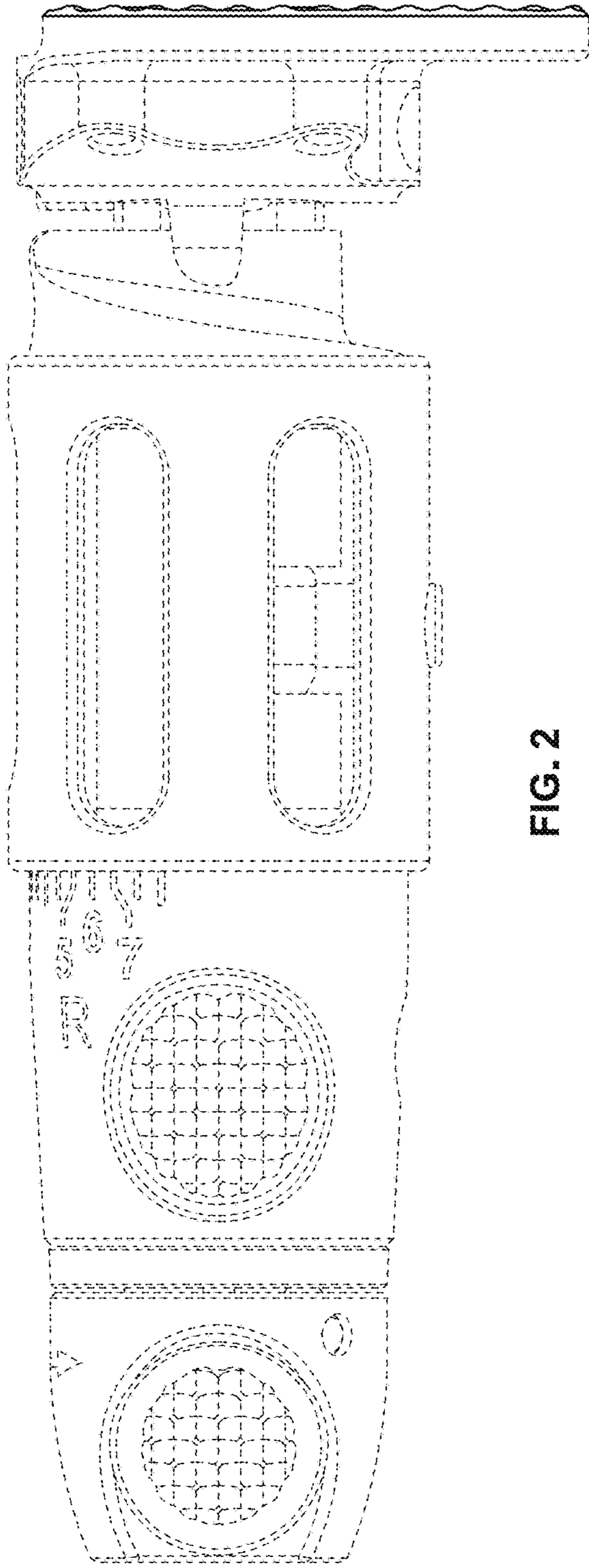


FIG. 1



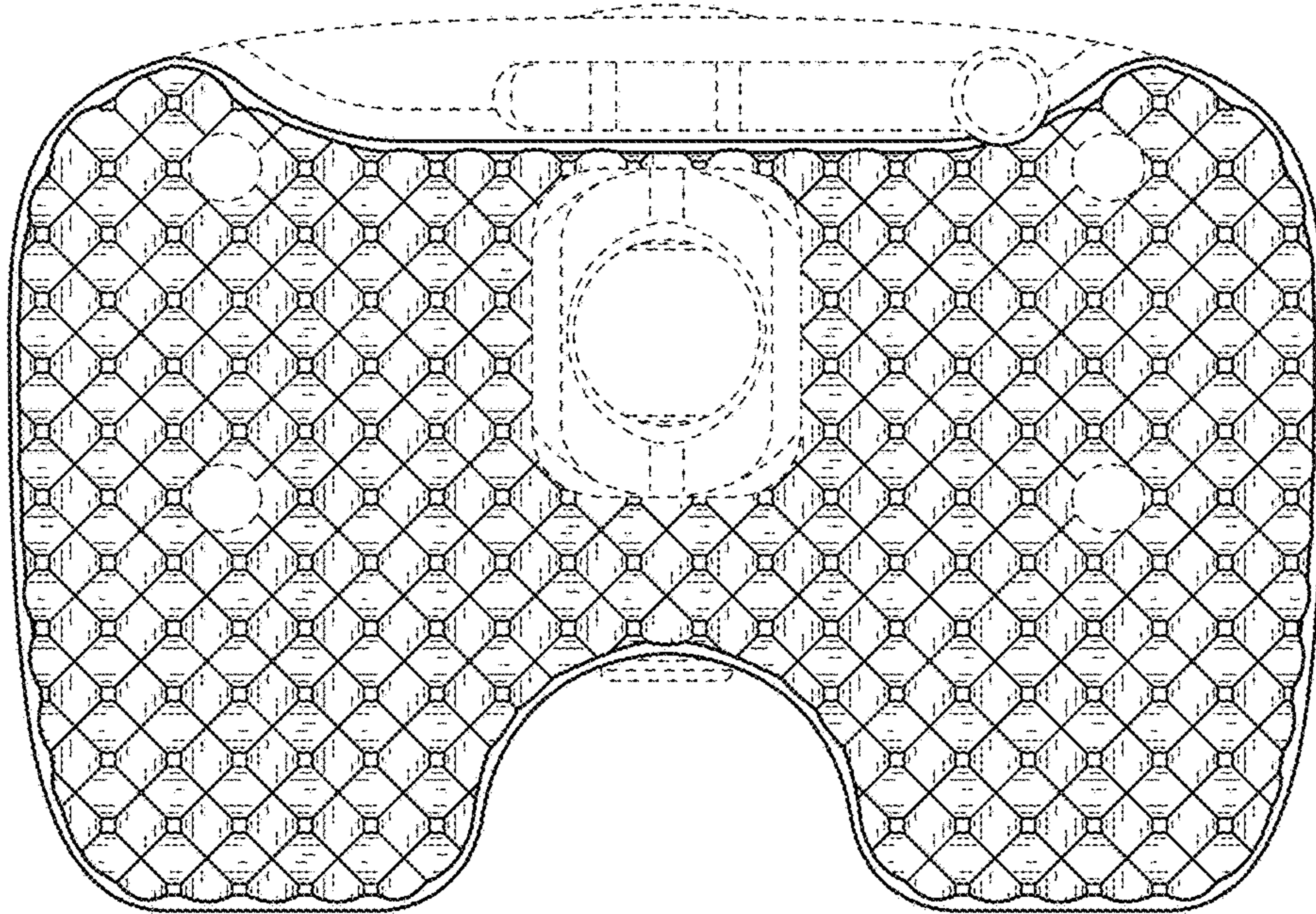


FIG. 4

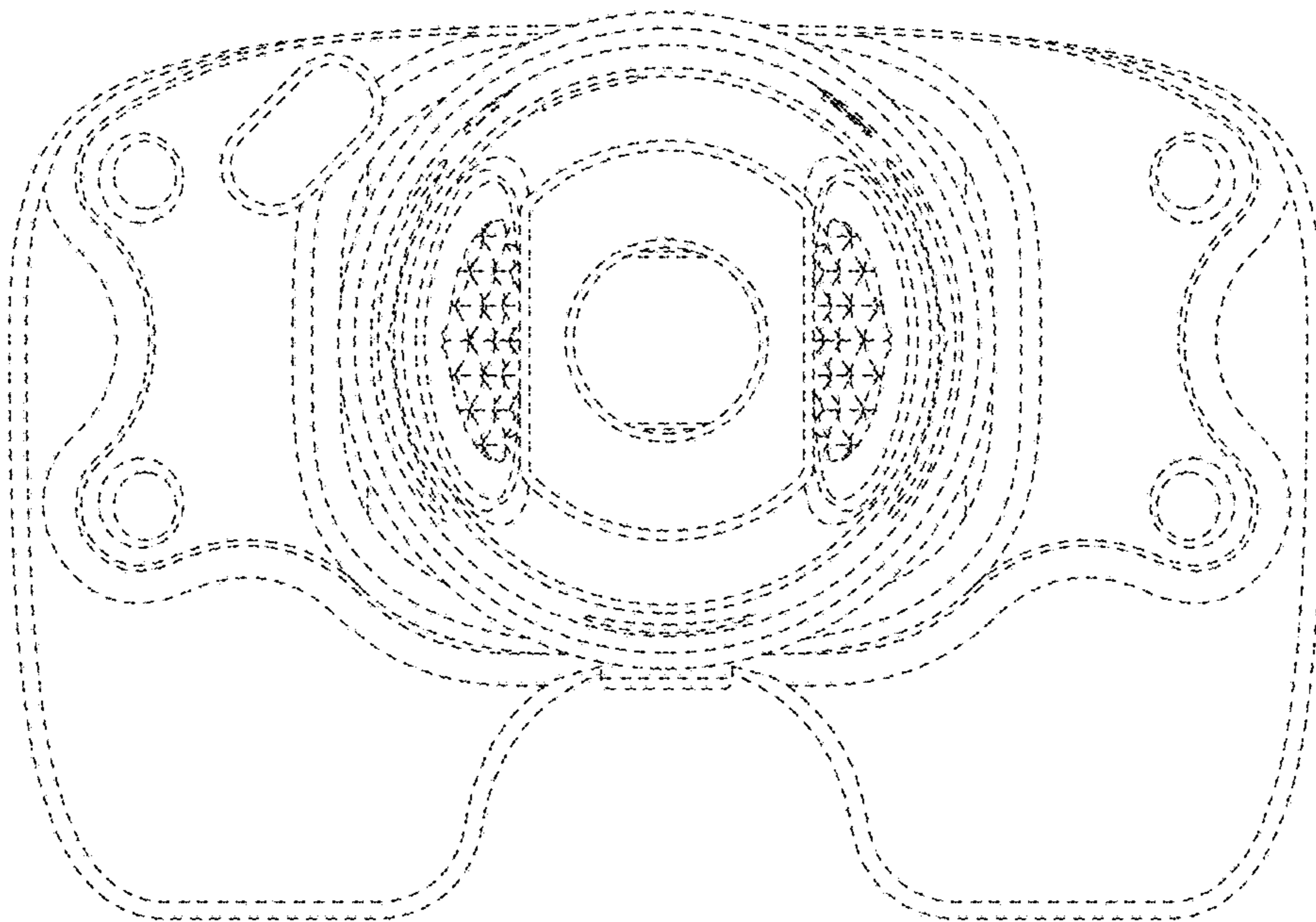


FIG. 5

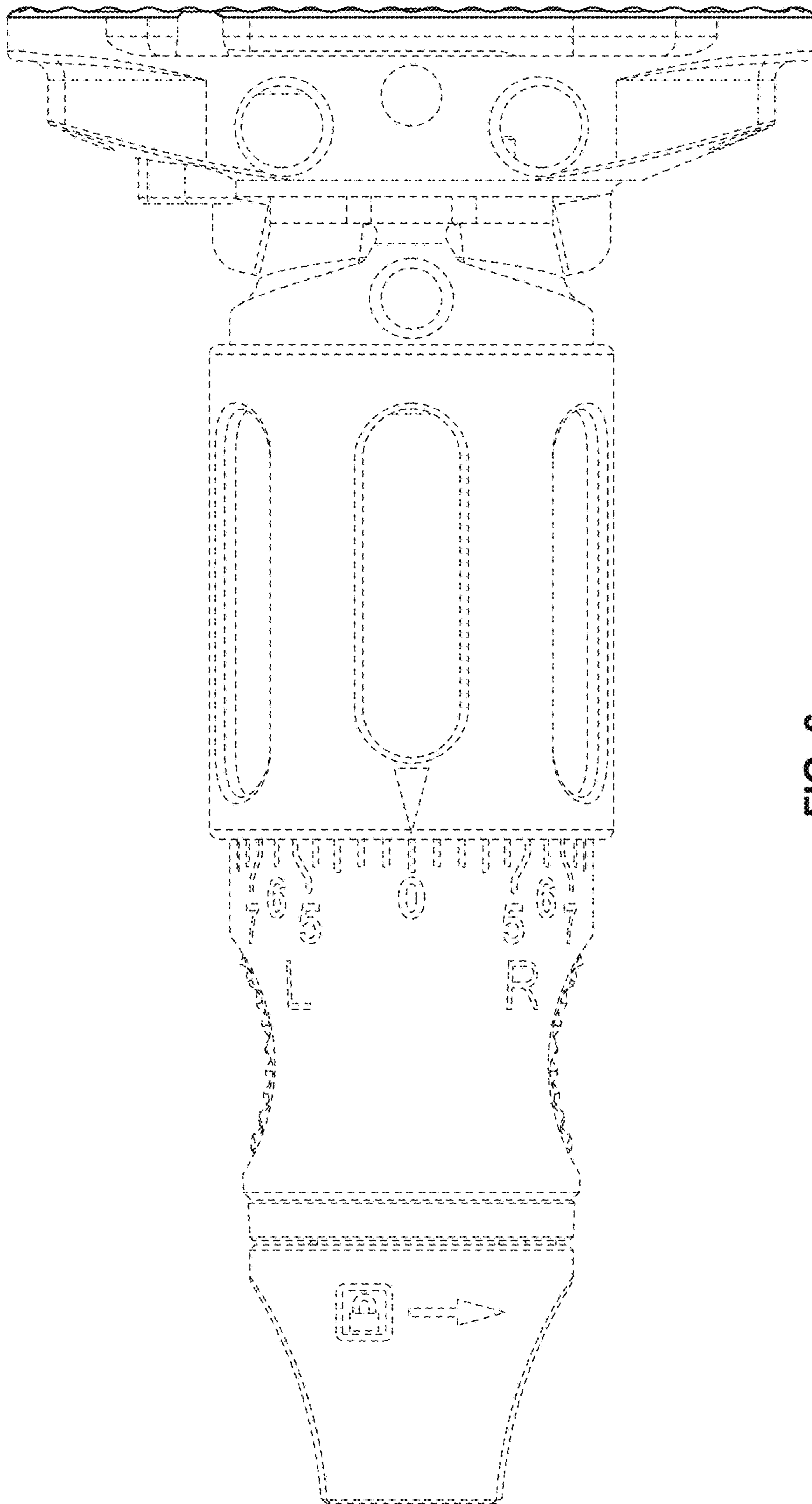


FIG. 6

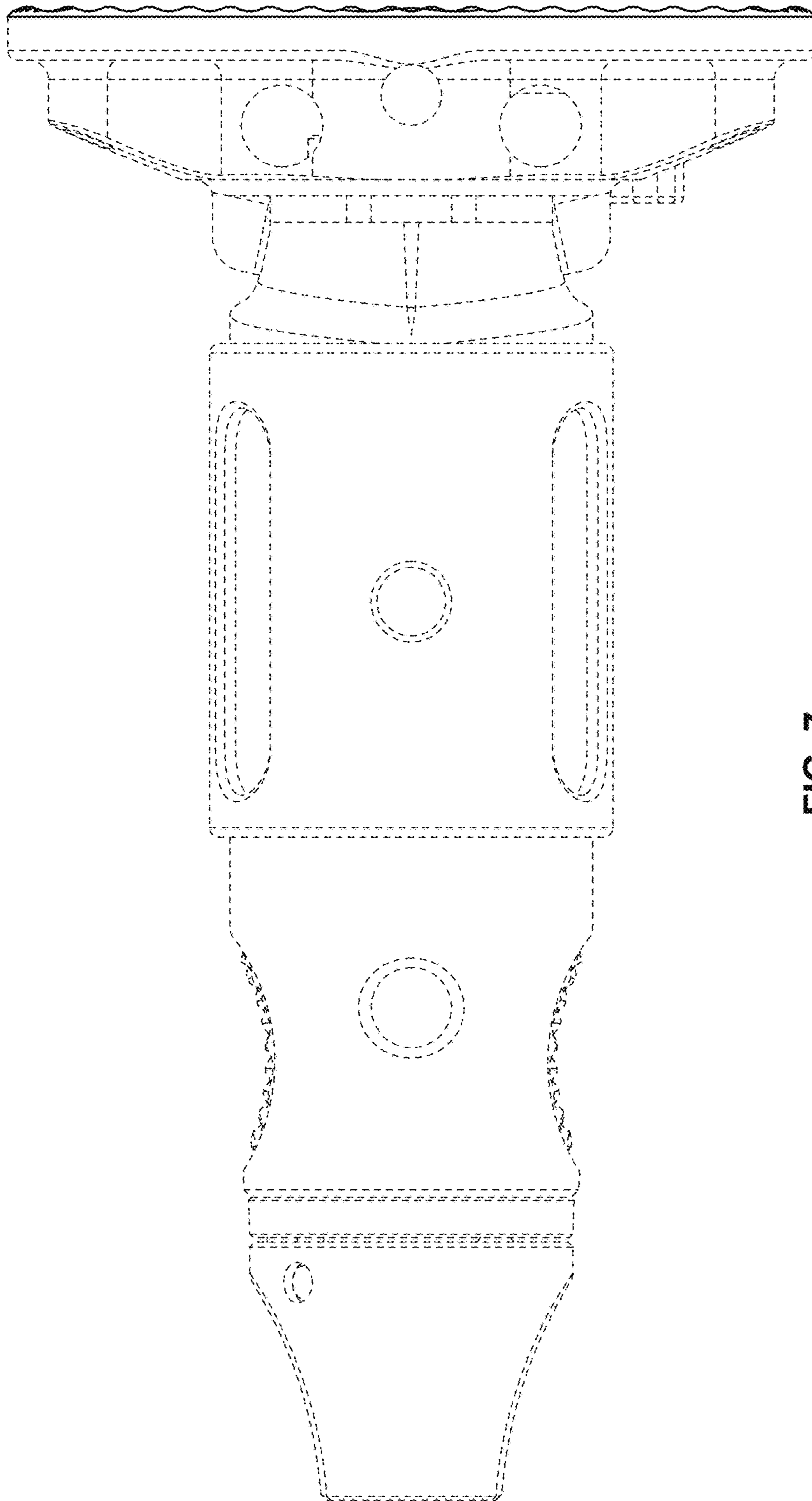


FIG. 7