



US00D842987S

(12) **United States Design Patent** (10) **Patent No.:** **US D842,987 S**
Theobald et al. (45) **Date of Patent:** **** Mar. 12, 2019**

(54) **SURGICAL INSTRUMENT**
(71) Applicant: **Exactech, Inc.**, Gainesville, FL (US)
(72) Inventors: **Morganne Theobald**, Gainesville, FL (US); **C. Michael Mauldin**, Lake City, FL (US); **Bo Gao**, Gainesville, FL (US); **Ben Stewart**, Gainesville, FL (US)

D530,587 S * 10/2006 Saunders D8/107
D617,169 S * 6/2010 Robinson D8/107
D633,035 S * 2/2011 Heine D13/103
D641,870 S * 7/2011 Anglay D24/133
D648,851 S * 11/2011 Copeland D24/112
D704,336 S * 5/2014 Chon D24/133
D776,259 S * 1/2017 Eldredge D24/112
D776,260 S * 1/2017 Eldredge D24/112
D788,909 S * 6/2017 Ratjen D24/113

FOREIGN PATENT DOCUMENTS

(73) Assignee: **Exactech, Inc.**, Gainesville, FL (US)
(**) Term: **15 Years**

CN 304500521 * 2/2018
CN 304515748 * 2/2018
CN 304666563 * 6/2018

* cited by examiner

(21) Appl. No.: **29/604,790**
(22) Filed: **May 19, 2017**
(51) **LOC (11) Cl.** **24-02**
(52) **U.S. Cl.**
USPC **D24/133**

Primary Examiner — Bridget L Eland
Assistant Examiner — Lauren D McVey
(74) *Attorney, Agent, or Firm* — Greenberg Traurig, LLP

(58) **Field of Classification Search**
USPC D24/140, 133, 138, 137, 135, 147;
D8/303, 313
CPC A61F 2002/9517; A61F 2002/9522; A61F
2002/9528; A61F 2002/9534; A61F
2002/9665; A61B 1/267; A61B 1/2673;
A61B 1/2676; A61B 1/00; A61B
1/00052; A61B 1/00066; A61B 5/0077;
A61B 19/5223; A61B 19/5225; A61B
1/04; A61B 8/5215; A61B 17/16; A61B
17/3468; G02B 23/24
See application file for complete search history.

(57) **CLAIM**

The ornamental design for a surgical instrument, as shown and described.

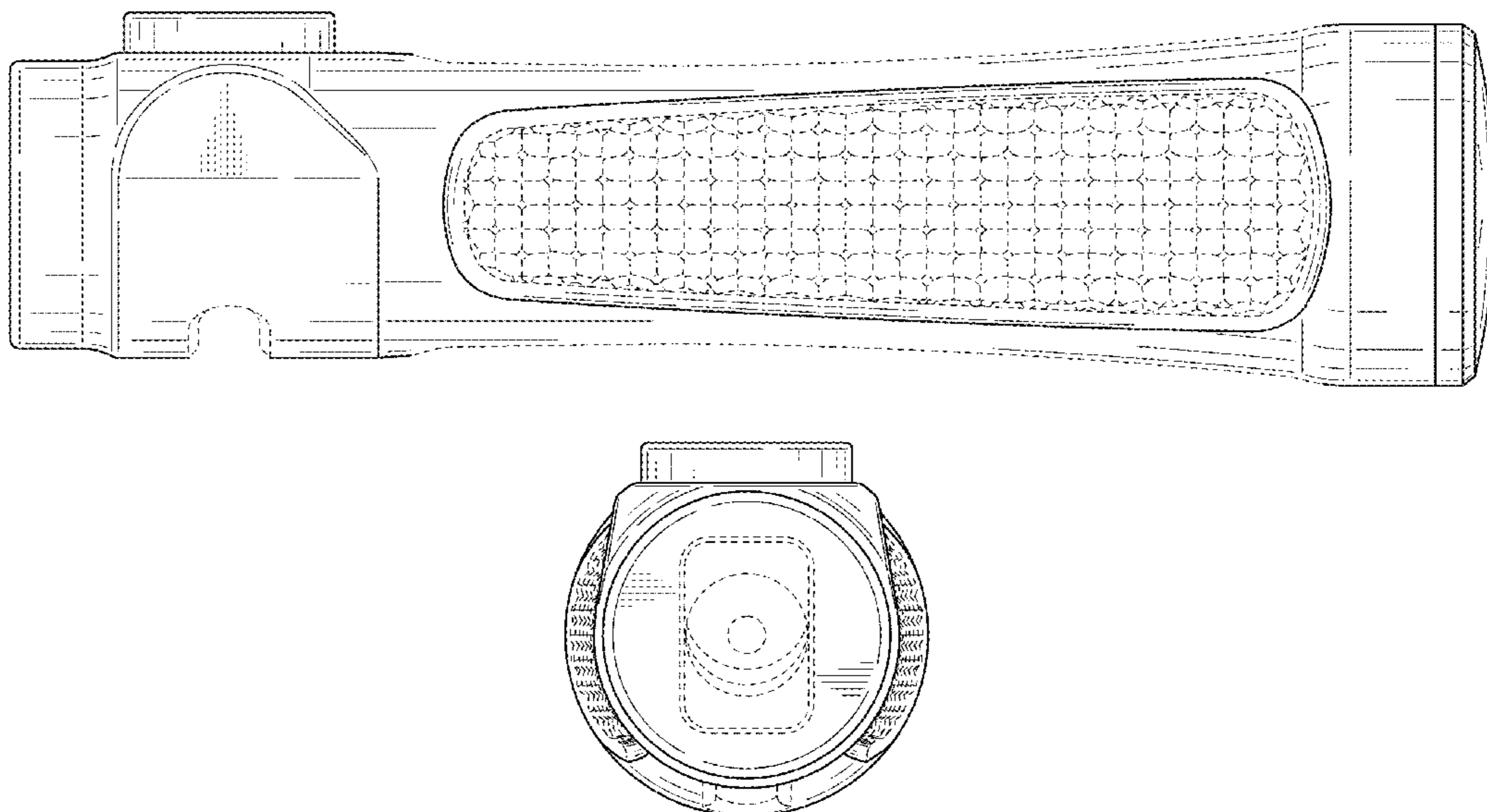
DESCRIPTION

FIG. 1 is a perspective view of a surgical instrument showing my new design;
FIG. 2 is a front elevational view thereof;
FIG. 3 is a rear elevational view thereof;
FIG. 4 is a left side elevational view thereof;
FIG. 5 is a right side elevational view thereof;
FIG. 6 is a top plan view thereof; and,
FIG. 7 is a bottom plan view thereof.
The broken lines immediately adjacent the shaded areas represent the bounds of the claimed design while all other broken lines are directed to environment and are for illustrative purposes only; the broken lines form no part of the claimed design.

(56) **References Cited**
U.S. PATENT DOCUMENTS

D152,155 S * 12/1948 Jacoff D8/82
D439,978 S * 4/2001 Ark D24/140
D450,835 S * 11/2001 Liu D24/112
D518,175 S * 3/2006 Hardin, Jr. D24/133

1 Claim, 4 Drawing Sheets



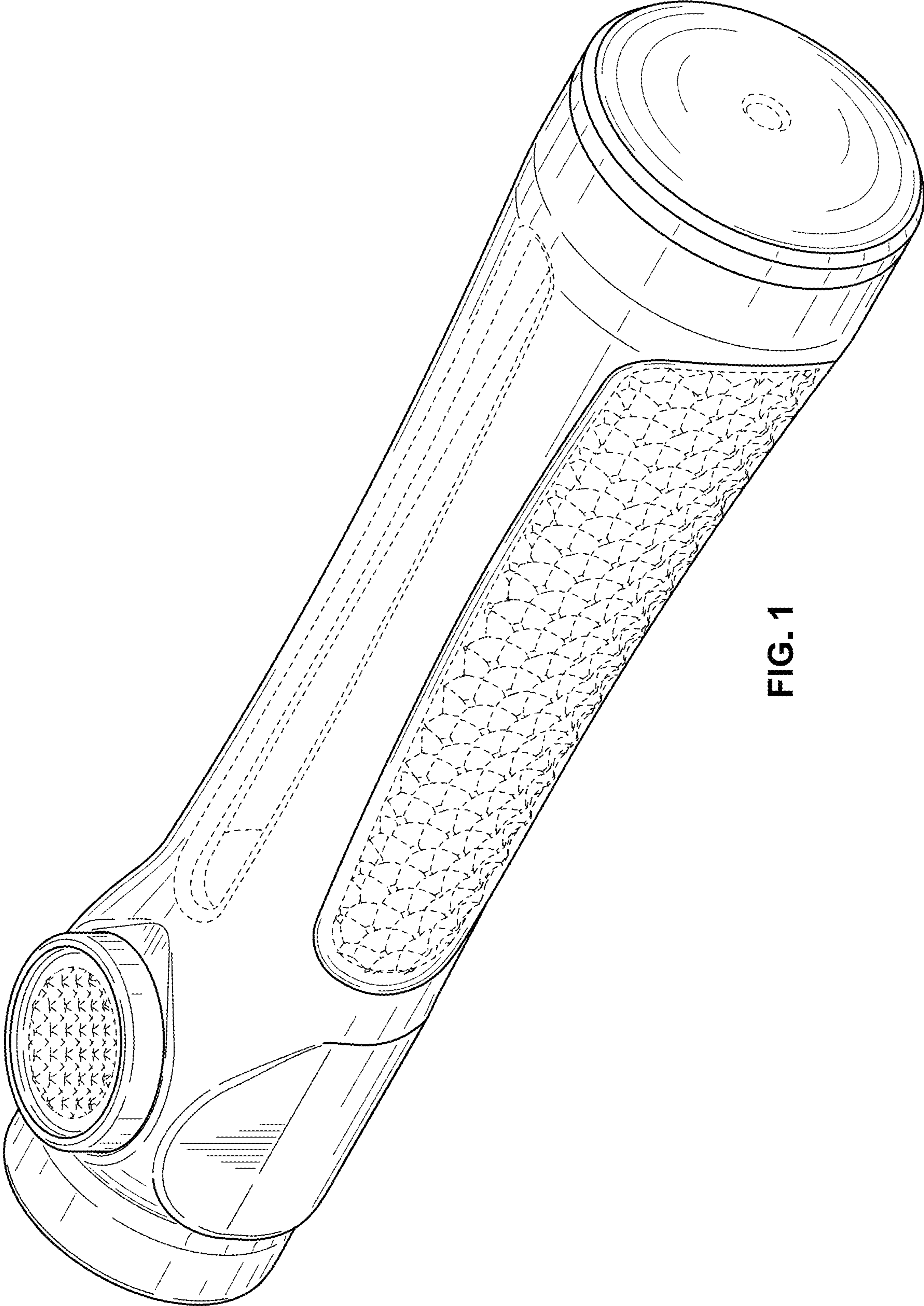


FIG. 1

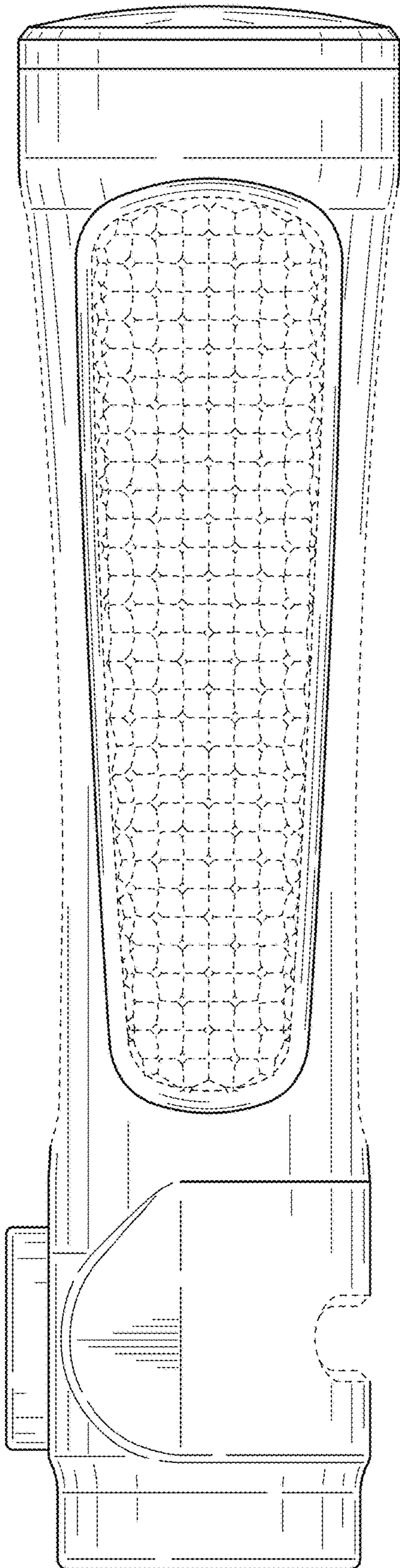


FIG. 2

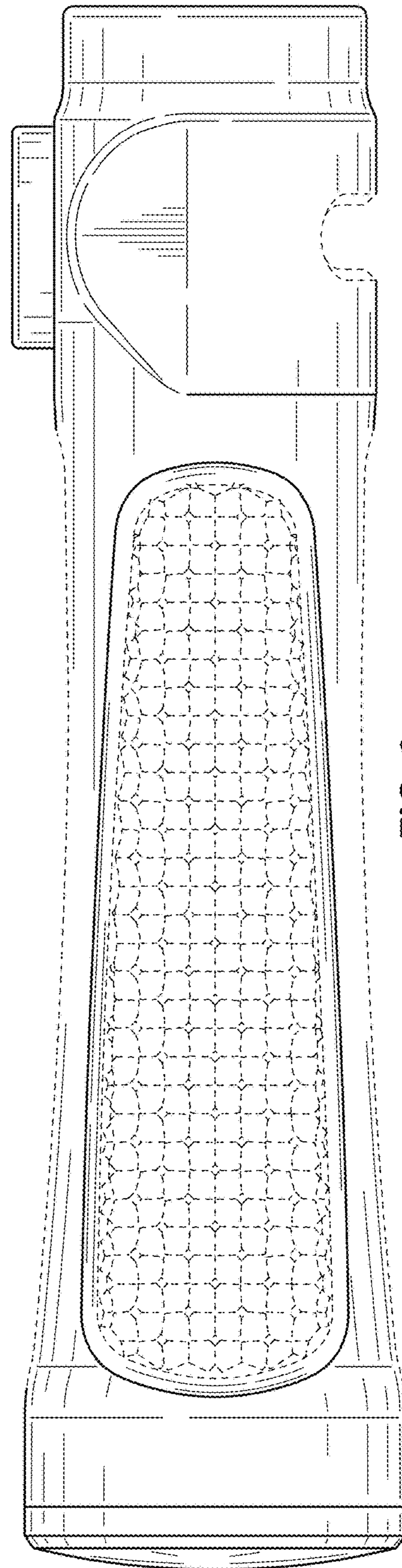


FIG. 3

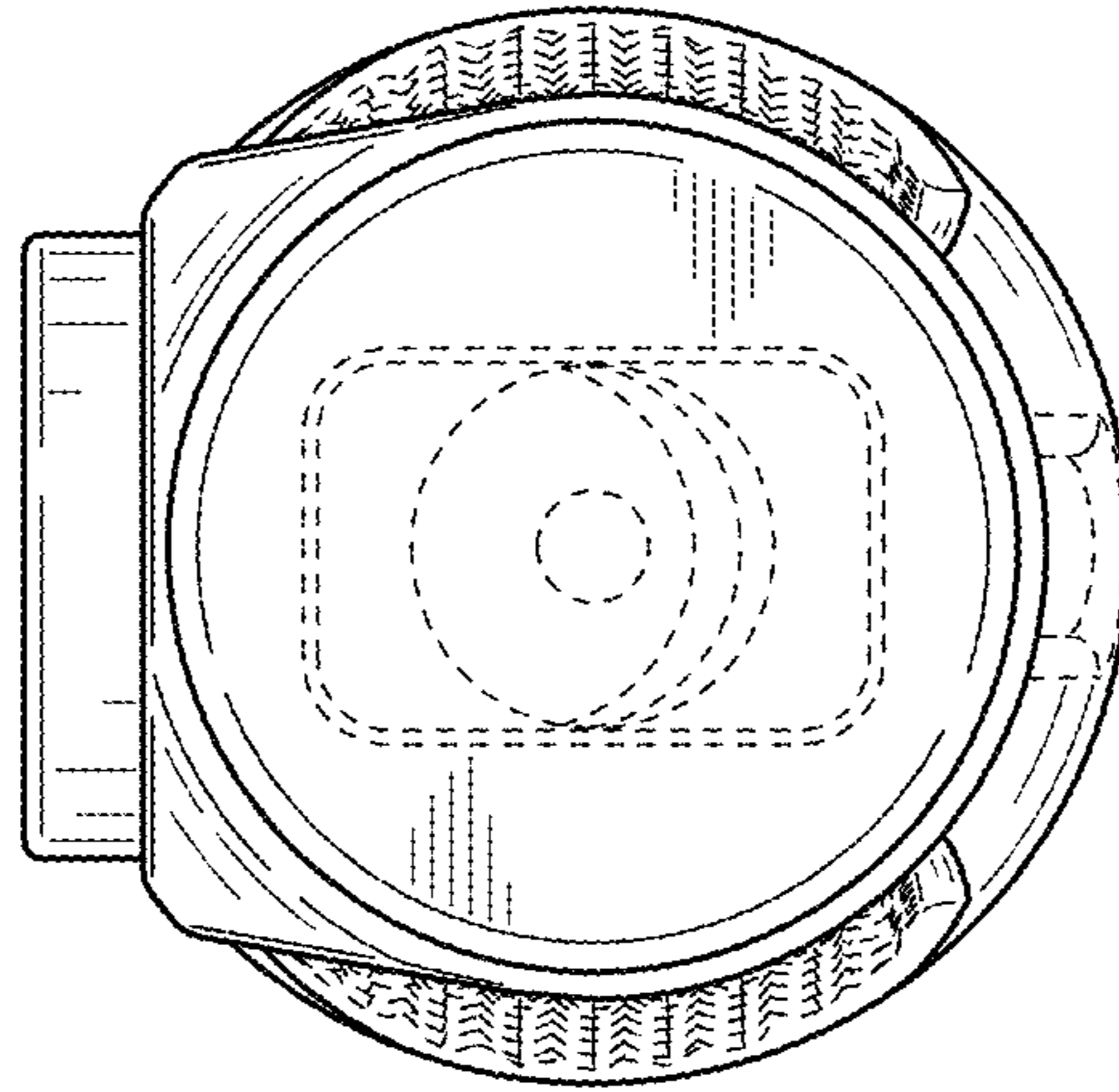


FIG. 5

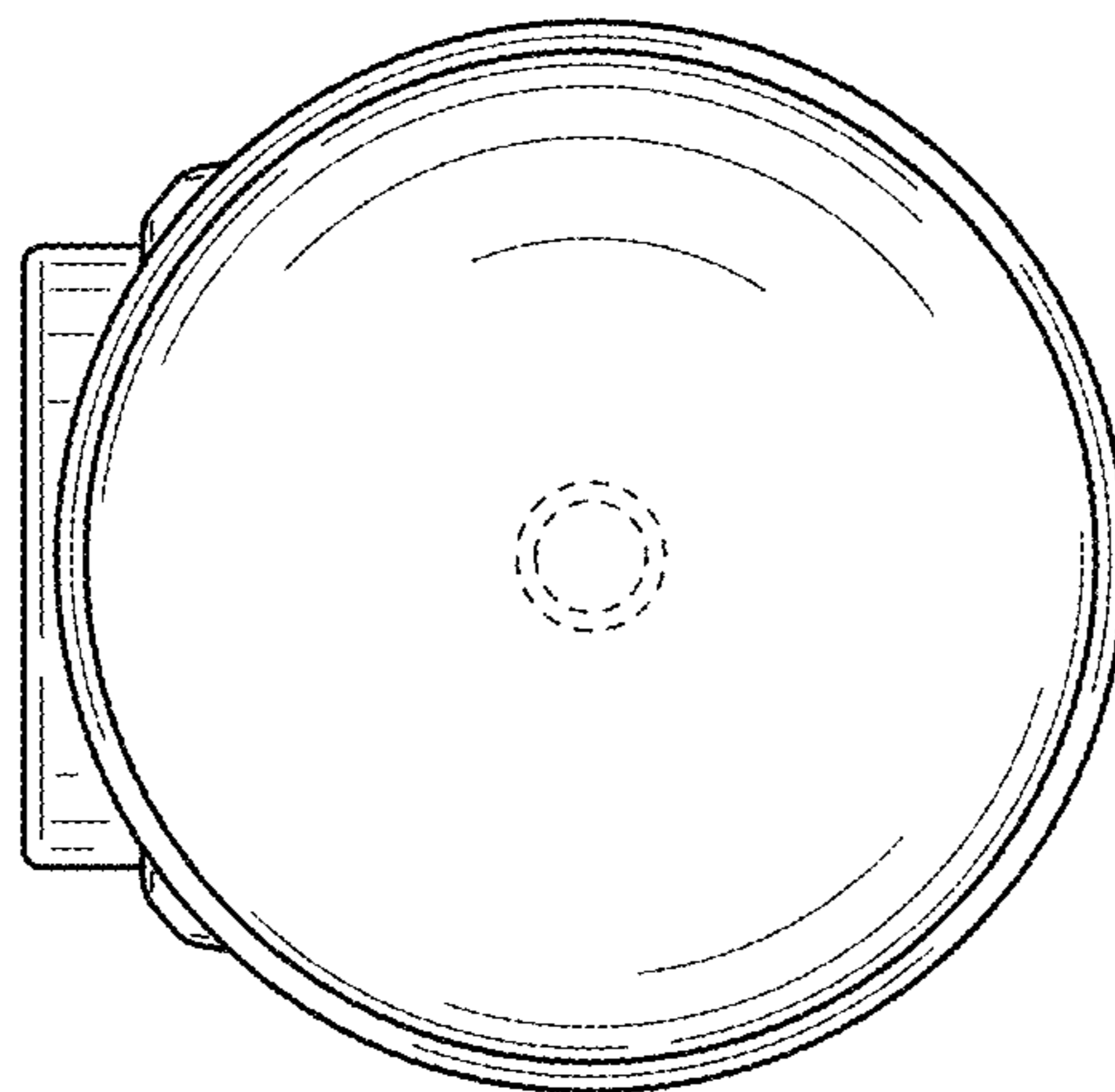


FIG. 4

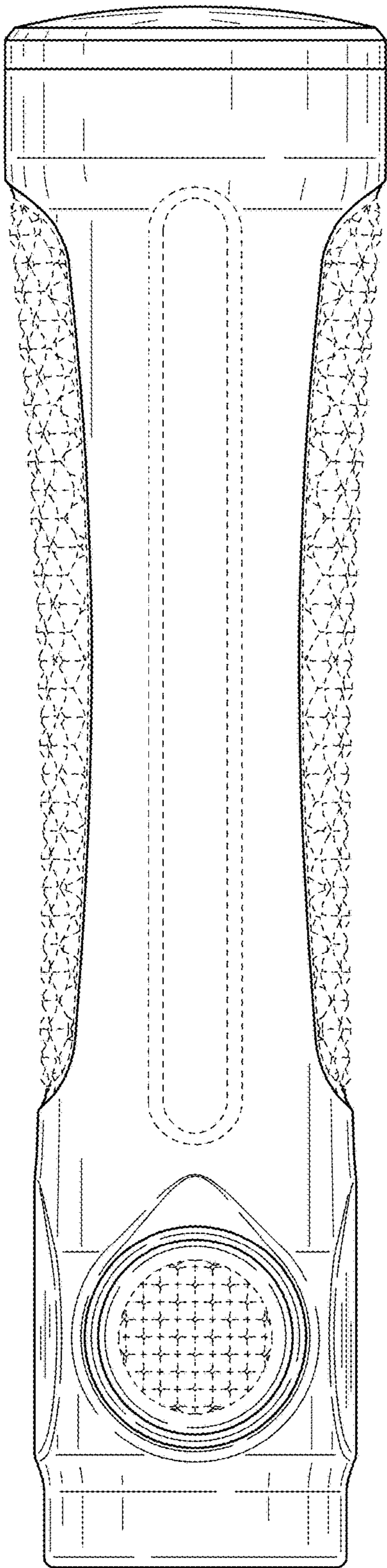


FIG. 6

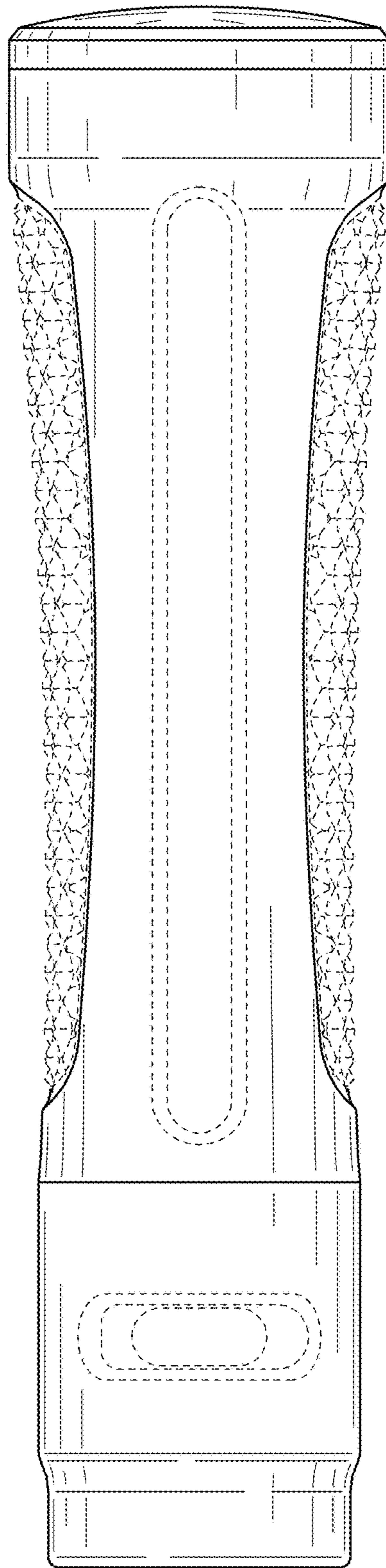


FIG. 7