



US00D842986S

(12) **United States Design Patent** (10) **Patent No.:** **US D842,986 S**
Parkhurst (45) **Date of Patent:** **** Mar. 12, 2019**

- (54) **NARROW IV SECUREMENT DEVICE**
- (71) Applicant: **TIDI Products, LLC**, Neenah, WI (US)
- (72) Inventor: **Arthur Parkhurst**, Ocala, FL (US)
- (73) Assignee: **TIDI Products, LLC**, Neenah, WI (US)
- (**) Term: **15 Years**
- (21) Appl. No.: **29/577,462**
- (22) Filed: **Sep. 13, 2016**

3,918,446 A	11/1975	Buttaravoli
3,973,565 A	8/1976	Steer
4,129,128 A	12/1978	McFarlane
4,250,880 A	2/1981	Gordon
4,460,356 A	7/1984	Moseley
4,490,141 A	12/1984	Lacko et al.
4,519,793 A	5/1985	Galindo
4,699,616 A	10/1987	Nowak et al.
4,717,385 A	1/1988	Cameron et al.
4,767,411 A	8/1988	Edmunds
4,822,342 A	4/1989	Brawner
4,838,868 A	6/1989	Forgar et al.
4,863,432 A	9/1989	Kvalo
4,874,380 A	10/1989	Hesketh
4,915,694 A	4/1990	Yamamoto et al.

(Continued)

Related U.S. Application Data

- (63) Continuation-in-part of application No. 14/873,923, filed on Oct. 2, 2015, and a continuation-in-part of application No. 29/501,593, filed on Sep. 5, 2014, now Pat. No. Des. 780,914.
- (51) **LOC (11) Cl.** **24-02**
- (52) **U.S. Cl.**
USPC **D24/128**
- (58) **Field of Classification Search**
USPC D24/127-130, 132, 188-189; 604/187, 604/227, 180, 174; 602/58-59, 46, 41, 602/52; 128/DIG. 26
CPC A61M 25/02; A61M 2025/0206; A61M 2025/024; A61M 2025/0266; A61M 2025/028; A61M 2025/0246; Y10S 128/26
See application file for complete search history.

References Cited

U.S. PATENT DOCUMENTS

3,138,158 A	6/1964	Gordon et al.
3,167,072 A	1/1965	Stone et al.
3,634,380 A	1/1972	Boyd
3,826,254 A	7/1974	Mellor

FOREIGN PATENT DOCUMENTS

CN	203123273 U	8/2013
DE	200 20 326 U1	2/2001

(Continued)

Primary Examiner — David G Muller

Assistant Examiner — Nathan M Johnston

(74) *Attorney, Agent, or Firm* — Boyle Fredrickson, S.C.

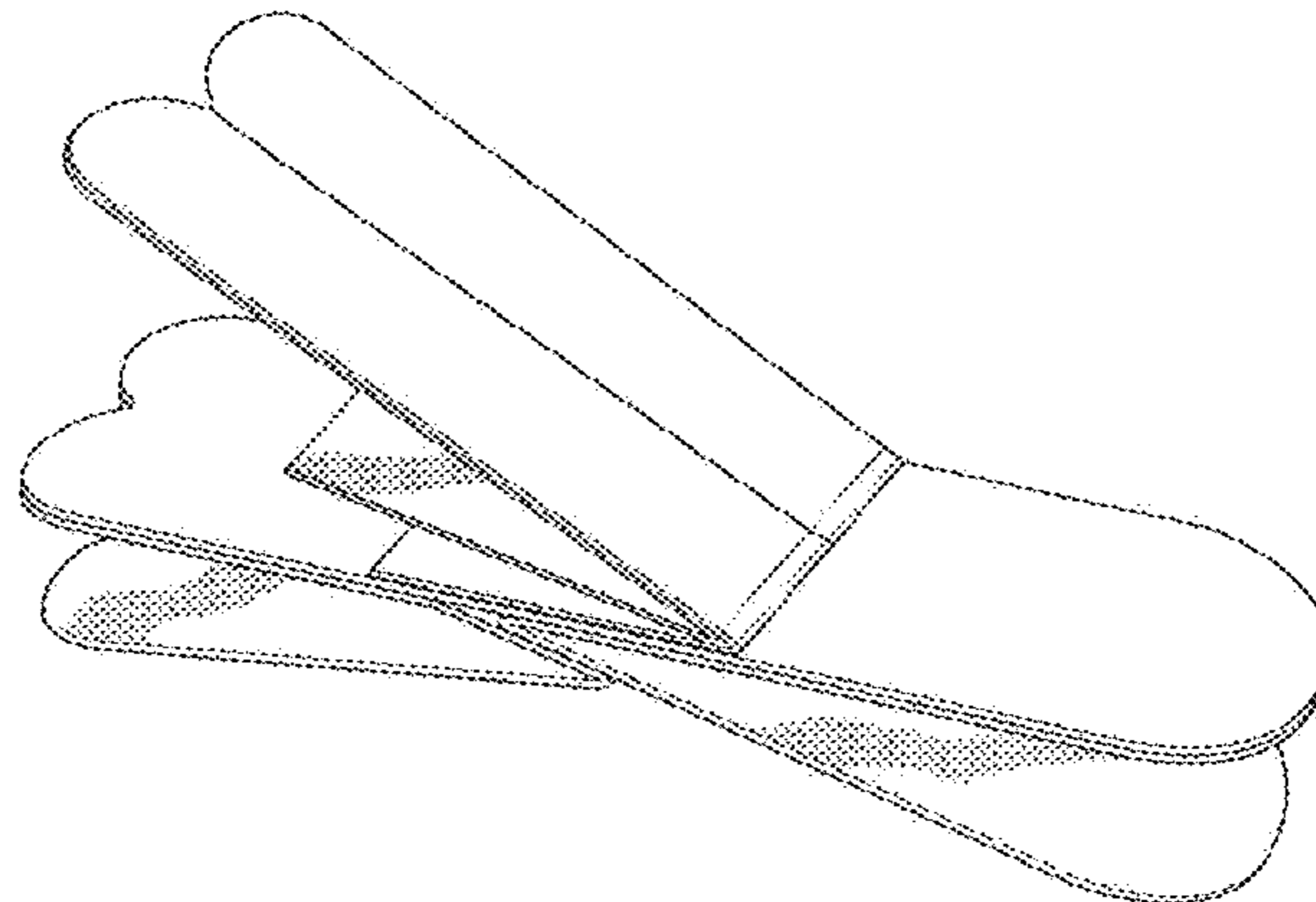
(57) **CLAIM**

The ornamental design for a narrow IV securement device, substantially as shown and described.

DESCRIPTION

FIG. 1 is a perspective view of a narrow IV securement device showing our new design in an open position;
 FIG. 2 is a top plan view of the narrow IV securement device in a closed position;
 FIG. 3 is a bottom plan view thereof;
 FIG. 4 is a right side elevation view thereof;
 FIG. 5 is a left side elevation view thereof;
 FIG. 6 is a front side elevation view thereof; and,
 FIG. 7 is a rear elevation view thereof.

1 Claim, 4 Drawing Sheets



(56)

References Cited

U.S. PATENT DOCUMENTS

5,037,397 A 8/1991 Kalt et al.
 5,192,274 A 3/1993 Bierman
 5,215,532 A 6/1993 Atkinson
 5,219,336 A 6/1993 Wilk
 5,224,935 A 7/1993 Hollands
 5,232,453 A 8/1993 Plass et al.
 5,236,421 A 8/1993 Becher
 5,282,791 A 2/1994 Lipton et al.
 5,370,627 A 12/1994 Conway
 5,380,294 A 1/1995 Persson
 5,413,562 A 5/1995 Swauger
 5,449,340 A * 9/1995 Tollini A61M 25/02
 128/888
 5,520,656 A * 5/1996 Byrd A61M 25/02
 604/174
 5,653,224 A * 8/1997 Johnson A61F 5/08
 128/200.24
 5,685,859 A 11/1997 Kornerup
 6,165,156 A * 12/2000 Cesarczyk A61M 25/02
 128/DIG. 26
 6,273,873 B1 8/2001 Fleischer
 6,311,933 B1 * 11/2001 Starchevich A61M 25/02
 128/DIG. 6
 6,419,660 B1 7/2002 Russo
 6,428,516 B1 8/2002 Bierman
 D470,936 S 2/2003 Bierman
 6,689,104 B2 2/2004 Bierman
 D492,411 S 6/2004 Bierman
 6,765,122 B1 7/2004 Stout
 6,770,055 B2 8/2004 Bierman et al.
 6,827,706 B2 12/2004 Tollini
 6,837,875 B1 1/2005 Bierman
 6,866,652 B2 3/2005 Bierman
 D503,977 S 4/2005 Bierman
 6,875,200 B1 4/2005 Ajagbe
 6,929,625 B2 8/2005 Bierman
 6,951,550 B2 10/2005 Bierman
 6,979,320 B2 12/2005 Bierman
 7,018,362 B2 3/2006 Bierman et al.
 D528,206 S 9/2006 Bierman
 7,137,968 B1 11/2006 Burrell et al.
 D563,552 S * 3/2008 Bierman D24/128
 7,524,307 B2 4/2009 Davis et al.
 7,637,894 B2 12/2009 Fleischer

D608,444 S 1/2010 Kyvik et al.
 D608,887 S 1/2010 Kyvik et al.
 7,648,485 B2 1/2010 Fleischer
 D616,091 S 5/2010 Kyvik et al.
 D616,542 S 5/2010 Kyvik et al.
 D616,983 S 6/2010 Kyvik et al.
 7,766,880 B1 8/2010 Spinoza
 D625,002 S 10/2010 Kyvik et al.
 7,812,212 B2 10/2010 Propp et al.
 D652,509 S 1/2012 Kyvik et al.
 8,128,602 B2 3/2012 Tollini et al.
 8,157,770 B2 4/2012 Elwell et al.
 D663,834 S 7/2012 Kyvik et al.
 8,241,253 B2 8/2012 Bracken
 8,251,957 B2 8/2012 Kyvik et al.
 D684,260 S * 6/2013 Lund D24/118
 8,500,698 B2 8/2013 Kyvik et al.
 8,608,706 B2 12/2013 Davis et al.
 8,618,348 B2 * 12/2013 Patel A61F 13/0246
 602/41
 8,834,427 B2 9/2014 Kyvik et al.
 D715,927 S 10/2014 Kyvik et al.
 D715,928 S 10/2014 Kyvik et al.
 D717,946 S * 11/2014 Kyvik D24/128
 9,248,259 B2 2/2016 Kyvik et al.
 9,358,366 B2 6/2016 Kyvik et al.
 9,526,870 B2 * 12/2016 Simons A61M 25/02
 2002/0195114 A1 12/2002 Tollini
 2006/0041233 A1 * 2/2006 Bowen A61M 25/02
 604/180
 2010/0298778 A1 11/2010 Bracken
 2011/0021997 A1 1/2011 Kyvik et al.
 2012/0316504 A1 12/2012 Kyvik et al.
 2013/0096507 A1 4/2013 Lelievie
 2013/0150796 A1 6/2013 Souza et al.
 2015/0367085 A1 * 12/2015 Ravikumar A61M 5/427
 604/510
 2016/0067451 A1 3/2016 Kyvik et al.
 2016/0206857 A1 * 7/2016 Mitchell A61M 25/02

FOREIGN PATENT DOCUMENTS

EP 0408389 A1 1/1991
 GB 2 464 662 A 4/2010
 KR 20-2008-0004611 10/2008
 KR 10-2010-0114171 10/2010

* cited by examiner

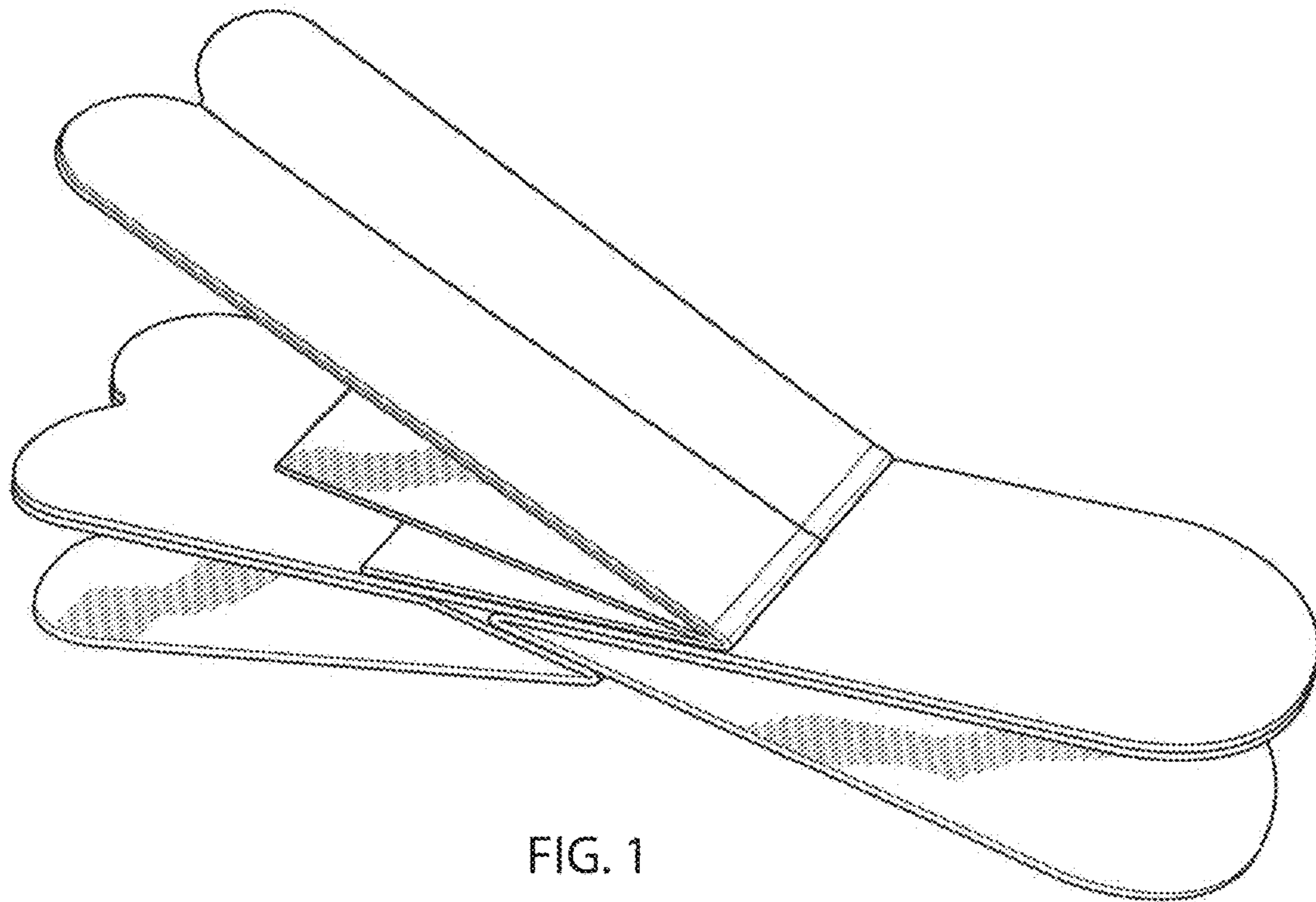


FIG. 1

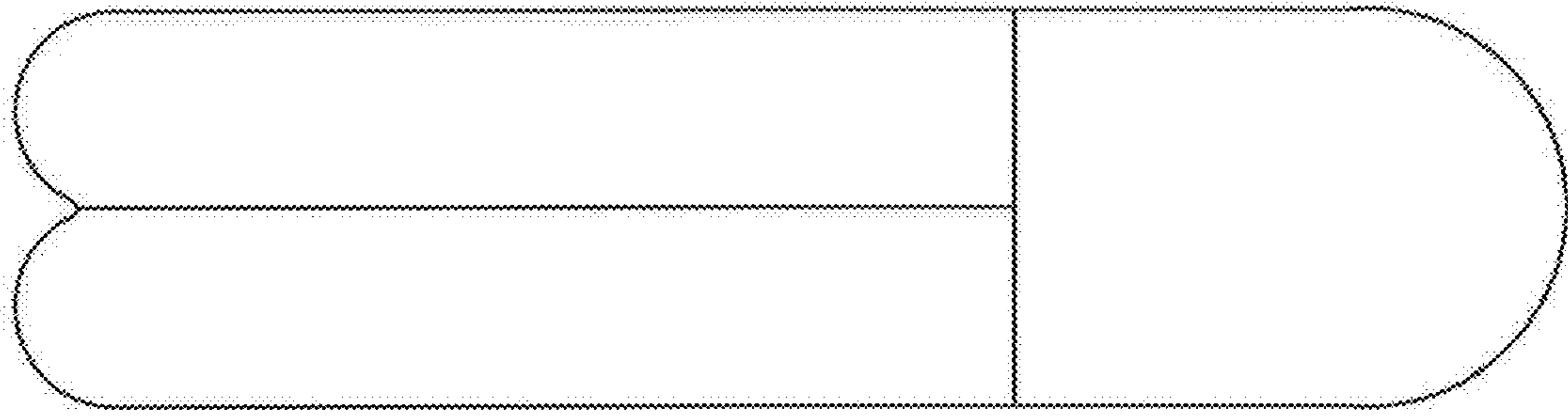


FIG. 2

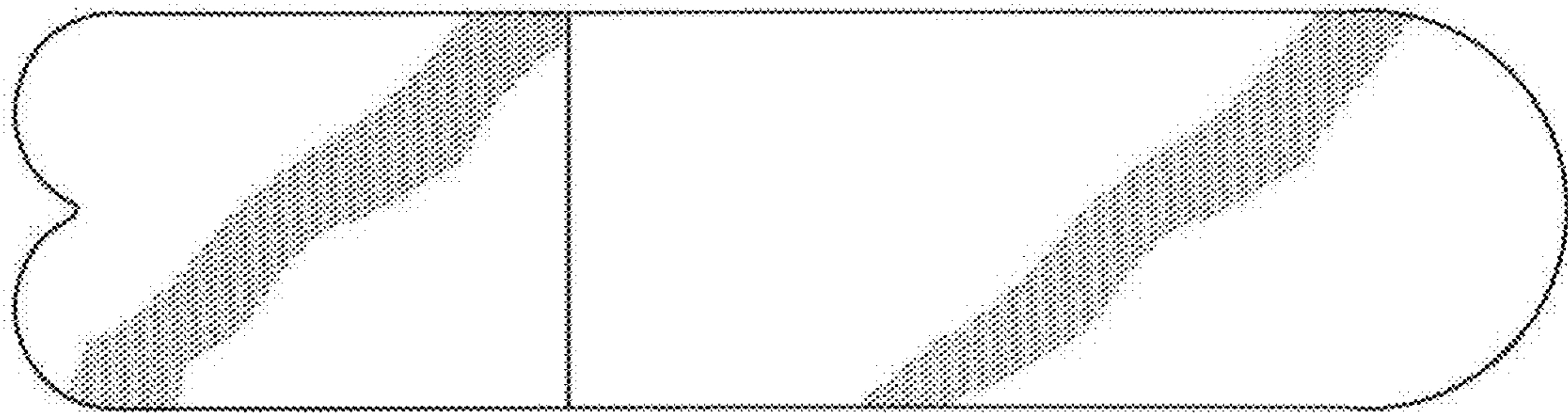


FIG. 3

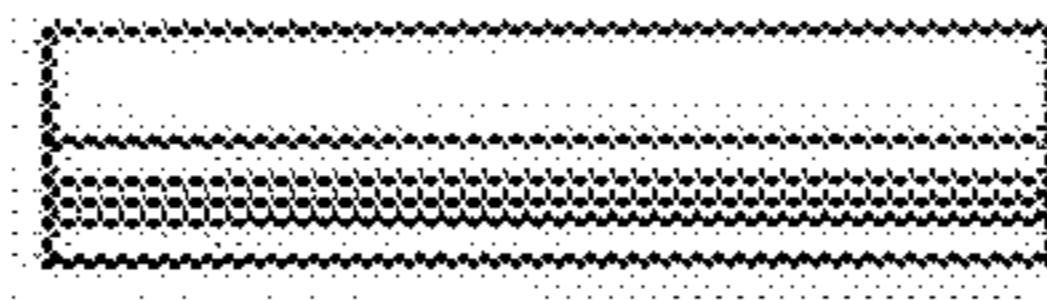


FIG. 4



FIG. 5



FIG. 6



FIG. 7