



US00D842982S

(12) **United States Design Patent** (10) **Patent No.:** **US D842,982 S**  
**Castiglione** (45) **Date of Patent:** **\*\* \*Mar. 12, 2019**

(54) **HARDHAT SUSPENSION ADAPTER FOR HALF FACEPIECE RESPIRATORS**

(56) **References Cited**

U.S. PATENT DOCUMENTS

(71) Applicant: **3M INNOVATIVE PROPERTIES COMPANY**, St. Paul, MN (US)

2,055,853 A 9/1936 Schwartz

(72) Inventor: **David M. Castiglione**, Hudson, WI (US)

2,062,834 A 12/1936 Schwartz

2,235,624 A 3/1941 Schwartz

2,787,333 A 4/1957 Boone

3,167,070 A 1/1965 Silverman

3,232,290 A 2/1966 Nicolai

3,594,816 A 7/1971 Webb

3,605,204 A 9/1971 Amundsen

3,703,750 A 11/1972 Irwin, Jr.

3,879,586 A 4/1975 DuRocher

3,898,700 A 8/1975 Davison

4,224,694 A 9/1980 Palmaer

4,276,657 A 7/1981 Montesi

4,390,765 A 6/1983 Sado

4,414,973 A 11/1983 Matheson

4,464,797 A 8/1984 Glassman

4,555,815 A 12/1985 Walther

4,562,837 A 1/1986 Schlobohm

4,574,799 A 3/1986 Warncke

4,604,509 A 8/1986 Clancy

4,764,989 A 8/1988 Bourgeois

4,790,306 A 12/1988 Braun

4,817,596 A 4/1989 Gallet

4,905,683 A 3/1990 Cronjaeger

4,921,512 A 5/1990 Maryyanek

4,932,399 A 6/1990 Cappa

4,981,134 A 1/1991 Courtney

5,062,421 A 11/1991 Burns

5,086,768 A 2/1992 Niemeyer

5,148,803 A 9/1992 Schlobohm

5,154,168 A 10/1992 Schlobohm

5,299,448 A 4/1994 Maryyanek

5,372,130 A 12/1994 Stern

RE35,062 E 10/1995 Brostrom

5,501,213 A 3/1996 Jackson

5,505,197 A 4/1996 Scholey

5,515,846 A 5/1996 Drews

5,540,218 A 7/1996 Jones

5,555,569 A 9/1996 Lane

5,579,761 A 12/1996 Yuschak

5,592,935 A 1/1997 Elstran

5,611,925 A 3/1997 Yasue

5,647,356 A 7/1997 Osendorf

5,647,357 A 7/1997 Barnett

5,659,296 A 8/1997 Debe

5,666,663 A 9/1997 Bolle

5,666,949 A 9/1997 Debe

5,669,375 A 9/1997 Dahrendorf

5,687,767 A 11/1997 Bowers

(\*) Notice: This patent is subject to a terminal disclaimer.

(\*\*) Term: **15 Years**

(21) Appl. No.: **29/577,725**

(22) Filed: **Sep. 15, 2016**

**Related U.S. Application Data**

(63) Continuation-in-part of application No. 29/559,371, filed on Mar. 28, 2016, now Pat. No. Des. 816,209.

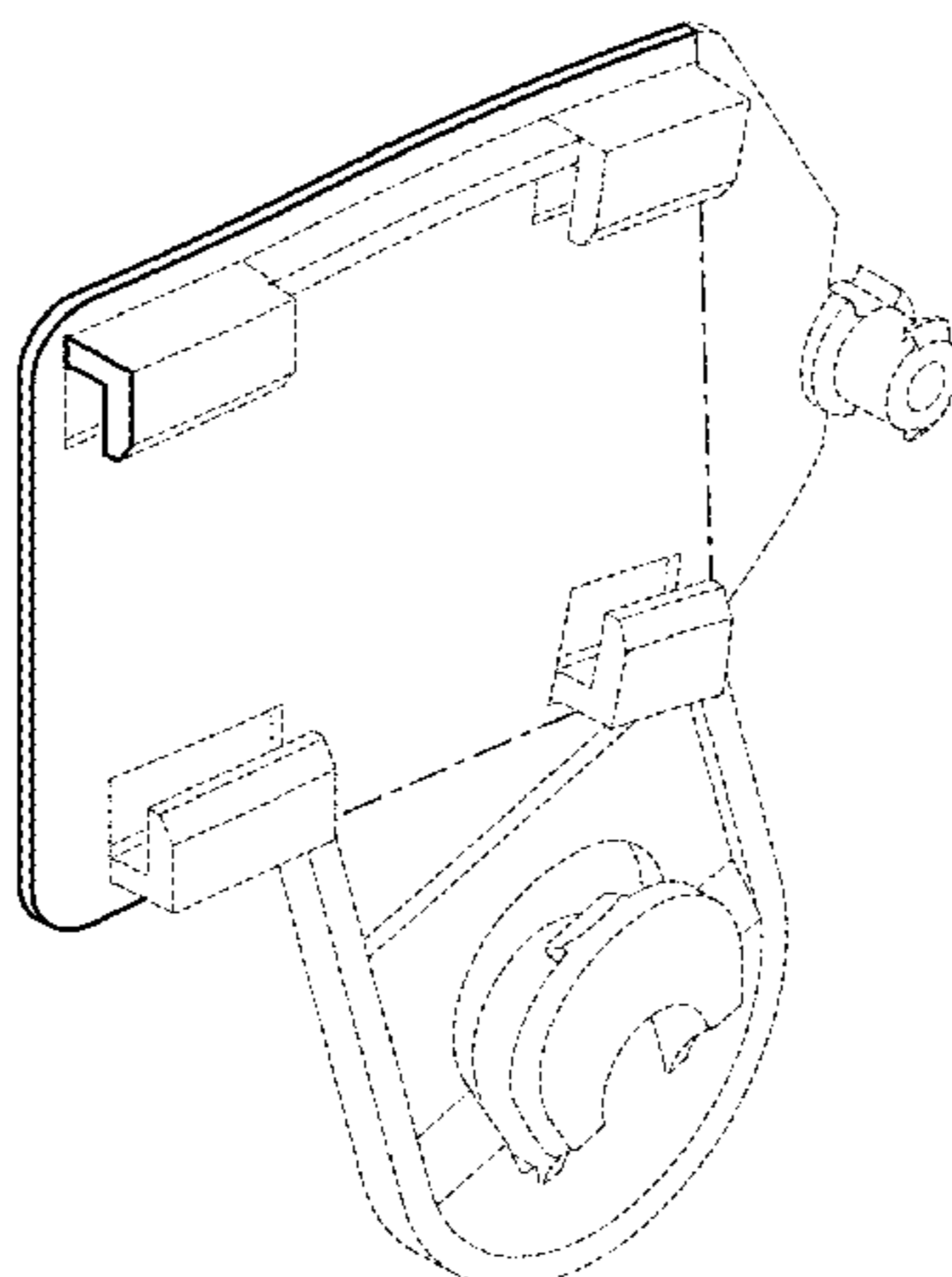
(51) **LOC (11) Cl.** ..... **29-02**

(52) **U.S. Cl.**  
USPC ..... **D24/110.1**

(58) **Field of Classification Search**

USPC ..... D24/110.1-110.4, 110.6, 127, 162;  
D29/105, 107, 108, 110; D23/332, 335,  
D23/355, 356, 366, 388, 412; D7/667;  
D14/451, 250, 388, 399, 217-219,  
D14/138 AA, 138 AB, 138 AC; D3/255,  
D3/319, 320; D21/324; D18/6, 7, 11,  
D18/12, 12.2; D12/209  
CPC ..... A62B 18/00; A62B 18/02; A62B 18/025;  
A62B 18/08; A62B 18/10; A62B 23/00;  
A62B 23/02; A62B 23/025; A62B 23/06;  
A41D 13/11; A61M 16/0622; A61M  
16/0616; A61M 16/0816; A61M 16/08;  
A61M 16/0633; A61M 16/0666; A61M  
2210/0618; A61M 16/0683

See application file for complete search history.



# US D842,982 S

5,732,695 A	3/1998	Metzger	8,266,724 B2	9/2012	Grilliot
5,803,076 A	9/1998	Myers	8,267,088 B2	9/2012	Steindorf
5,937,439 A	8/1999	Barthold	8,272,382 B2	9/2012	Howard
5,937,857 A	8/1999	Caterini	8,291,906 B2	10/2012	Kooij
5,940,891 A	8/1999	Lane	8,297,283 B2	10/2012	Hitchcock
5,967,142 A	10/1999	Dorcheh	8,312,876 B2	11/2012	Mutze
5,975,079 A	11/1999	Hellings	8,327,850 B2	12/2012	Ng
6,016,802 A	1/2000	Jackson	8,336,547 B1	12/2012	Ritchie
6,016,804 A	1/2000	Gleason	8,342,180 B2	1/2013	Martin
6,167,882 B1	1/2001	Almqvist	8,365,771 B2	2/2013	Xue
6,196,223 B1	3/2001	Belfer	8,402,966 B2	3/2013	Morgan, III
6,206,003 B1	3/2001	Burch	8,402,971 B2	3/2013	Scheiner
6,216,693 B1	4/2001	Rekow	8,443,806 B2	5/2013	Morelli
6,269,814 B1	8/2001	Blaszczkiewicz	8,460,423 B2	6/2013	Legare
6,298,849 B1	10/2001	Scholey	8,496,005 B2	7/2013	McDonald
6,345,620 B2	2/2002	Salapow	8,505,536 B2	8/2013	Kielow
6,408,845 B1	6/2002	Pereira	8,528,559 B2	9/2013	Crutchfield
6,418,928 B1	7/2002	Bordewick	8,550,084 B2	10/2013	Ng
6,460,539 B1	10/2002	Japuntich	8,573,201 B2	11/2013	Rummery
6,470,886 B1	10/2002	Jestrabek-Hart	8,631,792 B2	1/2014	Ho
6,490,729 B1	12/2002	Dondero	8,678,003 B2	3/2014	Darkin
6,550,479 B1	4/2003	Duxbury	8,708,708 B1	4/2014	Carideo
6,575,165 B1	6/2003	Cook	8,720,443 B2	5/2014	Kooij
D476,732 S *	7/2003	Smart ..... D24/110.1	8,770,195 B2	7/2014	Stone
6,584,976 B2	7/2003	Japuntich	9,095,800 B2	8/2015	Symons
6,659,102 B1	12/2003	Sico	9,149,669 B2	10/2015	Cowell
6,701,925 B1	3/2004	Resnick	D759,807 S	6/2016	Blomberg
6,712,072 B1	3/2004	Lang	9,642,403 B2	5/2017	Welch
6,732,733 B1	5/2004	Brostrom	2001/0013347 A1	8/2001	Rekow
D492,992 S	7/2004	Guney	2002/0195108 A1	12/2002	Mittelstadt
6,761,169 B2	7/2004	Eswarappa	2002/0195109 A1	12/2002	Mittelstadt
6,793,702 B2	9/2004	Eswarappa	2003/0200969 A1	10/2003	Kintzel
6,817,362 B2	11/2004	Gelinas	2003/0217752 A1	11/2003	Muller
6,854,464 B2	2/2005	Mukaiyama	2004/0003810 A1	1/2004	Templeton
6,874,499 B2	4/2005	Viner	2005/0085799 A1	4/2005	Luria
6,883,518 B2	4/2005	Mittelstadt	2005/0126572 A1	6/2005	Gosweiler
6,886,559 B2	5/2005	McDonald	2006/0076012 A1	4/2006	Tanizawa
6,928,657 B2	8/2005	Bell	2006/0225738 A1	10/2006	Afentoulopoulos
6,997,206 B1	2/2006	Klockseth	2006/0283453 A1	12/2006	Haddad
7,025,060 B1	4/2006	Nicholson	2006/0283455 A1	12/2006	Walker
7,059,326 B2	6/2006	Heidmann	2007/0272169 A1	11/2007	Barney
7,100,608 B2	9/2006	Brewer	2008/0135050 A1	6/2008	Hitchcock
7,101,412 B2	9/2006	Gossweiler	2008/0178884 A1	7/2008	Gerson
7,114,496 B1	10/2006	Resnick	2009/0000624 A1	1/2009	Lee
7,118,608 B2	10/2006	Lovell	2009/0044808 A1	2/2009	Guney
7,121,279 B2	10/2006	Dennis	2009/0065729 A1	3/2009	Worboys
7,158,822 B2	1/2007	Payne, Jr.	2009/0078264 A1	3/2009	Martin
RE39,493 E	2/2007	Yuschak	2009/0107515 A1	4/2009	Gavriely
7,171,966 B2	2/2007	Schrader	2009/0139526 A1	6/2009	Melidis
7,188,622 B2	3/2007	Martin	2009/0188506 A1	7/2009	Duke
7,213,595 B2	5/2007	Capon	2009/0217926 A1	9/2009	Hine
7,296,568 B2	11/2007	Capon	2009/0235934 A1	9/2009	Martin
7,302,951 B2	12/2007	Mittelstadt	2009/0250060 A1	10/2009	Hacke
7,320,722 B2	1/2008	Mittelstadt	2009/0266361 A1	10/2009	Bilger
7,353,826 B2	4/2008	Sleeper	2009/0268153 A1	10/2009	Wang-Lee
7,419,526 B2	9/2008	Greer	2010/0108067 A1	5/2010	Walker
7,464,705 B2	12/2008	Tanizawa	2010/0132714 A1	6/2010	Morelli
7,543,584 B2	6/2009	Brookman	2010/0206311 A1	8/2010	Flannigan
7,559,323 B2	7/2009	Hacke	2010/0218761 A1	9/2010	Flannigan
7,584,751 B1	9/2009	Brooks, Jr.	2010/0224194 A1	9/2010	Walker
7,587,929 B2	9/2009	Zielinski	2010/0269833 A1	10/2010	Gillotin
7,650,884 B2	1/2010	Flannigan	2010/0307506 A1	12/2010	Kielow
7,669,599 B2	3/2010	Gunaratnam	2010/0313891 A1	12/2010	Veliss
7,762,258 B2	7/2010	Zollinger	2010/0319701 A1	12/2010	Connell
7,827,990 B1	11/2010	Melidis	2011/0000481 A1	1/2011	Gumaste
7,836,886 B2	11/2010	McDonald	2011/0100372 A1	5/2011	Betz
7,849,856 B2	12/2010	Mittelstadt	2011/0240027 A1	10/2011	Billingsley
7,866,010 B2	1/2011	Schmidtke	2011/0290253 A1	12/2011	McAuley
7,866,319 B2	1/2011	Penton	2011/0314595 A1	12/2011	Kobayashi
7,908,668 B2	3/2011	Folkesson	2012/0000465 A1	1/2012	Cavaliere
7,997,275 B2	8/2011	Quinn	2012/0024289 A1	2/2012	Johnstone
8,006,691 B2	8/2011	Kenyon	2012/0042878 A1	2/2012	Woo
8,011,368 B2	9/2011	Crutchfield	2012/0080035 A1	4/2012	Guney
8,015,626 B2	9/2011	Grassi	2012/0167890 A1	7/2012	Insley
8,066,006 B2	11/2011	Daugaard	2012/0168658 A1	7/2012	Insley
8,069,853 B2	12/2011	Tilley	2012/0174922 A1	7/2012	Virr
8,104,472 B2	1/2012	Henderson	2012/0199130 A1	8/2012	Euvrard
8,118,026 B2	2/2012	Gebrewold	2012/0204879 A1	8/2012	Cariola
8,176,918 B2	5/2012	Teng	2012/0234326 A1	9/2012	Mazzone

2012/0260920	A1	10/2012	Choi	JP	2011-055896	3/2011
2013/0004358	A1	1/2013	Underwood, Jr.	JP	2011-246860	12/2011
2013/0104900	A1	5/2013	Tobias	JP	5610274	12/2011
2013/0125896	A1	5/2013	Dwyer	JP	2012-040336	3/2012
2013/0133628	A1	5/2013	Fornara	KR	10-0773460	11/2007
2013/0133664	A1	5/2013	Startare	KR	2012-0000355	1/2012
2013/0180523	A1	7/2013	Huggins	WO	2002/093045	11/2002
2013/0186394	A1	7/2013	Hallett	WO	2003/090873	11/2003
2013/0199520	A1	8/2013	Dhuper	WO	2003/099385	12/2003
2013/0228184	A1	9/2013	Lee	WO	2006/114505	11/2006
2013/0239972	A1	9/2013	McAuley	WO	2006/129028	12/2006
2013/0269513	A1	10/2013	Estirado Vera	WO	2006/135231	12/2006
2013/0298775	A1	11/2013	Fiet	WO	2008/082415	7/2008
2013/0319420	A1	12/2013	Danford	WO	2008/134905	11/2008
2013/0327323	A1	12/2013	Rubin	WO	2010/095168	8/2010
2014/0007888	A1	1/2014	Sanchez Talero	WO	2012/100116	7/2012
2014/0076325	A1	3/2014	Rosert	WO	2013/187278	12/2013
2014/0096768	A1	4/2014	Lee	WO	2013/187279	12/2013
2014/0096774	A1	4/2014	Olsen	WO	2014/120500	8/2014
2014/0190476	A1	7/2014	Stinton	WO	2014/120527	8/2014
2014/0216447	A1	8/2014	Kihlberg	WO	2014/120597	8/2014
2014/0216472	A1	8/2014	Brace	WO	2015/073414	5/2015
2014/0216473	A1	8/2014	Dwyer			
2014/0216474	A1	8/2014	Mittelstadt			
2014/0216475	A1	8/2014	Blomberg			
2014/0216476	A1	8/2014	Brace			
2014/0251327	A1	9/2014	Mittelstadt			
2014/0261437	A1	9/2014	Catanzarite			
2014/0345607	A1	11/2014	Skov			
2015/0107596	A1	4/2015	Mashiko			
2015/0136142	A1	5/2015	Blomberg			

FOREIGN PATENT DOCUMENTS

AU	2008202095	6/2008
CA	2402743	10/2001
CN	1040508	3/1990
CN	2800855	8/2006
CN	102233160	11/2011
CN	202364901	8/2012
CN	203194645	9/2013
CN	203235112	10/2013
CN	203290282	11/2013
CN	203467742	3/2014
CN	104544685	4/2015
CN	204306113	5/2015
DE	2645008	4/1978
DE	10057473	5/2002
DE	202014105242	6/2015
EP	2017508	1/2009
FR	2607916	6/1988
FR	2854575	11/2004
FR	2903864	1/2008
FR	2906670	4/2008
GB	591531	8/1947
GB	861574	2/1961
GB	1048258	11/1966
GB	1511303	5/1978
GB	2388787	11/2003
GB	2472835	2/2011
JP	4-18581	4/1992
JP	6099947	4/1994
JP	11151312	6/1999
JP	2001-104364	4/2001
JP	2001-104501	4/2001
JP	2006-346269	12/2006

OTHER PUBLICATIONS

“Chemical Cartridge Respirators,” Koken Website, 2007 [retrieved from the Internet on Feb. 19, 2016], URL<<http://www.koken-ltd.co.jp/english/chemicalcartridgerespirators.htm>>, 5 pages.

“Particulate Respirators,” Koken Website, 2007 [retrieved from the Internet on Feb. 19, 2016] URL<<http://www.koken-ltd.co.jp/english/particulaterespirators.htm>>, 4 pages.

“Respirator Set / Options,” Koken Website, 2007 [retrieved from the Internet on Jun. 28, 2016] URL<<http://www.koken-ltd.co.jp/english/respiratorset.htm>>, 2 pages.

\* cited by examiner

*Primary Examiner* — Randall H Gholson

(74) *Attorney, Agent, or Firm* — Dena M. Ehrich

(57) **CLAIM**

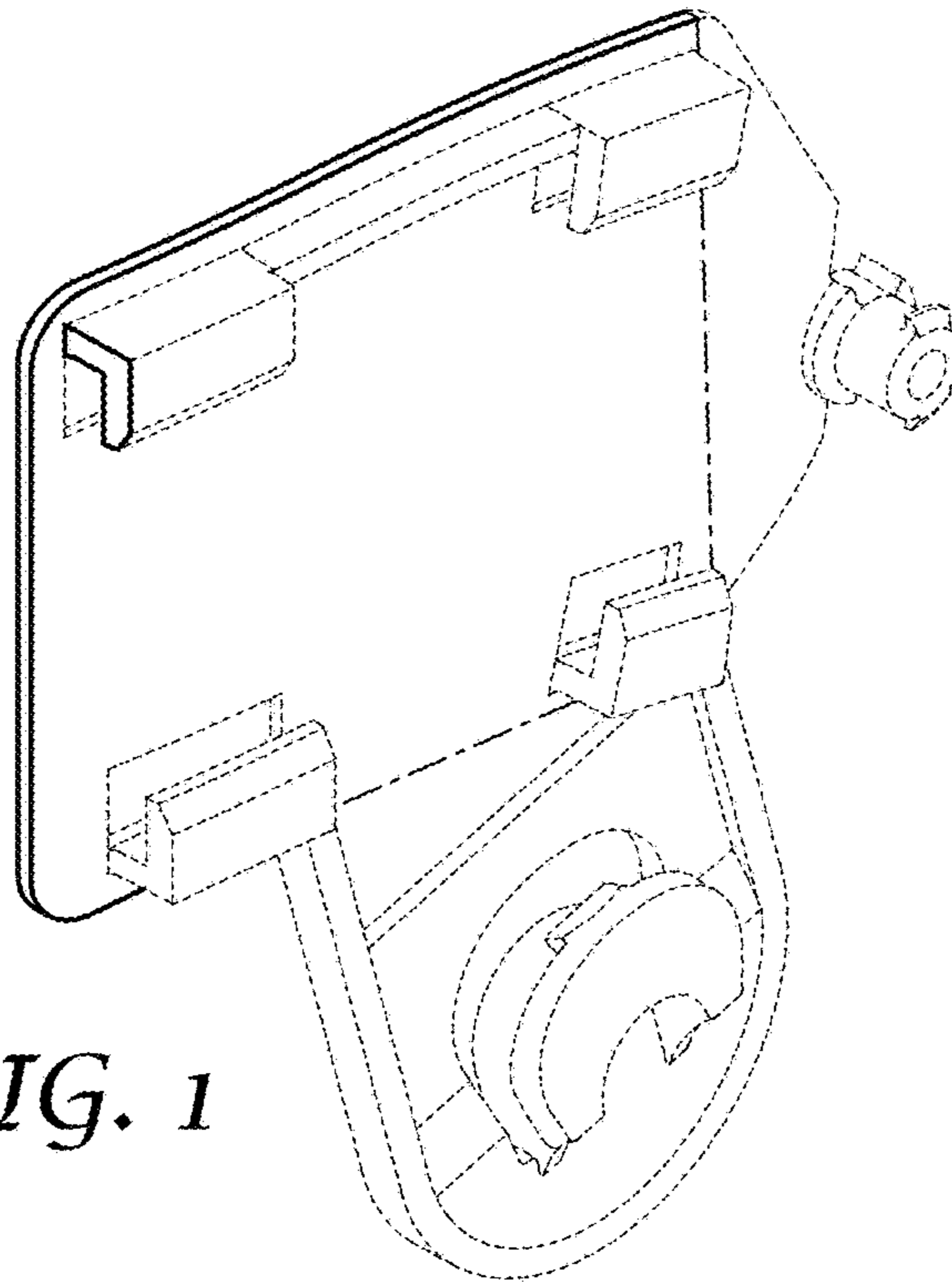
The ornamental design for a hardhat suspension adapter for half facepiece respirators, as shown and described.

**DESCRIPTION**

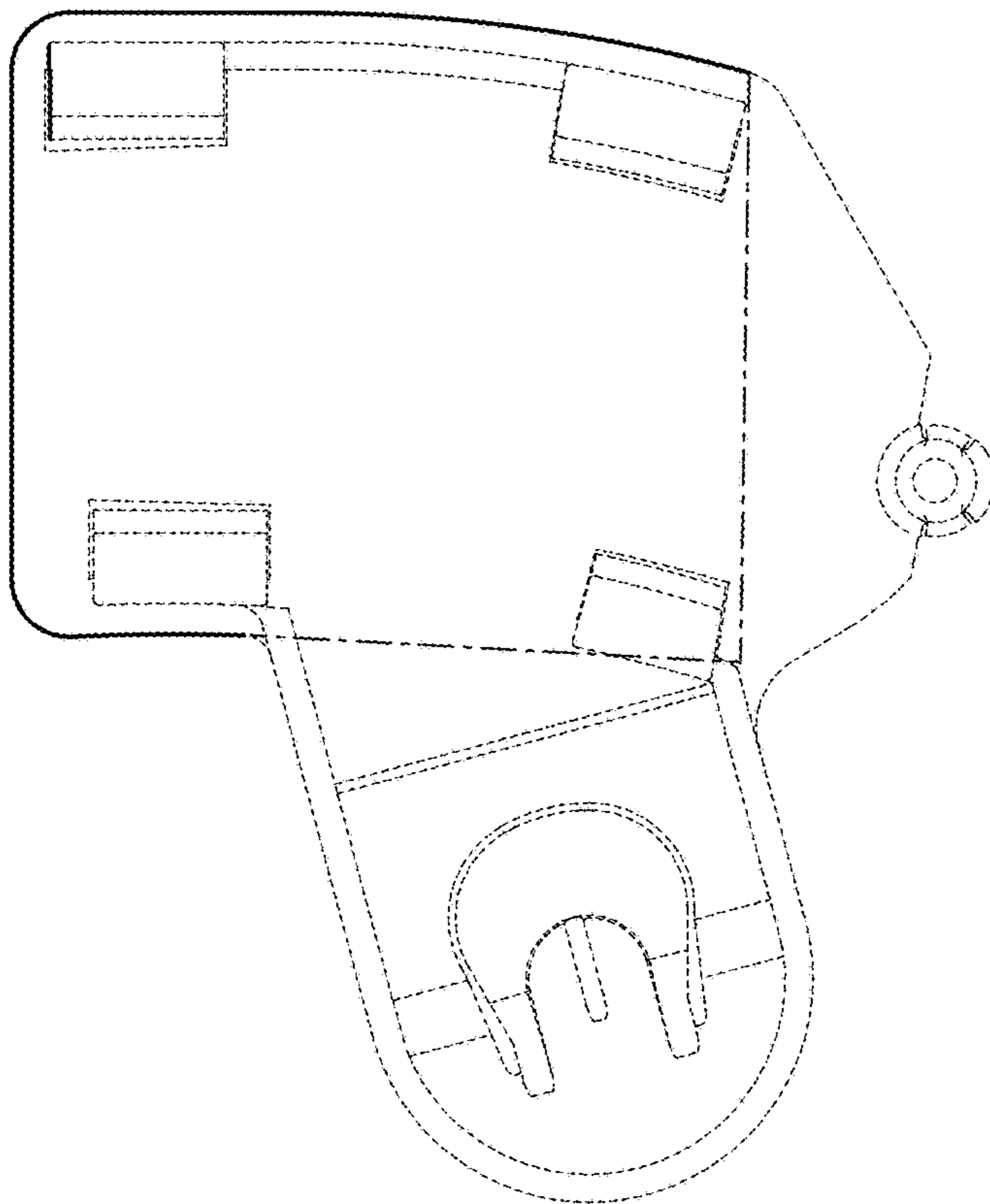
FIG. 1 is a front perspective view showing a new design for a hardhat suspension adapter for half facepiece respirators; FIG. 2 is a front view thereof; FIG. 3 is a side view thereof; FIG. 4 is a back view thereof; FIG. 5 is a second side view thereof; FIG. 6 is a top view thereof; and, FIG. 7 is a bottom view thereof.

The portions of the hardhat suspension adapter for half facepiece respirators in FIGS. 1 to 7 shown in broken lines are included to show features that form no part of the claimed design.

**1 Claim, 2 Drawing Sheets**



*FIG. 1*



*FIG. 2*



*FIG. 3*

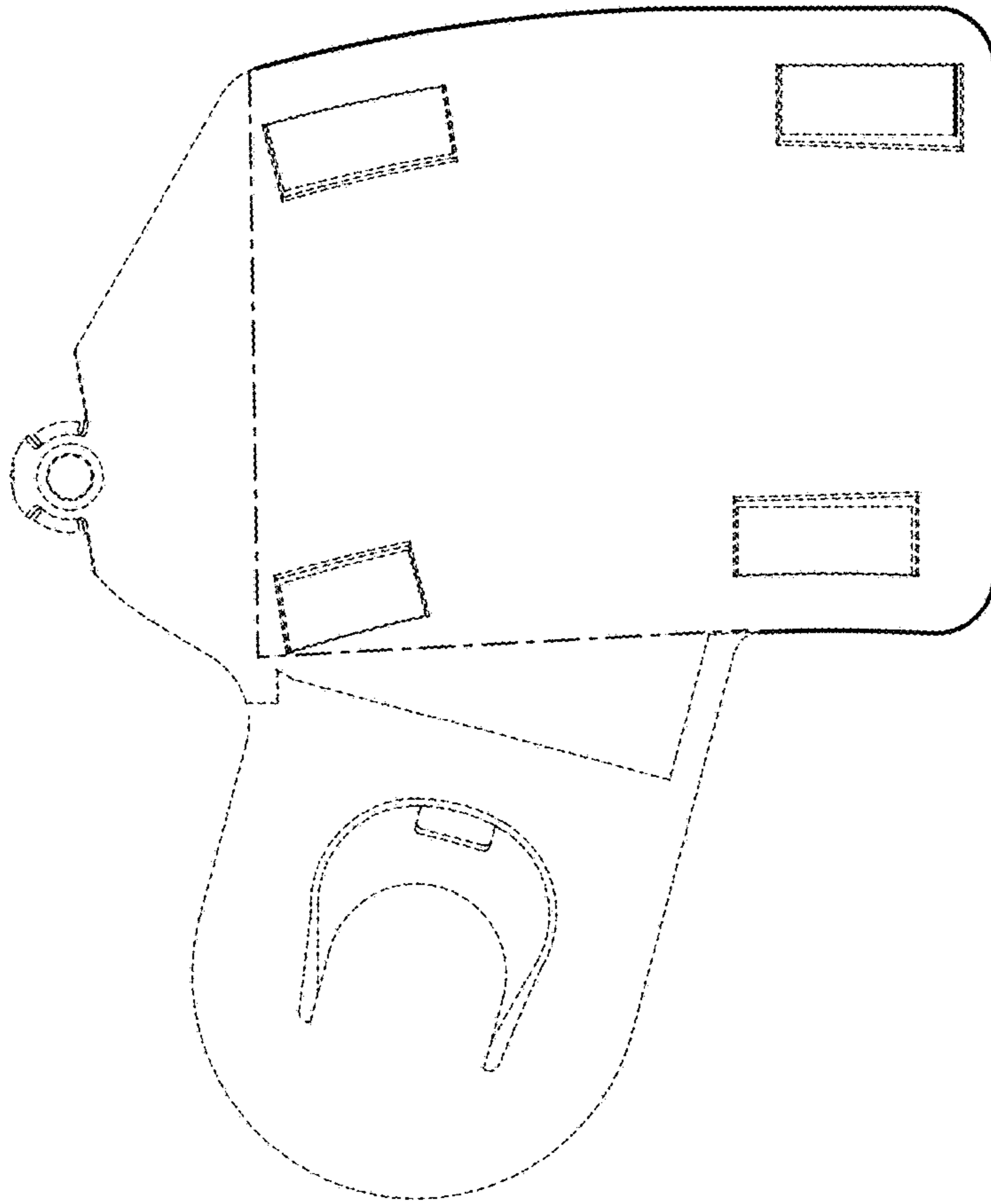


FIG. 4

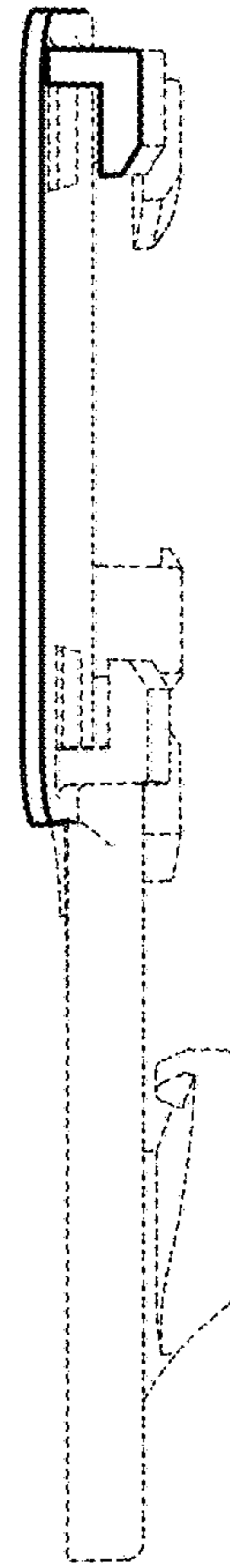


FIG. 5

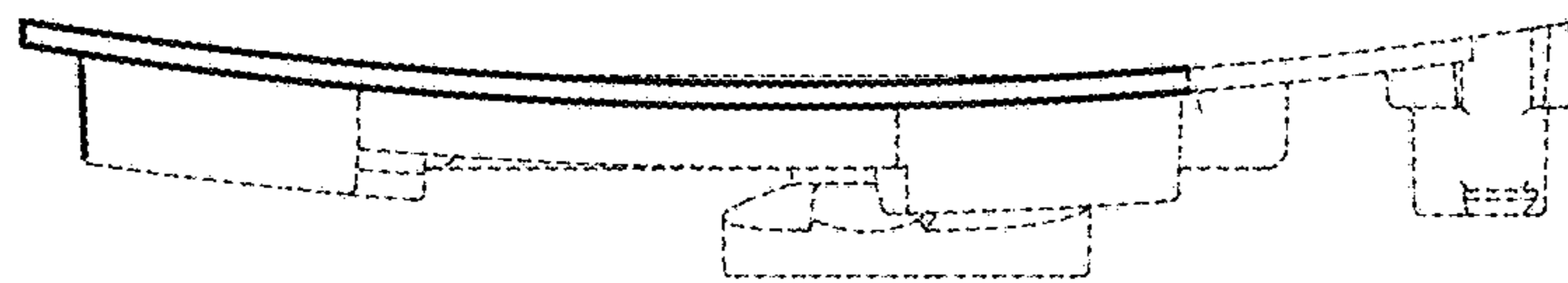


FIG. 6

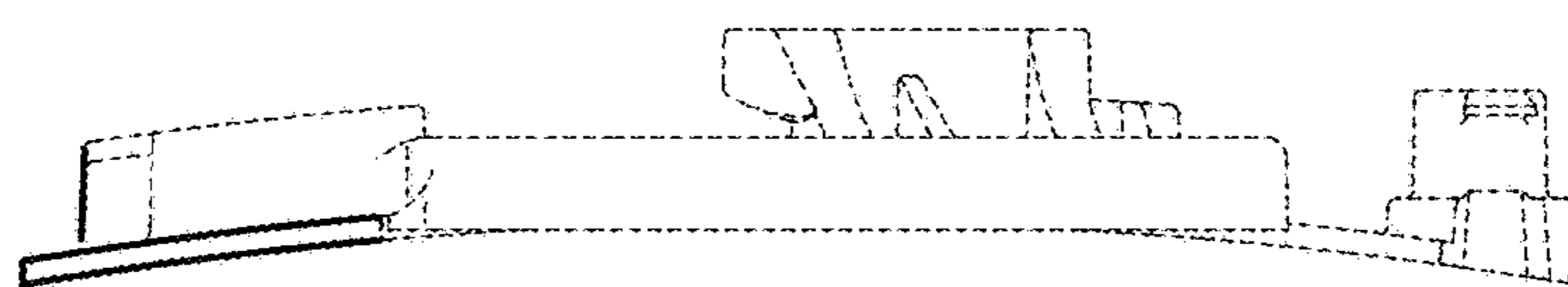


FIG. 7