



US00D842981S

(12) **United States Design Patent**  
**Bailey et al.**

(10) **Patent No.:** **US D842,981 S**  
(45) **Date of Patent:** **\*\* Mar. 12, 2019**

(54) **ATOMIZER**  
(71) Applicant: **Hamworthy Combustion Engineering Limited, Poole (GB)**

5,121,608 A 6/1992 Willis et al.  
5,176,325 A \* 1/1993 Vidusek ..... B05B 7/0483  
239/419.3  
5,253,807 A \* 10/1993 Newbegin ..... A01G 25/023  
239/11

(72) Inventors: **Keith Bailey, Poole (GB); Paul Newman, Poole (GB); Nick James, Poole (GB)**

(Continued)

(73) Assignee: **Hamworthy Combustion Engineering Limited, Poole (GB)**

**FOREIGN PATENT DOCUMENTS**

CN 2685718 Y 3/2005  
JP S5021742 U 3/1975

(Continued)

(\*\*) Term: **15 Years**

**OTHER PUBLICATIONS**

(21) Appl. No.: **29/611,331**

DDZ-GA-80—TinEye, image post date Oct. 16, 2014, site visited Jul. 4, 2018, (online), <[https://www.tineye.com/search/e8602bda4afdb417ae521be8804ff06d98677023/?sort=crawl\\_date&order=asc](https://www.tineye.com/search/e8602bda4afdb417ae521be8804ff06d98677023/?sort=crawl_date&order=asc)>.\*

(22) Filed: **Jul. 20, 2017**

(30) **Foreign Application Priority Data**

(Continued)

May 24, 2017 (EM) ..... 004017507

*Primary Examiner* — Kevin K Rudzinski

(51) **LOC (11) Cl.** ..... **23-03**

(57)

**CLAIM**

(52) **U.S. Cl.**  
USPC ..... **D23/418**

The ornamental design for an atomizer, as shown and described.

(58) **Field of Classification Search**  
USPC ..... D23/387, 390, 415, 418, 419, 499  
CPC ..... B01F 5/0256; B01J 4/002; B05B 1/14; B05B 1/26; B05B 1/34; B05B 7/0441; B05B 7/0483; B05B 7/02; B05B 7/06; B05B 7/066; B05B 7/08; B05B 7/0892; B05B 7/12; B05B 7/14; B05B 7/1486; C21C 5/4606; F23D 11/108; F23D 17/002; F23R 3/36; Y10S 261/09

**DESCRIPTION**

See application file for complete search history.

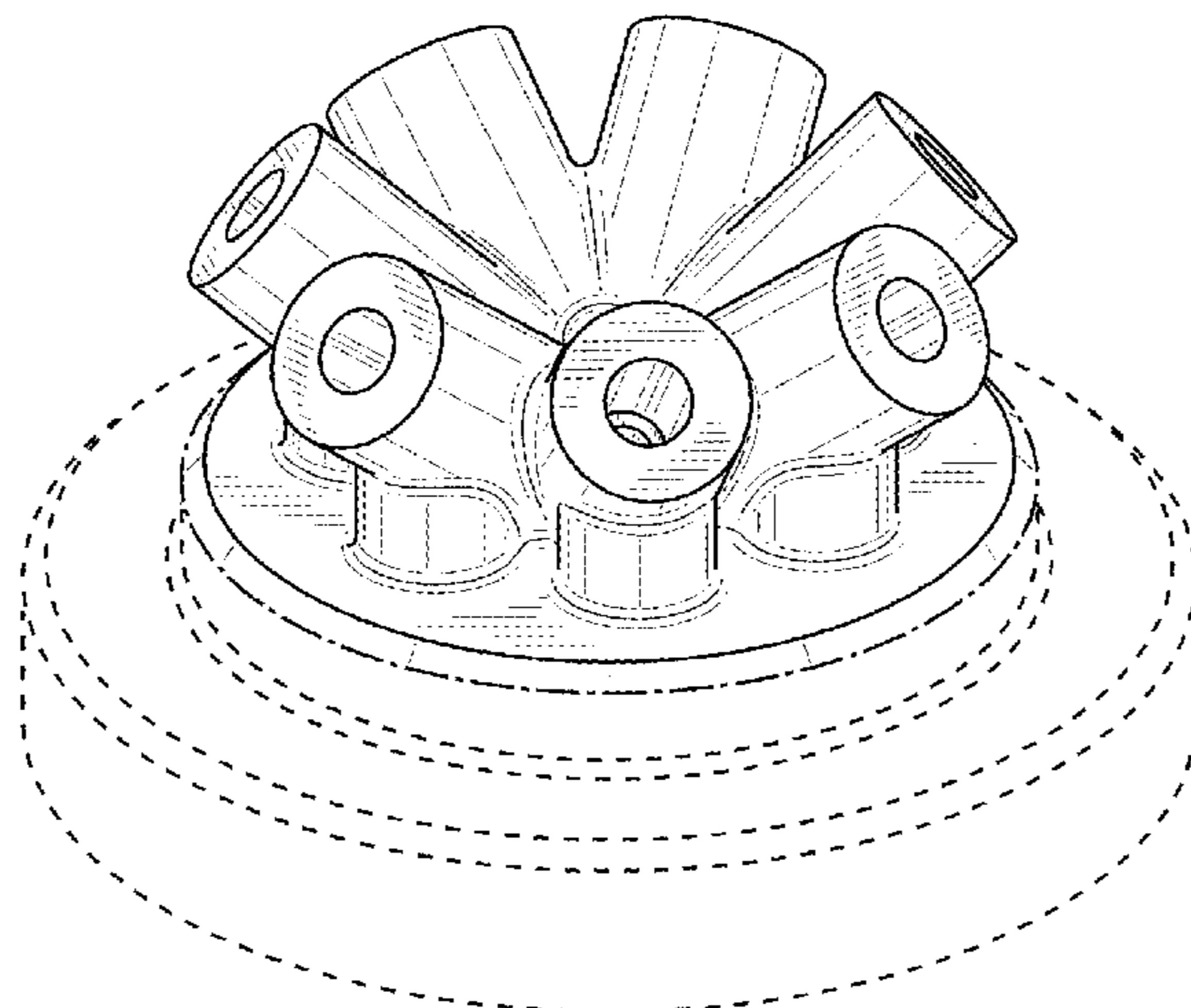
FIG. 1 is a front, top perspective view of an atomizer showing the new design;  
FIG. 2 is a front, bottom, left perspective view thereof;  
FIG. 3 is a top plan view thereof;  
FIG. 4 is a bottom plan view thereof;  
FIG. 5 is a front elevation view thereof;  
FIG. 6 is a left side view thereof;  
FIG. 7 is a right side view thereof; and,  
FIG. 8 is a cross-sectional view along line 8-8 of FIG. 3.  
The even length broken lines shown in the drawings illustrate portions of the atomizer that form no part of the claimed design. The uneven length broken lines illustrate the boundary of the claimed design, and form no part of the claimed design.

(56) **References Cited**

**U.S. PATENT DOCUMENTS**

3,304,014 A \* 2/1967 Hancock ..... F23D 14/04  
239/556  
4,518,120 A \* 5/1985 Johnson ..... B05B 1/14  
239/424

**1 Claim, 8 Drawing Sheets**



(56)

**References Cited**

U.S. PATENT DOCUMENTS

5,271,562 A 12/1993 Myers et al.  
 5,921,472 A 7/1999 Haruch  
 6,199,768 B1 3/2001 Koveal et al.  
 6,276,615 B1 \* 8/2001 Scholz ..... B05B 7/066  
 239/419  
 6,951,454 B2 \* 10/2005 Sarv ..... F23D 1/00  
 110/262  
 7,290,426 B2 \* 11/2007 Landvatter ..... B05B 1/14  
 72/342.3  
 7,429,173 B2 \* 9/2008 Lanary ..... F23C 9/00  
 431/116  
 7,500,849 B2 3/2009 Dudill et al.  
 7,547,002 B2 \* 6/2009 Mao ..... B01F 3/04049  
 261/78.1  
 7,588,199 B2 \* 9/2009 Huffman ..... B05B 1/34  
 239/290  
 D657,014 S \* 4/2012 Seiz ..... D23/213  
 8,584,467 B2 \* 11/2013 Khosla ..... F23D 11/38  
 60/39.26  
 8,820,664 B2 \* 9/2014 Sawalski ..... B67D 7/00  
 239/548  
 9,352,340 B2 \* 5/2016 Bourrilhon ..... A62C 31/05

9,393,579 B2 \* 7/2016 Ponomarev ..... B05B 7/0093  
 D763,670 S \* 8/2016 Monsees ..... D8/382  
 9,623,423 B2 \* 4/2017 Erickson ..... E03C 1/084  
 D789,513 S \* 6/2017 Nilssen ..... D23/415  
 D820,055 S \* 6/2018 Chen ..... D8/1  
 2005/0100846 A1 5/2005 Gutmark et al.  
 2011/0207064 A1 \* 8/2011 Salani ..... F23G 7/085  
 431/13

FOREIGN PATENT DOCUMENTS

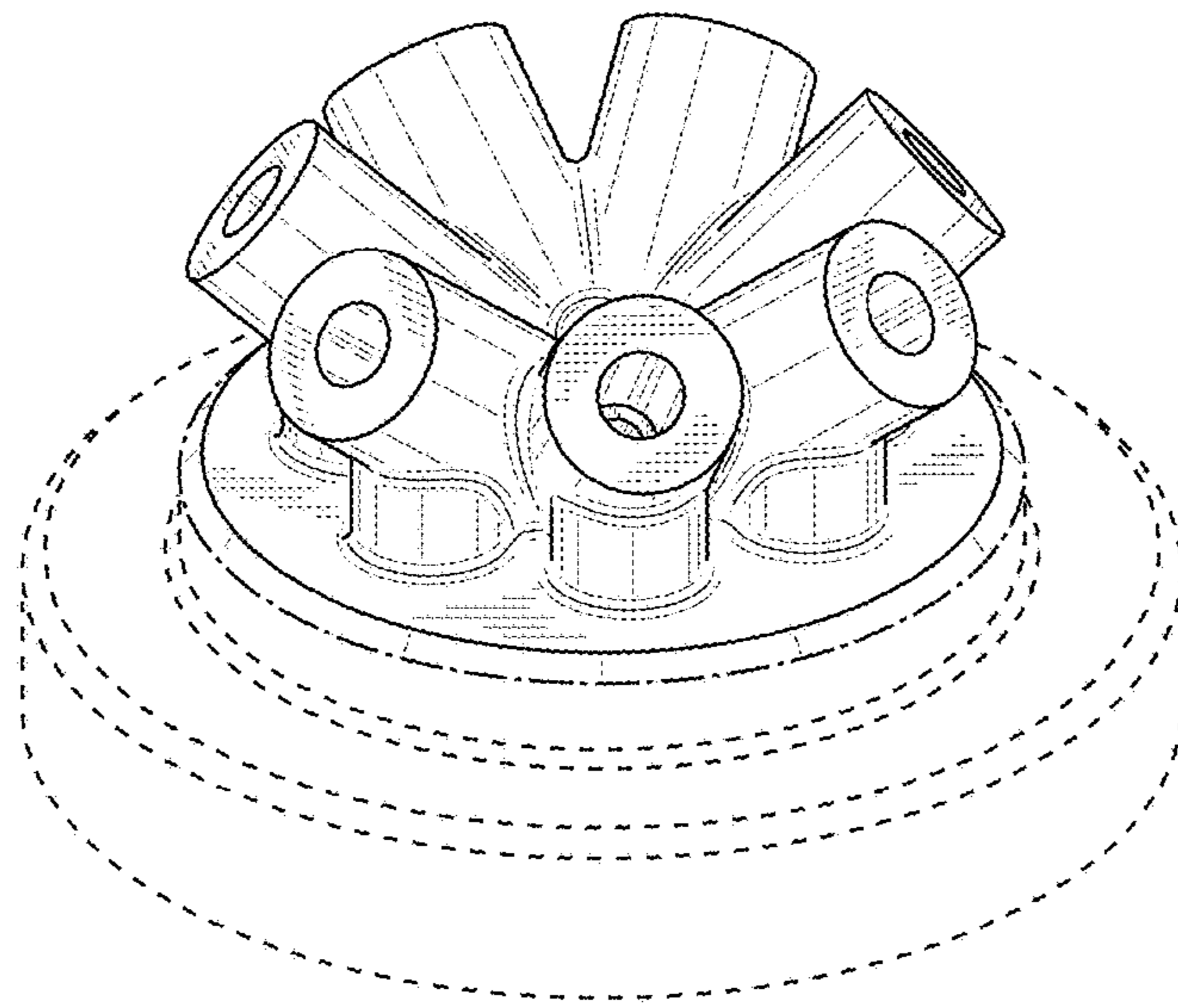
KR 20020051067 A 6/2002  
 WO WO2014024842 A1 2/2014

OTHER PUBLICATIONS

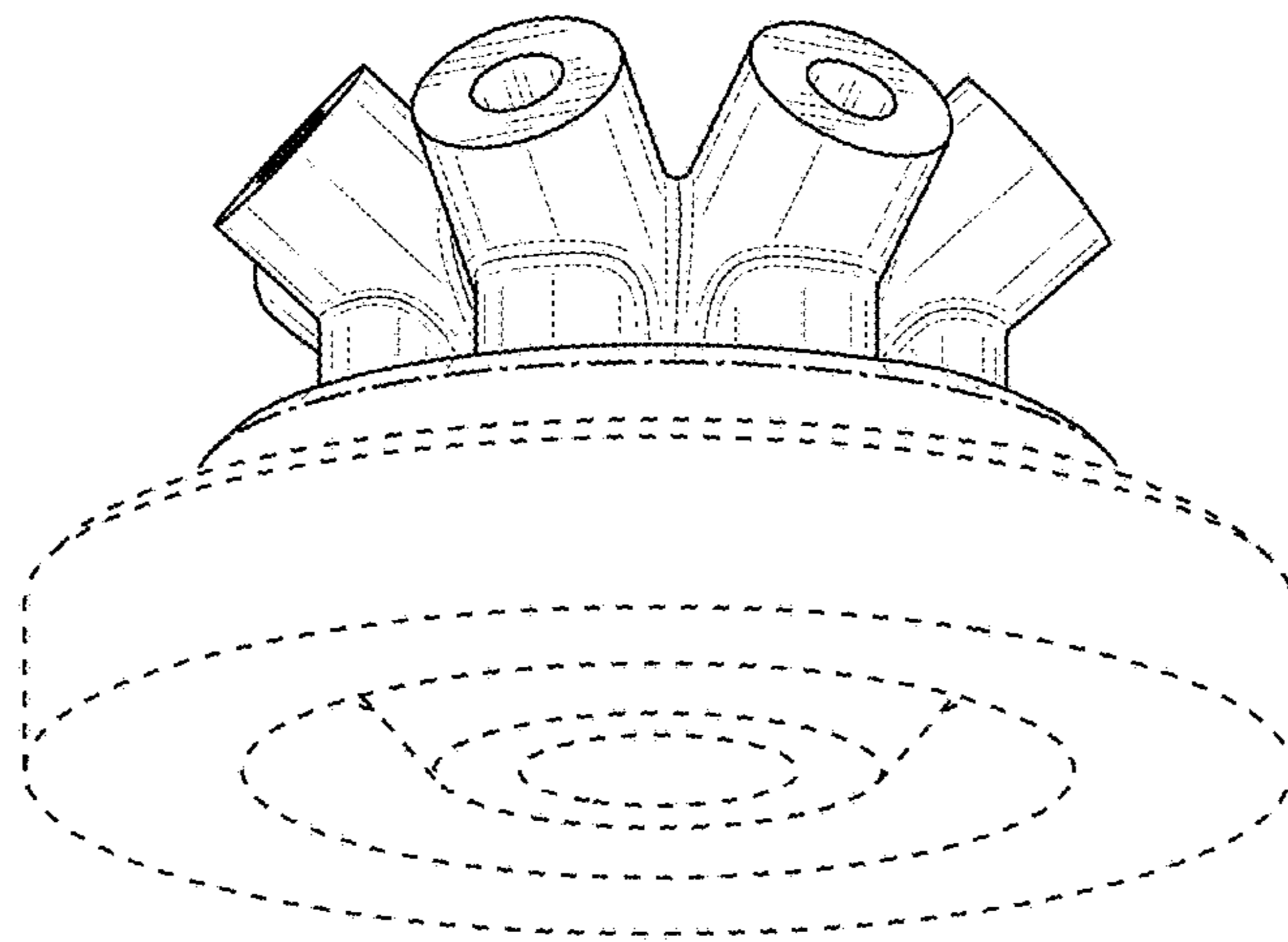
Oil burner nozzles—Alibaba, image post date 1999, site visited Jul. 4, 2018, (online), <[https://guide.alibaba.com/shopping-guides/china\\_oil-burner-nozzle.html](https://guide.alibaba.com/shopping-guides/china_oil-burner-nozzle.html)>.\*

Food equipment cast iron gas nozzles jets burner, image post date 2010, site visited Jul. 4, 2018, (online), <[https://www.aliexpress.com/item/Food-equipment-cast-iron-gas-nozzles\\_jets-burner-20-nozzle-tips-burner\\_jet-burner-with-LPG/32543727356.html](https://www.aliexpress.com/item/Food-equipment-cast-iron-gas-nozzles_jets-burner-20-nozzle-tips-burner_jet-burner-with-LPG/32543727356.html)>.\*

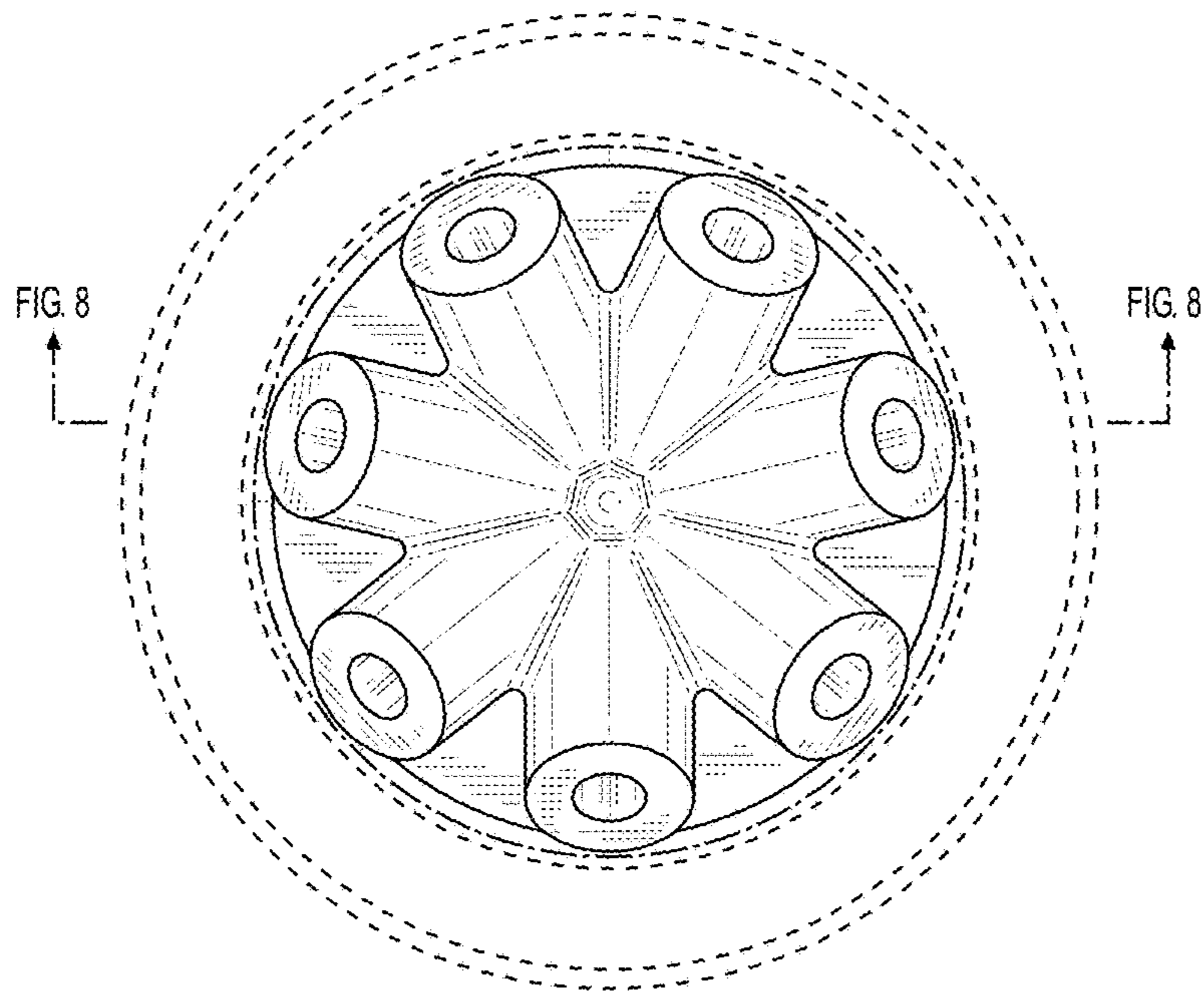
\* cited by examiner



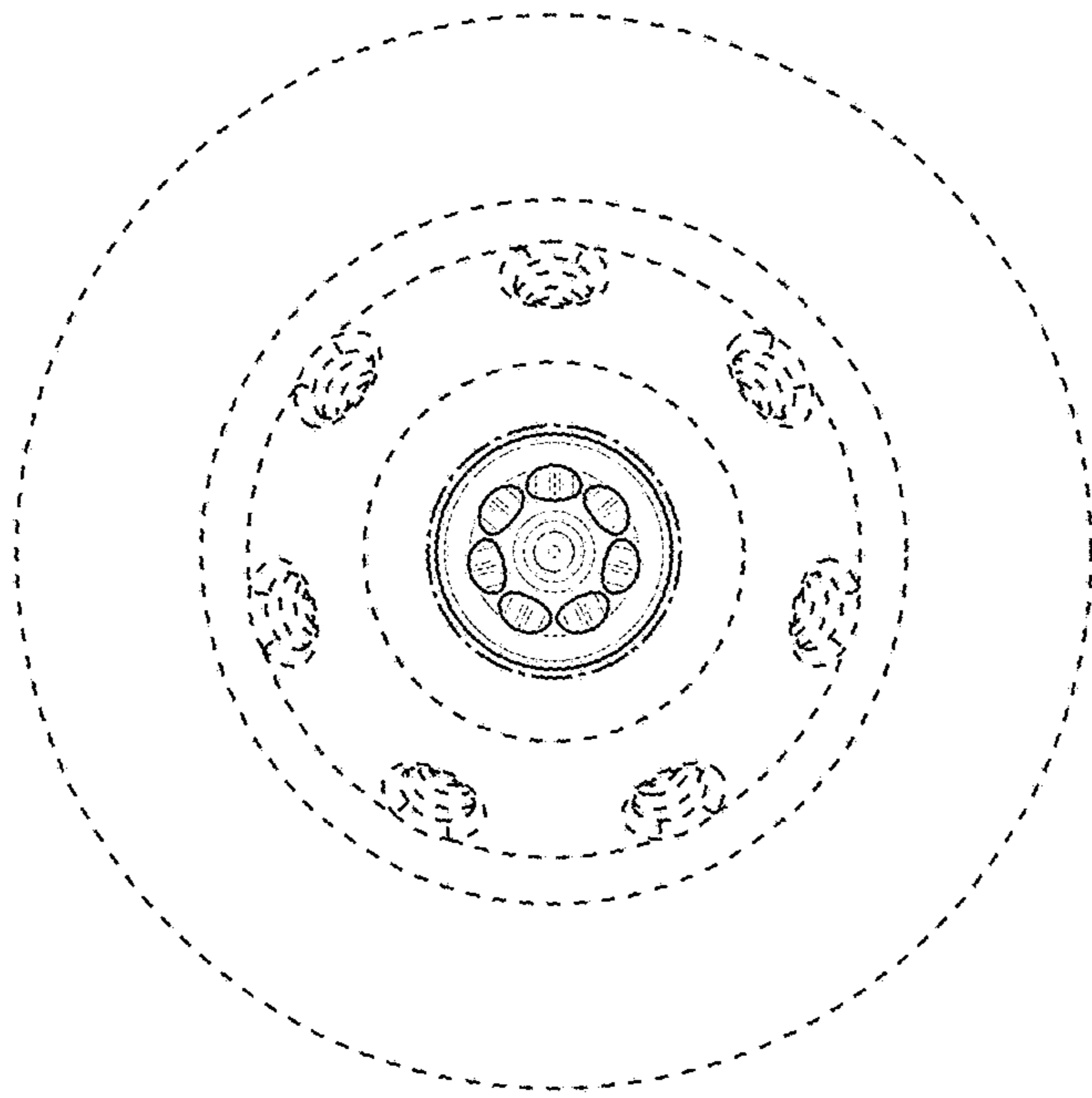
**FIG. 1**



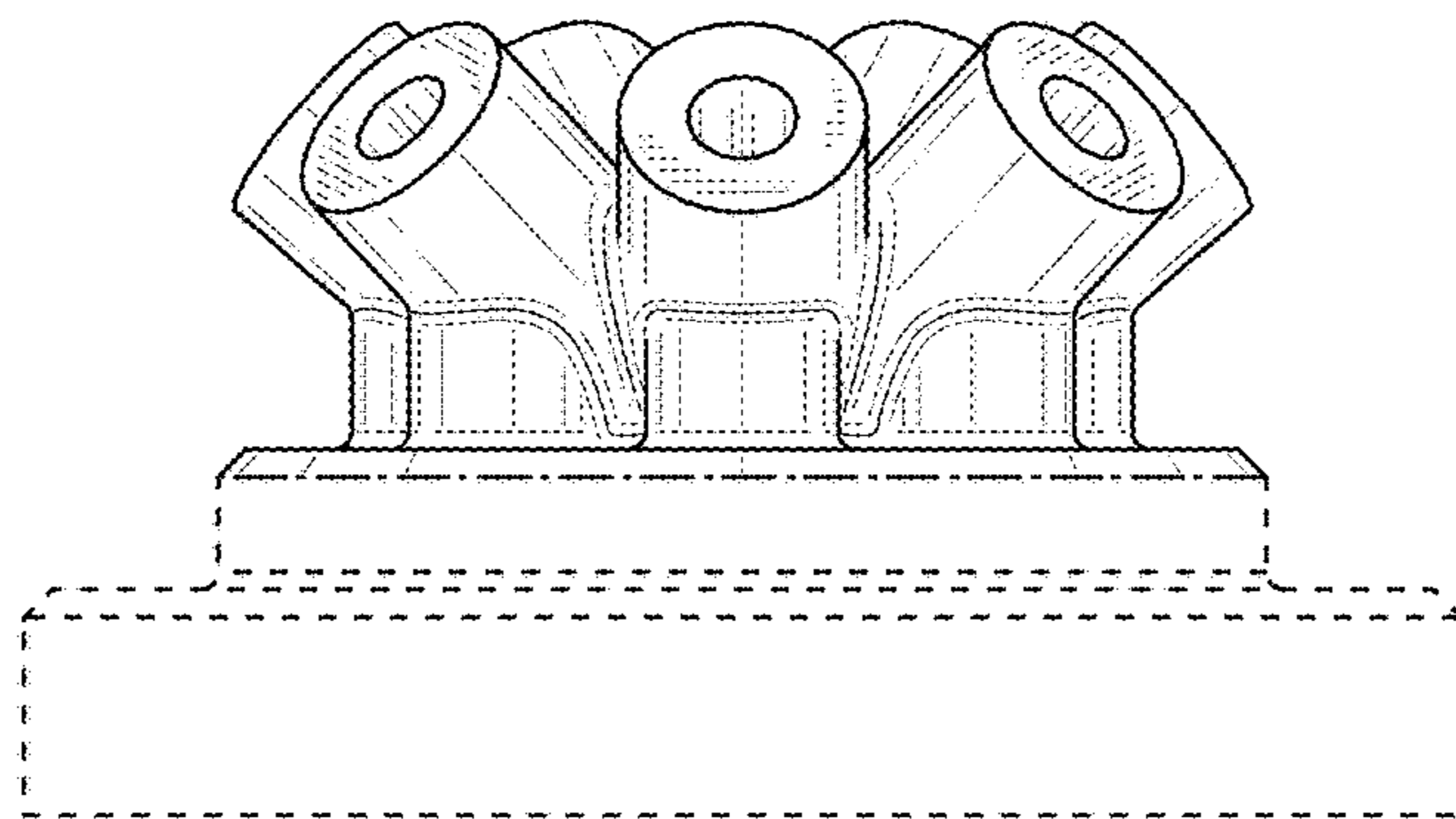
**FIG. 2**



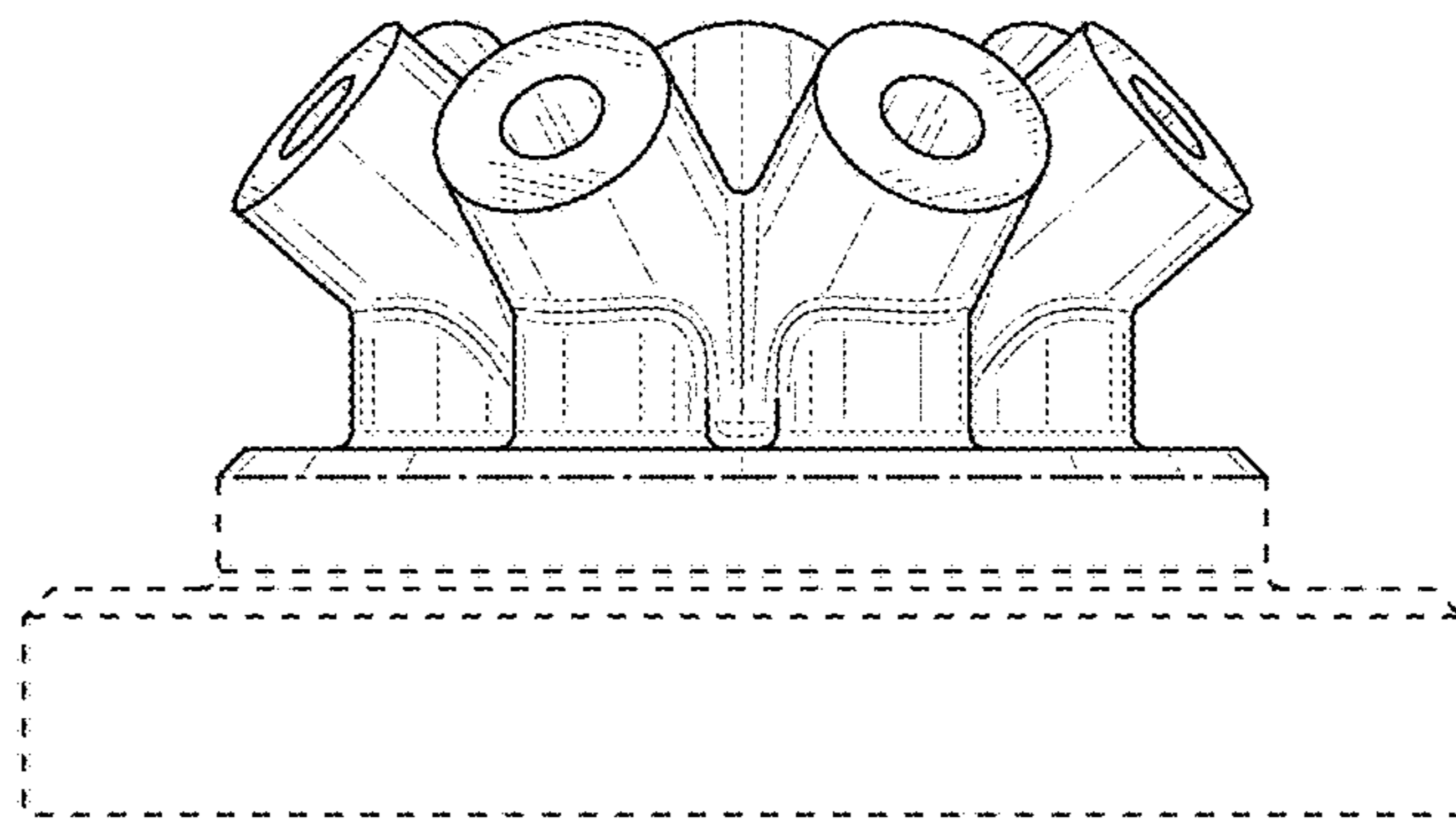
**FIG. 3**



**FIG. 4**

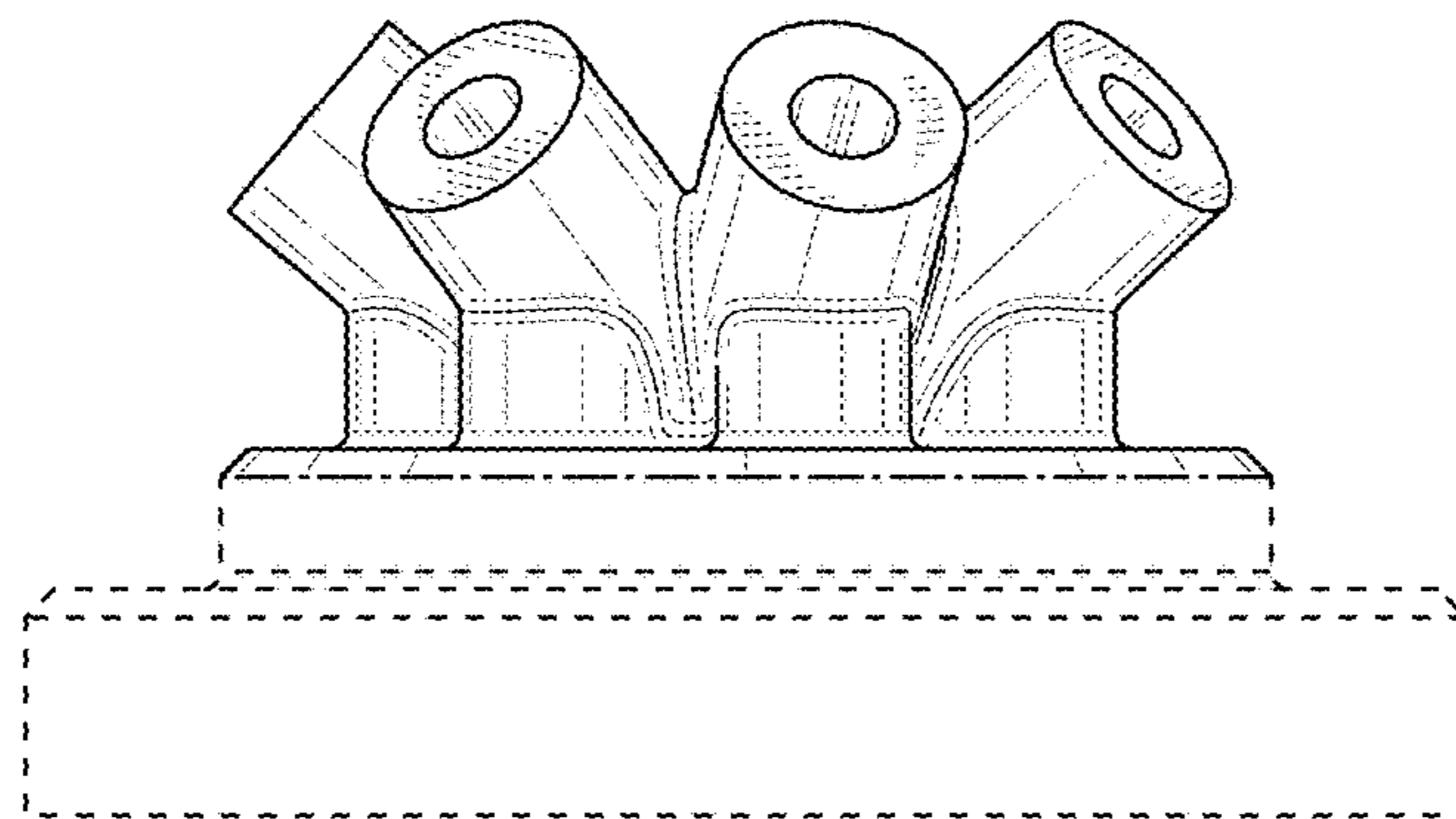


**FIG. 5**

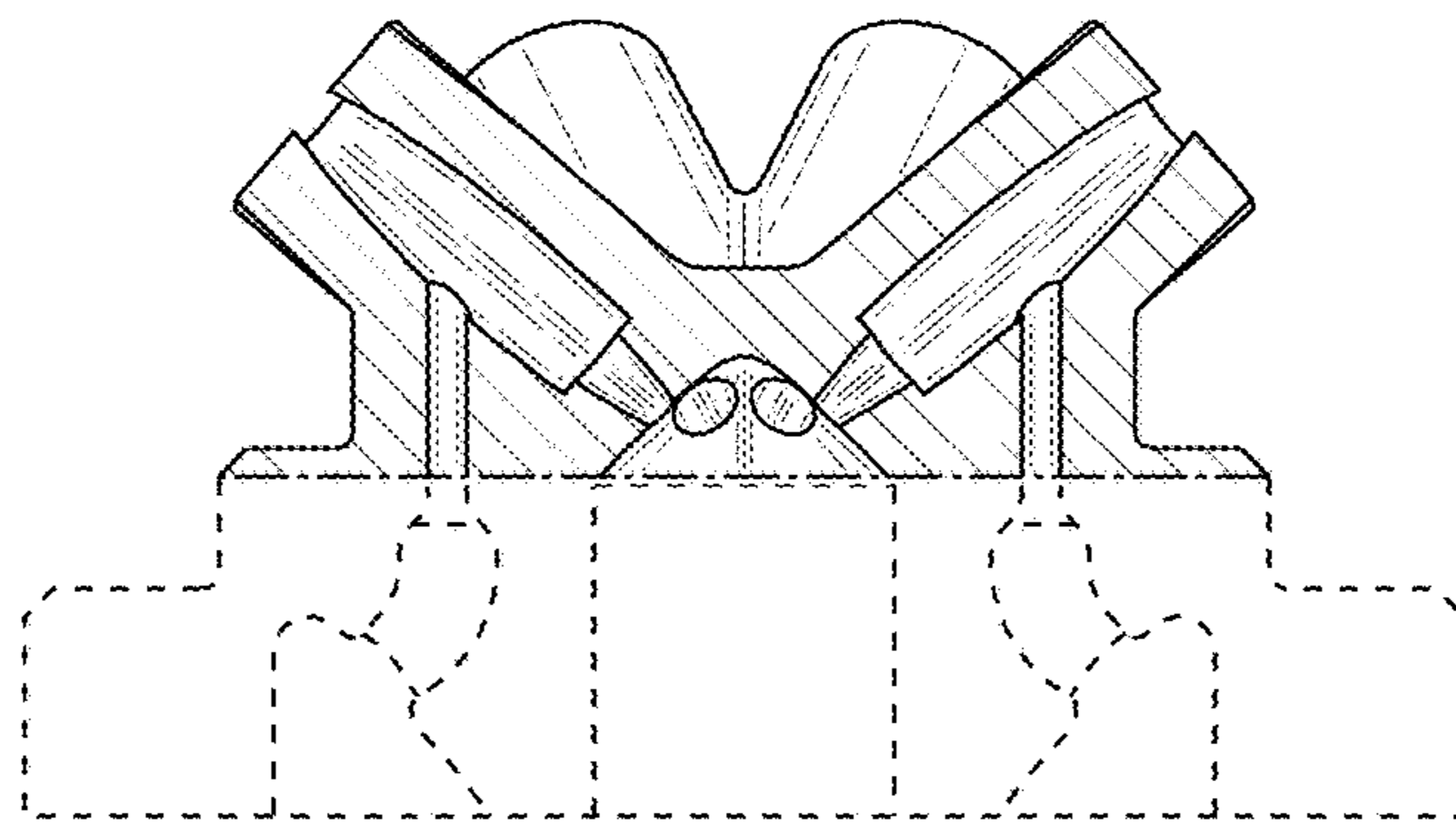


**FIG. 6**





**FIG. 7**



**FIG. 8**