



US00D842980S

(12) **United States Design Patent**  
**Bailey et al.**

(10) **Patent No.:** **US D842,980 S**  
(45) **Date of Patent:** **\*\* Mar. 12, 2019**

(54) **ATOMIZER**  
(71) Applicant: **Hamworthy Combustion Engineering Limited, Poole (GB)**  
(72) Inventors: **Keith Bailey, Poole (GB); Paul Newman, Poole (GB); Nick James, Poole (GB)**  
(73) Assignee: **Hamworthy Combustion Engineering Limited, Poole (GB)**

6,199,768 B1 3/2001 Koveal et al.  
6,276,615 B1 \* 8/2001 Scholz ..... B05B 7/066  
239/419  
6,702,574 B1 \* 3/2004 Dobbeling ..... F23C 7/002  
239/403

(Continued)

**FOREIGN PATENT DOCUMENTS**

CN 2685718Y Y 3/2005  
JP S5021742 U 3/1975

(Continued)

(\*\*) Term: **15 Years**

**OTHER PUBLICATIONS**

(21) Appl. No.: **29/611,327**  
(22) Filed: **Jul. 20, 2017**

Swirl Plate—Wayback Machine, image post date Aug. 16, 2016, site visited Jul. 4, 2018, (online), <<https://web.archive.org/web/20160816230342/http://boilerpartsunlimited.com/products/7500p-093-91543-swirl-plate.html>>.\*

(30) **Foreign Application Priority Data**

May 24, 2017 (EM) ..... 004017507

*Primary Examiner* — Kevin K Rudzinski

(51) **LOC (11) Cl.** ..... **23-03**

(57) **CLAIM**

(52) **U.S. Cl.**  
USPC ..... **D23/418**

The ornamental design for an atomizer, as shown and described.

(58) **Field of Classification Search**  
USPC ..... D23/387, 390, 415, 418, 419, 499  
CPC ..... B01F 5/0256; B01J 4/002; B05B 1/14; B05B 1/26; B05B 1/34; B05B 7/0441; B05B 7/0483; B05B 7/02; B05B 7/06; B05B 7/066; B05B 7/08; B05B 7/0892; B05B 7/12; B05B 7/14; B05B 7/1486; C21C 5/4606; F23D 11/108; F23D 17/002; F23R 3/36; Y10S 261/09  
See application file for complete search history.

**DESCRIPTION**

FIG. 1 is a front, top, left perspective view of an atomizer showing the new design;  
FIG. 2 is a front, top, right perspective view thereof;  
FIG. 3 is a front, top perspective view thereof;  
FIG. 4 is a left, bottom perspective view thereof;  
FIG. 5 is a top plan view thereof;  
FIG. 6 is a bottom plan view thereof;  
FIG. 7 is a front elevation view thereof; and,  
FIG. 8 is a left side view thereof.

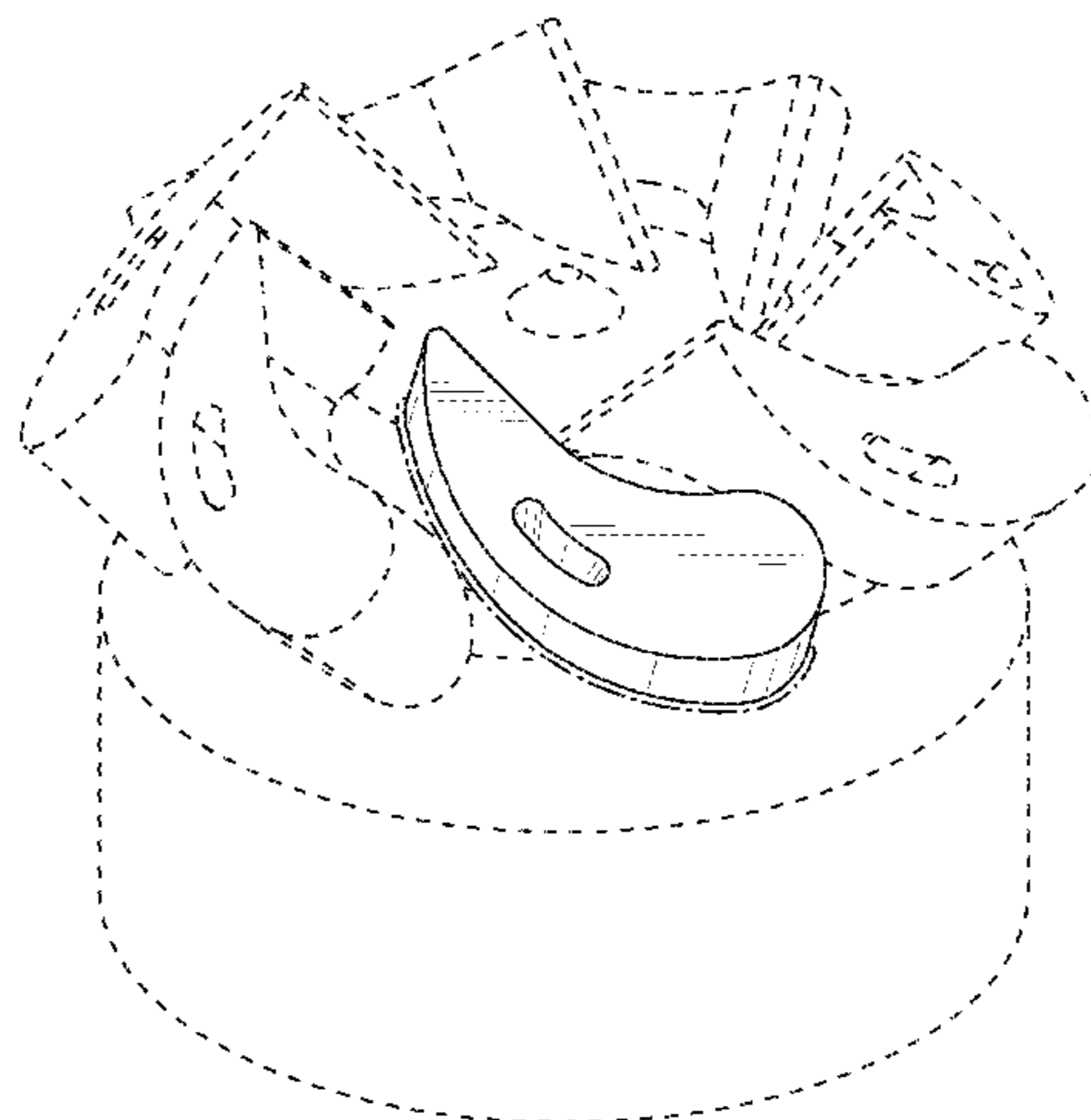
The even length broken lines shown in the drawings illustrate portions of the atomizer that form no part of the claimed design. The uneven length broken lines illustrate the boundary of the claimed design, and form no part of the claimed design.

(56) **References Cited**

**U.S. PATENT DOCUMENTS**

5,121,608 A 6/1992 Willis et al.  
D342,661 S \* 12/1993 Liao ..... D8/303  
5,271,562 A 12/1993 Myers et al.  
D403,803 S \* 1/1999 Alger ..... D26/139  
5,921,472 A 7/1999 Haruch

**1 Claim, 8 Drawing Sheets**



(56)

References Cited

U.S. PATENT DOCUMENTS

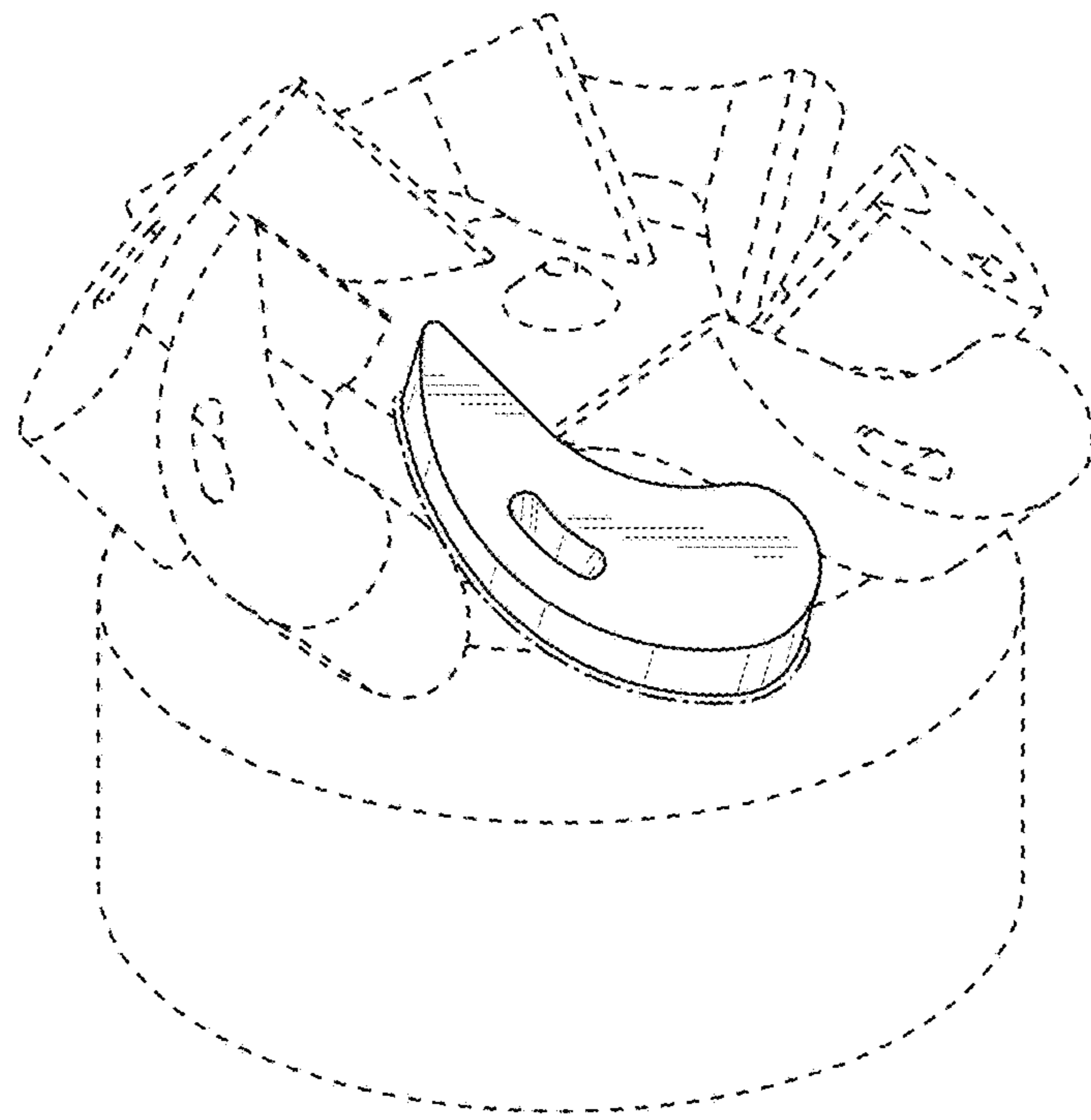
6,712,968 B2 \* 3/2004 Romanyszyn ..... B01F 5/0256  
 210/512.1  
 D544,753 S \* 6/2007 Tseng ..... D7/407  
 7,407,572 B2 \* 8/2008 Steffens ..... B01J 4/002  
 208/113  
 7,500,849 B2 3/2009 Dudill et al.  
 7,588,199 B2 \* 9/2009 Huffman ..... B05B 1/34  
 239/290  
 7,735,756 B2 \* 6/2010 Schindler ..... B05B 1/02  
 239/404  
 7,878,096 B2 \* 2/2011 Banks ..... B05B 1/14  
 82/1.11  
 7,975,486 B2 \* 7/2011 Eroglu ..... F23C 7/002  
 431/351  
 D657,014 S \* 4/2012 Seiz ..... D23/213  
 D657,442 S \* 4/2012 Siemie czuk ..... D23/418  
 8,739,545 B2 \* 6/2014 Cant ..... F23C 7/004  
 60/39.463  
 8,770,355 B2 \* 7/2014 Gaspers ..... F16D 65/123  
 188/218 XL  
 D730,263 S \* 5/2015 Akita ..... D12/307  
 9,086,107 B2 \* 7/2015 Kokott ..... F16D 65/128  
 D741,001 S \* 10/2015 Alarcon ..... D27/167  
 D742,998 S \* 11/2015 Gooden ..... B05B 7/2443  
 D23/225  
 D746,007 S \* 12/2015 Oh ..... D32/29  
 9,400,105 B2 \* 7/2016 Genin ..... F23R 3/286  
 D763,430 S \* 8/2016 Shin ..... D23/368  
 D765,966 S \* 9/2016 Dandachli ..... D3/211

D766,590 S \* 9/2016 Lee ..... D28/10  
 D771,795 S \* 11/2016 Wang ..... D23/411  
 9,493,174 B2 \* 11/2016 Nishimura ..... B61F 5/52  
 D773,297 S \* 12/2016 Liu ..... D6/542  
 D779,776 S \* 2/2017 Petersen ..... D1/120  
 9,579,669 B2 \* 2/2017 Al-Ansary ..... B05B 1/34  
 D781,025 S \* 3/2017 Pope ..... D1/125  
 D781,708 S \* 3/2017 Jasso Gomez ..... D9/451  
 D785,901 S \* 5/2017 Wilson ..... D1/125  
 D791,930 S \* 7/2017 Rivera ..... D23/415  
 D793,929 S \* 8/2017 Wen ..... D12/180  
 9,821,179 B2 \* 11/2017 Kristensen ..... B05B 1/14  
 D814,008 S \* 3/2018 Munz ..... D23/370  
 D820,966 S \* 6/2018 De Filippis ..... D23/370  
 D820,970 S \* 6/2018 Badarello ..... D23/413  
 D821,557 S \* 6/2018 Schaub ..... D23/365  
 9,987,643 B2 \* 6/2018 Burns ..... B05B 7/2472  
 2005/0100846 A1 5/2005 Gutmark et al.  
 2007/0193816 A1 \* 8/2007 Hidaka ..... B62D 21/02  
 180/374  
 2008/0098499 A1 \* 4/2008 Oxborrow ..... B01F 5/0616  
 60/324  
 2008/0318481 A1 \* 12/2008 Kamio ..... B63H 11/08  
 440/38  
 2014/0210224 A1 \* 7/2014 Hashimoto ..... H01L 21/67742  
 294/213

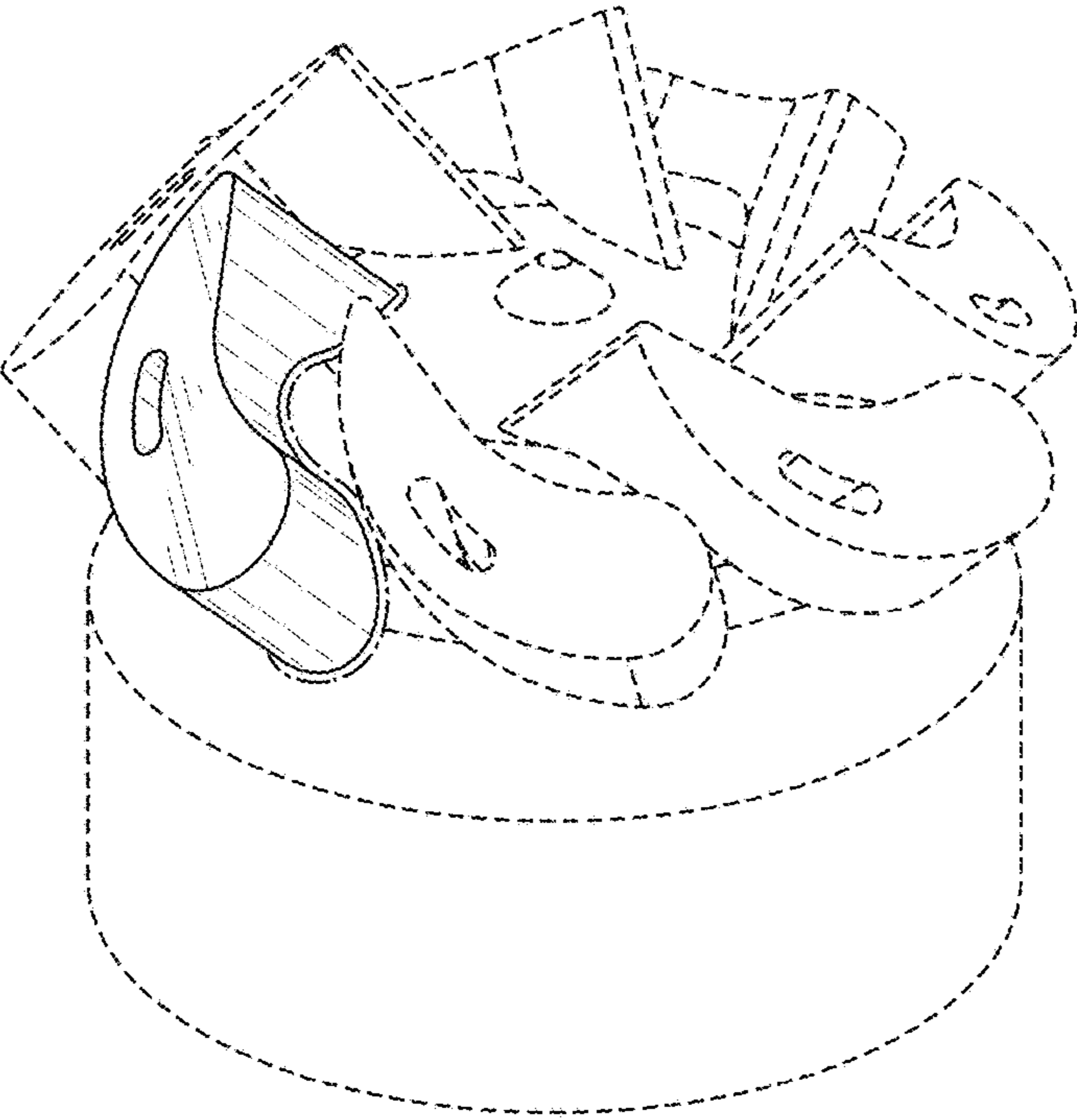
FOREIGN PATENT DOCUMENTS

KR 20020051067 A 6/2002  
 WO WO2014024842 A1 2/2014

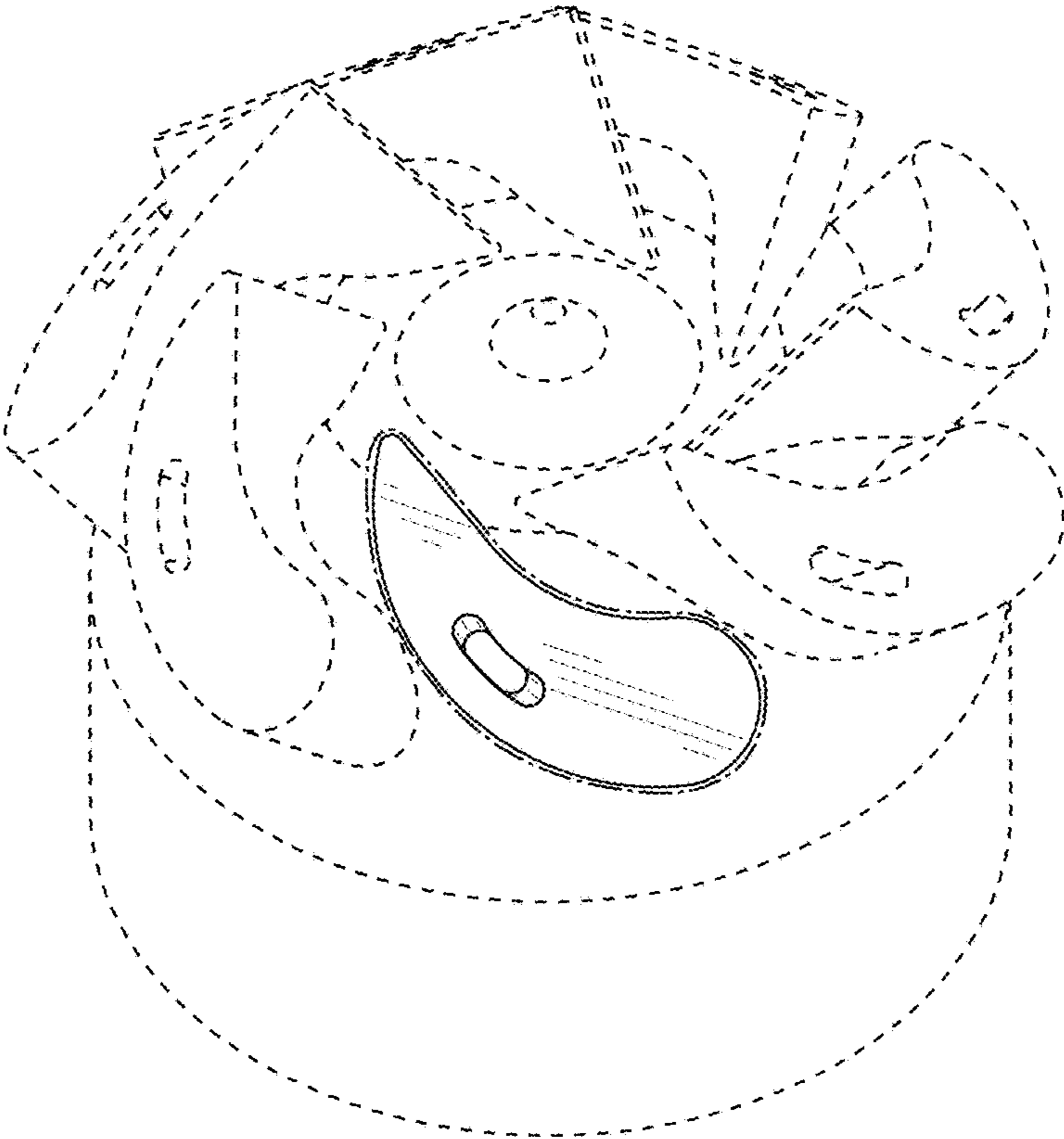
\* cited by examiner



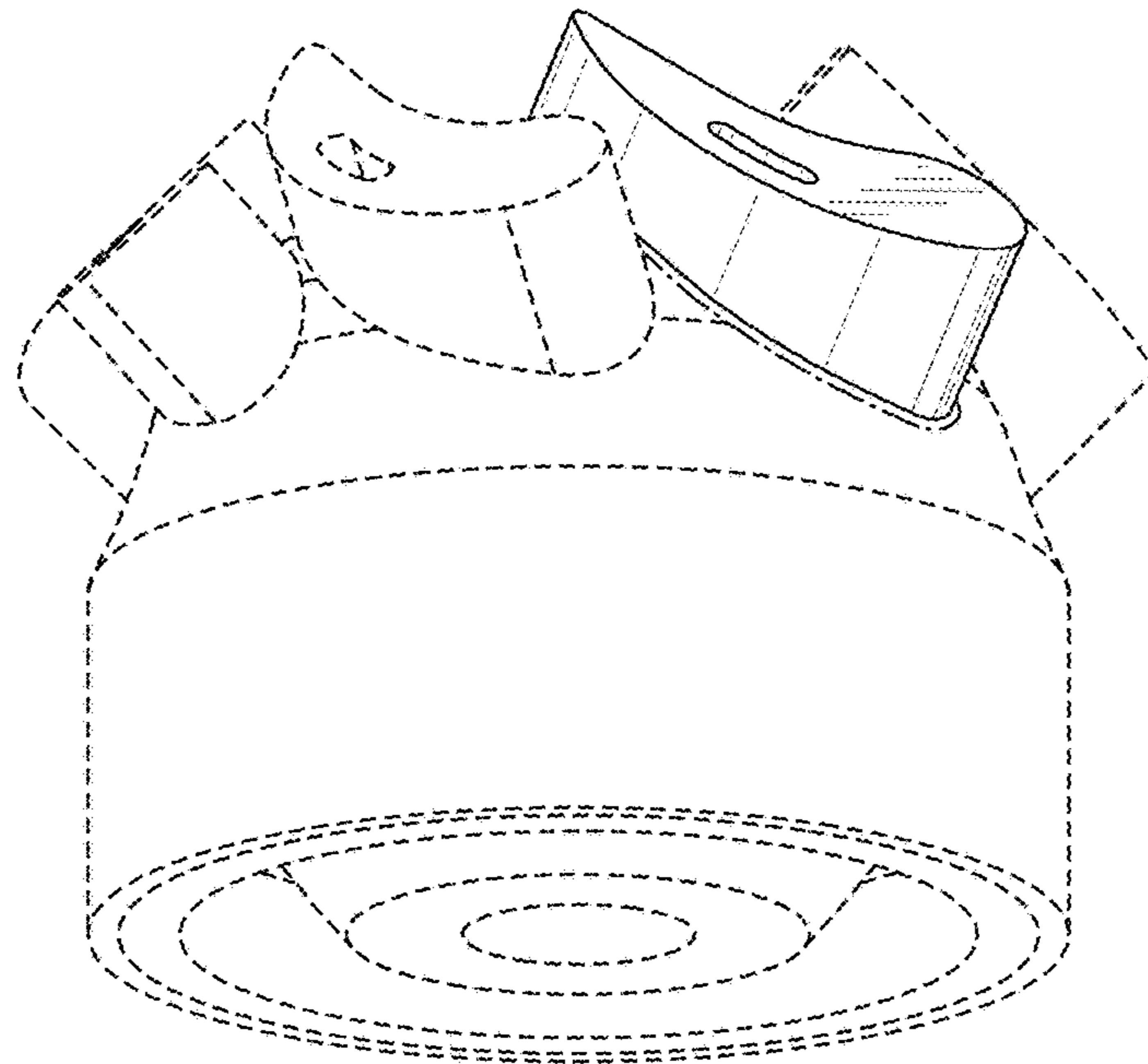
**FIG. 1**



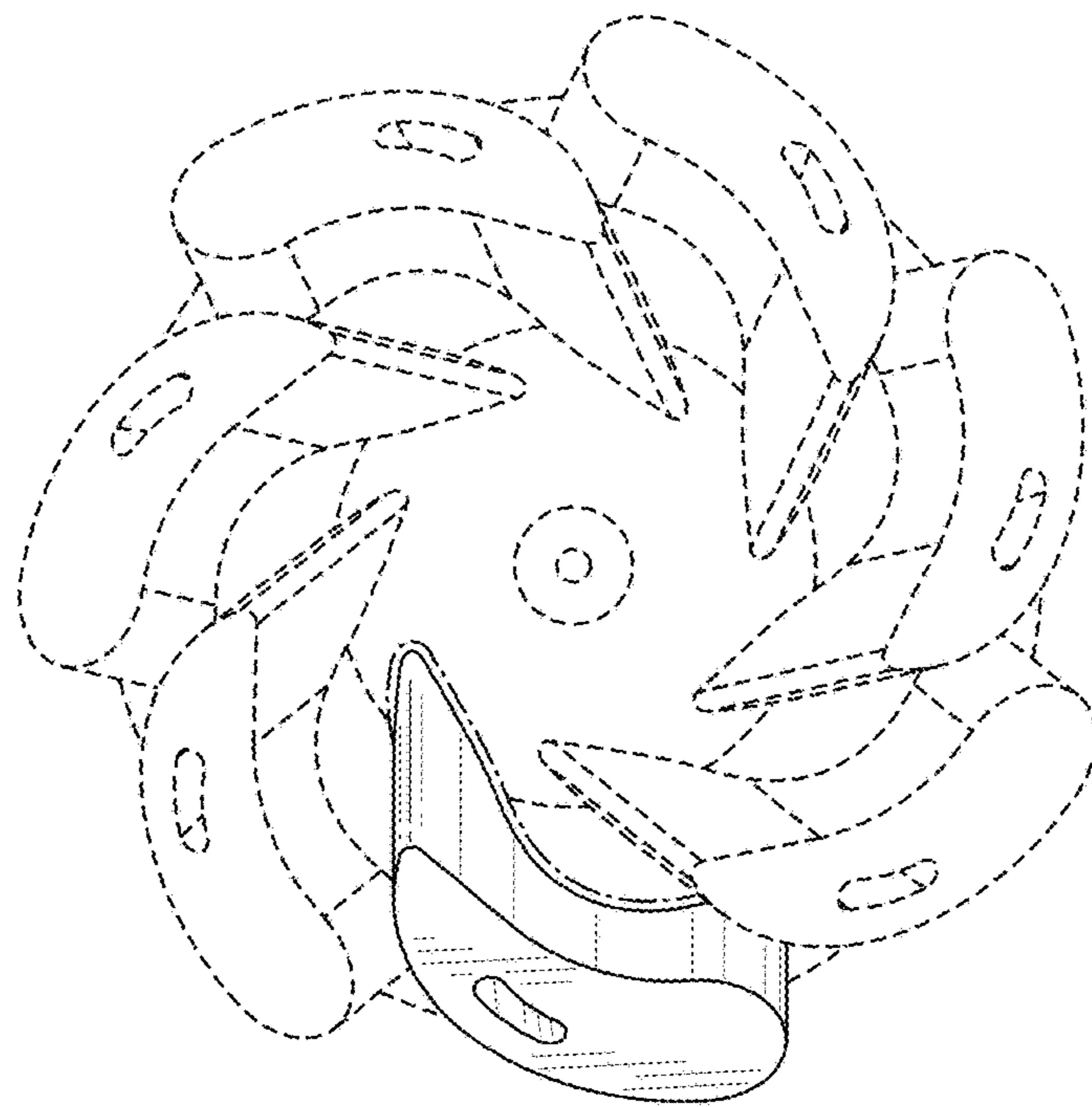
**FIG. 2**



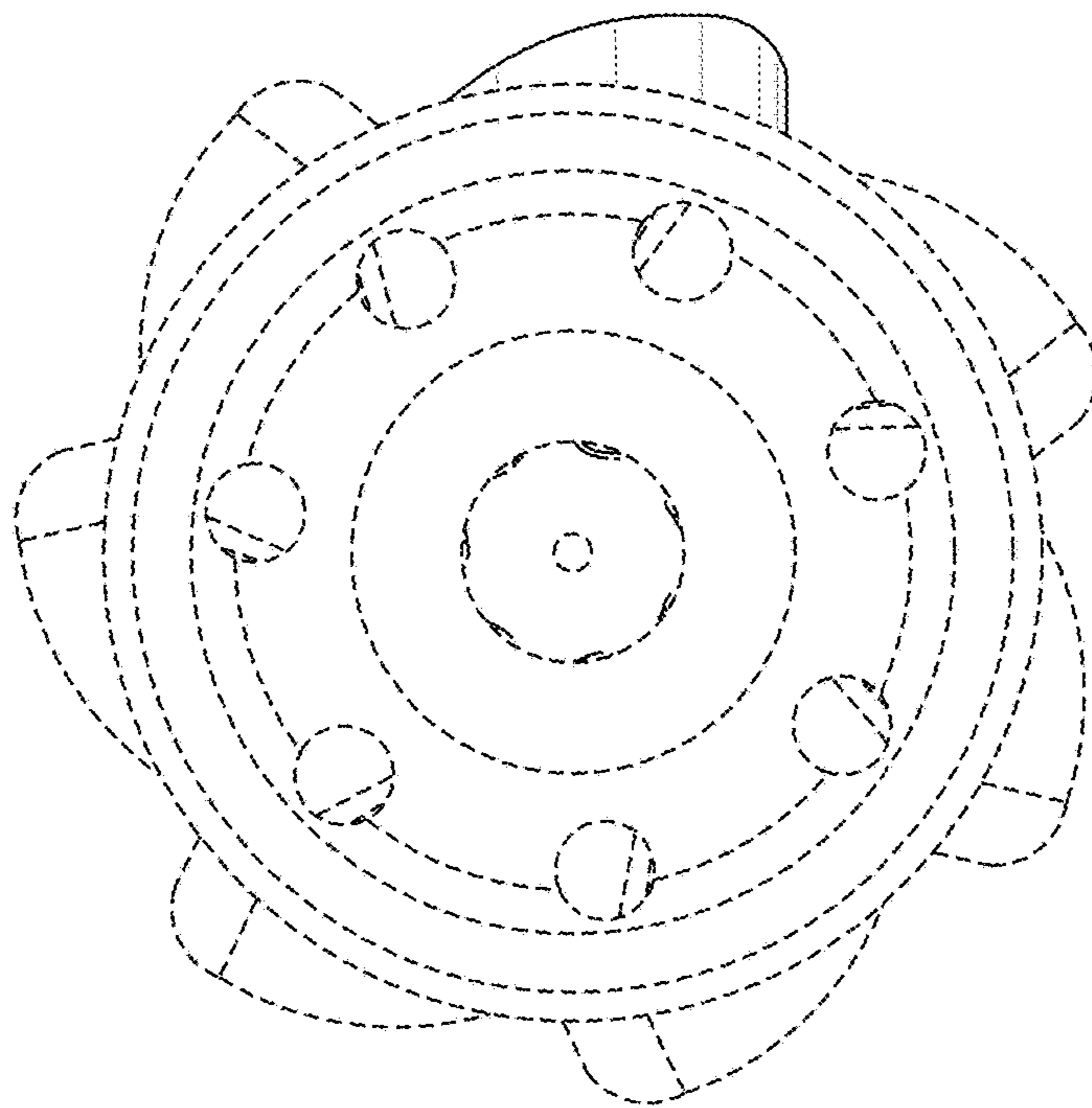
**FIG. 3**



**FIG. 4**

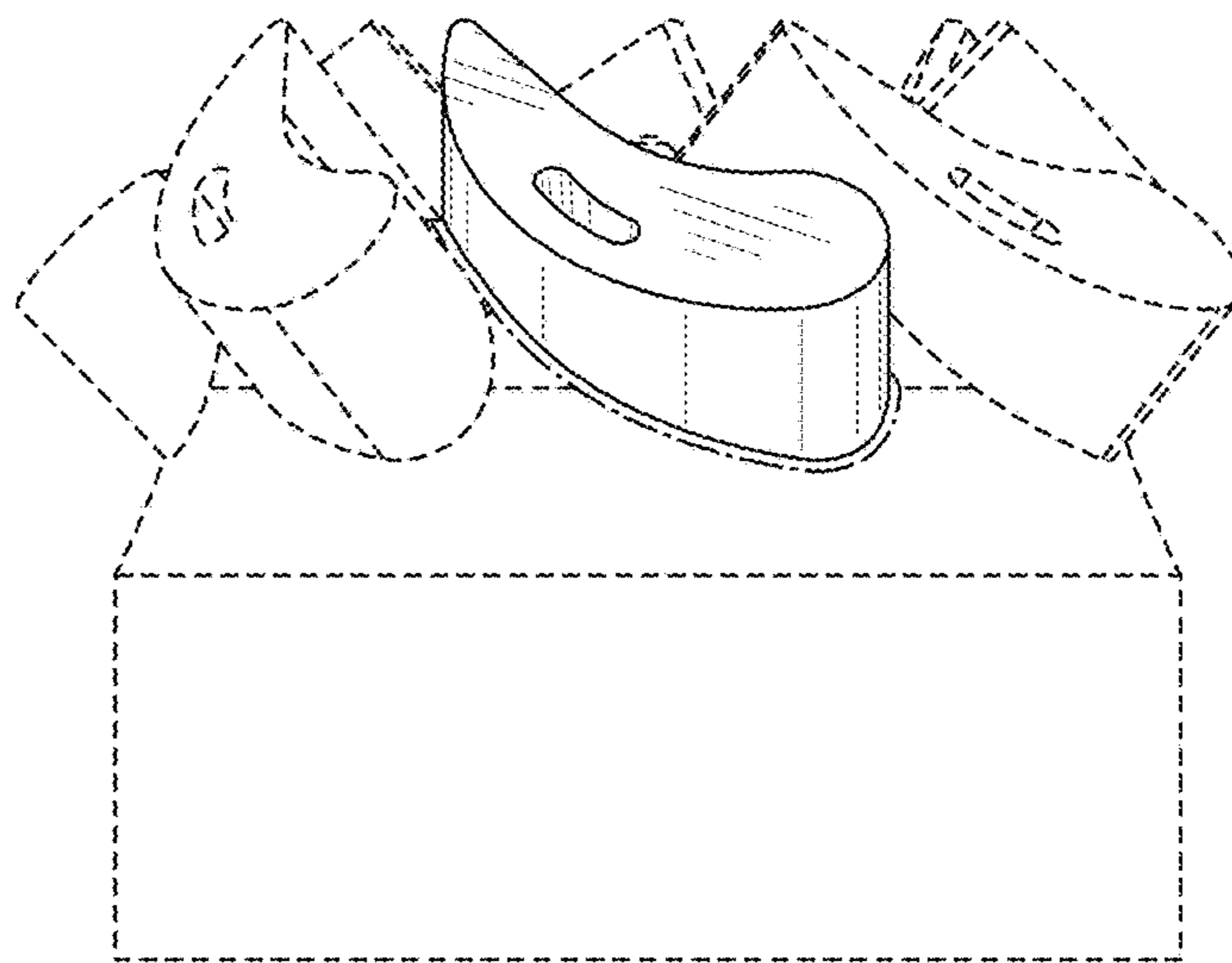


**FIG. 5**

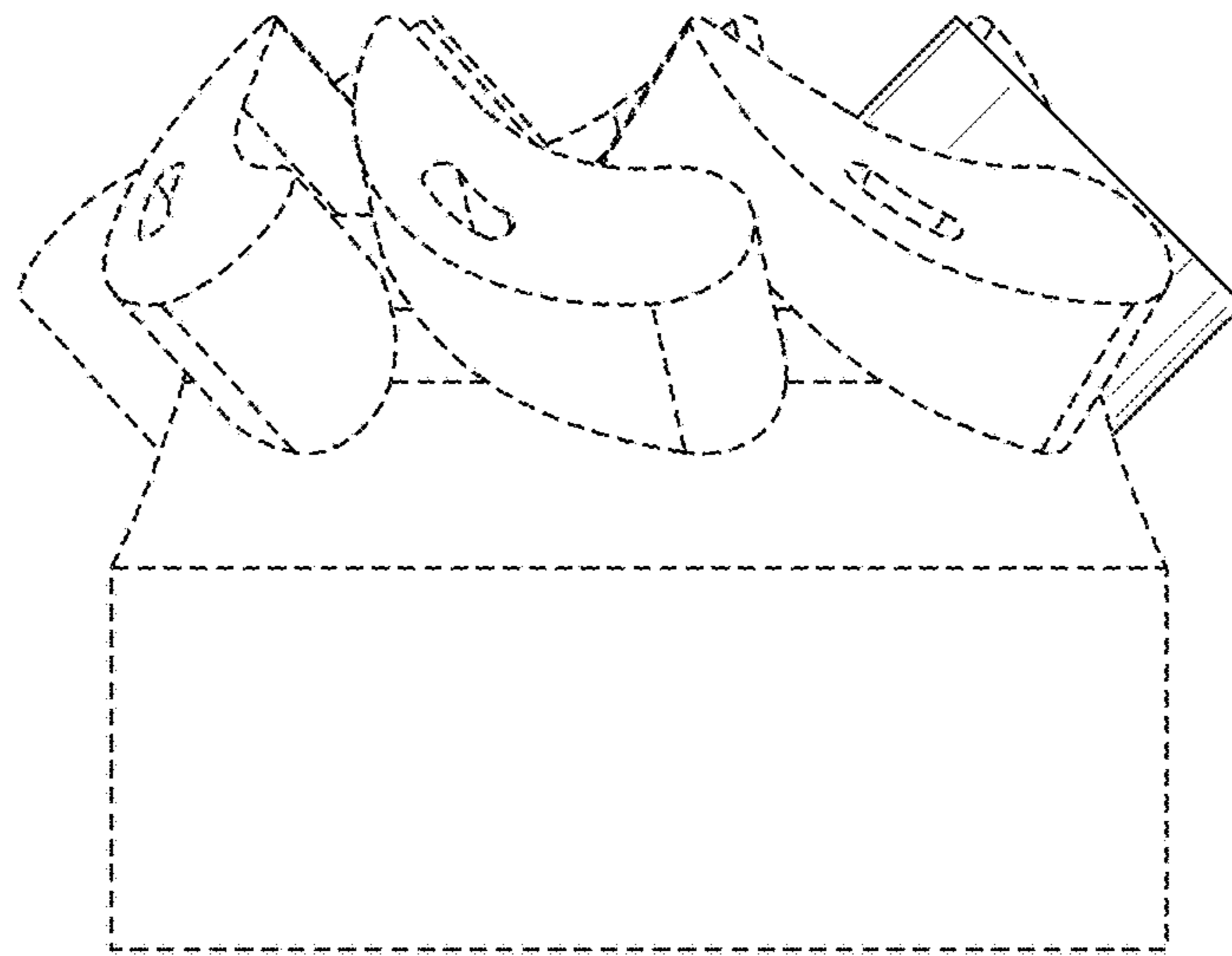


**FIG. 6**





**FIG. 7**



**FIG. 8**