



US00D842979S

(12) **United States Design Patent**
Bailey et al.

(10) **Patent No.:** **US D842,979 S**
(45) **Date of Patent:** **** Mar. 12, 2019**

(54) **ATOMIZER**
(71) Applicant: **Hamworthy Combustion Engineering Limited, Poole (GB)**
(72) Inventors: **Keith Bailey, Poole (GB); Paul Newman, Poole (GB); Nick James, Poole (GB)**
(73) Assignee: **Hamworthy Combustion Engineering Limited, Poole (GB)**

5,121,608 A 6/1992 Willis et al.
5,271,562 A 12/1993 Myers et al.
5,293,967 A * 3/1994 Siegrist F16D 53/00
188/218 A

(Continued)

FOREIGN PATENT DOCUMENTS

CN 2685718 Y 3/2005
JP S5021742 U 3/1975

(Continued)

OTHER PUBLICATIONS

Pneumatic Air Slide, image post date 2016, site visited Jul. 4, 2018, (online), <<http://www.ablecompany.com/assets/pwr-16122-variflame-dynaswirl-in-burners-2016-updated-lr-web.pdf>>.*

(Continued)

Primary Examiner — Kevin K Rudzinski

(**) Term: **15 Years**

(21) Appl. No.: **29/611,323**

(22) Filed: **Jul. 20, 2017**

(30) **Foreign Application Priority Data**

May 24, 2017 (EM) 004017507

(51) **LOC (11) Cl.** **23-03**

(52) **U.S. Cl.**
USPC **D23/418**

(58) **Field of Classification Search**
USPC D23/387, 390, 415, 418, 419, 499
CPC B01F 5/0256; B01J 4/002; B05B 1/14; B05B 1/26; B05B 1/34; B05B 7/0441; B05B 7/0483; B05B 7/02; B05B 7/06; B05B 7/066; B05B 7/08; B05B 7/0892; B05B 7/12; B05B 7/14; B05B 7/1486; C21C 5/4606; F23D 11/108; F23D 17/002; F23R 3/36; Y10S 261/09
See application file for complete search history.

(56) **References Cited**

U.S. PATENT DOCUMENTS

2,552,571 A * 5/1951 Mercier B64C 25/42
188/218 A
4,518,120 A * 5/1985 Johnson B05B 1/14
239/424

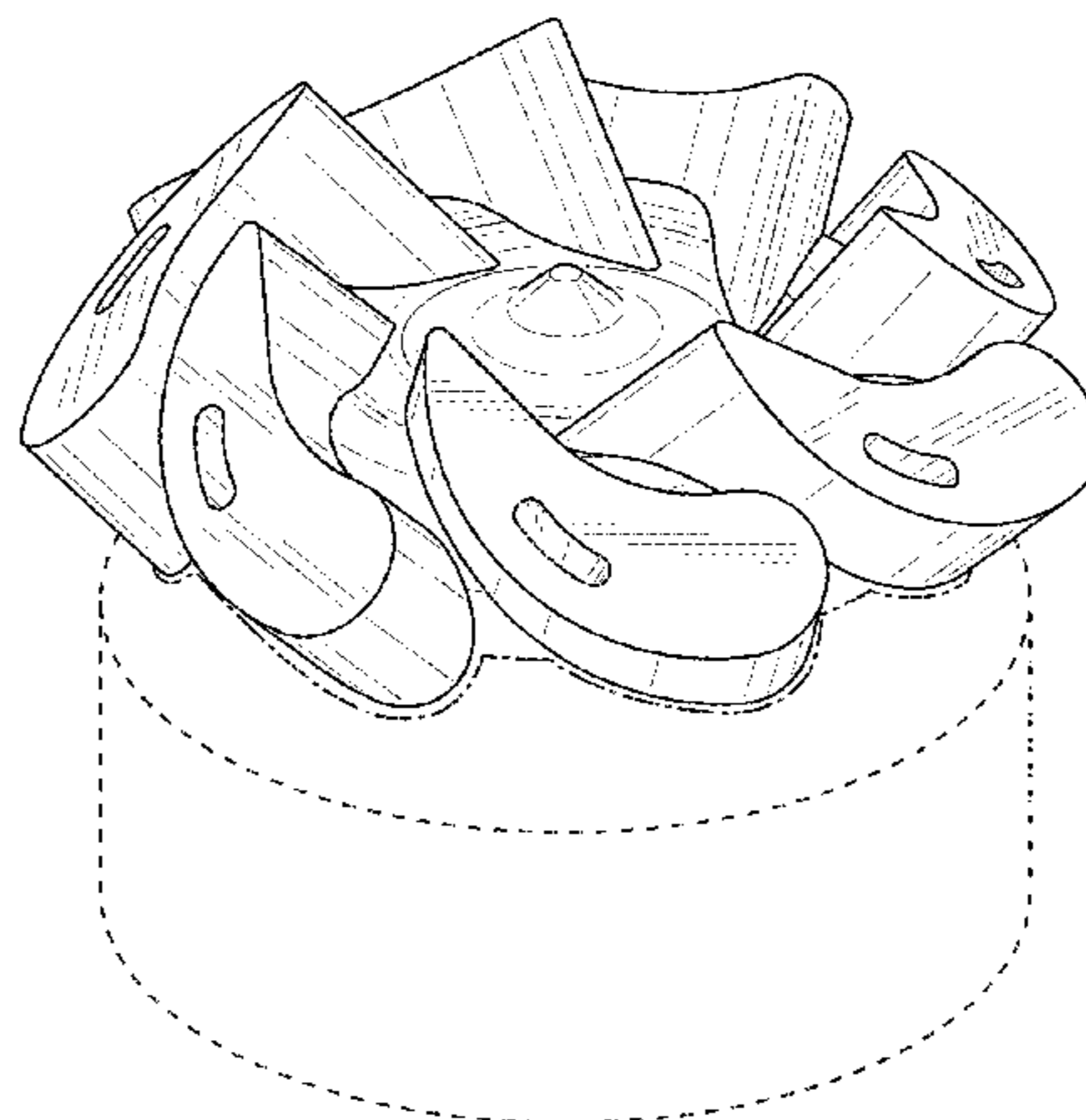
(57) **CLAIM**

The ornamental design for an atomizer, as shown and described.

DESCRIPTION

FIG. 1 is a front, top perspective view of an atomizer showing the new design;
FIG. 2 is a front, right, bottom perspective view thereof;
FIG. 3 is a second front, top perspective view thereof;
FIG. 4 is a top plan view thereof;
FIG. 5 is a bottom plan view thereof;
FIG. 6 is a front elevation view thereof;
FIG. 7 is a left side view thereof; and,
FIG. 8 is a right side view thereof.
The even length broken lines shown in the drawings illustrate portions of the atomizer that form no part of the claimed design. The uneven length broken lines illustrate the boundary of the claimed design, and form no part of the claimed design.

1 Claim, 8 Drawing Sheets



(56)

References Cited

U.S. PATENT DOCUMENTS

5,556,259 A * 9/1996 Hlavenka F04F 5/10
417/171
5,639,217 A * 6/1997 Ohtsuki F04D 29/284
416/183
5,921,472 A 7/1999 Haruch
6,199,768 B1 3/2001 Koveal et al.
6,276,615 B1 * 8/2001 Scholz B05B 7/066
239/419
6,702,574 B1 * 3/2004 Dobbeling F23C 7/002
239/403
6,712,968 B2 * 3/2004 Romanyszyn B01F 5/0256
210/512.1
6,899,290 B2 * 5/2005 Varble F02M 61/162
239/463
6,951,454 B2 * 10/2005 Sarv F23D 1/00
110/262
7,214,031 B2 * 5/2007 Parrent B01F 5/0256
415/199.1
D544,753 S * 6/2007 Tseng D7/407
7,407,572 B2 * 8/2008 Steffens B01J 4/002
208/113
D584,366 S * 1/2009 Bowen D21/563
7,500,849 B2 3/2009 Dudill et al.
7,588,199 B2 * 9/2009 Huffman B05B 1/34
239/290
7,735,756 B2 * 6/2010 Schindler B05B 1/02
239/404
7,878,096 B2 * 2/2011 Banks B05B 1/14
82/1.11
7,975,486 B2 * 7/2011 Eroglu F23C 7/002
431/351
8,007,273 B2 * 8/2011 Ruck F23C 7/002
431/8
D655,147 S * 3/2012 Zorovich D8/107
D657,014 S * 4/2012 Seiz D23/213
D657,442 S * 4/2012 Siemie Czuk D23/418
8,272,218 B2 * 9/2012 Fox F02C 7/22
239/500
8,596,074 B2 * 12/2013 Nilsson F23C 7/002
60/737
8,739,545 B2 * 6/2014 Cant F23C 7/004
60/39.463
8,820,664 B2 * 9/2014 Sawalski B67D 7/00
239/548
8,967,498 B2 * 3/2015 Egli B05B 1/26
239/490
9,067,222 B2 * 6/2015 Gransow B05B 1/18

9,086,107 B2 * 7/2015 Kokott F16D 65/128
D741,001 S * 10/2015 Alarcon D27/167
D742,998 S * 11/2015 Gooden B05B 7/2443
D23/225
D746,007 S * 12/2015 Oh D32/29
D748,431 S * 2/2016 Saubert F24C 3/085
D7/407
9,352,340 B2 * 5/2016 Bourrilhon A62C 31/05
9,400,105 B2 * 7/2016 Genin F23R 3/286
D763,430 S * 8/2016 Shin D23/368
D765,966 S * 9/2016 Dandachli D3/211
D766,590 S * 9/2016 Lee D28/10
D768,044 S * 10/2016 Huang D12/207
D771,795 S * 11/2016 Wang D23/411
9,492,829 B2 * 11/2016 Mastrovito B05B 1/14
D773,297 S * 12/2016 Liu D6/542
D779,776 S * 2/2017 Petersen D1/120
9,579,669 B2 * 2/2017 Al-Ansary B05B 1/34
D781,025 S * 3/2017 Pope D1/125
D781,708 S * 3/2017 Jasso Gomez D9/451
9,623,423 B2 * 4/2017 Erickson E03C 1/084
D785,901 S * 5/2017 Wilson D1/125
D791,930 S * 7/2017 Rivera D23/415
D796,724 S * 9/2017 Sonneman D26/85
9,821,179 B2 * 11/2017 Kristensen B05B 1/14
D804,647 S * 12/2017 Chang D23/413
D806,225 S * 12/2017 Chang D23/379
D809,643 S * 2/2018 Gruber D23/370
D814,008 S * 3/2018 Munz D23/370
D819,799 S * 6/2018 Wang D23/377
D820,966 S * 6/2018 De Filippis D23/370
D821,557 S * 6/2018 Schaub D23/365
9,999,895 B2 * 6/2018 Nelson B05B 1/34
2005/0100846 A1 5/2005 Gutmark et al.
2008/0098499 A1 * 4/2008 Oxborrow B01F 5/0616
60/324

FOREIGN PATENT DOCUMENTS

KR 20020051067 A 6/2002
WO WO2014024842 A1 2/2014

OTHER PUBLICATIONS

Swirl Plate—Wayback Machine, image post date Aug. 16, 2016, site visited Jul. 4, 2018, (online), <<https://web.archive.org/web/20160816230342/http://boilerpartsunlimited.com/products/7500p-093-91543-swirl-plate.html>>.*

* cited by examiner

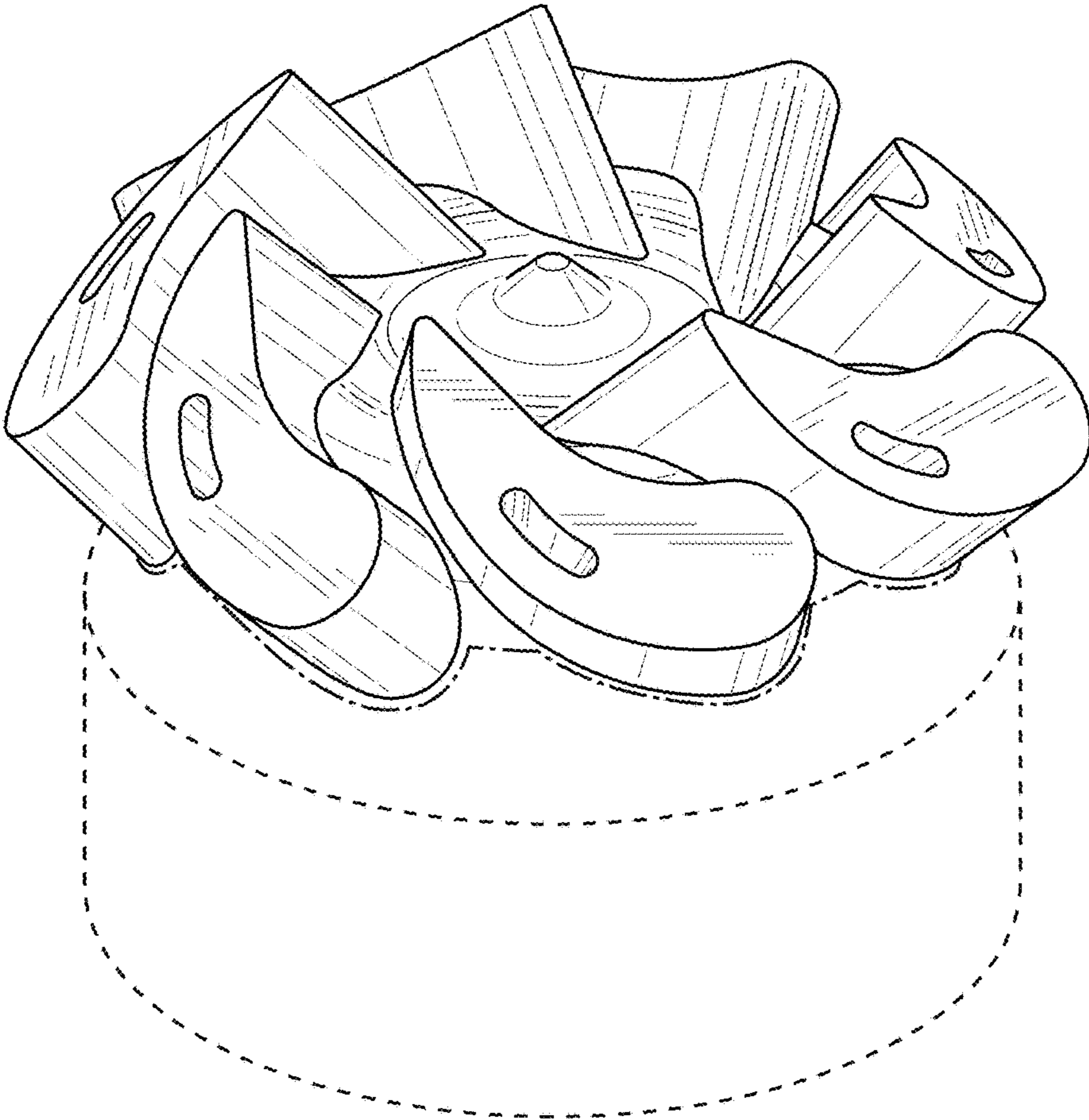


FIG. 1

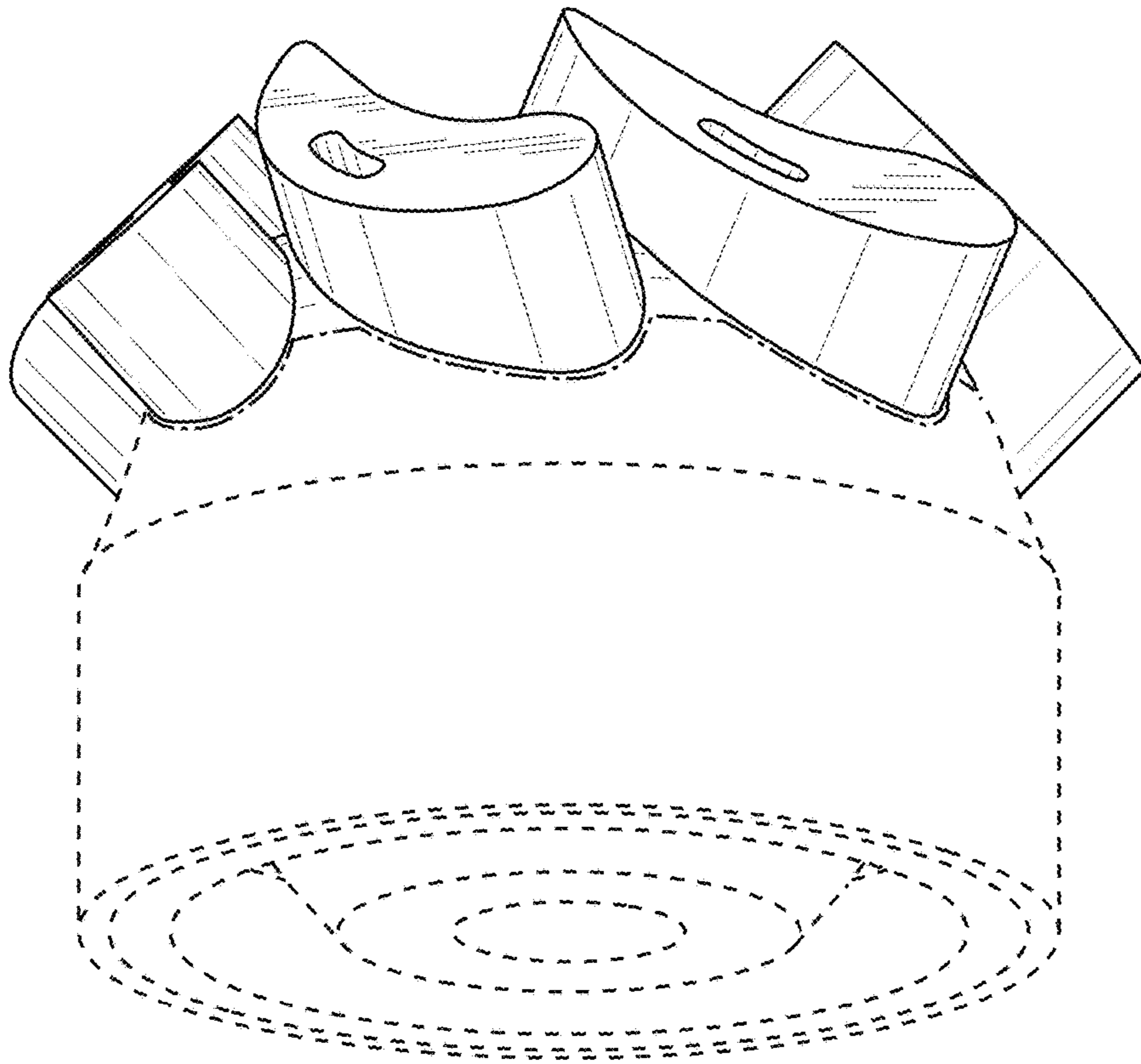


FIG. 2

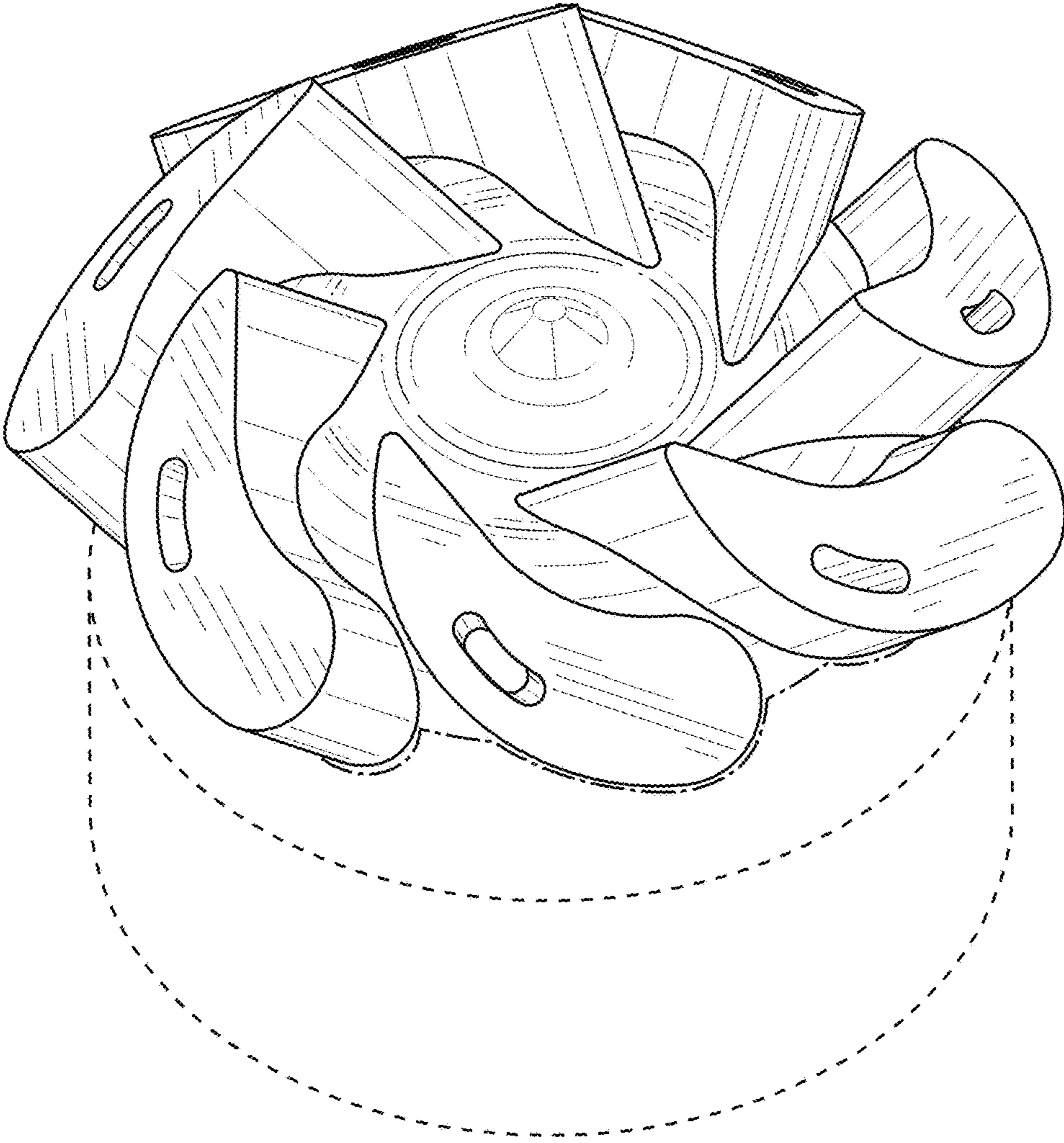


FIG. 3

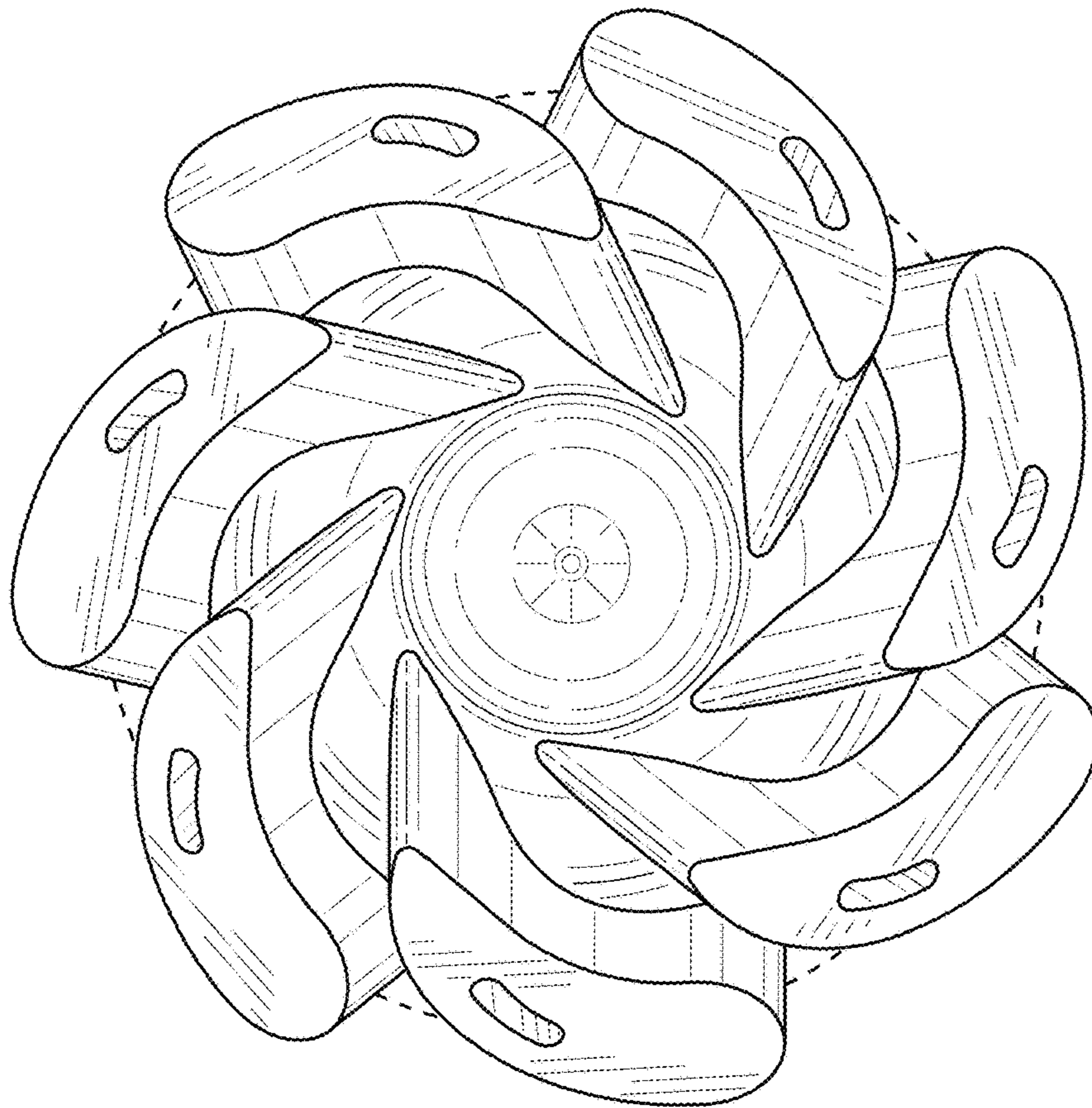


FIG. 4

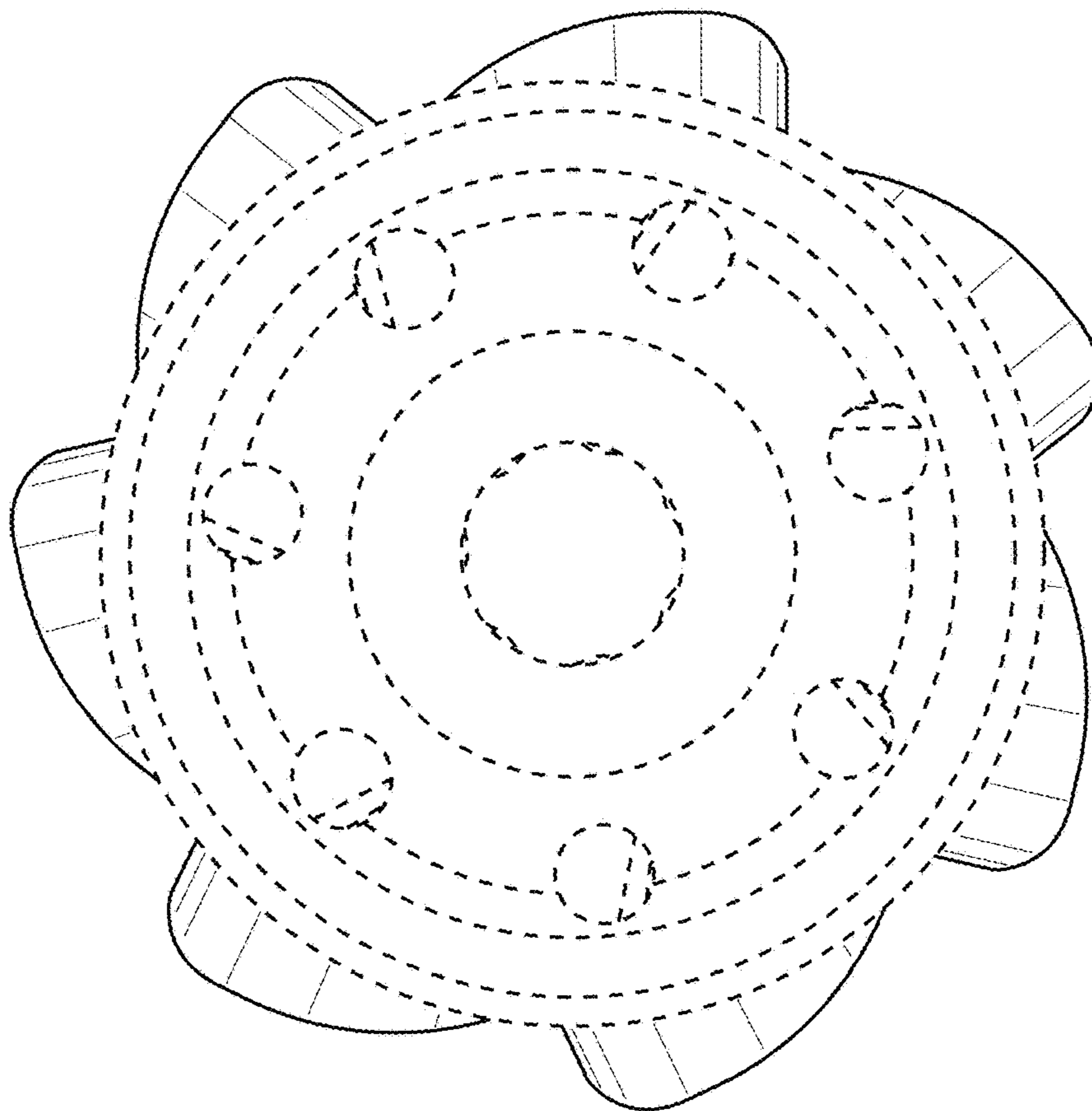


FIG. 5

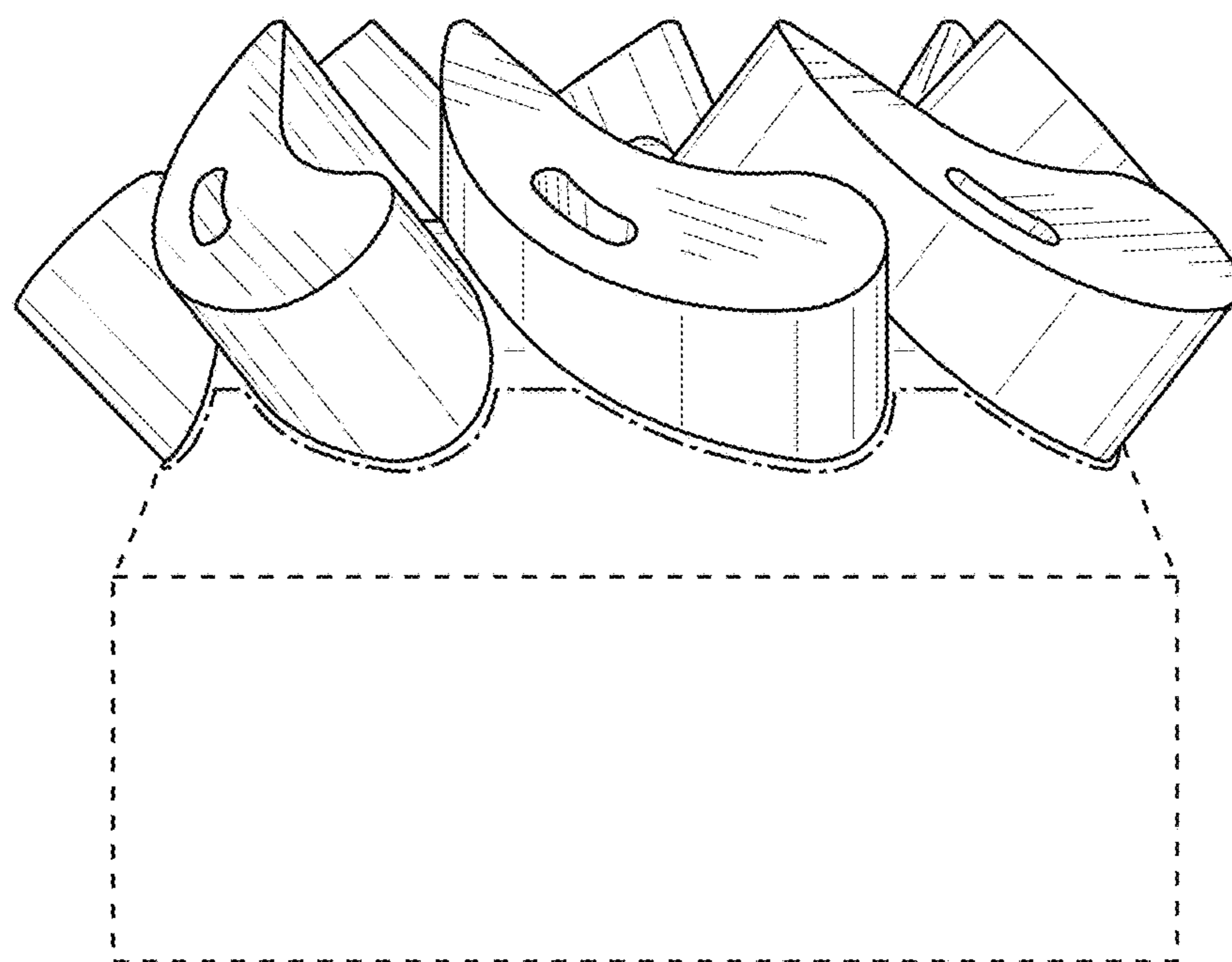


FIG. 6

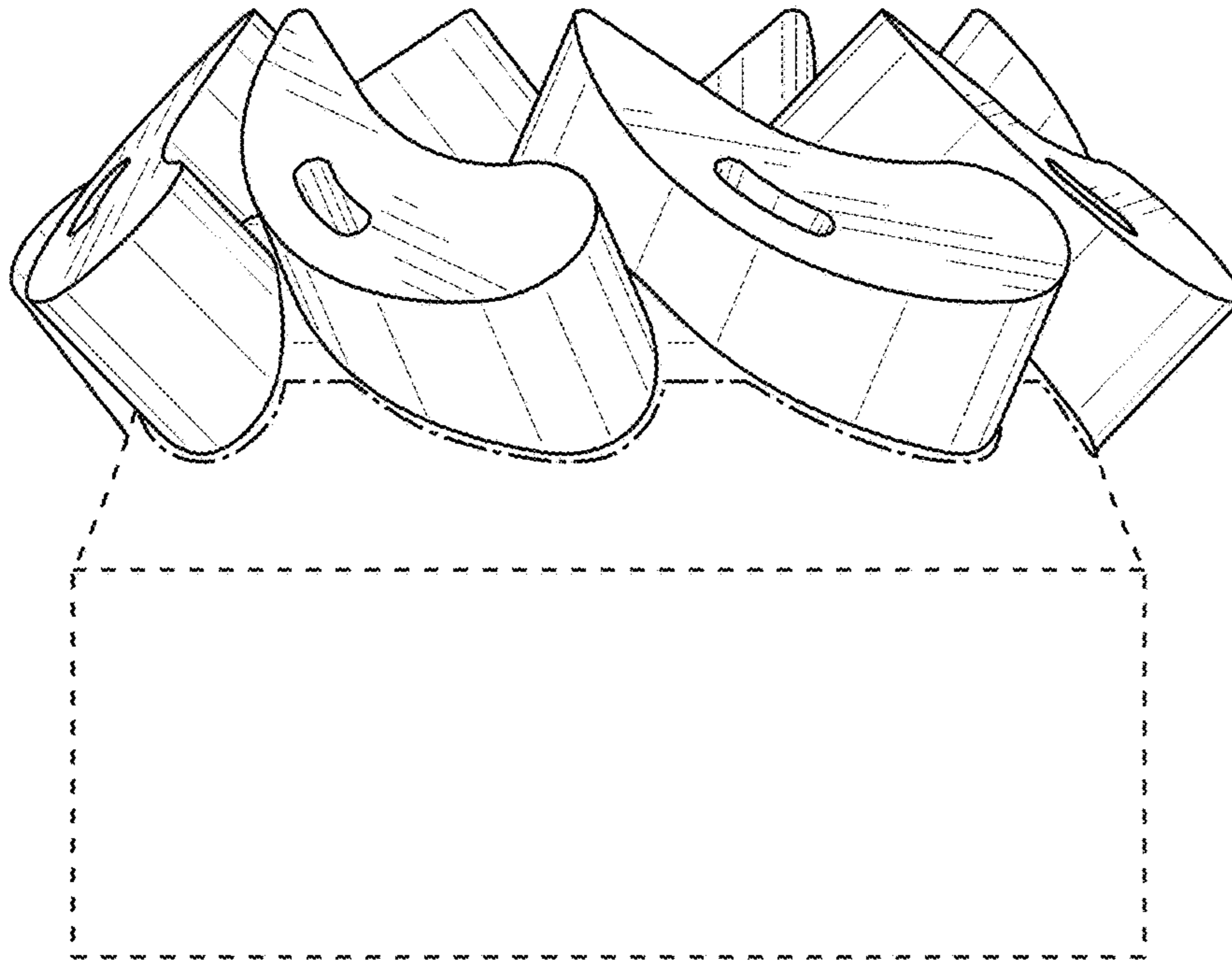


FIG. 7

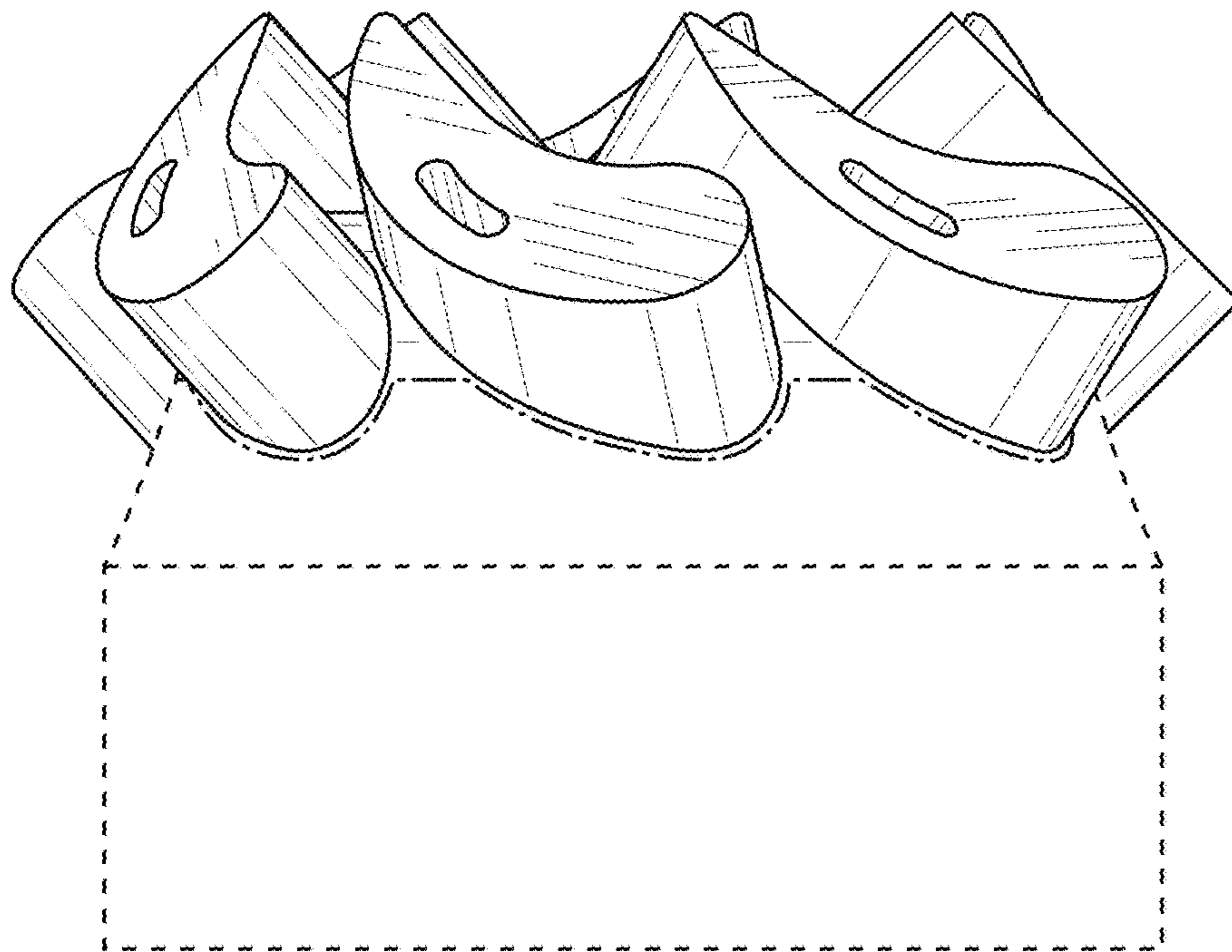


FIG. 8