



US00D842977S

(12) **United States Design Patent**
Holland et al.

(10) **Patent No.:** **US D842,977 S**
(45) **Date of Patent:** **** Mar. 12, 2019**

(54) **INSULATED COVER FOR WHOLE-HOUSE FAN**

(71) Applicant: **Air Vent, Inc.**, Dallas, TX (US)

(72) Inventors: **Robert B. Holland**, Rowlett, TX (US);
Grayson M. Griffin, Grand Prairie, TX (US)

(73) Assignee: **AIR VENT, INC.**, Dallas, TX (US)

(**) Term: **15 Years**

(21) Appl. No.: **29/588,488**

(22) Filed: **Dec. 21, 2016**

(51) **LOC (11) Cl.** **23-04**

(52) **U.S. Cl.**
USPC **D23/393**

(58) **Field of Classification Search**
USPC D13/139.2; D23/323, 328, 333, 335–337,
D23/341, 352, 357, 370, 385, 386, 388,
D23/392, 397, 399, 400, 406, 411–413,
D23/499; D26/9, 10, 12, 13, 15, 16, 24,
D26/51, 61, 72, 76, 80, 81, 85, 86, 88,
D26/90, 113, 118–120, 122, 128, 129,
D26/138, 143, 144
CPC .. B65D 7/00; B65D 67/02; F16M 1/00; F24F
1/027; F24F 13/32; F25D 23/10; E04F
17/08; F16L 3/26; F16L 9/22; F16K
1/221; F16K 1/443; F16K 31/122; F23L
11/005; F24H 1/205; F24H 9/0026; F24H
9/0031; F24H 9/2035; F23N 2025/22;
F23N 2035/18; F23N 2035/20; B60Q
1/04; B60Q 1/26; F21S 8/026; F21S 8/04;
F21V 7/00;

(Continued)

(56) **References Cited**

U.S. PATENT DOCUMENTS

D275,988 S * 10/1984 Walker D23/392
D296,584 S * 7/1988 Hilton D23/370

(Continued)

OTHER PUBLICATIONS

Screen shots from <https://www.youtube.com/watch?v=dkUzRp-pGgg>, published on Mar. 11, 2013 (accessed on Jan. 25, 2017).

(Continued)

Primary Examiner — Cathron C Brooks
Assistant Examiner — Christian P. McLean

(74) *Attorney, Agent, or Firm* — Duane Morris LLP

(57) **CLAIM**

We claim the ornamental design for an insulated cover for whole-house fan, as shown and described.

DESCRIPTION

FIG. 1 is a perspective view of an insulated cover for whole-house fan according to an embodiment of the present invention.

FIG. 2 is a front elevation view of the insulated cover for whole-house fan of FIG. 1. The rear elevation view of the insulated cover for whole-house fan is identical to the front elevation view.

FIG. 3 is a left side elevation view of the insulated cover for whole-house fan of FIG. 1. The right side elevation view of the insulated cover for whole-house fan is identical to the left side elevation view.

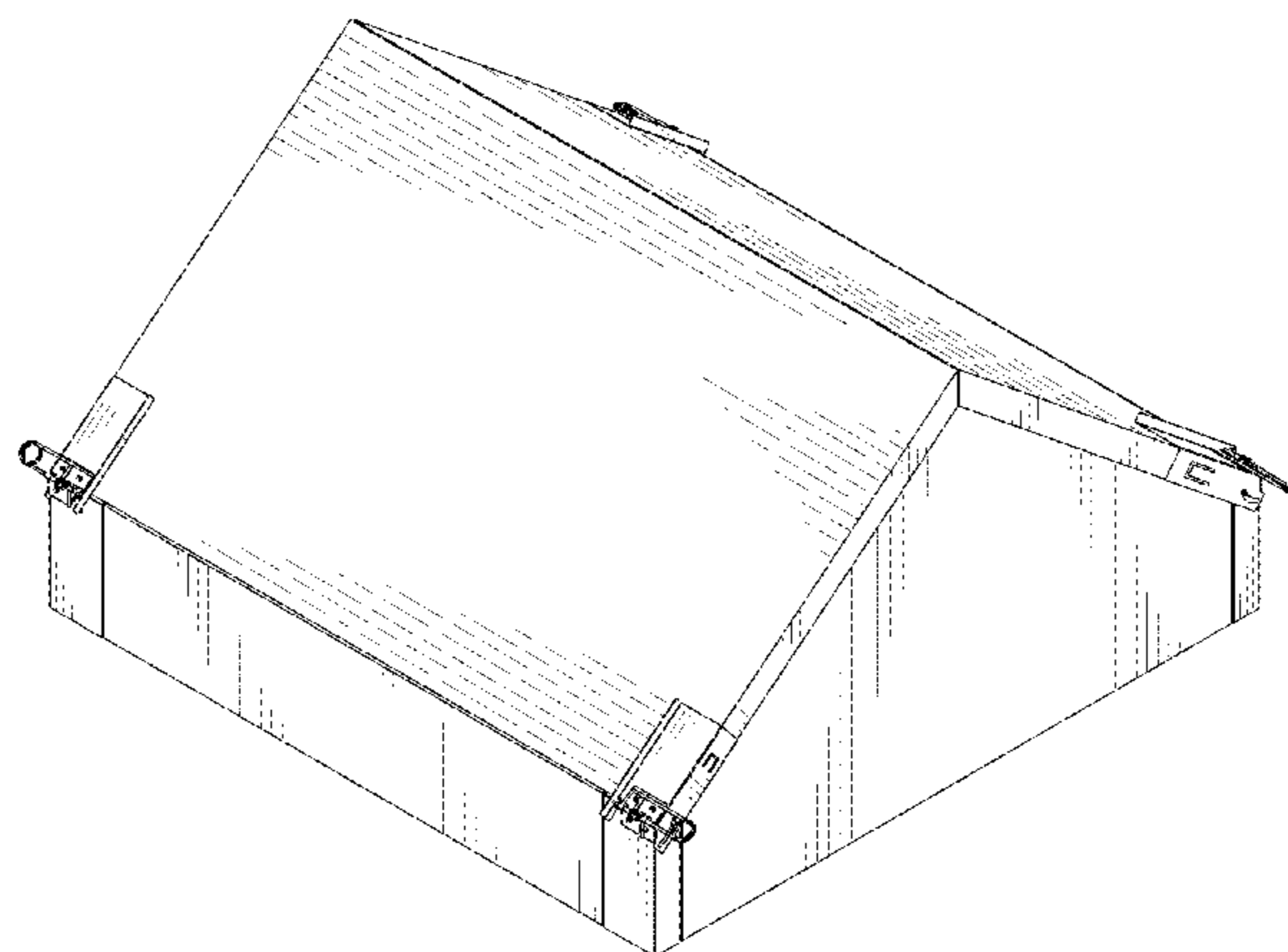
FIG. 4 is a top view of the insulated cover for whole-house fan of FIG. 1.

FIG. 5 is a bottom view of the insulated cover for whole-house fan of FIG. 1.

FIG. 6 is a partial perspective view of a corner of the insulated cover for whole-house fan of FIG. 1; and, FIG. 7 is a front elevation view of the insulated cover for whole-house fan of FIG. 1 in an open configuration.

The broken lines, and the entirely unshaded portions within the broken lines, illustrate portions of the insulated cover for whole-house fan that form no part of the claimed design.

1 Claim, 7 Drawing Sheets



(58) **Field of Classification Search**
CPC F21V 7/22; F21V 21/004; F21V 21/02;
F21V 21/04; F21V 29/004; F21V 29/2212
See application file for complete search history.

(56) **References Cited**

U.S. PATENT DOCUMENTS

D325,431 S * 4/1992 Novobilski D23/365
6,527,422 B1 * 3/2003 Hutchison F21V 29/505
362/290
D543,652 S * 5/2007 Hargreaves D26/118
D544,985 S * 6/2007 Hargreaves D26/76
D634,060 S * 3/2011 Wardenburg D26/118
D637,162 S * 5/2011 Bridgman D13/152
D698,986 S * 2/2014 Reynolds D26/118
D736,450 S * 8/2015 Reynolds D26/118
D739,595 S * 9/2015 Reynolds D26/118
D745,993 S * 12/2015 Reynolds D26/118

D748,849 S * 2/2016 Stanley D26/118
D748,850 S * 2/2016 Johnson D26/118
D771,793 S * 11/2016 Smith D23/393
D779,650 S * 2/2017 Poehlman D23/393
D802,831 S * 11/2017 Reynolds D26/118
D825,827 S * 8/2018 Vinson D26/118
D829,956 S * 10/2018 Heflin D26/85
D831,265 S * 10/2018 Vinson D26/118
2009/0262540 A1 * 10/2009 Hargreaves A01G 9/26
362/362

OTHER PUBLICATIONS

Screen shots from <https://www.youtube.com/watch?v=c3cN0kPqGQI>,
published on Apr. 9, 2012 (accessed on Jan. 25, 2017).
Screen shots from <https://www.youtube.com/watch?v=XQriYz5OUZw>,
published on Nov. 1, 2013 (accessed on Jan. 25, 2017).

* cited by examiner

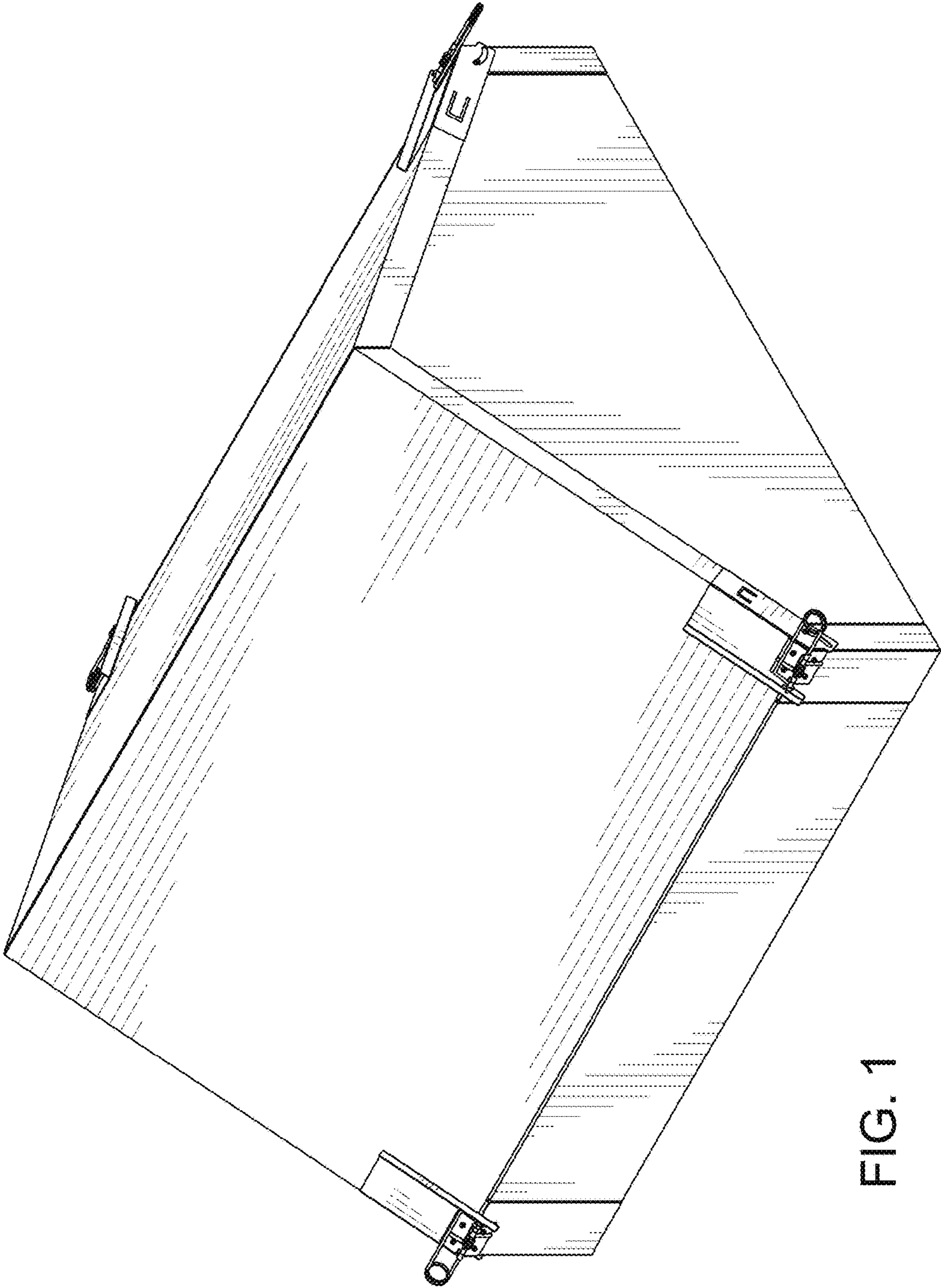


FIG. 1

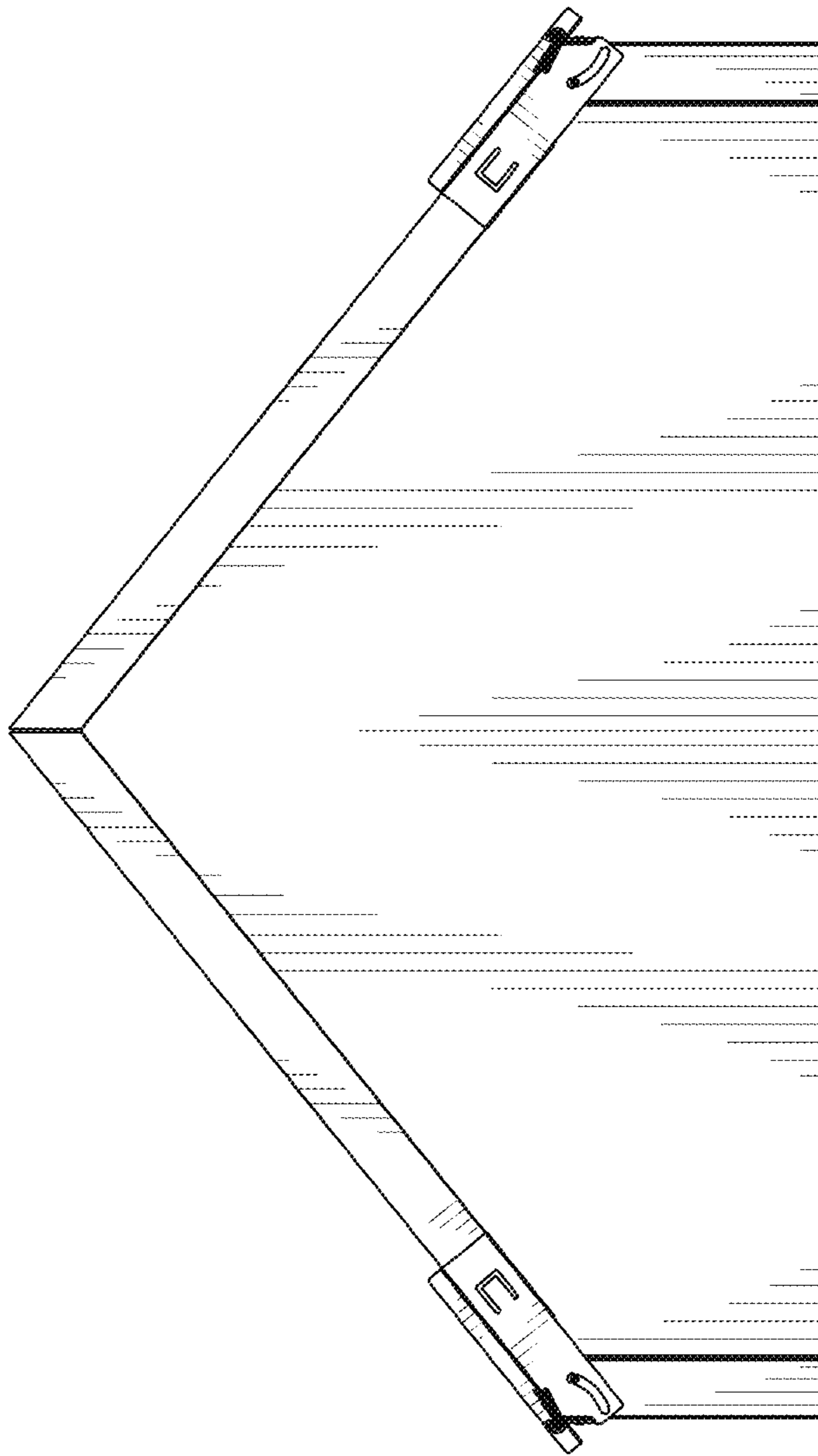


FIG. 2

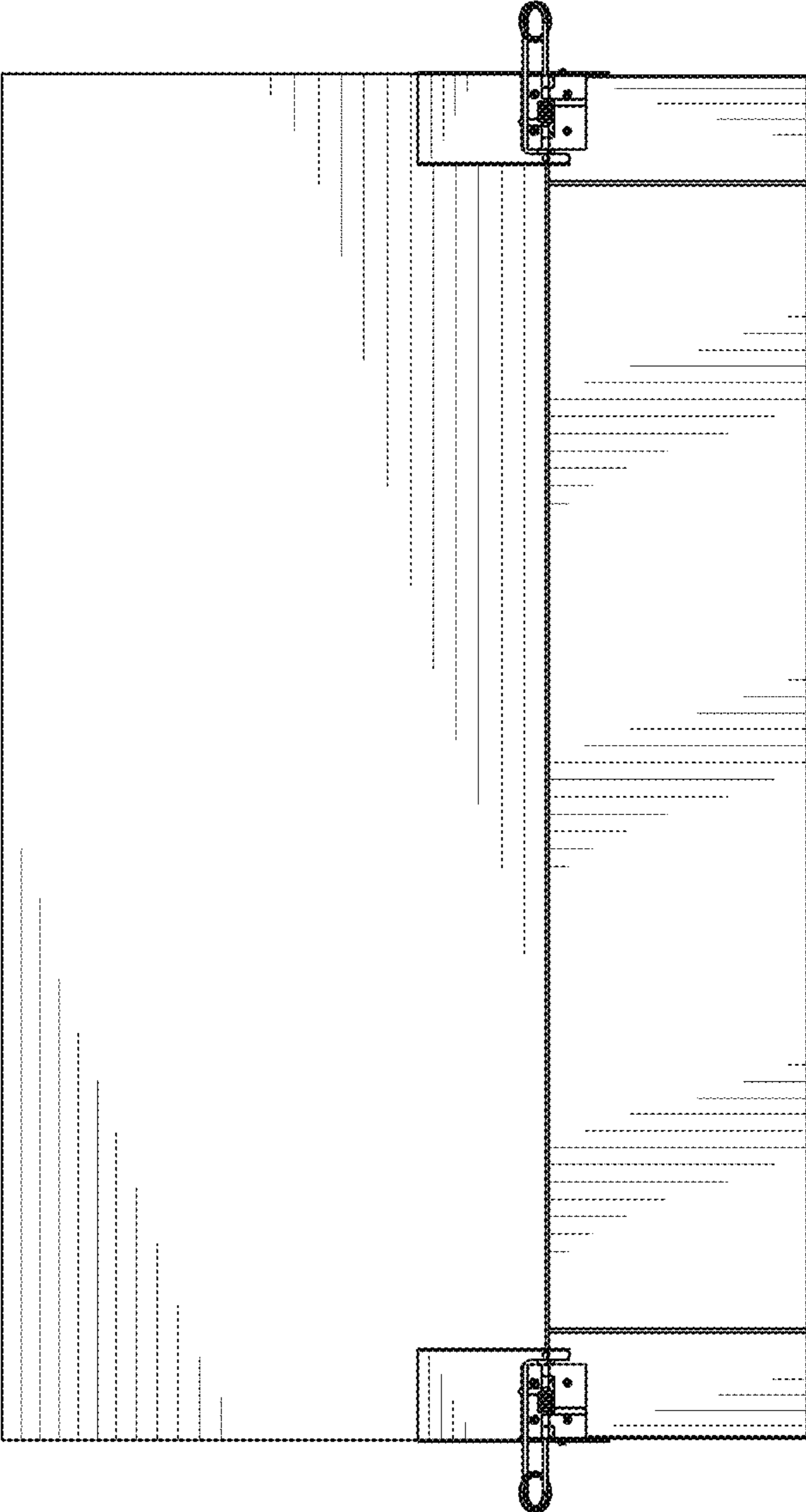


FIG. 3

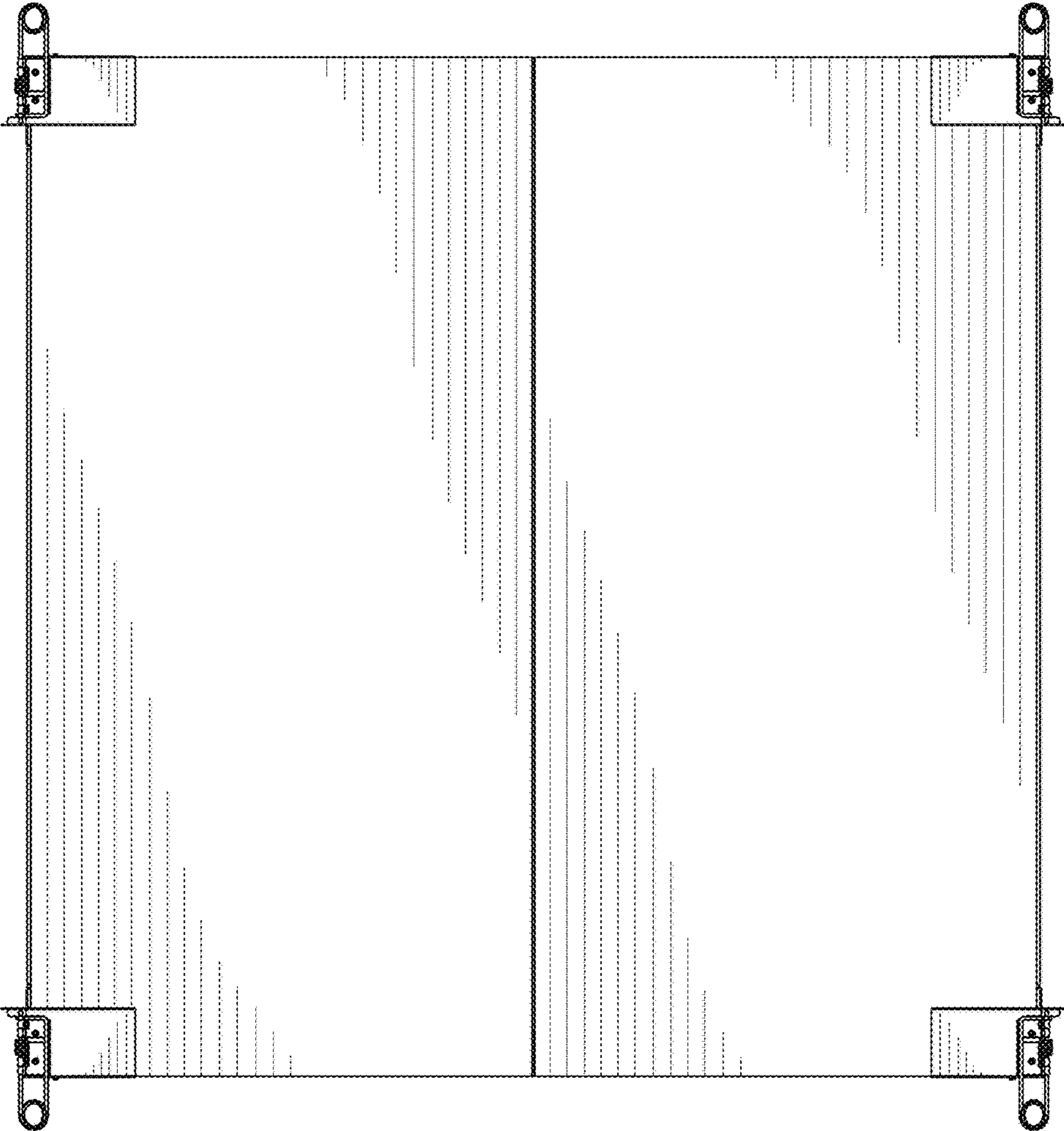


FIG. 4

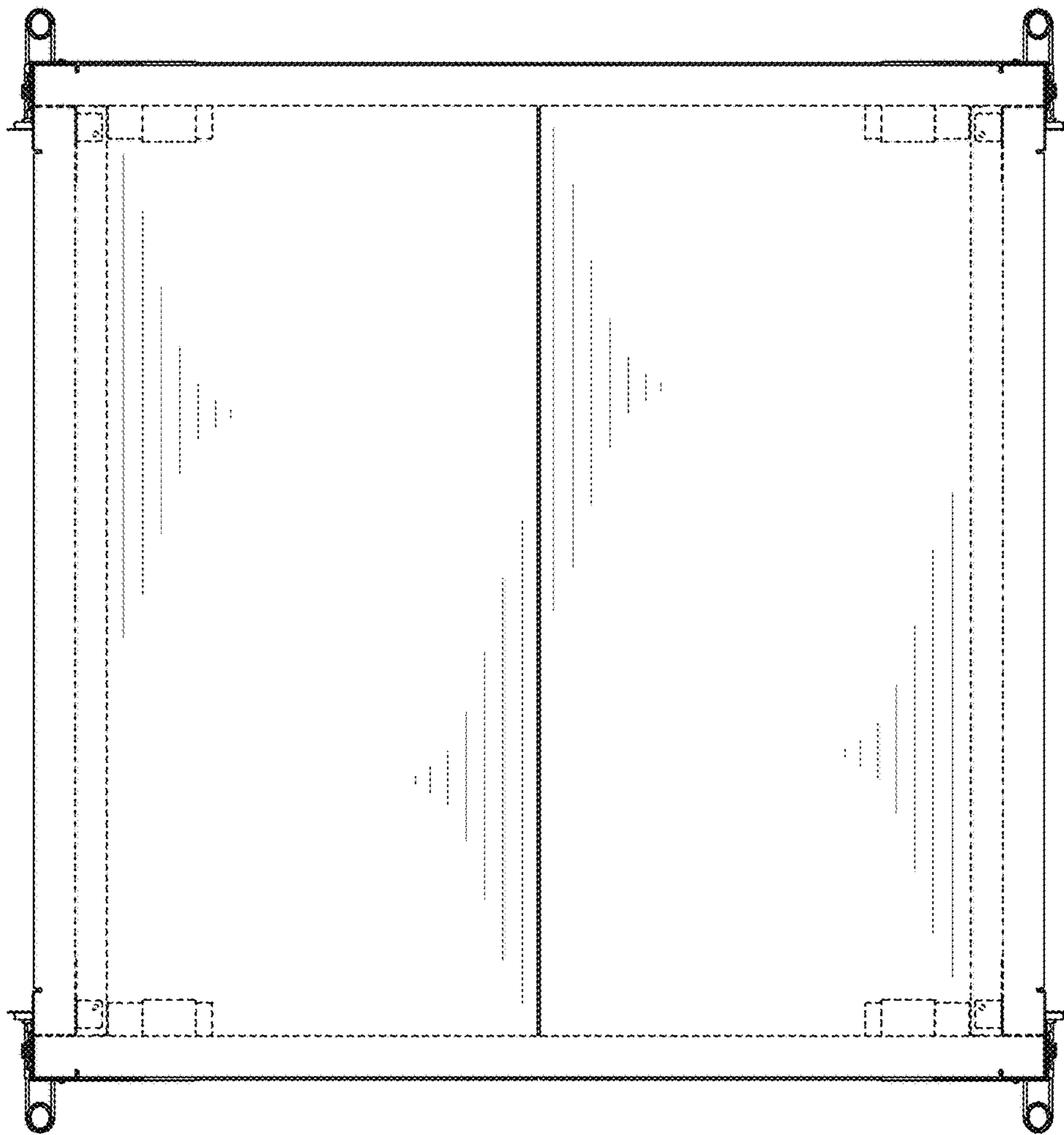


FIG. 5

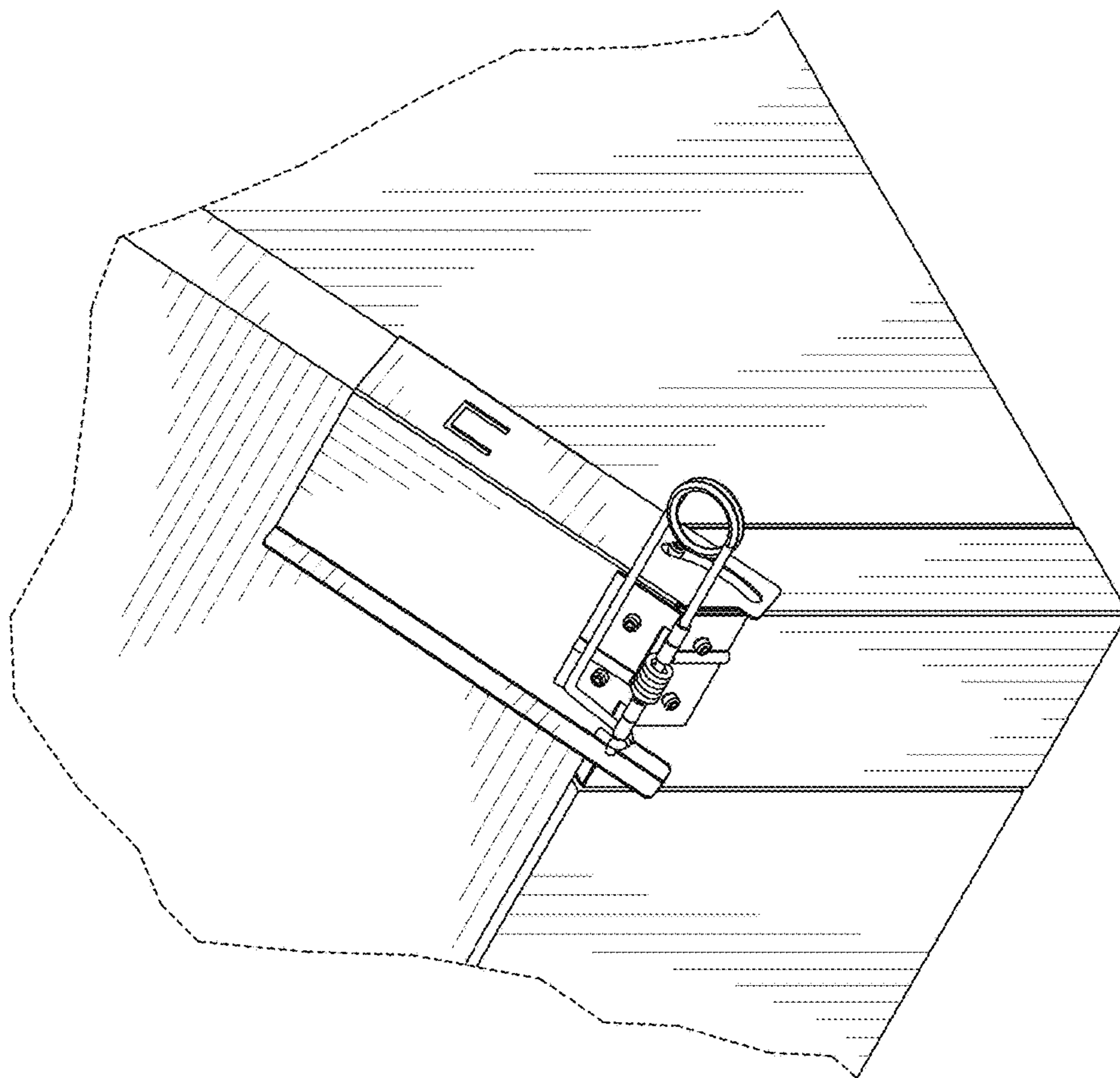


FIG. 6

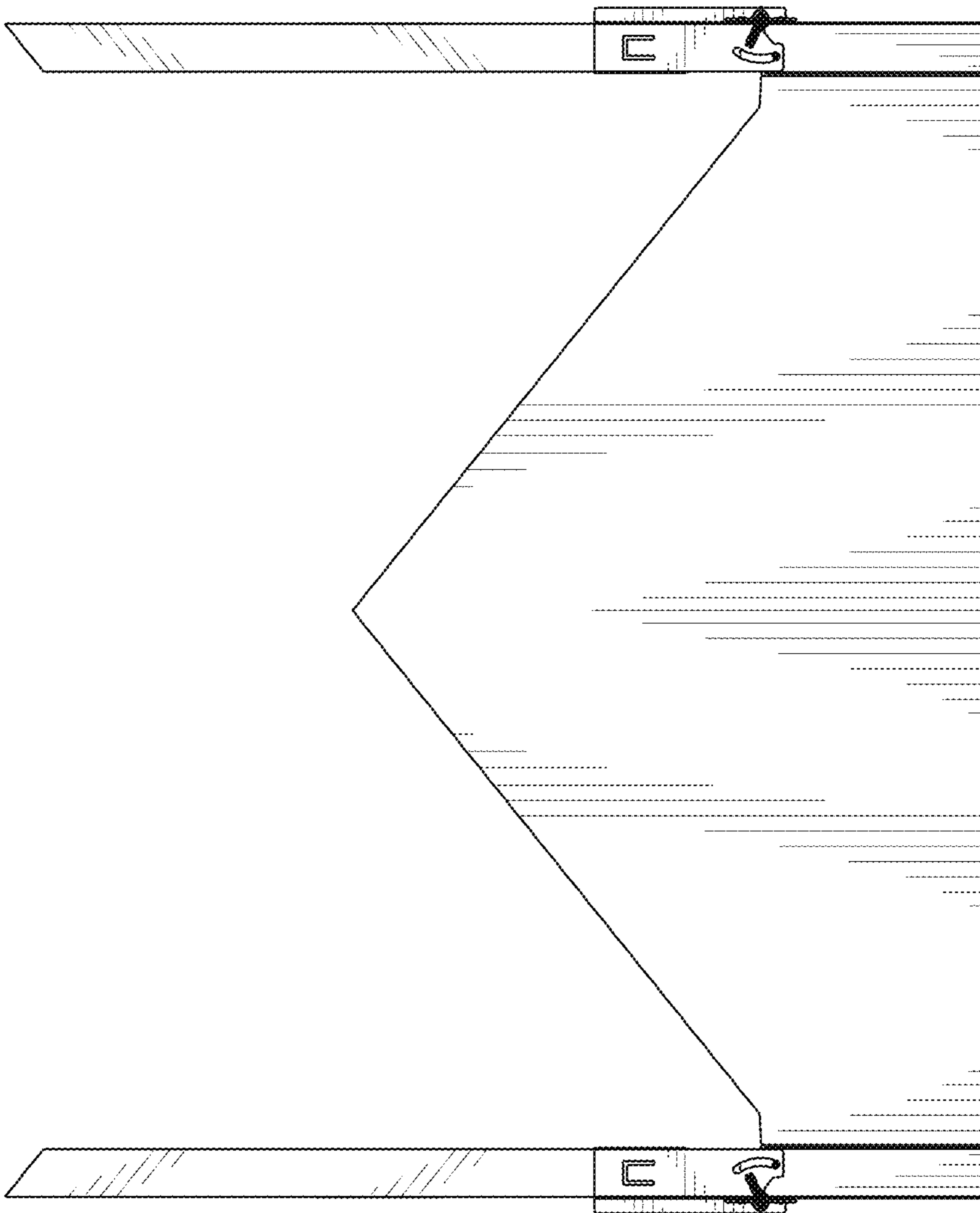


FIG. 7