



US00D842976S

(12) **United States Design Patent** (10) **Patent No.:** **US D842,976 S**  
**Badarello et al.** (45) **Date of Patent:** **\*\* Mar. 12, 2019**

(54) **BLADE TIP MEDALLION**

(56) **References Cited**

(71) Applicant: **HUNTER FAN COMPANY**,  
 Memphis, TN (US)

(72) Inventors: **Christophe Badarello**, Holly Springs,  
 MS (US); **Charles William Botkin**,  
 Cordova, TN (US)

(73) Assignee: **Hunter Fan Company**, Memphis, TN  
 (US)

U.S. PATENT DOCUMENTS

D304,229 S	10/1989	Rezek	
D377,975 S	2/1997	Young	
D430,280 S	8/2000	Huang	
D476,728 S	7/2003	Gajewski	
D758,560 S	6/2016	Gajewski	
D799,682 S *	10/2017	Wang	D23/411
D804,629 S *	12/2017	McRoberts	D23/377
D826,395 S *	8/2018	McRoberts	D23/411
D827,806 S *	9/2018	Biancuzzo	D23/377
D828,535 S *	9/2018	Searle	D23/377

(\*\*) Term: **15 Years**

\* cited by examiner

(21) Appl. No.: **29/593,525**

*Primary Examiner* — Cynthia R Underwood

(22) Filed: **Feb. 9, 2017**

(74) *Attorney, Agent, or Firm* — McGarry Bair PC

**Related U.S. Application Data**

(63) Continuation of application No. 29/538,530, filed on  
 Sep. 4, 2015, now Pat. No. Des. 783,796.

(51) **LOC (11) Cl.** ..... **23-04**

(52) **U.S. Cl.**  
 USPC ..... **D23/385**

(58) **Field of Classification Search**  
 USPC ..... D23/370, 377, 379, 385, 411; D26/59  
 CPC ..... F04D 25/088; F21V 33/0096  
 See application file for complete search history.

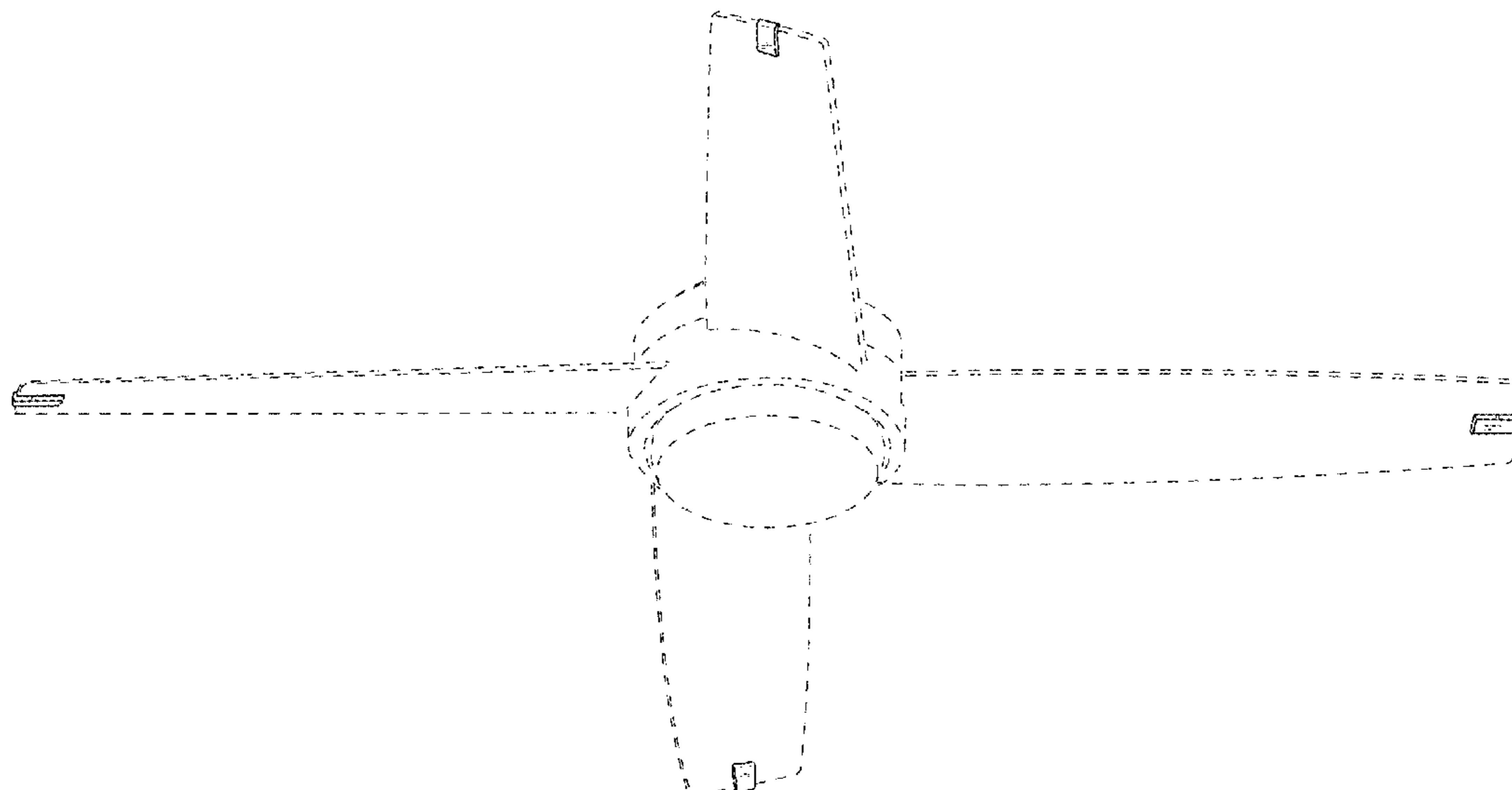
(57) **CLAIM**

The ornamental design for a blade tip medallion, as shown and described.

**DESCRIPTION**

FIG. 1 is a bottom perspective view of a blade tip medallion shown in the environment of a ceiling fan.  
 FIG. 2 is a bottom view of the blade tip medallion of FIG. 1; and,  
 FIG. 3 is a side view of the blade tip medallion of FIG. 1. Portions of the ceiling fan environment shown in broken lines form no part of the claimed design.

**1 Claim, 3 Drawing Sheets**



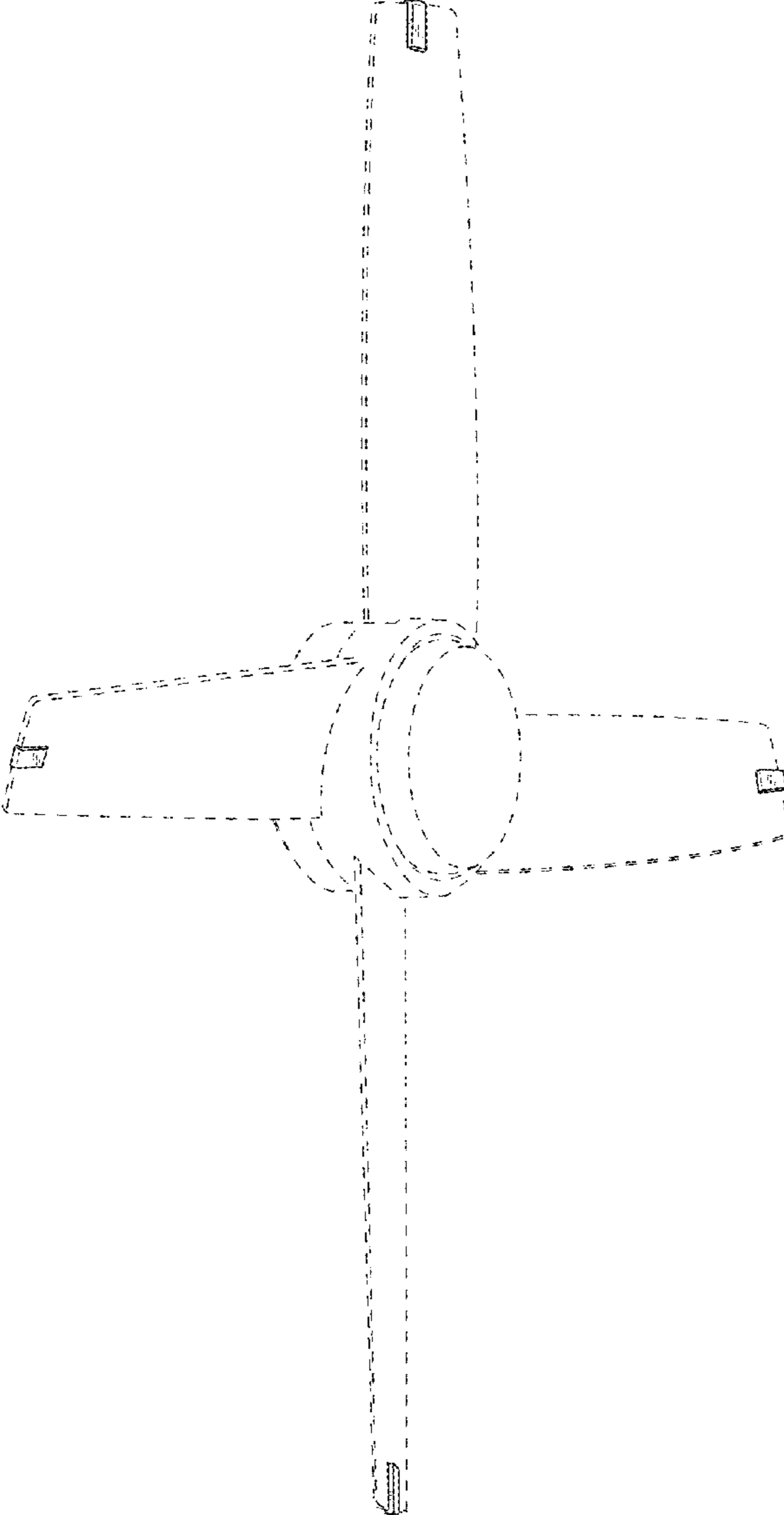


FIG. 1

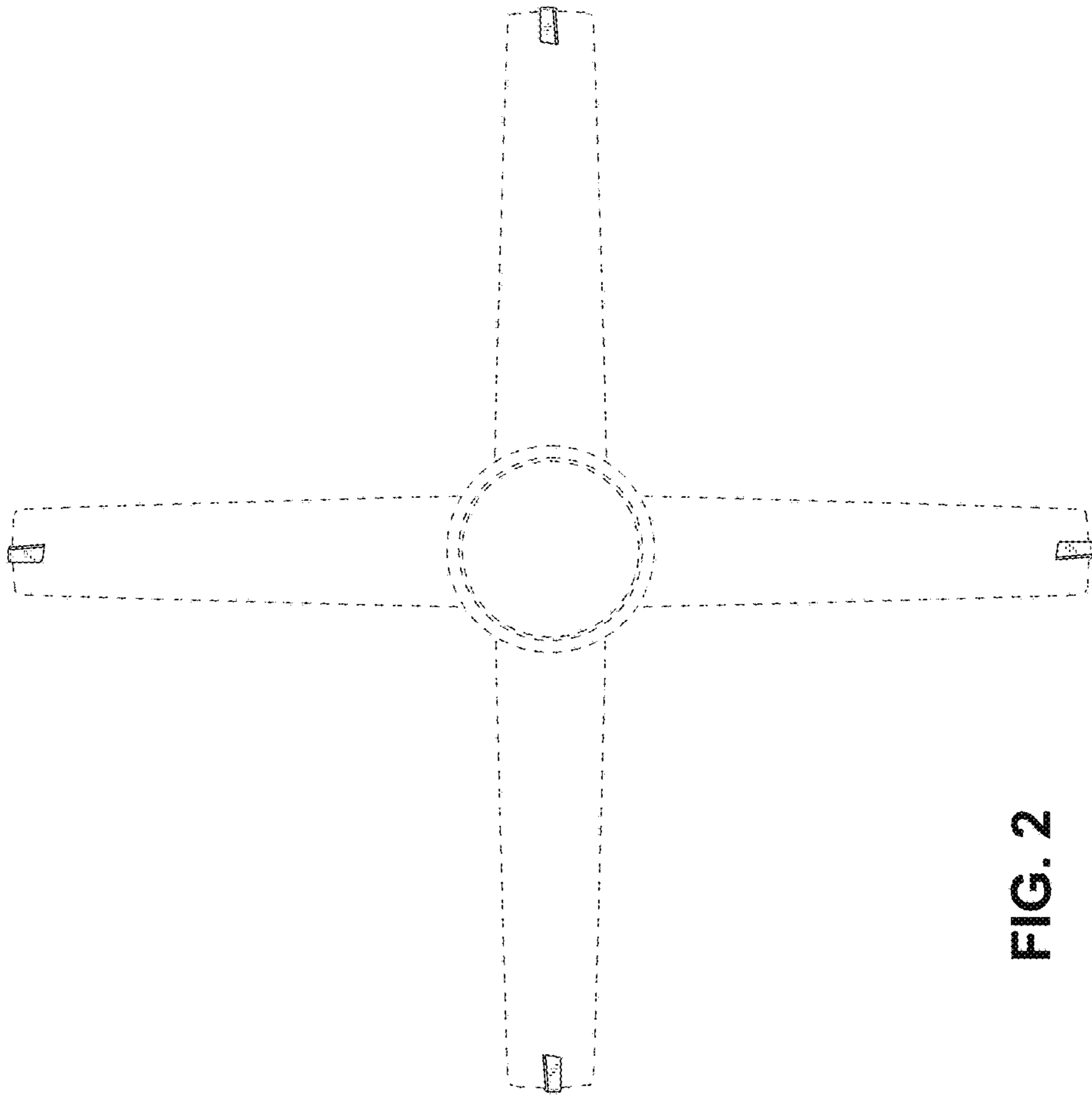


FIG. 2

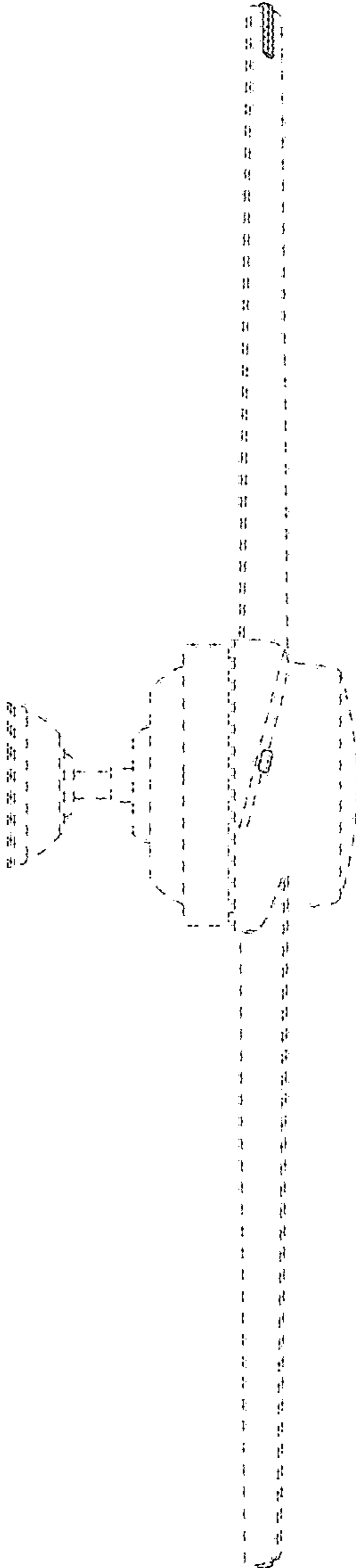


FIG. 3