



US00D842973S

(12) **United States Design Patent**
Salomon

(10) **Patent No.:** **US D842,973 S**
(45) **Date of Patent:** **** Mar. 12, 2019**

- (54) **BATH SINK**
- (71) Applicant: **Franz Kaldewei GmbH & Co. KG,**
Ahlen (DE)
- (72) Inventor: **Anke Salomon,** Potsdam (DE)
- (73) Assignee: **FRANZ KALDEWEI GMBH & CO.**
KG, Ahlen (DE)

7,721,364 B2 *	5/2010	Pearson	E03C 1/18 312/228
D630,308 S *	1/2011	Webb	D23/293.1
D635,227 S *	3/2011	DuFour	D23/284
D700,303 S *	2/2014	Eveleigh	D23/284
D703,800 S *	4/2014	Eilmus	D23/308
D742,486 S *	11/2015	Eilmus	D23/308
D753,278 S *	4/2016	Danelon	D23/293.1
D767,738 S *	9/2016	Osterroth	D23/284
D826,386 S *	8/2018	Bomatter	D23/293.1

- (**) Term: **15 Years**
- (21) Appl. No.: **29/616,742**
- (22) Filed: **Sep. 8, 2017**

* cited by examiner

Primary Examiner — Robert A Delehanty
(74) *Attorney, Agent, or Firm* — Andrew Wilford

- (30) **Foreign Application Priority Data**
Mar. 10, 2017 (EM) 003792712
- (51) **LOC (11) Cl.** **23-02**
- (52) **U.S. Cl.**
USPC **D23/293.1**
- (58) **Field of Classification Search**
USPC D23/284, 293.1, 303, 308
CPC E03C 1/18
See application file for complete search history.

(57) **CLAIM**

The ornamental design for a bath sink, as shown and described.

DESCRIPTION

FIG. 1 is a perspective view of a rotation-symmetrical bath sink;
FIG. 2 is a side view of the invention of FIG. 1;
FIG. 3 is a top view of the invention of FIG. 1;
FIG. 4 is an axial section through the invention of FIG. 1;
FIG. 5 is a perspective view of another rotation-symmetrical bath sink;
FIG. 6 is a side view of the invention of FIG. 5;
FIG. 7 is a top view of the invention of FIG. 5; and,
FIG. 8 is an axial section through the invention of FIG. 5.

- (56) **References Cited**
U.S. PATENT DOCUMENTS
D513,794 S * 1/2006 Ferrer Beltran D23/293.1
D612,466 S * 3/2010 Slothower D23/293.1

1 Claim, 8 Drawing Sheets

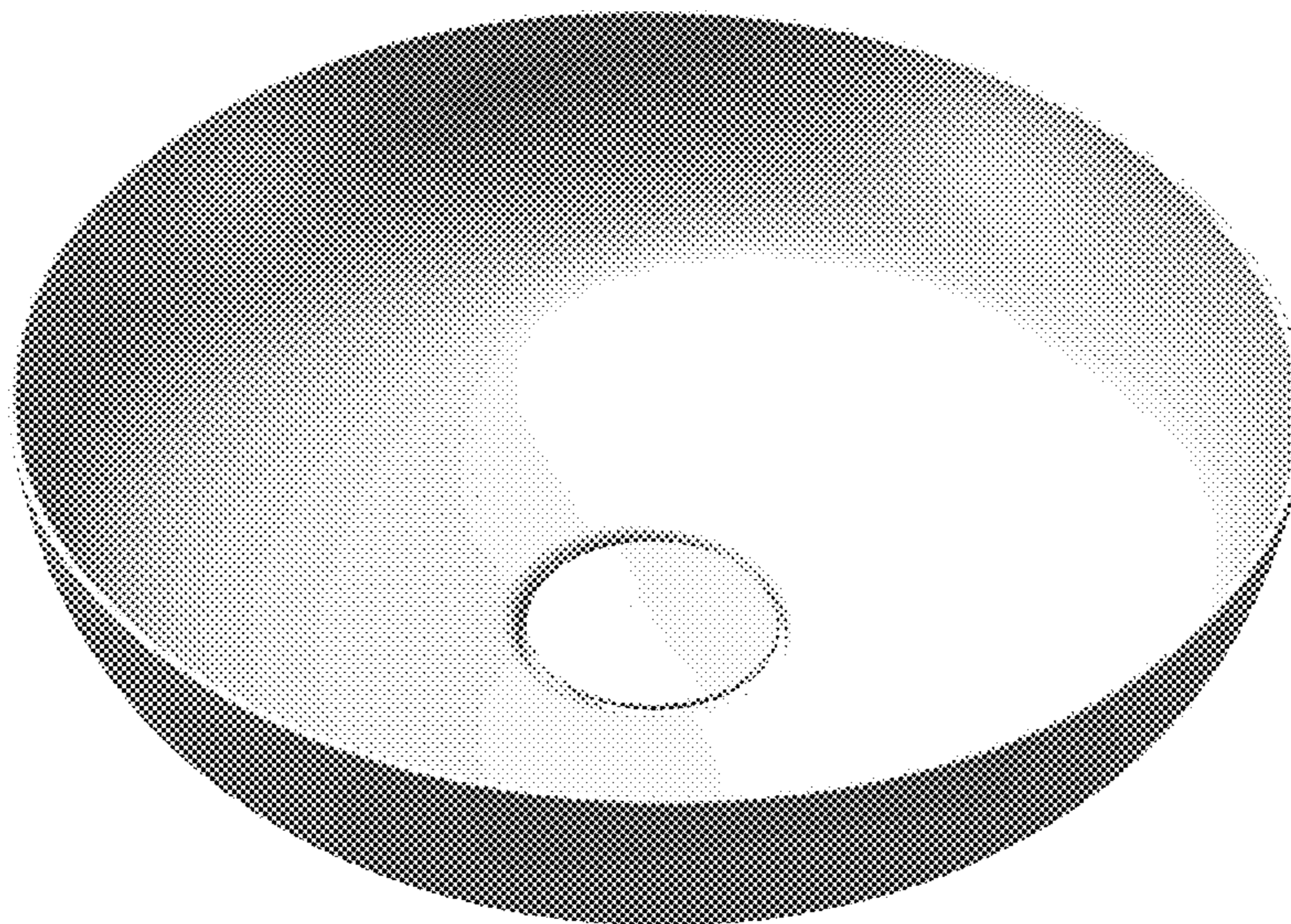




FIG. 1



FIG. 2

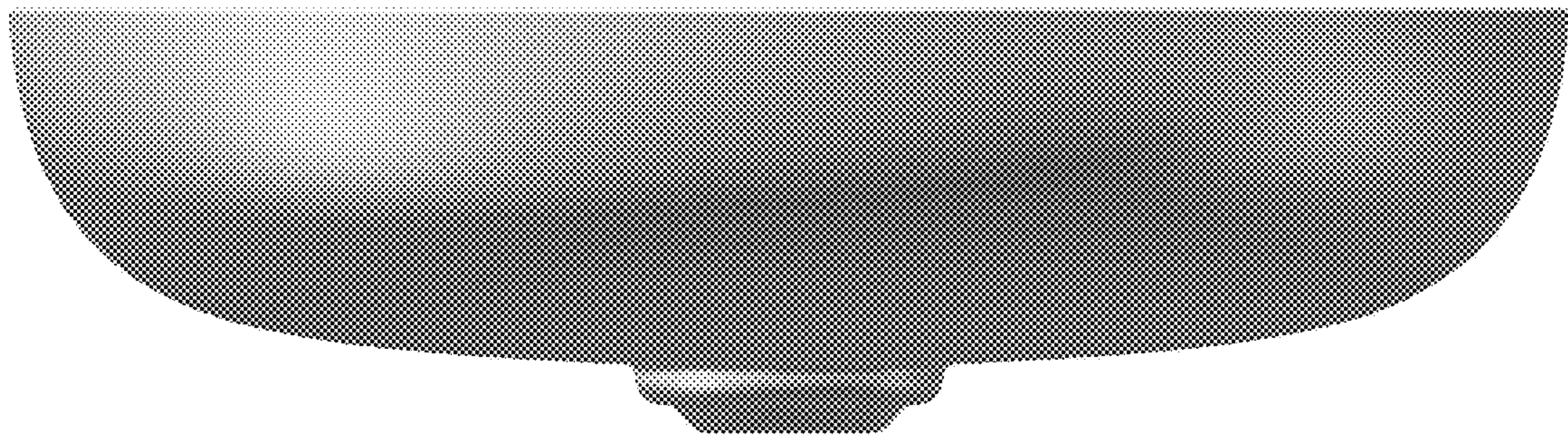


FIG. 3

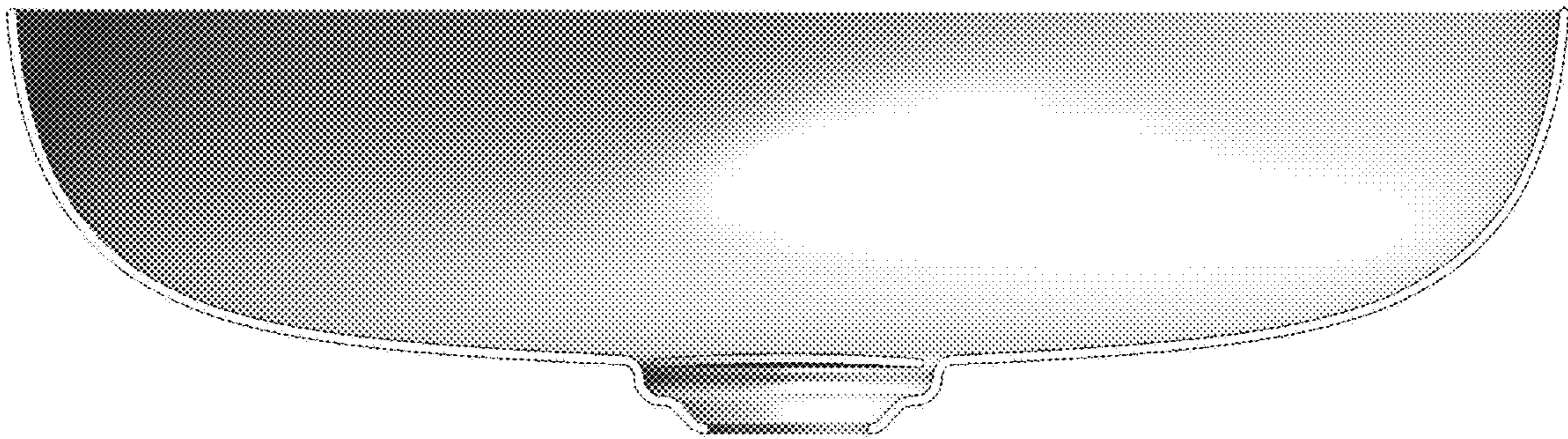


FIG. 4



FIG. 5



FIG. 6

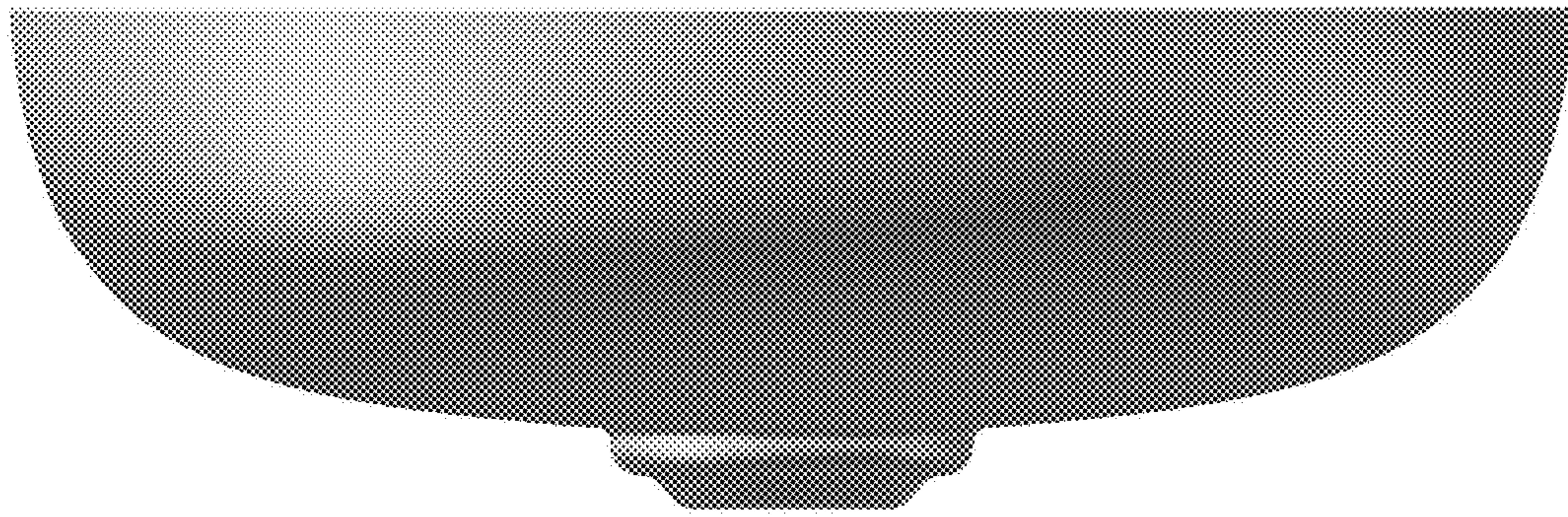


FIG. 7

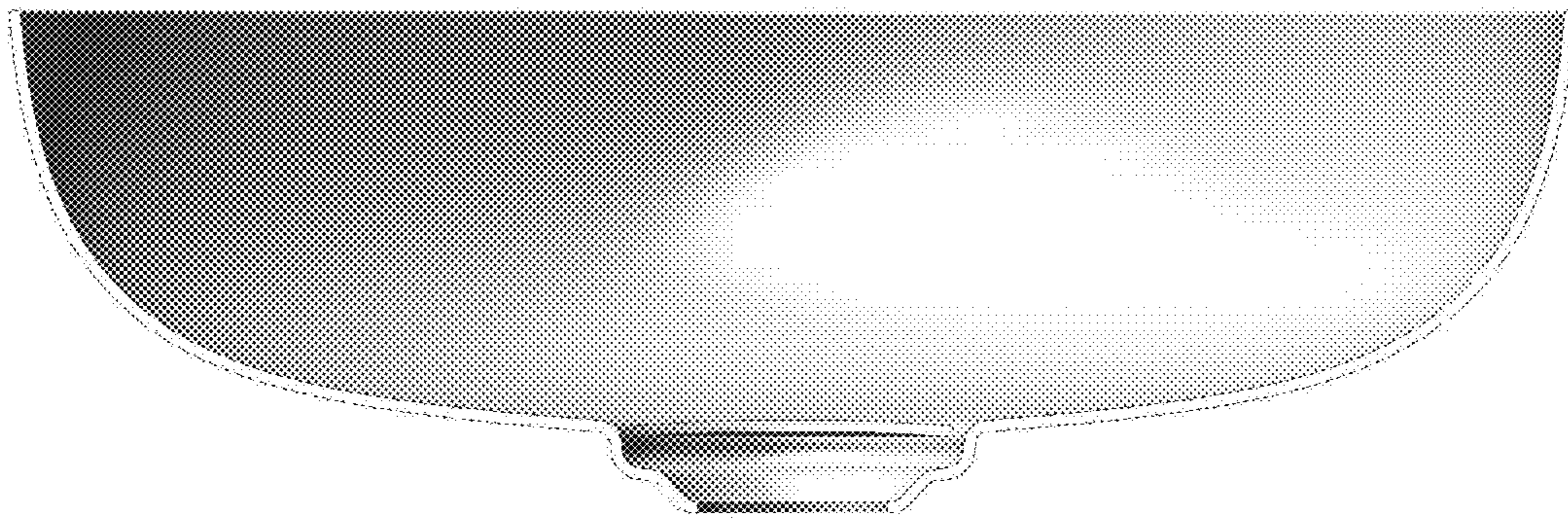


FIG. 8