



US00D842972S

(12) **United States Design Patent**
O'Brien

(10) **Patent No.:** **US D842,972 S**
(45) **Date of Patent:** **** Mar. 12, 2019**

- (54) **WALK IN BATH**
- (71) Applicant: **Kohler Co.**, Kohler, WI (US)
- (72) Inventor: **Sarah K. O'Brien**, Sheboygan, WI (US)
- (73) Assignee: **KOHLER CO.**, Kohler, WI (US)
- (**) Term: **15 Years**
- (21) Appl. No.: **29/590,651**
- (22) Filed: **Jan. 12, 2017**
- (51) **LOC (11) Cl.** **23-02**
- (52) **U.S. Cl.**
USPC **D23/279**
- (58) **Field of Classification Search**
USPC ... D23/277-279, 280.1, 280.2, 280.3, 280.4, D23/304-310
CPC . A47K 3/006; A47K 3/02; A47K 3/04; A47K 3/022; E05C 9/16
See application file for complete search history.

- 3,066,316 A 12/1962 Russel
- 3,371,354 A 3/1968 Hayslett
- 3,380,078 A 4/1968 Hanson
- 3,416,166 A 12/1968 Hanson
- 3,423,769 A 1/1969 Cowley
- 3,604,018 A 9/1971 Moran
- 3,663,971 A 5/1972 Bonhote
- D225,225 S 11/1972 Russel
- 3,703,733 A 11/1972 McLoughlin
- 3,719,960 A 3/1973 Russell
- 3,863,273 A 2/1975 Averill
- 3,864,762 A 2/1975 Finch et al.
- 3,990,183 A 11/1976 Meggs et al.

(Continued)

Primary Examiner — Brandon M Rosati

Assistant Examiner — John A Voytek

(74) *Attorney, Agent, or Firm* — Foley & Lardner LLP

(57) **CLAIM**

I claim the ornamental design for a walk in bath, as shown and described.

DESCRIPTION

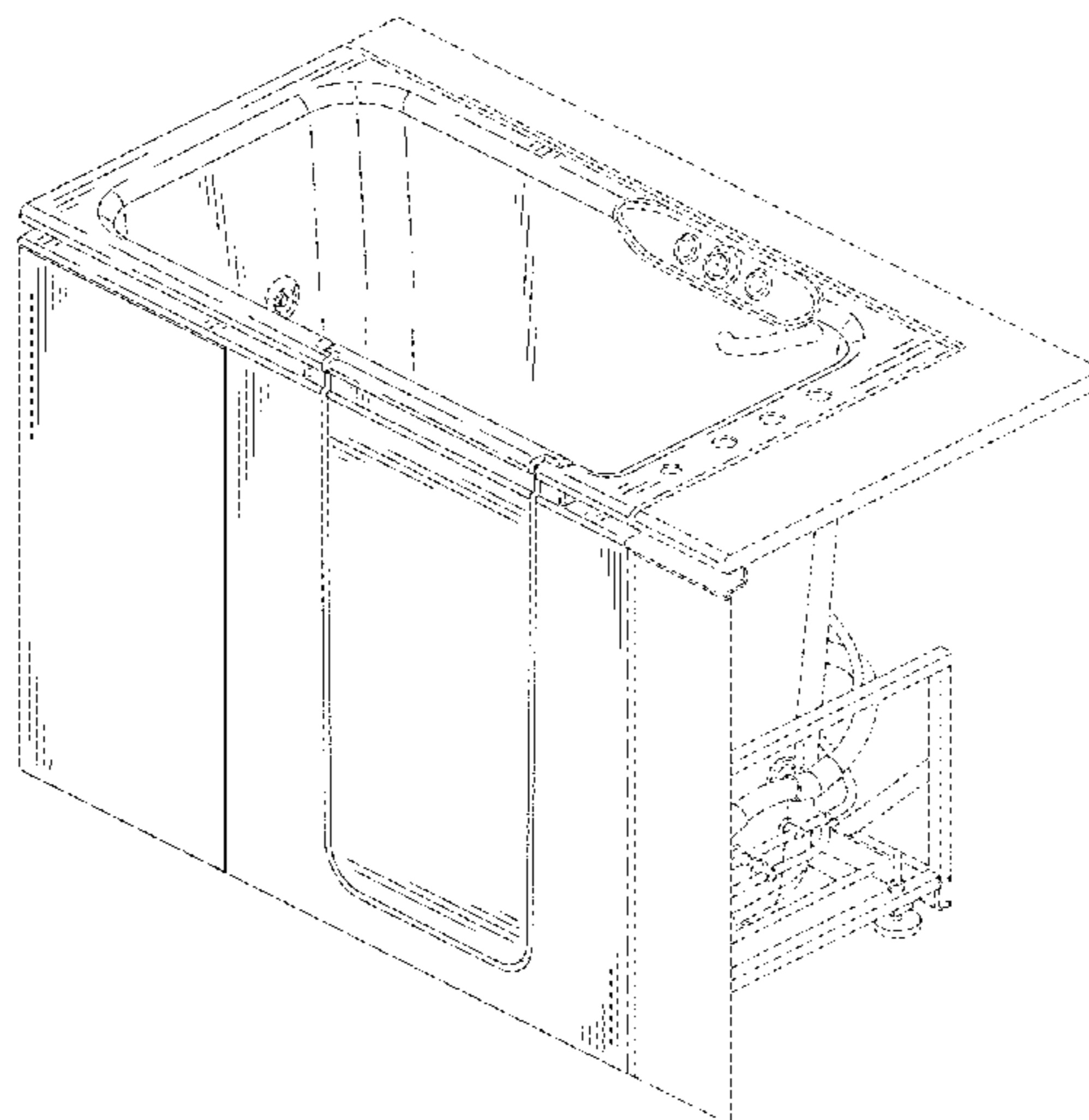
FIG. 1 is a perspective view of the claimed design; FIG. 2 is a front view of the design shown in FIG. 1; FIG. 3 is a top view of the design shown in FIG. 1; FIG. 4 is a cross-sectional view of the design shown in FIG. 1 taken along line 4-4 in FIG. 3; FIG. 5 is another cross-sectional view of the design shown in FIG. 1 taken along line 5-5 in FIG. 3; FIG. 6 is another cross-sectional view of the design shown in FIG. 1 taken along line 6-6 in FIG. 3; and, FIG. 7 is yet another cross-sectional view of the design shown in FIG. 1 taken along line 7-7 in FIG. 3.

The ornamental design which is claimed is shown in solid lines in the drawings. The broken lines in the drawings depict only environmental subject matter and form no part of the claimed design. The dash-dot lines indicate boundaries between claimed and unclaimed portions of the design.

1 Claim, 6 Drawing Sheets

(56) **References Cited**
U.S. PATENT DOCUMENTS

77,480 A	5/1868	Gourlay
228,722 A	6/1880	Arnd
746,389 A	12/1903	Schmidt
746,390 A	12/1903	Schmidt
2,068,457 A	1/1937	Kirkwood
2,075,933 A	4/1937	Friedlander
D143,766 S	2/1946	Stanitz
2,456,275 A	12/1948	Harris
2,569,825 A	10/1951	Otis
2,570,053 A	10/1951	Fowler et al.
2,714,725 A	4/1955	Boone
2,804,629 A	9/1957	Ring
2,977,604 A	4/1961	Miller
2,991,482 A	7/1961	Brass
3,015,110 A	1/1962	Treand



(56)

References Cited

U.S. PATENT DOCUMENTS

2007/0067901	A1	3/2007	Longman	2010/0263119	A1	10/2010	Neidich et al.	
2007/0107120	A1	5/2007	Ingraham	2010/0275364	A1	11/2010	Torres et al.	
2007/0130688	A1	6/2007	Thorne et al.	2010/0275365	A1	11/2010	Fainberg	
2007/0235454	A1	10/2007	Woodruff	2010/0325789	A1	12/2010	Ouyoung	
2008/0004677	A1	1/2008	Gay	2011/0017147	A1	1/2011	Petruzzi	
2008/0022448	A1	1/2008	Todd et al.	2011/0035871	A1	2/2011	Seymour et al.	
2008/0083063	A1	4/2008	Libit et al.	2011/0088159	A1	4/2011	Knapp et al.	
2008/0092361	A1	4/2008	Neidich	2011/0099787	A1	5/2011	Stafford	
2008/0098510	A1	5/2008	O'Brien et al.	2011/0131720	A1	6/2011	Dean	
2008/0109954	A1	5/2008	Neidich	2011/0167554	A1	7/2011	Sato et al.	
2008/0111383	A1	5/2008	Van Ravenhorst	2011/0167555	A1	7/2011	Zierler et al.	
2008/0134428	A1	6/2008	Call	2011/0308005	A1	12/2011	Smith	
2008/0178380	A1	7/2008	Rydalch	2012/0005820	A1	1/2012	Stafford	
2008/0189847	A1	8/2008	Yamasaki et al.	2012/0030870	A1	2/2012	Storm	
2008/0216228	A1	9/2008	Bonanno	2012/0030871	A1	2/2012	Eriksson	
2008/0222787	A1	9/2008	Staudinger	2012/0096638	A1	4/2012	Webb	
2008/0222790	A1	9/2008	Grant	2012/0192349	A1	8/2012	Torres et al.	
2008/0265548	A1	10/2008	Hammer et al.	2012/0192350	A1	8/2012	Stafford et al.	
2008/0301868	A1	12/2008	Libit et al.	2012/0198611	A1	8/2012	Zierler	
2009/0013460	A1	1/2009	Whitley	2012/0216343	A1	8/2012	Stafford et al.	
2009/0025136	A1	1/2009	Cheng	2012/0284992	A1	11/2012	Stafford	
2009/0139021	A1	6/2009	Cheng	2012/0304376	A1	12/2012	Neidich et al.	
2009/0211615	A1	8/2009	Ho	2012/0311778	A1	12/2012	Dixon	
2009/0288248	A1	11/2009	Longman	2013/0025044	A1	1/2013	Moyer	
2010/0037382	A1	2/2010	Spiker et al.	2013/0067655	A1	3/2013	Bennett et al.	
2010/0038934	A1	2/2010	Bennett et al.	2013/0086738	A1	4/2013	Millerd	
2010/0052920	A1	3/2010	Roach	2013/0086739	A1	4/2013	Booth, III	
2010/0088816	A1	4/2010	Rollins	2013/0145542	A1	6/2013	Luo	
2010/0101012	A1	4/2010	Sampson	2013/0219609	A1	8/2013	Libit	
2010/0156120	A1	6/2010	Luo	2013/0263371	A1	10/2013	Qian et al.	
2010/0192293	A1	8/2010	Sauers et al.	2013/0263967	A1	10/2013	Woodruff	
2010/0212083	A1	8/2010	Stafford	2013/0283518	A1	10/2013	Ciechanowski et al.	
2010/0236041	A1	9/2010	Stafford	2014/0075665	A1	3/2014	Sital et al.	
2010/0251476	A1	10/2010	Bates et al.	2014/0201900	A1*	7/2014	Torres	A47K 3/006 4/556
				2016/0000272	A1*	1/2016	Jin	A47K 3/006 4/555

* cited by examiner

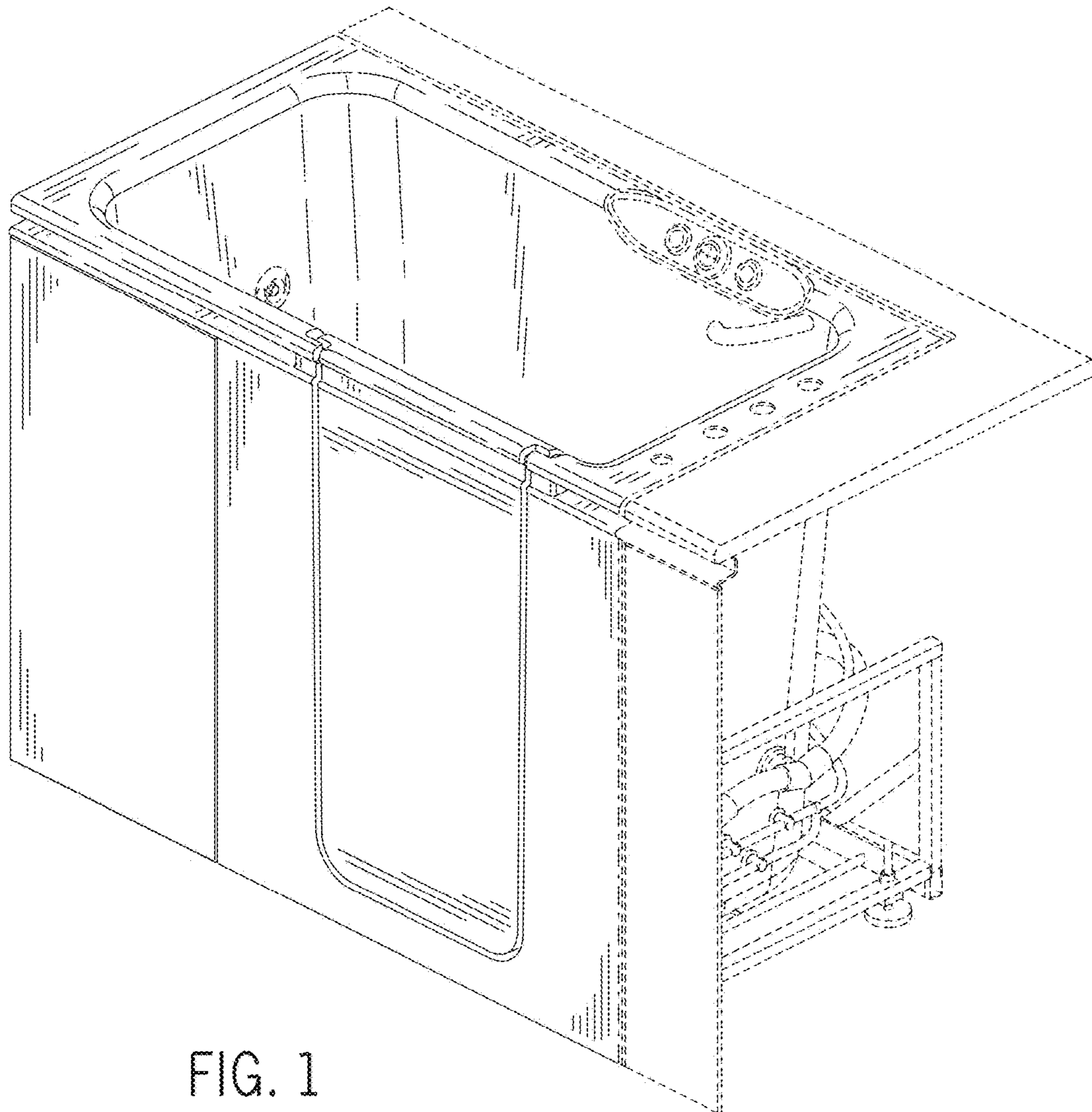


FIG. 1

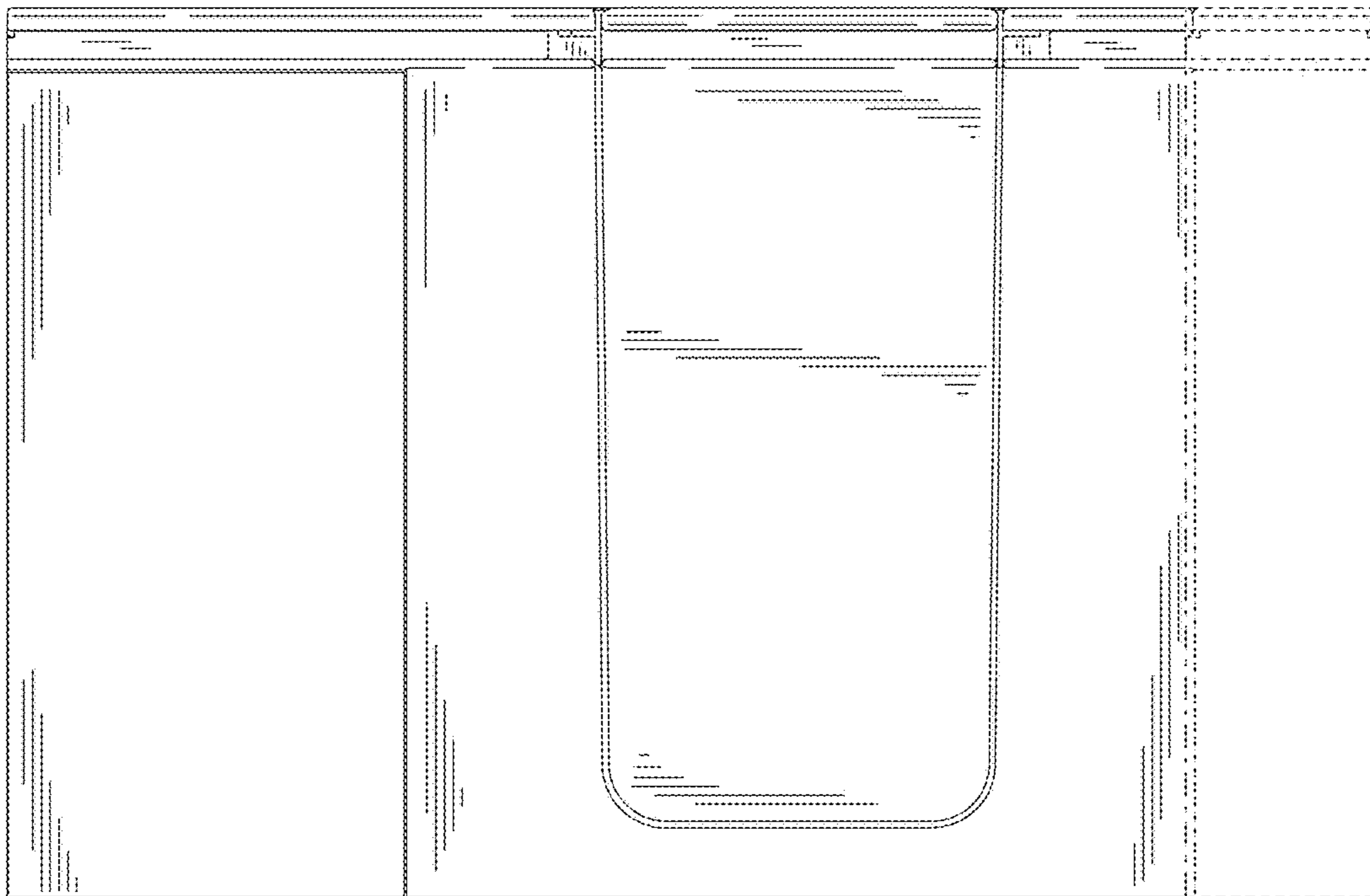


FIG. 2

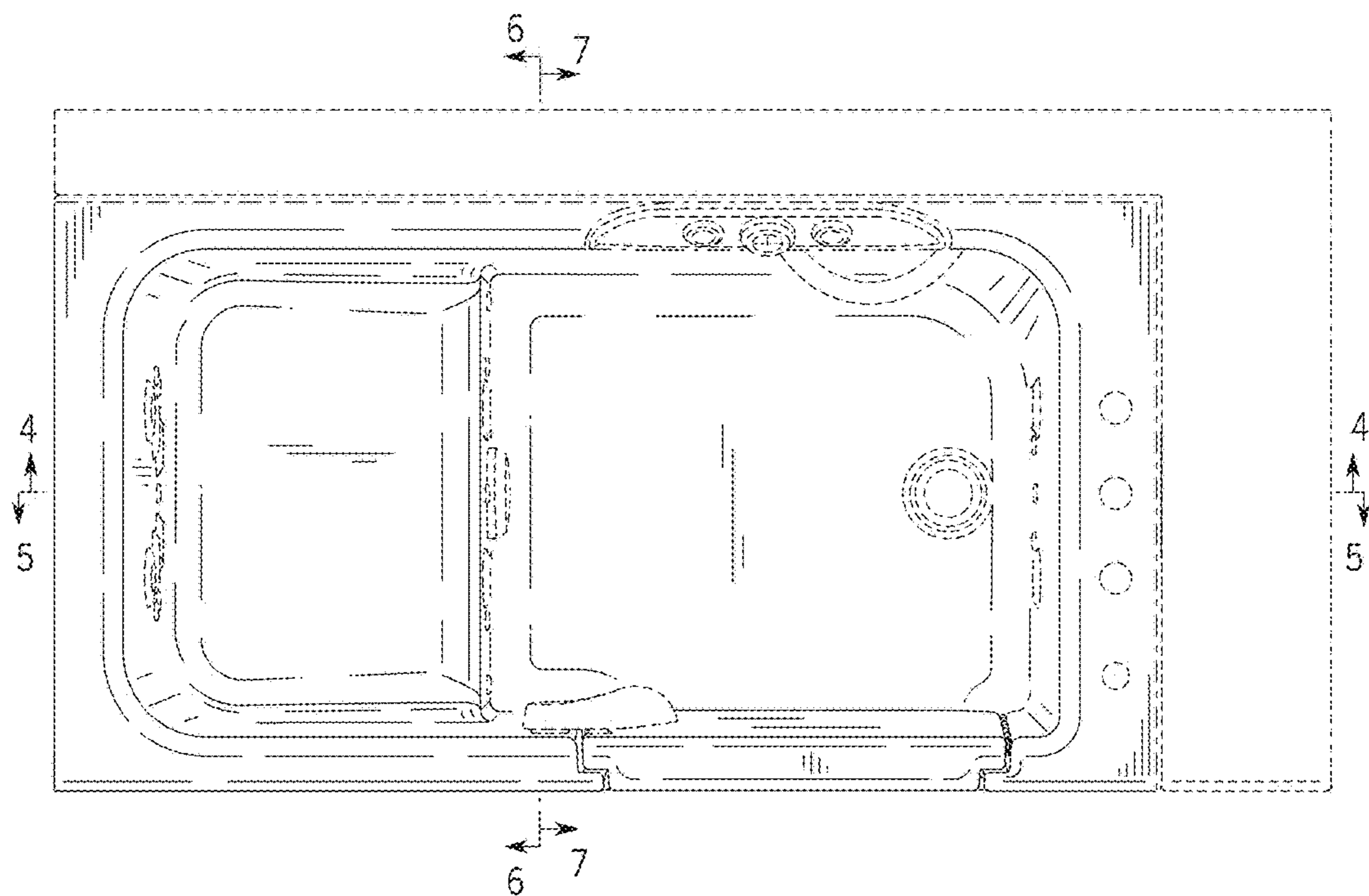


FIG. 3

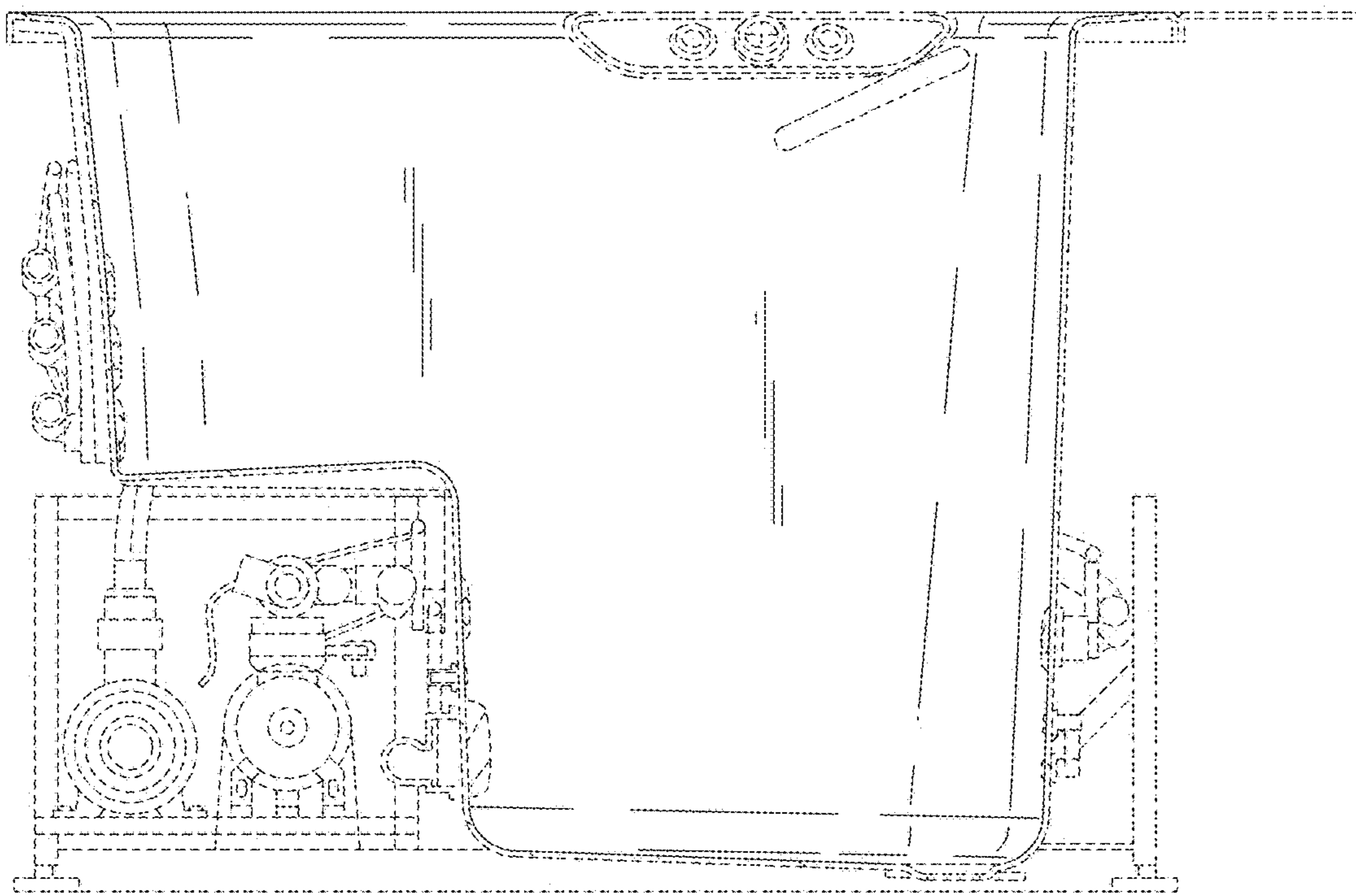


FIG. 4

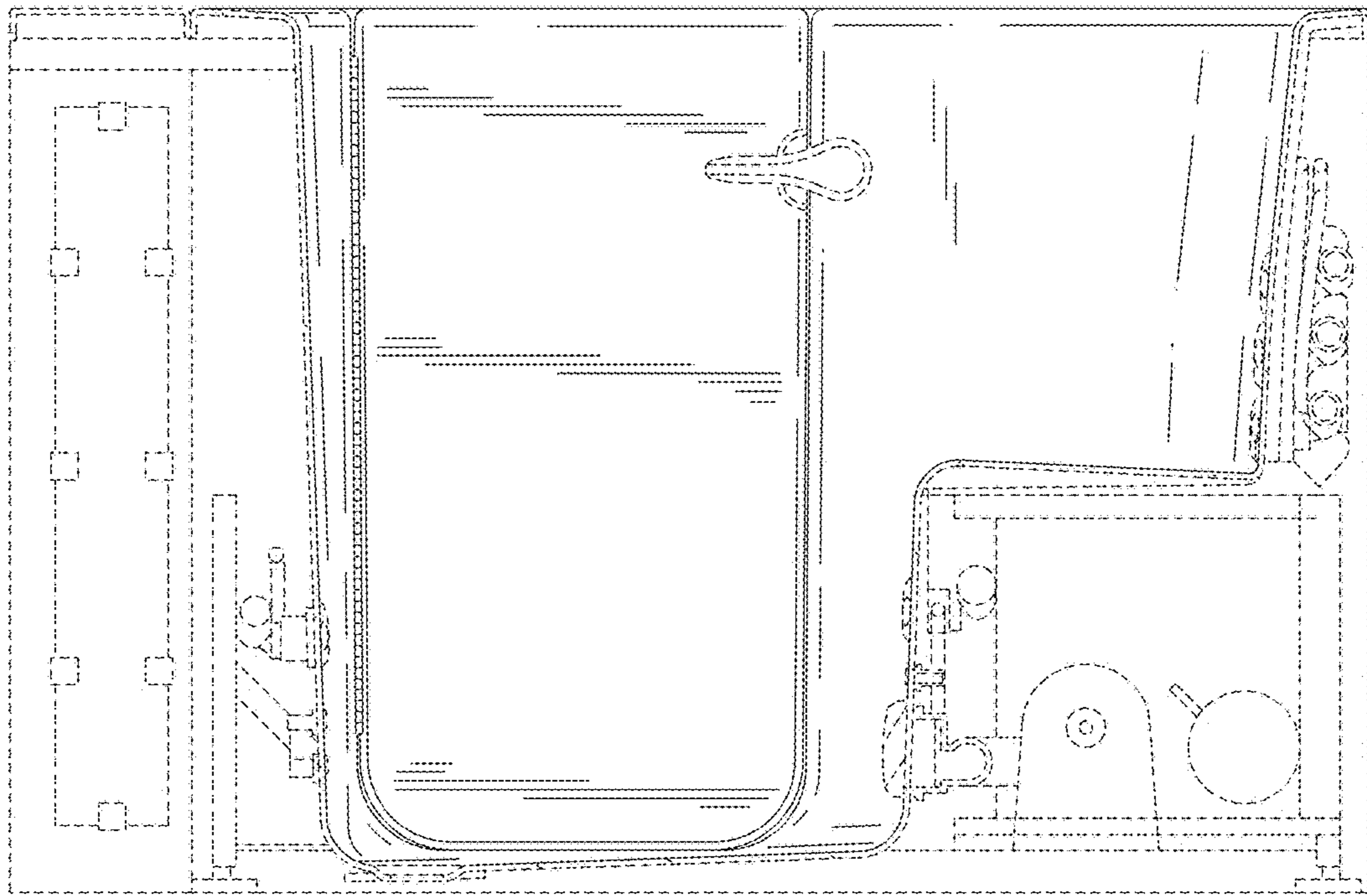


FIG. 5

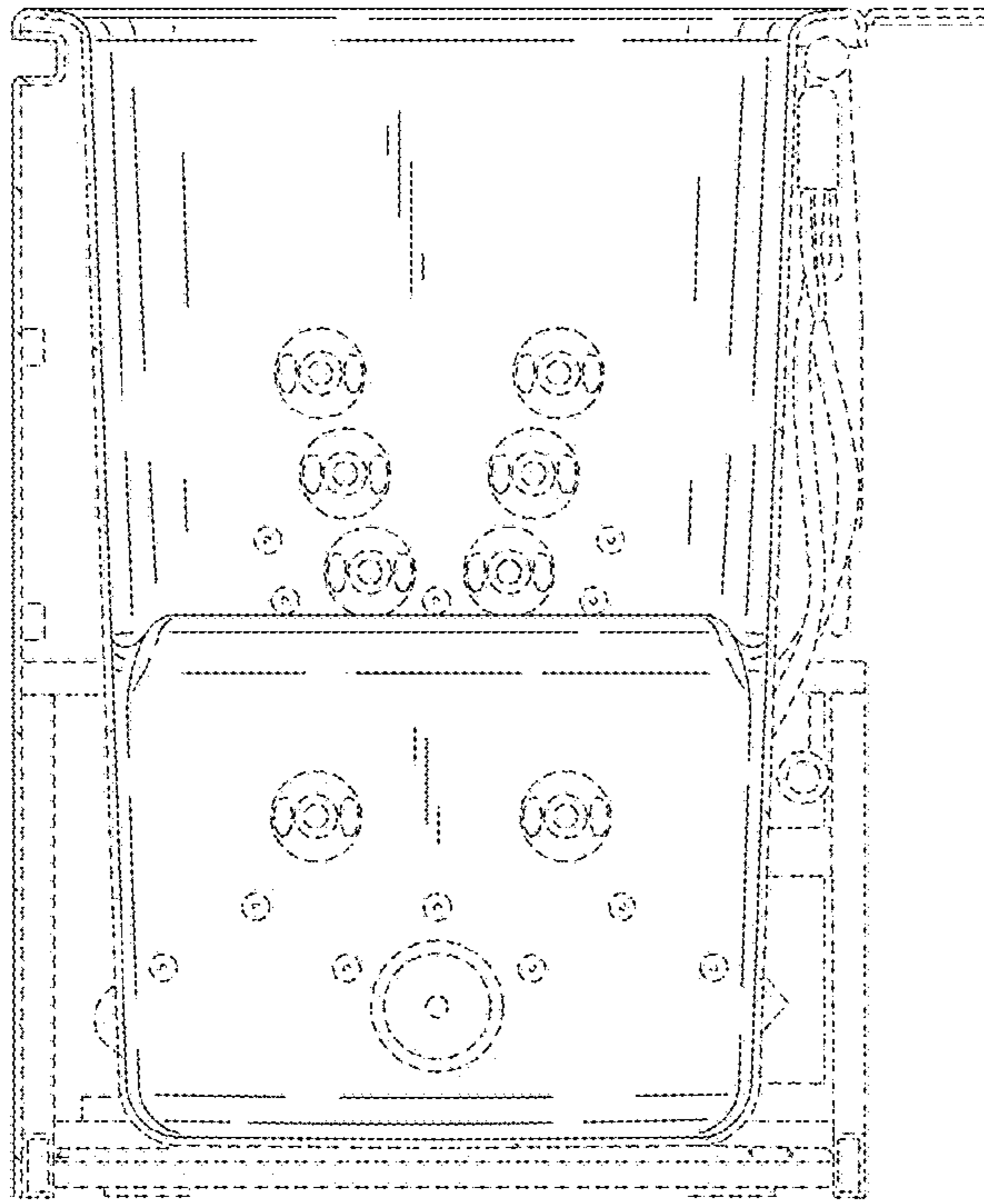


FIG. 6

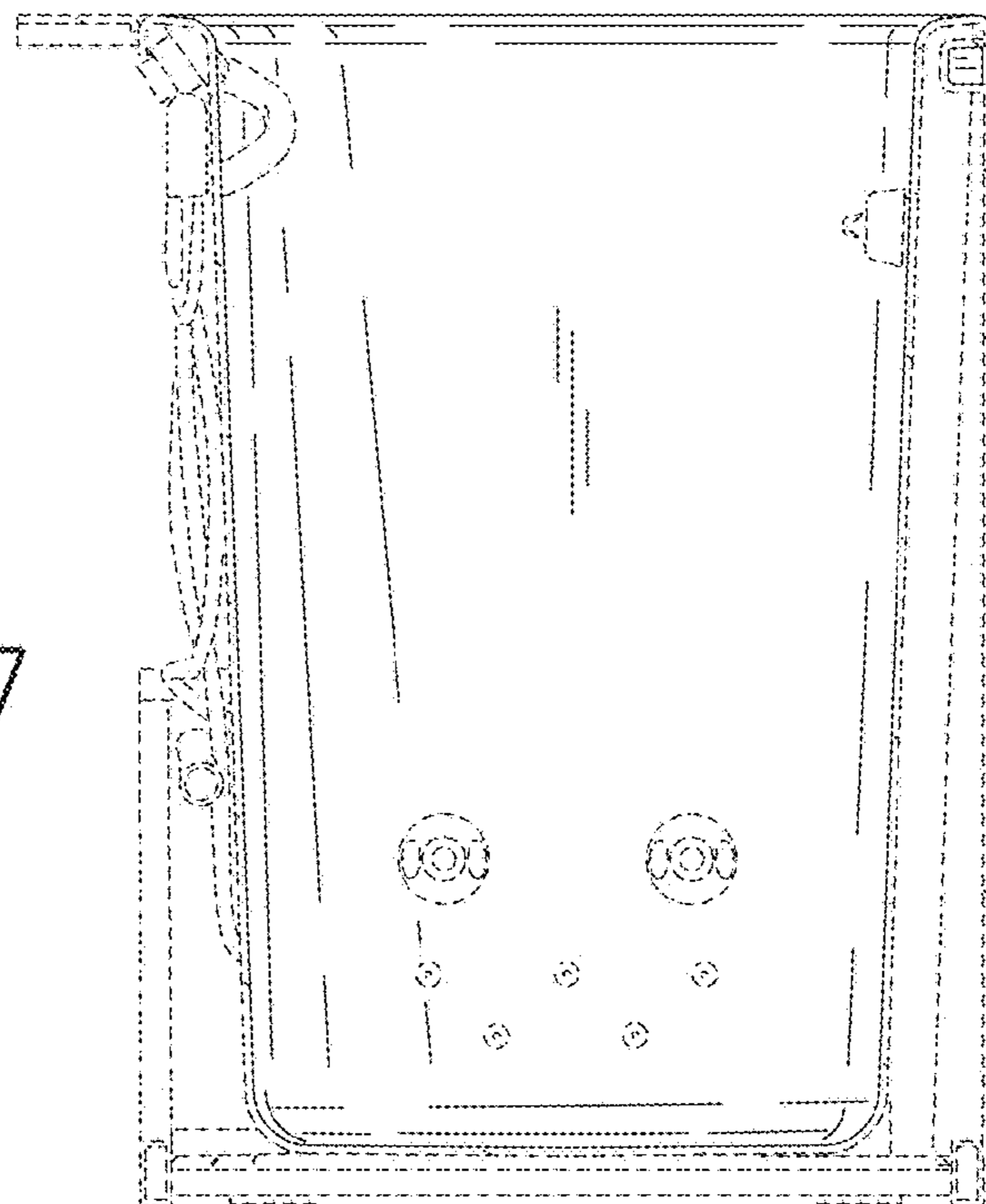


FIG. 7