



US00D842971S

(12) **United States Design Patent**  
**Löffler**

(10) **Patent No.:** **US D842,971 S**

(45) **Date of Patent:** **\*\* Mar. 12, 2019**

(54) **FITTING FOR HYDRAULIC SANITARY EQUIPMENT**

(71) Applicant: **OVENTROP GMBH & CO.KG**,  
Olsberg (DE)

(72) Inventor: **Gerhard Löffler**, Olsberg (DE)

(73) Assignee: **OVENTROP GMBH & CO. KG**,  
Olsberg (DE)

(\*\*) Term: **15 Years**

(21) Appl. No.: **35/501,973**

(22) Filed: **Nov. 10, 2016**

(80) **Hague Agreement Data**

Int. Filing Date: **Nov. 10, 2016**

Int. Reg. No.: **DM/093500**

Int. Reg. Date: **Nov. 10, 2016**

Int. Reg. Pub. Date: **Nov. 25, 2016**

(51) **LOC (11) Cl.** ..... **23-01**

(52) **U.S. Cl.**

USPC ..... **D23/259**

(58) **Field of Classification Search**

USPC ..... D23/233, 235, 245, 259-269

CPC . E05B 7/36; E05B 17/18; E05B 63/00; E05B

65/00; E05B 65/48; F16L 10/00; F16L

25/00; F16L 35/00; F16L 37/00

See application file for complete search history.

(56) **References Cited**

**U.S. PATENT DOCUMENTS**

D335,918 S \* 5/1993 Glansk ..... D23/245

D441,851 S \* 5/2001 Starck ..... D23/213

D504,715 S \* 5/2005 Hagihara ..... D23/235  
D625,777 S \* 10/2010 Löffler ..... D23/233  
D678,476 S \* 3/2013 Shumway ..... D23/235  
D686,699 S \* 7/2013 Evans, Jr. .... D23/233  
D802,721 S \* 11/2017 Downie ..... D23/245  
2013/0105019 A1\* 5/2013 Gross ..... F16K 11/0743  
137/896

\* cited by examiner

*Primary Examiner* — Keli L Hill

(74) *Attorney, Agent, or Firm* — Andrew Wilford

(57) **CLAIM**

The ornamental design for a fitting for hydraulic sanitary equipment, as shown and described.

**DESCRIPTION**

The patent or application file contains at least one drawing executed in color. Copies of this patent or patent application publication with color drawing(s) will be provided by the Office upon request and payment of the necessary fee.

**1.1** is a perspective view of the invention generally from the front;

**1.2** is a left-side view of the invention;

**1.3** is a right-side view of the invention;

**1.4** is a front view of the invention;

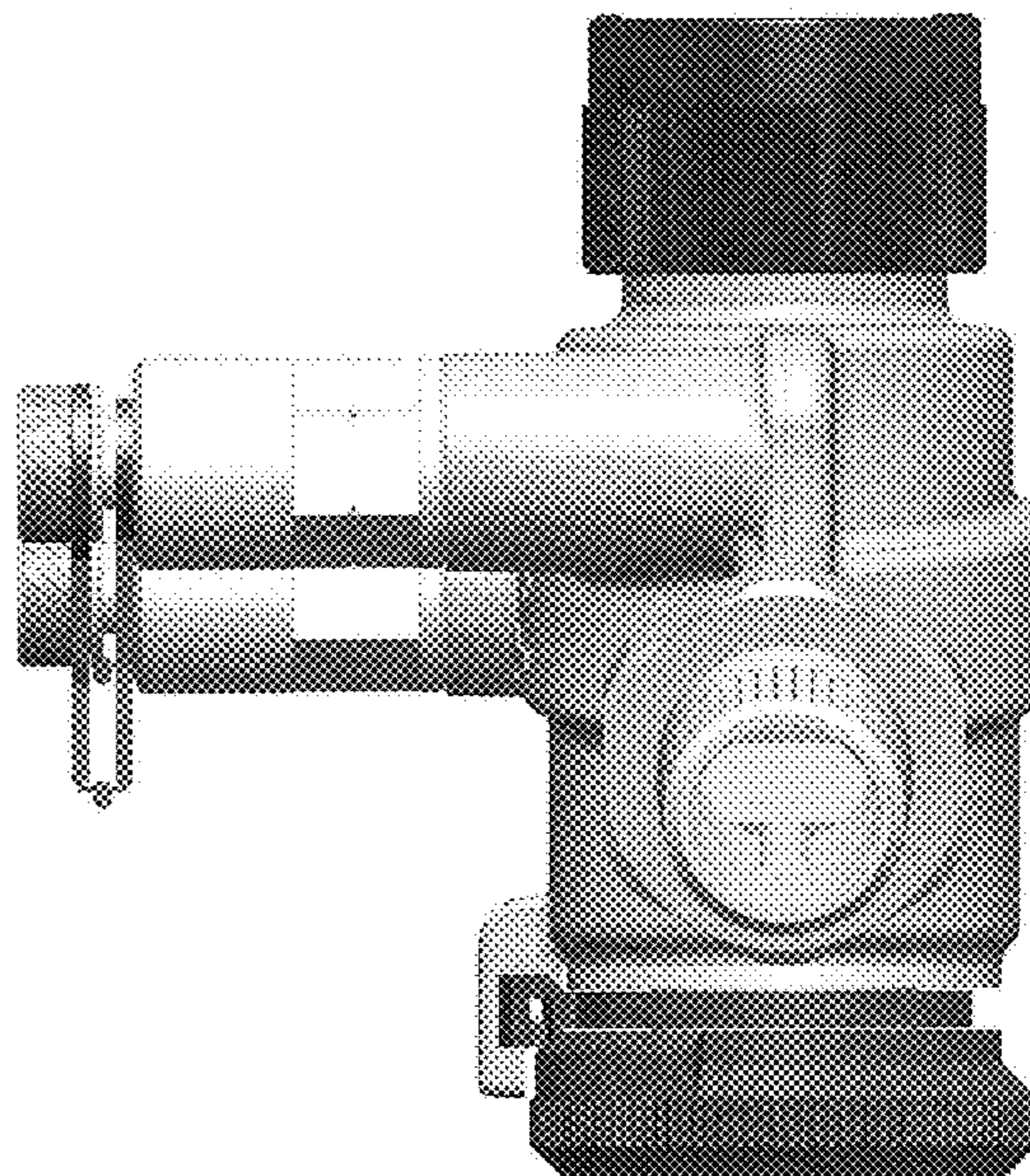
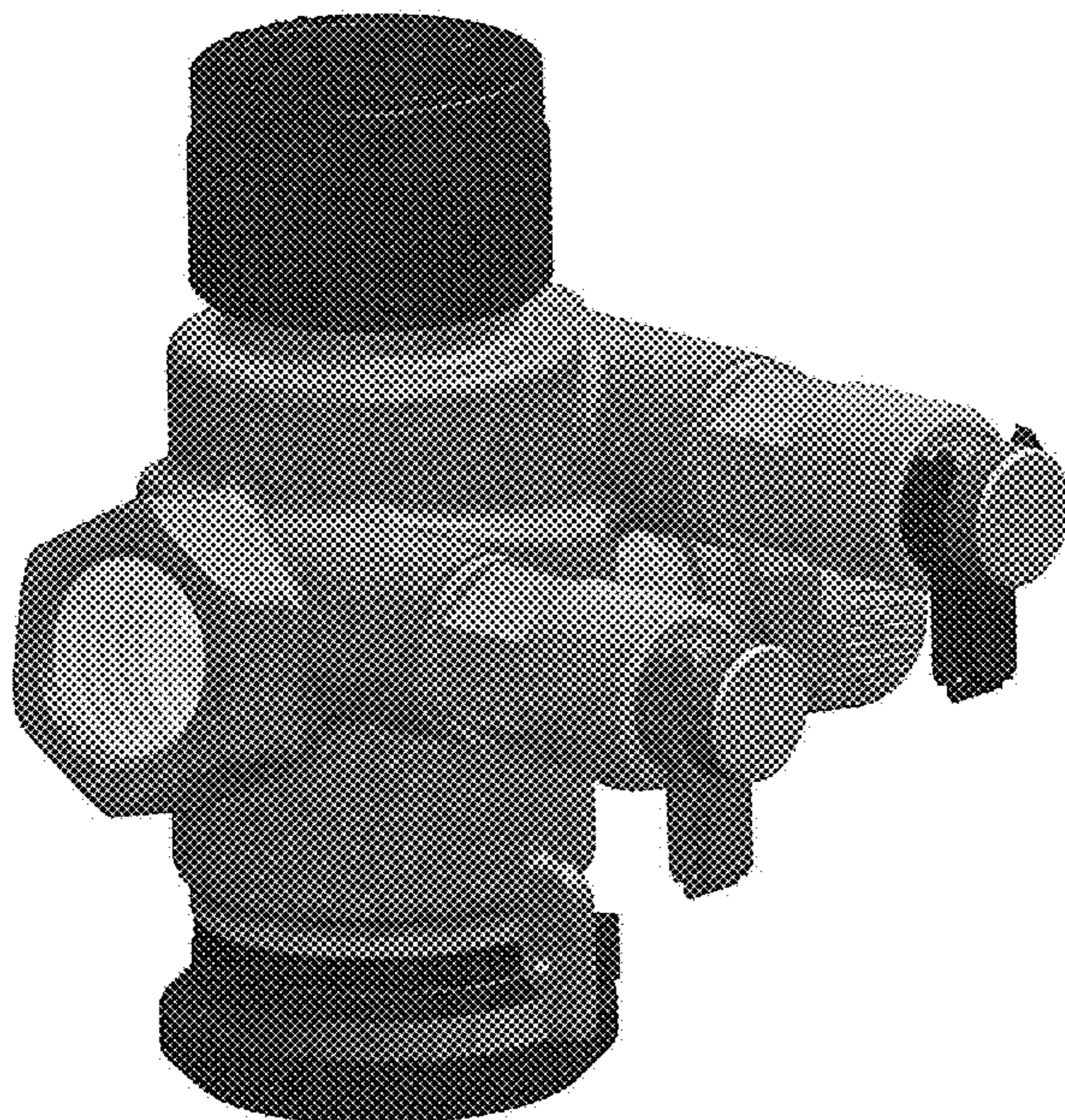
**1.5** is a back view of the invention;

**1.6** is a top view of the invention; and

**1.7** is a bottom view of the invention.

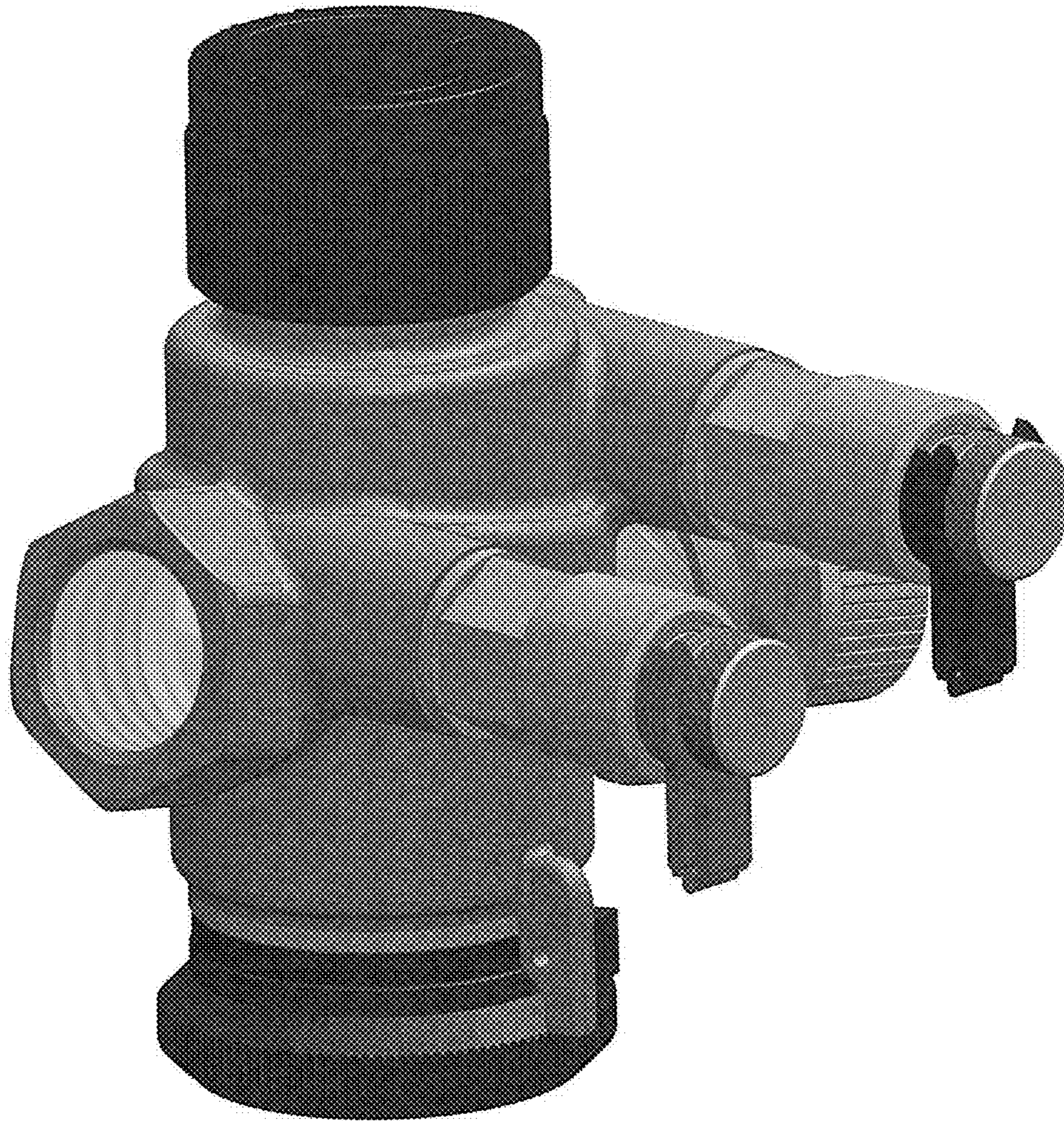
The yellow overlay shown in **1.1**, **1.2**, **1.3** and **1.7** are included for the purpose of illustrating portions of the fitting for hydraulic sanitary equipment that form no part of the claim.

**1 Claim, 7 Drawing Sheets**  
**(4 of 7 Drawing Sheet(s) Filed in Color)**



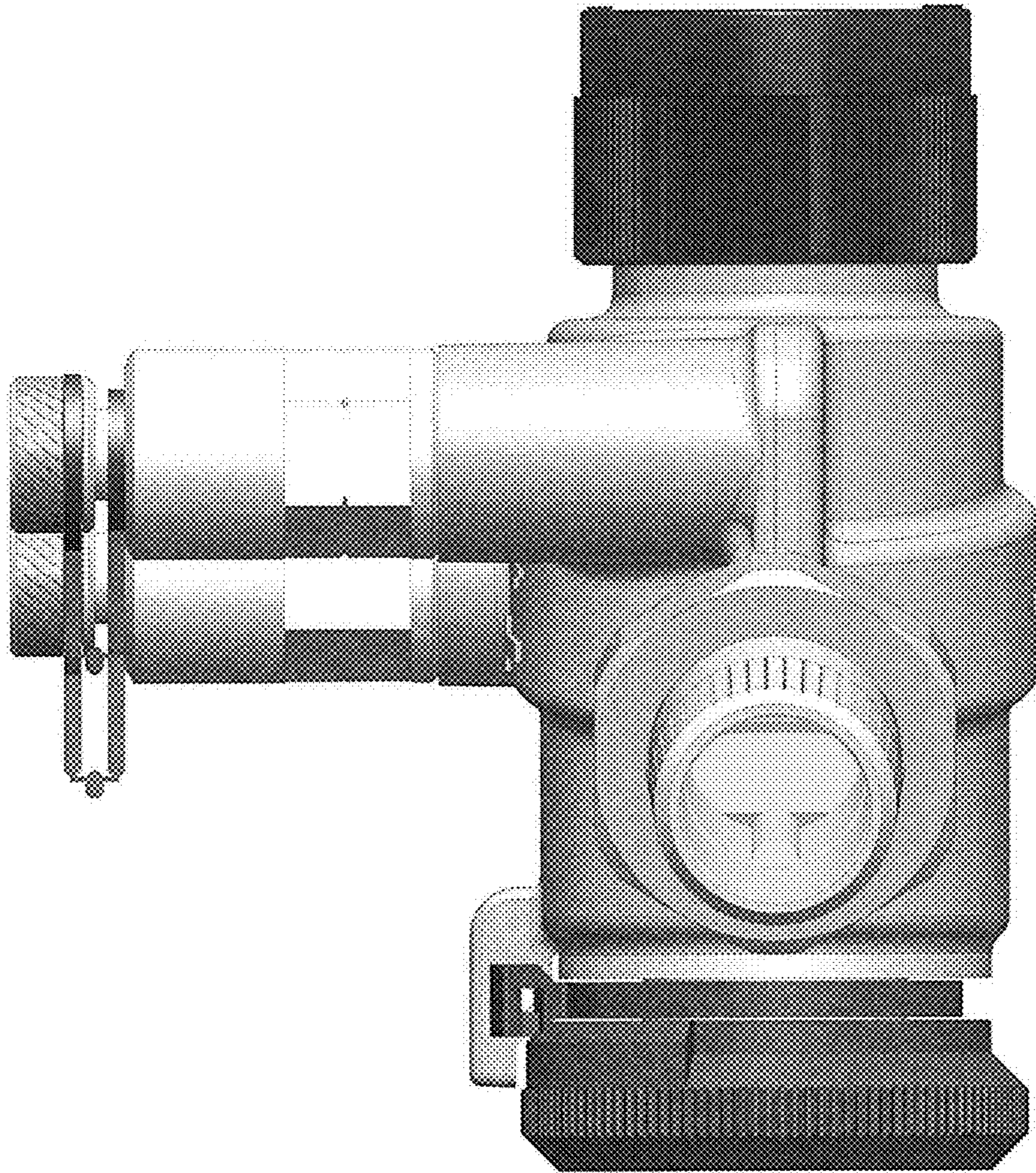


1.1



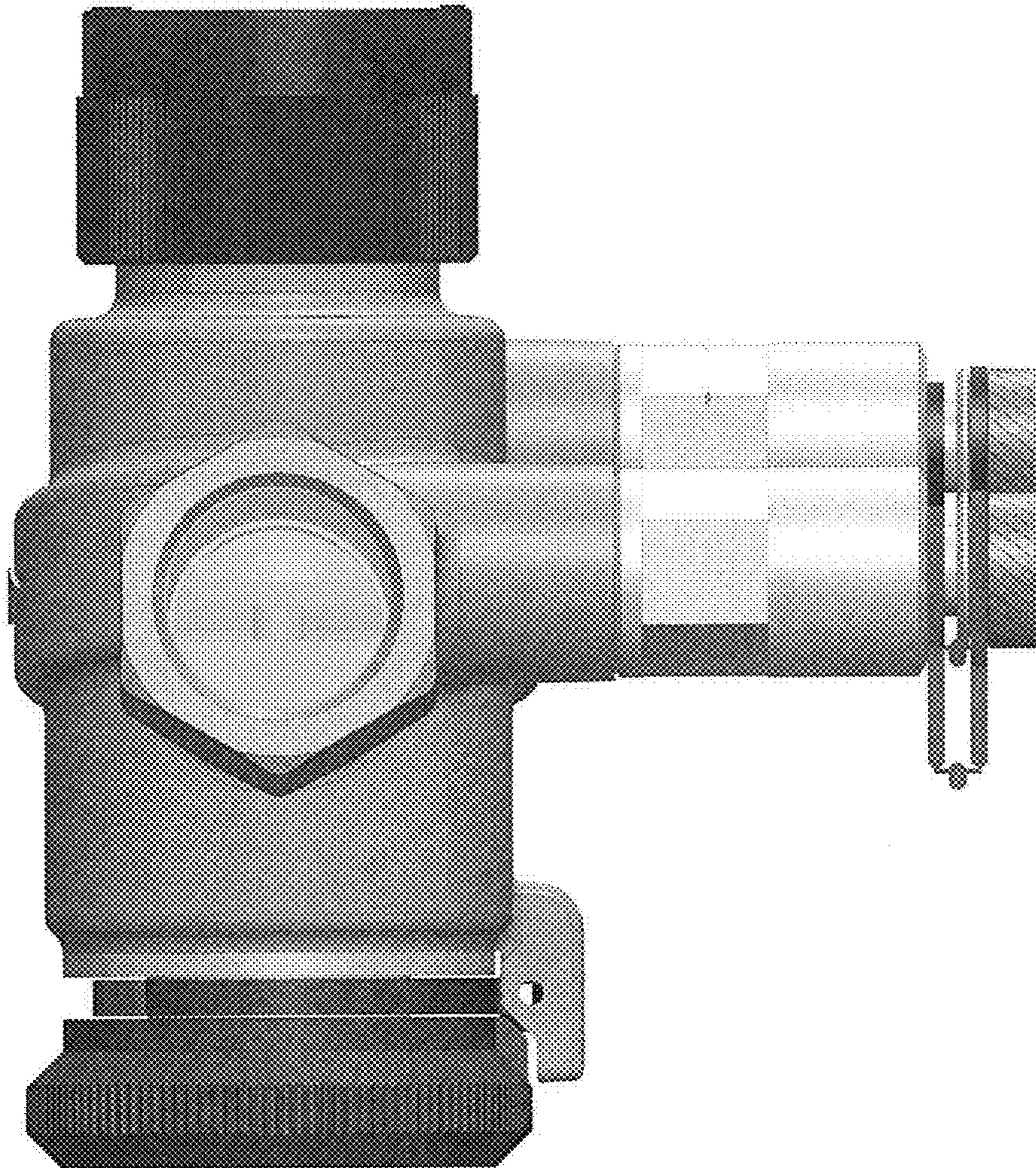


1.2



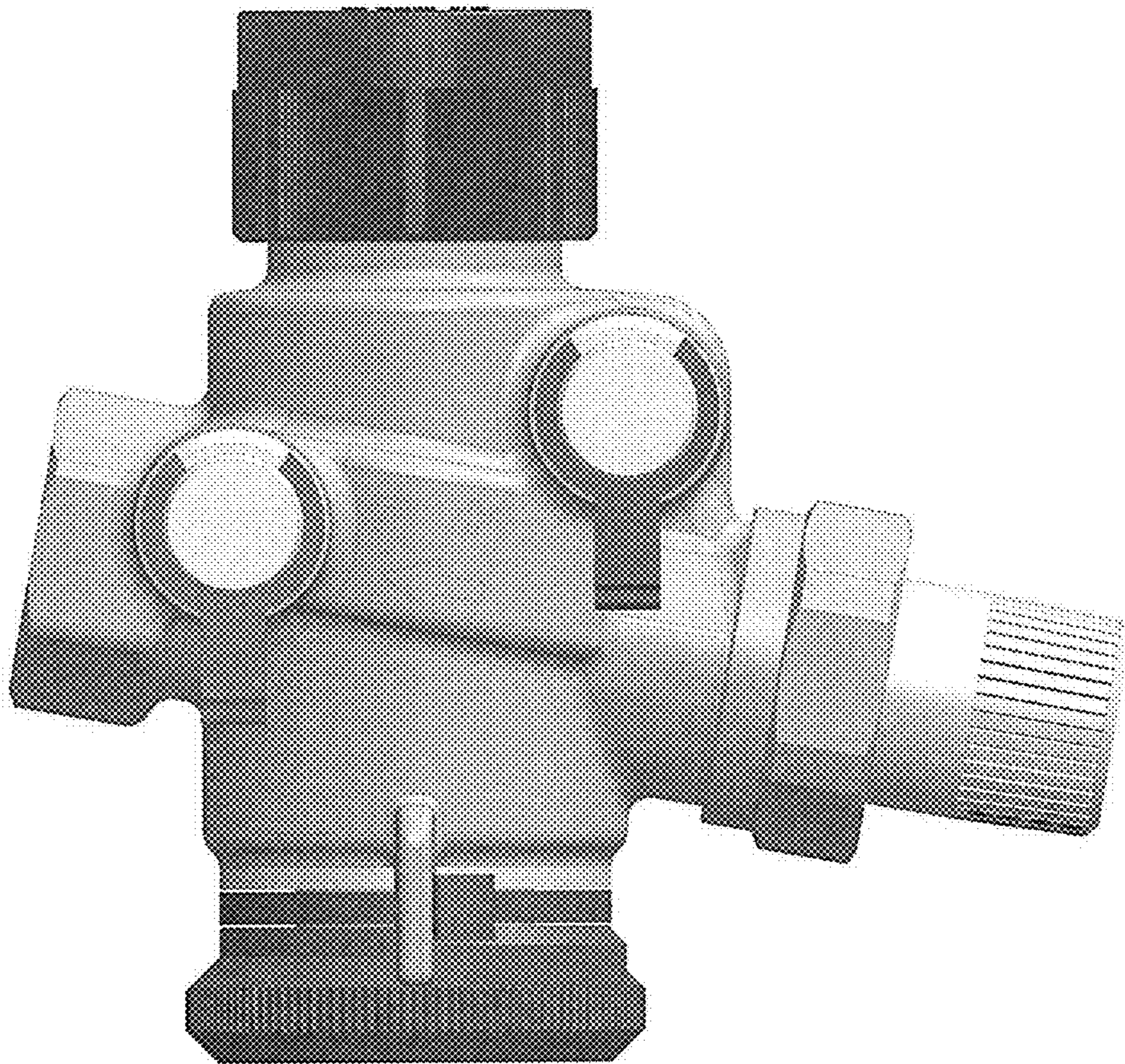


1.3

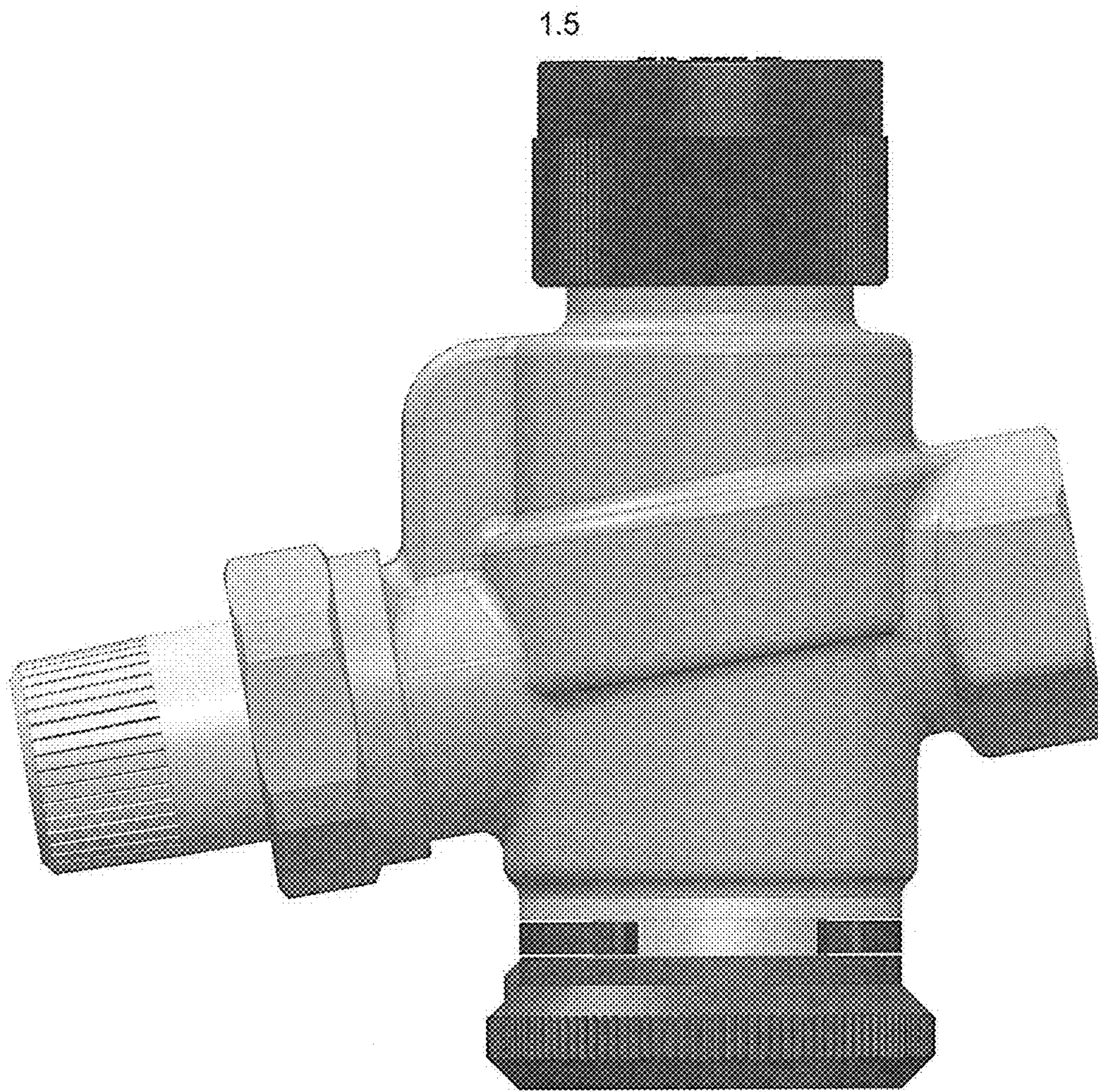




1.4









1.6

