



US00D842970S

(12) **United States Design Patent** (10) **Patent No.:** **US D842,970 S**
Rexach et al. (45) **Date of Patent:** **** Mar. 12, 2019**

- (54) **FAUCET**
- (71) Applicant: **Kohler Co.**, Kohler, WI (US)
- (72) Inventors: **Rafael A. Rexach**, Sheboygan, WI (US); **Tory L. Hayner**, Howards Grove, WI (US); **Drew Johnson**, Sheboygan, WI (US)
- (73) Assignee: **KOHLER CO.**, Kohler, WI (US)
- (**) Term: **15 Years**
- (21) Appl. No.: **29/657,993**
- (22) Filed: **Jul. 26, 2018**

- D717,925 S 11/2014 Rexach et al.
- D717,926 S 11/2014 Rexach et al.
- D718,426 S 11/2014 Rexach et al.
- D718,427 S 11/2014 Fritz
- D750,754 S 3/2016 Rexach
- D757,905 S 5/2016 Rexach

Related U.S. Application Data

- (62) Division of application No. 29/574,028, filed on Aug. 11, 2016, now Pat. No. Des. 827,106.
- (51) **LOC (11) Cl.** **23-01**
- (52) **U.S. Cl.**
USPC **D23/255**
- (58) **Field of Classification Search**
USPC D23/238–243, 249, 255, 257
CPC Y10T 137/9464
See application file for complete search history.

References Cited

U.S. PATENT DOCUMENTS

- D462,749 S 9/2002 Lord
- D472,615 S 4/2003 Smith
- D487,916 S 3/2004 Lord
- D521,125 S 5/2006 Fritz
- D576,710 S 9/2008 Fritz
- D586,429 S 2/2009 Fritz
- D683,428 S 5/2013 Kwok
- D717,917 S 11/2014 Rexach et al.

OTHER PUBLICATIONS

U.S. Appl. No. 29/542,966, filed Oct. 20, 2015, Kohler Co.

Primary Examiner — Robert A Delehanty

(74) *Attorney, Agent, or Firm* — Foley & Lardner LLP

(57) **CLAIM**

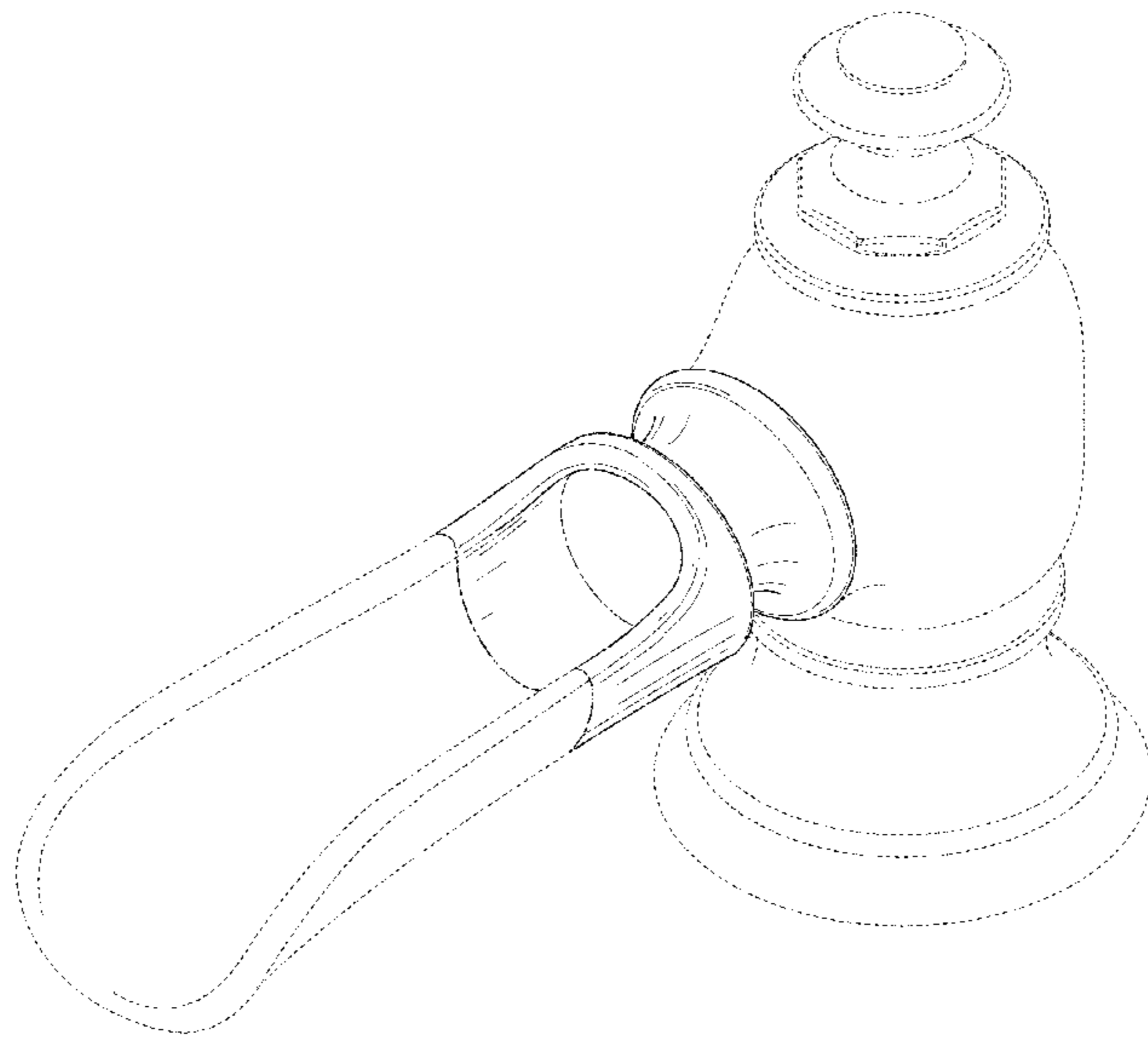
We claim the ornamental design for a faucet, as shown and described.

DESCRIPTION

FIG. 1 is a top, front, right perspective view of an embodiment of the claimed design;
 FIG. 2 is a front elevation view thereof;
 FIG. 3 is a rear elevation view thereof;
 FIG. 4 is a right side elevation view thereof;
 FIG. 5 is a left side elevation view thereof;
 FIG. 6 is a top plan view thereof; and,
 FIG. 7 is a bottom plan view thereof.

The ornamental design which is claimed is shown in solid lines in the drawings. The broken lines in the drawings are for illustrative purposes only and form no part of the claimed design. Broken lines formed by equal length dashes show unclaimed subject matter. Broken lines formed by unequal length dashes (i.e., dash-dot) define bounds of the claimed design.

1 Claim, 7 Drawing Sheets



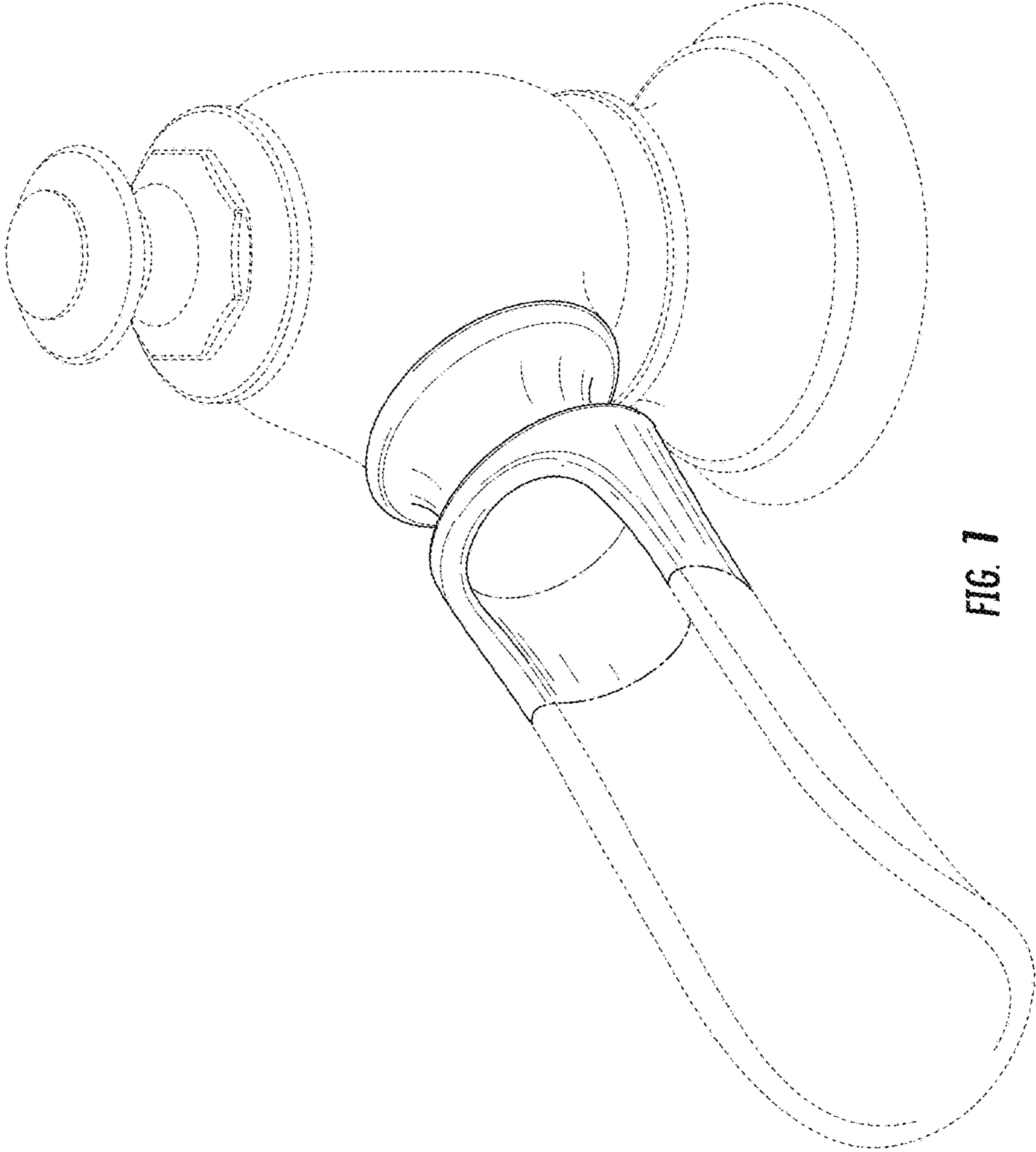


FIG. 7

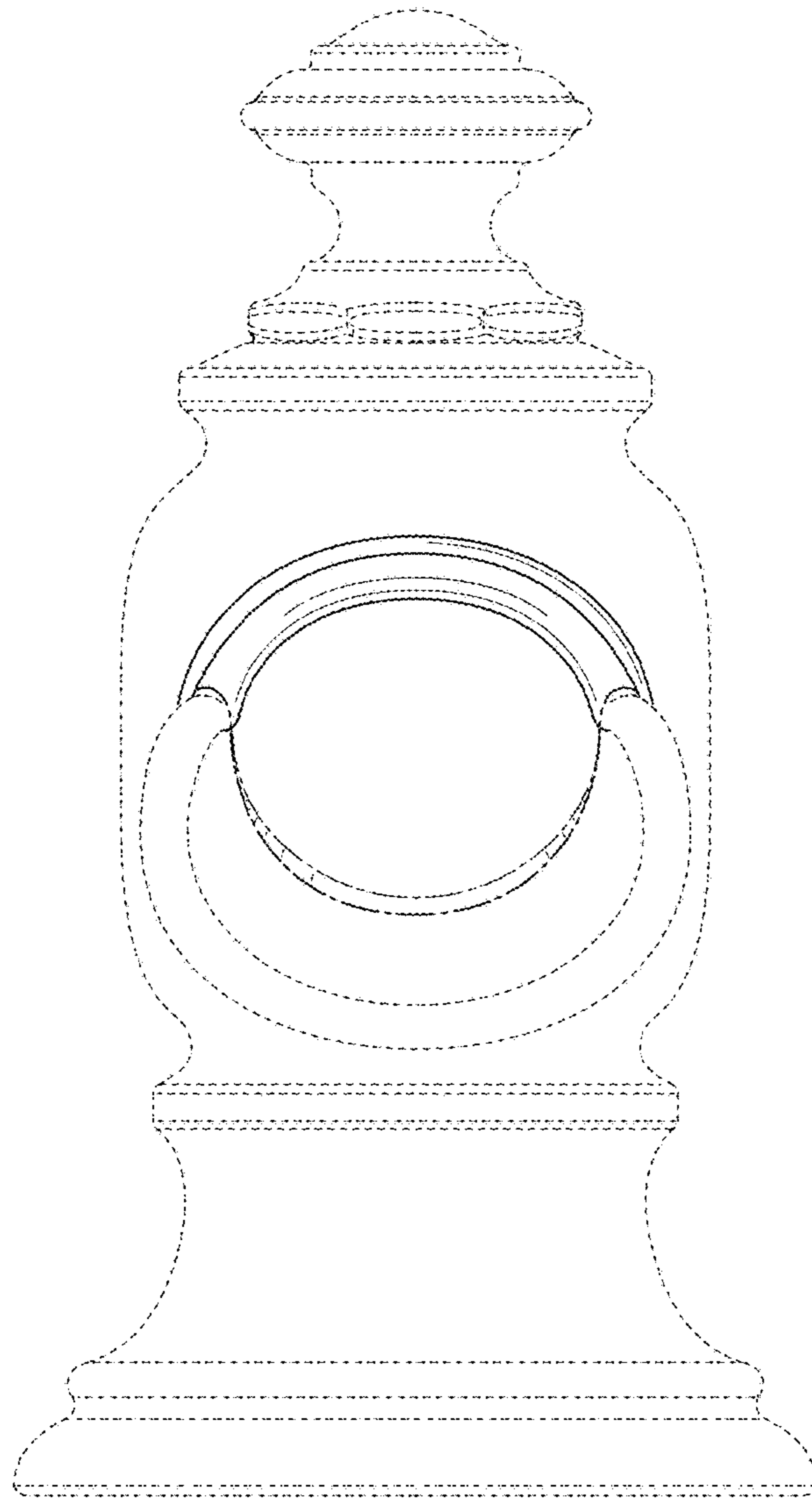


FIG. 2

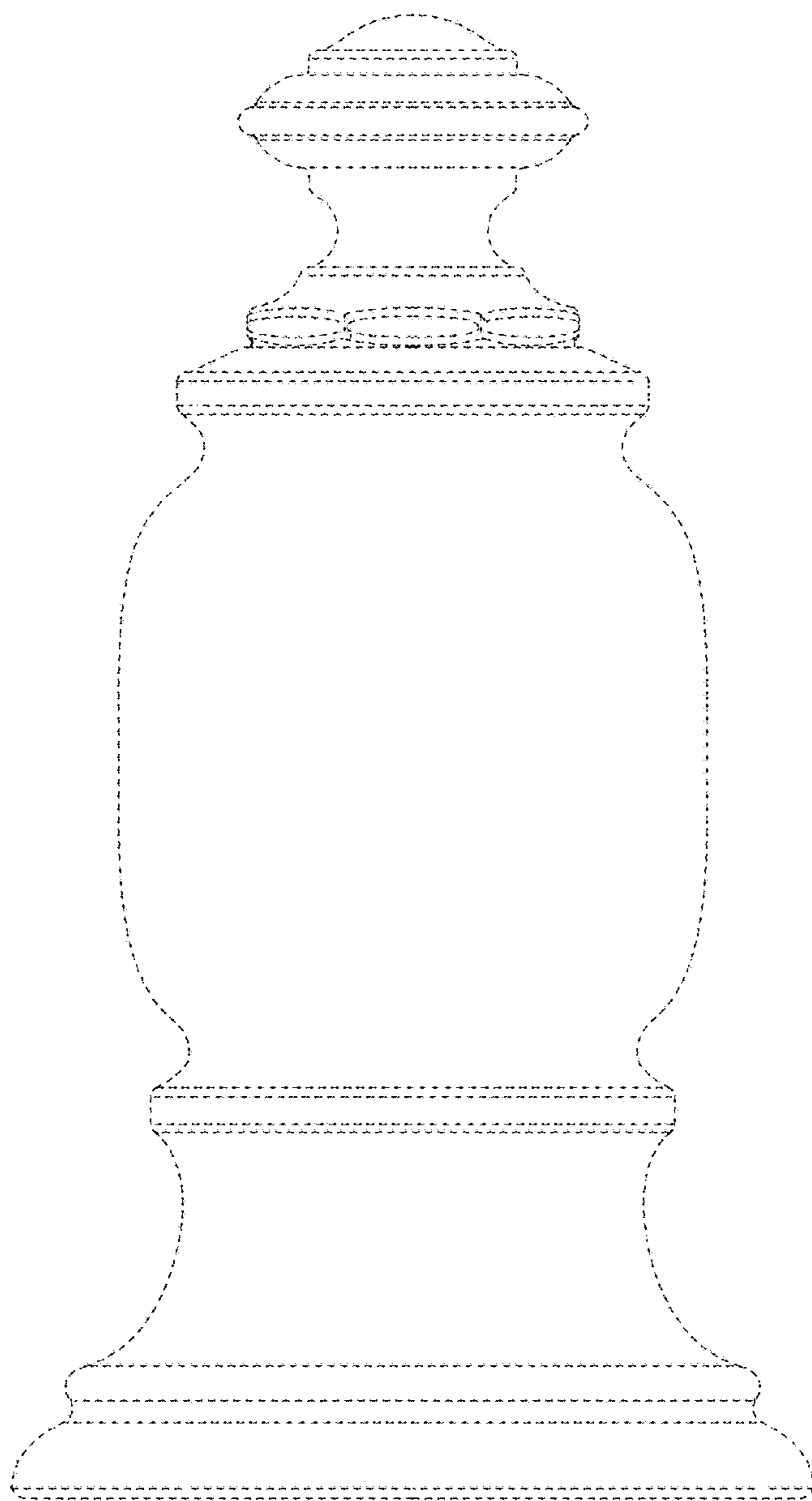


FIG. 3

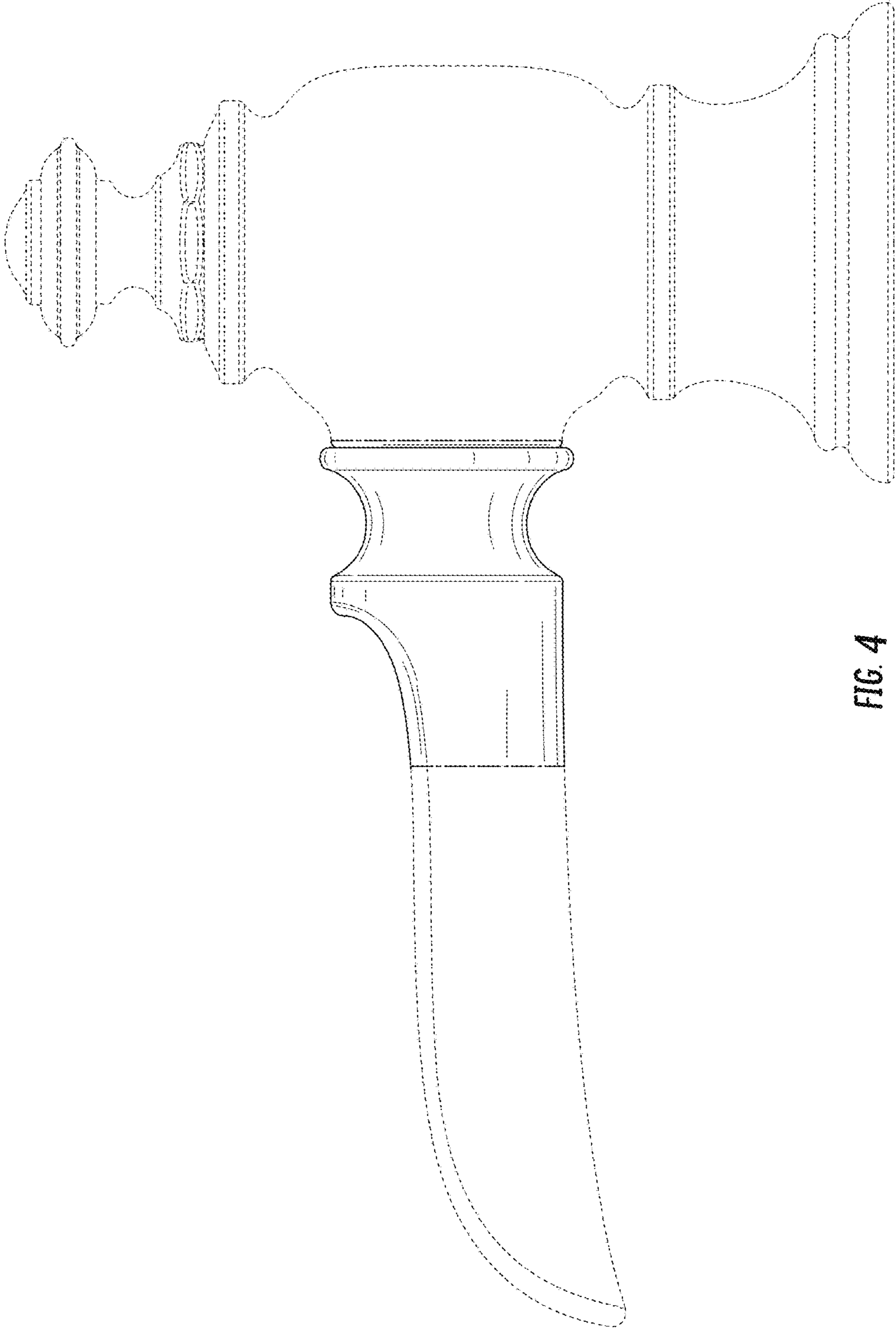


FIG. 4

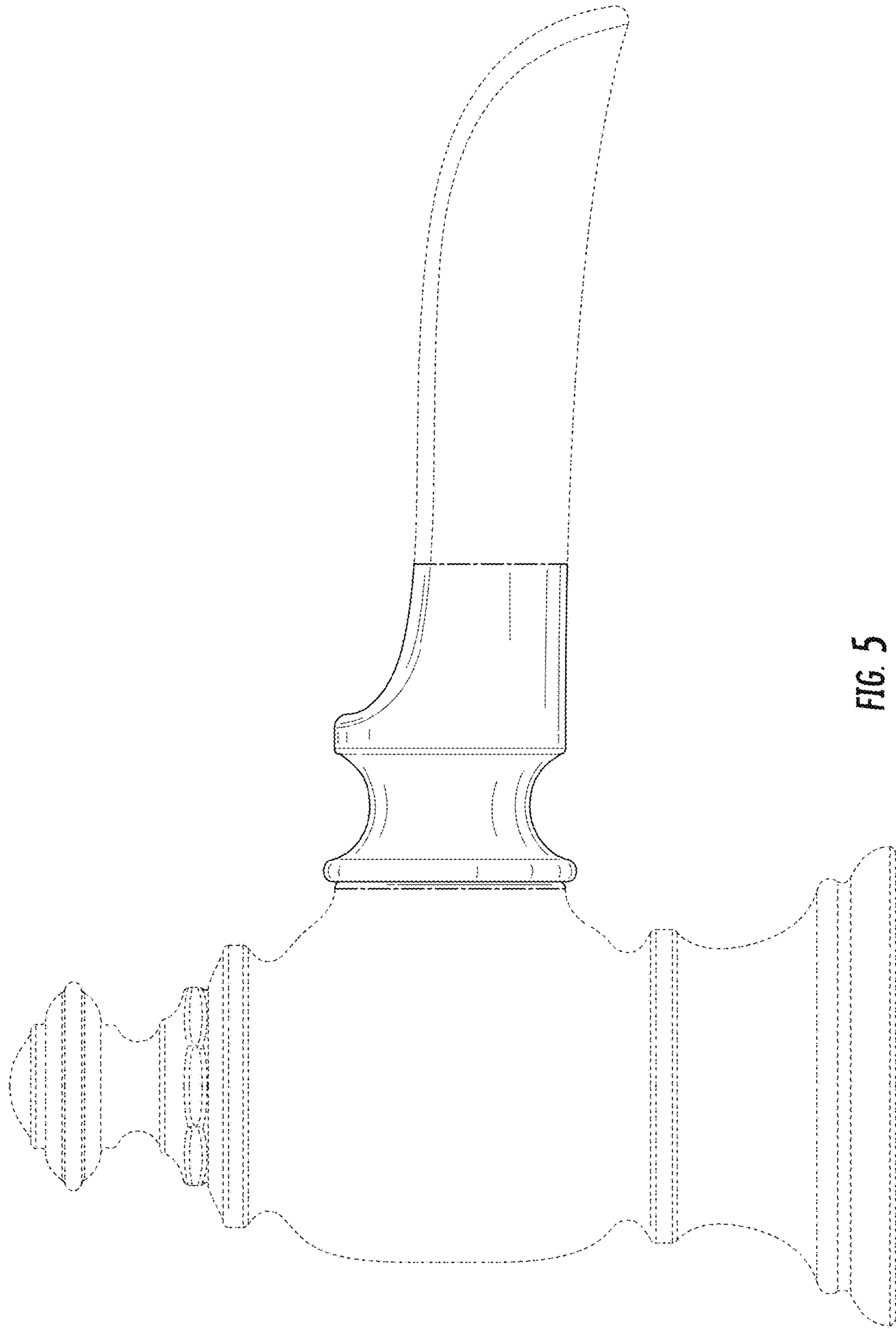


FIG. 5

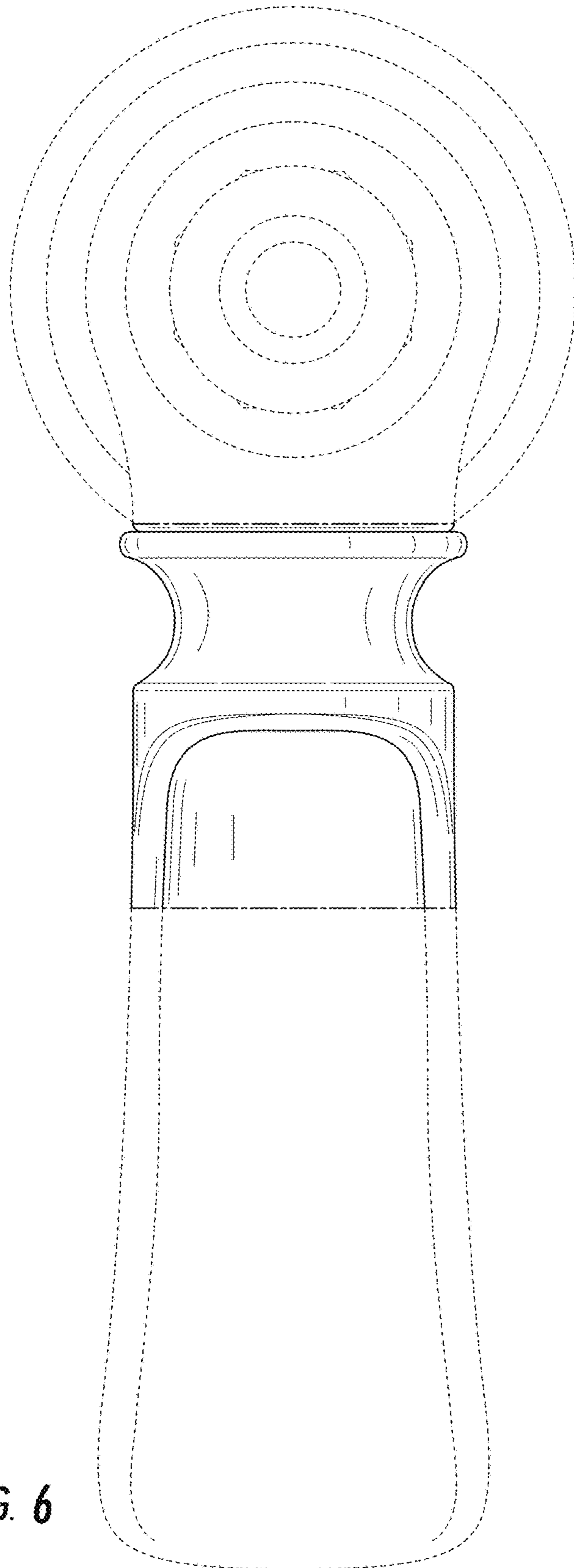


FIG. 6

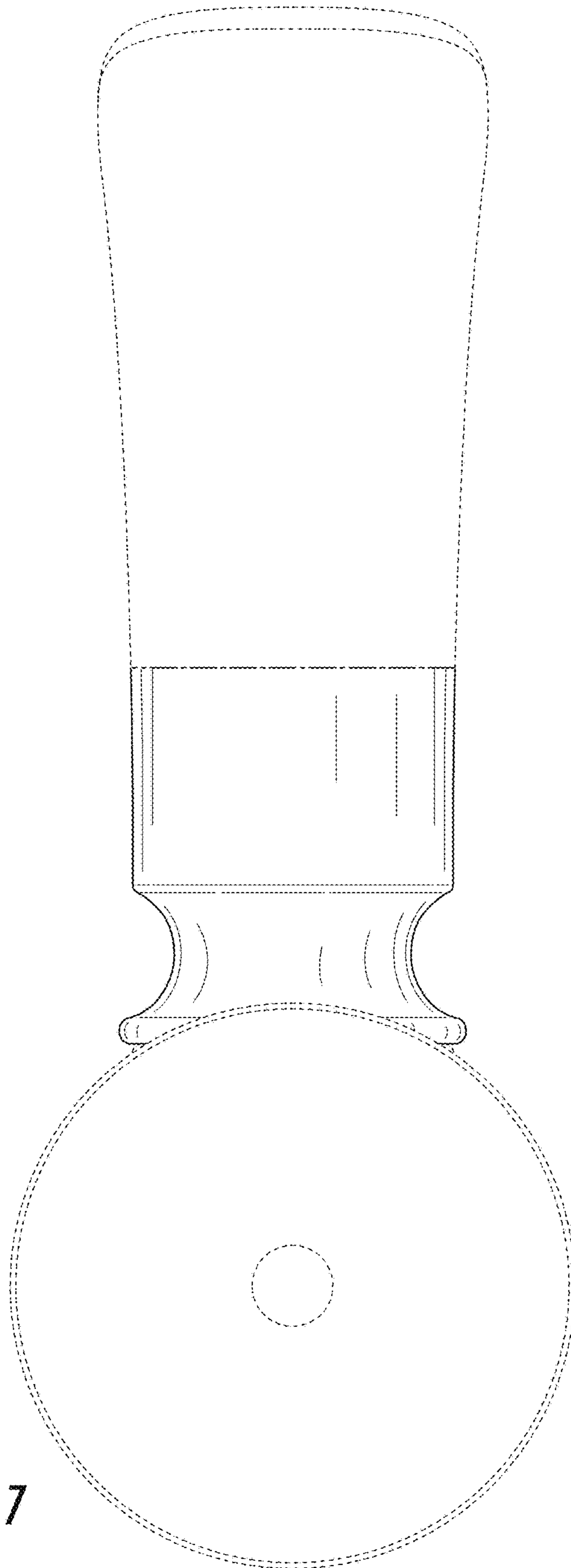


FIG. 7