

US00D842968S

(12) **United States Design Patent**  
**Tsai**

(10) **Patent No.:** **US D842,968 S**  
(45) **Date of Patent:** **\*\* Mar. 12, 2019**

(54) **SPRINKLER HOSE**  
(71) Applicant: **Fu-Te Tsai**, Kaohsiung (TW)  
(72) Inventor: **Fu-Te Tsai**, Kaohsiung (TW)  
(\*\*) Term: **15 Years**  
(21) Appl. No.: **29/617,156**  
(22) Filed: **Sep. 12, 2017**

4,254,916 A \* 3/1981 Havens ..... A01G 25/02  
138/119  
4,824,019 A \* 4/1989 Lew ..... B05B 1/20  
239/201  
D383,883 S \* 9/1997 Langley ..... D23/214  
D384,728 S \* 10/1997 Weiler ..... D15/17  
5,722,601 A \* 3/1998 DeFrank ..... A01G 25/023  
239/542  
D488,208 S \* 4/2004 Cook ..... D23/214  
6,991,181 B2 \* 1/2006 Alexander ..... A01G 25/02  
239/200

(30) **Foreign Application Priority Data**

Jun. 23, 2017 (TW) ..... 106209131  
(51) **LOC (11) Cl.** ..... **23-01**  
(52) **U.S. Cl.**  
USPC ..... **D23/214; D23/266**  
(58) **Field of Classification Search**  
USPC ..... D23/213, 214, 216, 266; 239/547-8,  
239/269, 450, 542  
CPC ..... F16L 11/04; A01G 25/02; B05B 1/20  
See application file for complete search history.

(Continued)  
*Primary Examiner* — Robin V Webster  
(74) *Attorney, Agent, or Firm* — Muncy, Geissler, Olds & Lowe, P.C.

(56) **References Cited**

**U.S. PATENT DOCUMENTS**  
2,070,665 A \* 2/1937 Lepper ..... B05B 15/625  
239/279  
2,749,180 A \* 6/1956 Andrews ..... A01G 25/02  
156/218  
2,750,232 A \* 6/1956 Szantay ..... B05B 1/20  
138/103  
2,802,530 A \* 8/1957 Kaufman ..... A01G 25/02  
264/156  
2,814,529 A \* 11/1957 Arnt ..... B05B 1/20  
138/103  
3,539,106 A \* 11/1970 Ramik ..... B05B 1/20  
239/145  
3,774,850 A \* 11/1973 Zeman ..... A01G 25/02  
239/542  
RE28,095 E \* 7/1974 Chapin ..... A01G 25/02  
138/114

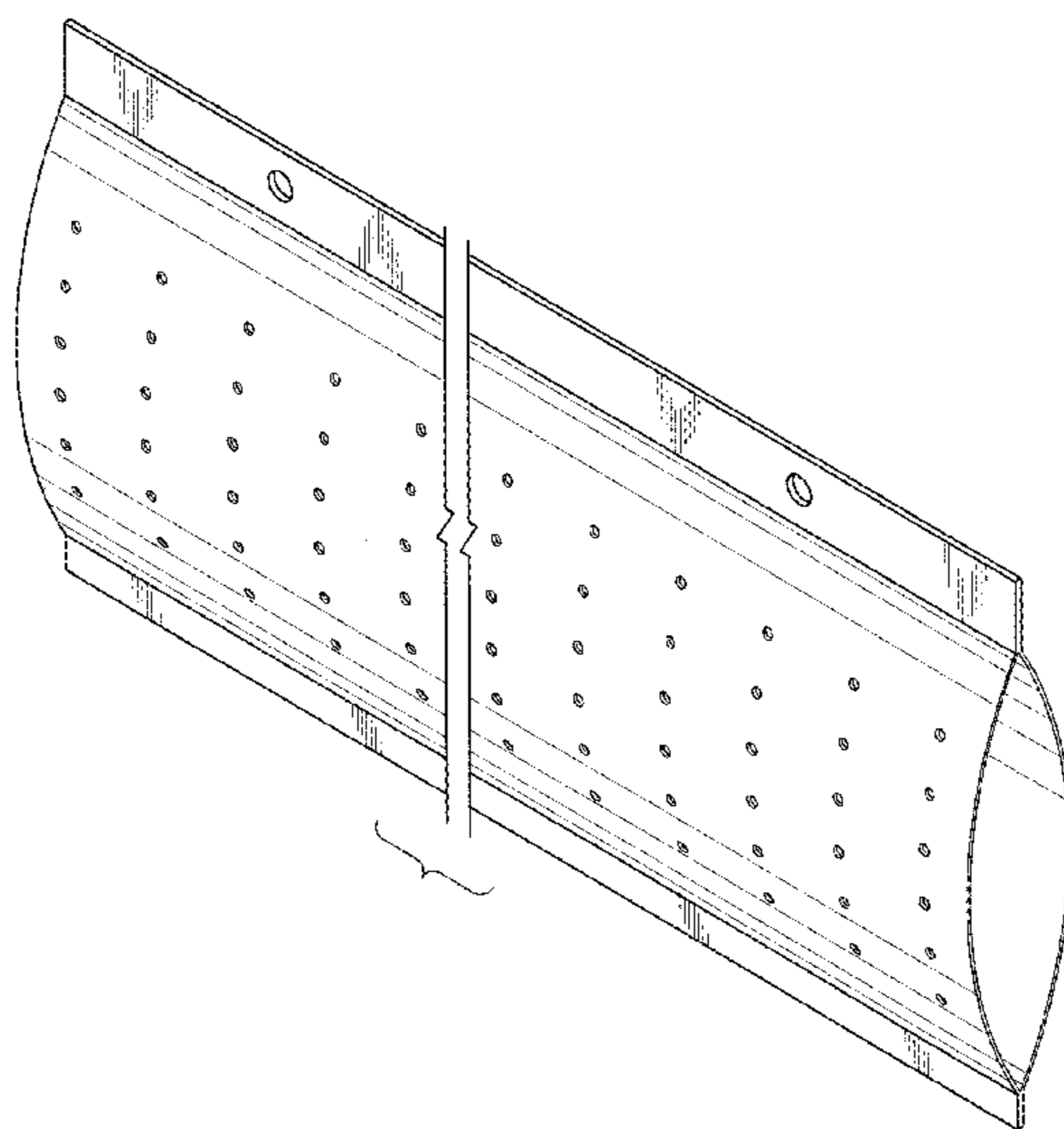
(57) **CLAIM**

The ornamental design for a sprinkler hose, as shown and described.

**DESCRIPTION**

FIG. 1 is a perspective view of the sprinkler hose showing my new design;  
FIG. 2 is a front elevational view thereof;  
FIG. 3 is a rear elevational view thereof;  
FIG. 4 is a left side elevational view thereof;  
FIG. 5 is a right side elevational view thereof;  
FIG. 6 is a top plan view thereof;  
FIG. 7 is a bottom plan view thereof; and,  
FIG. 8 is a sectional view of the sprinkler hose in a state of use with a hanger.  
Portions of the claimed design is shown with a break to indicate non-specified length. The appearance of any portion of the article between the break lines forms no part of the claimed design.  
The broken lines shown in FIG. 8 are for illustrating environmental structures only and form no part of the claimed design.

**1 Claim, 8 Drawing Sheets**



(56)

**References Cited**

U.S. PATENT DOCUMENTS

D616,963 S \* 6/2010 Wesenberg ..... D23/214  
D753,273 S \* 4/2016 Lin ..... B05B 1/20  
D23/266

\* cited by examiner

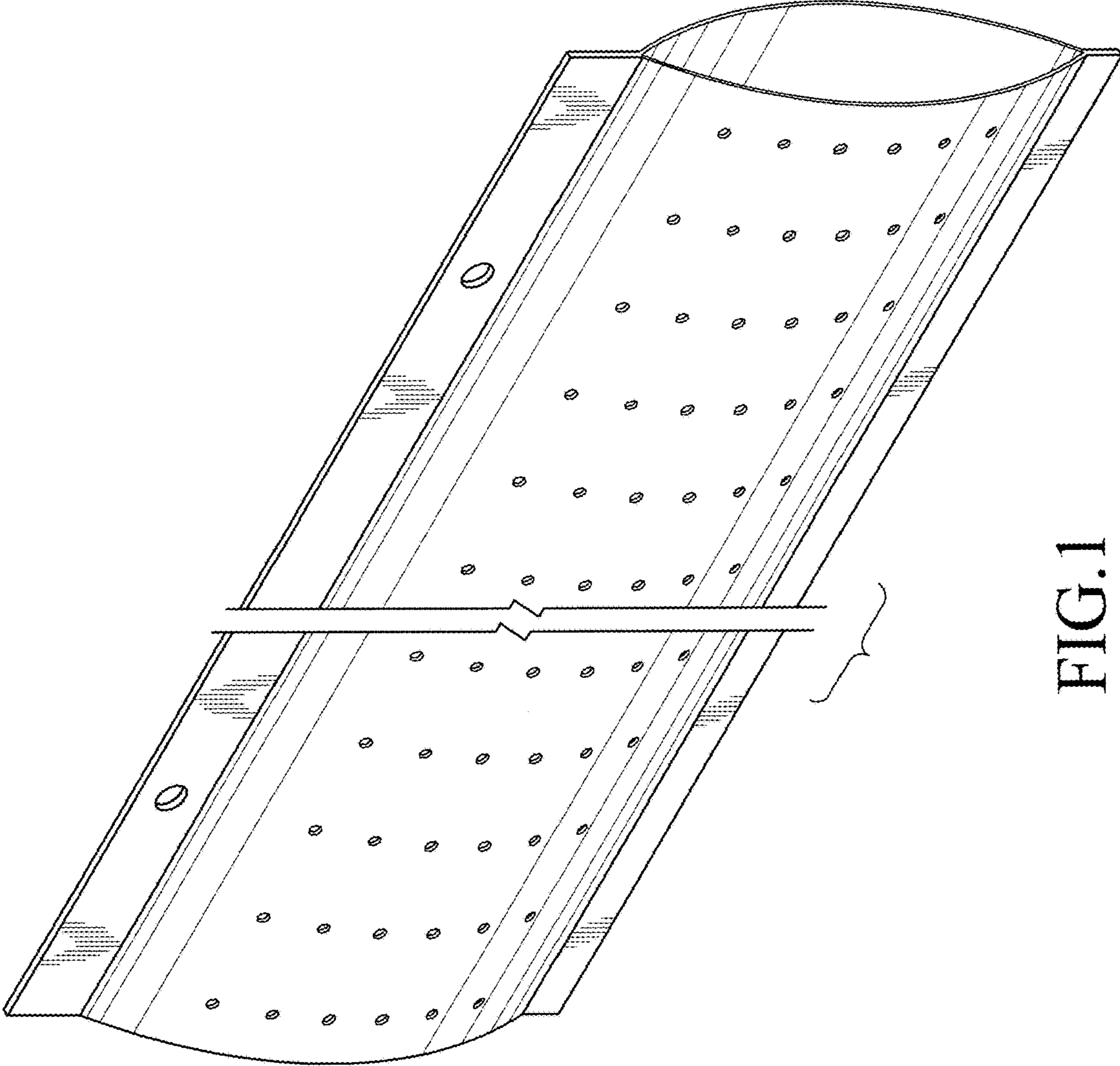


FIG.1

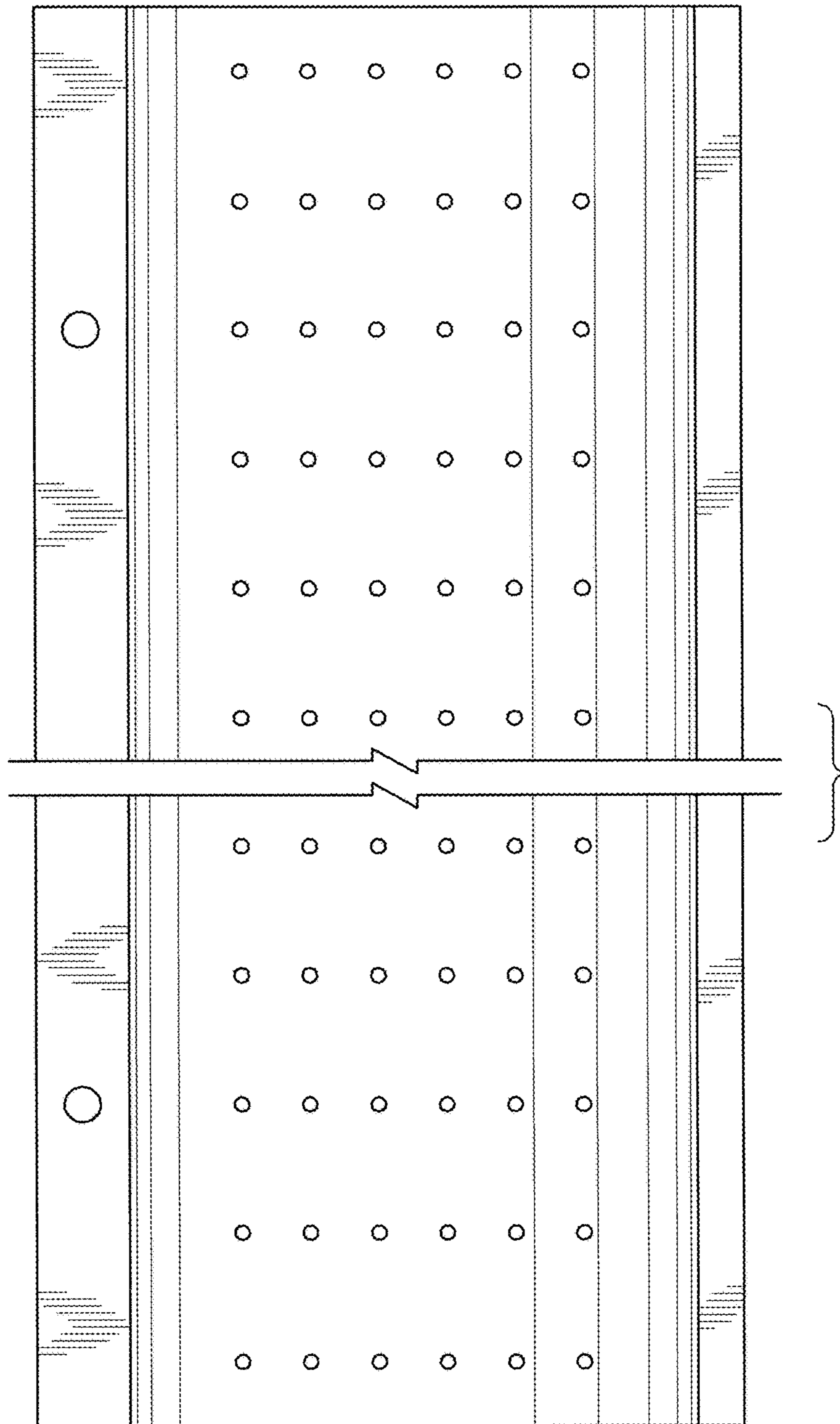


FIG.2

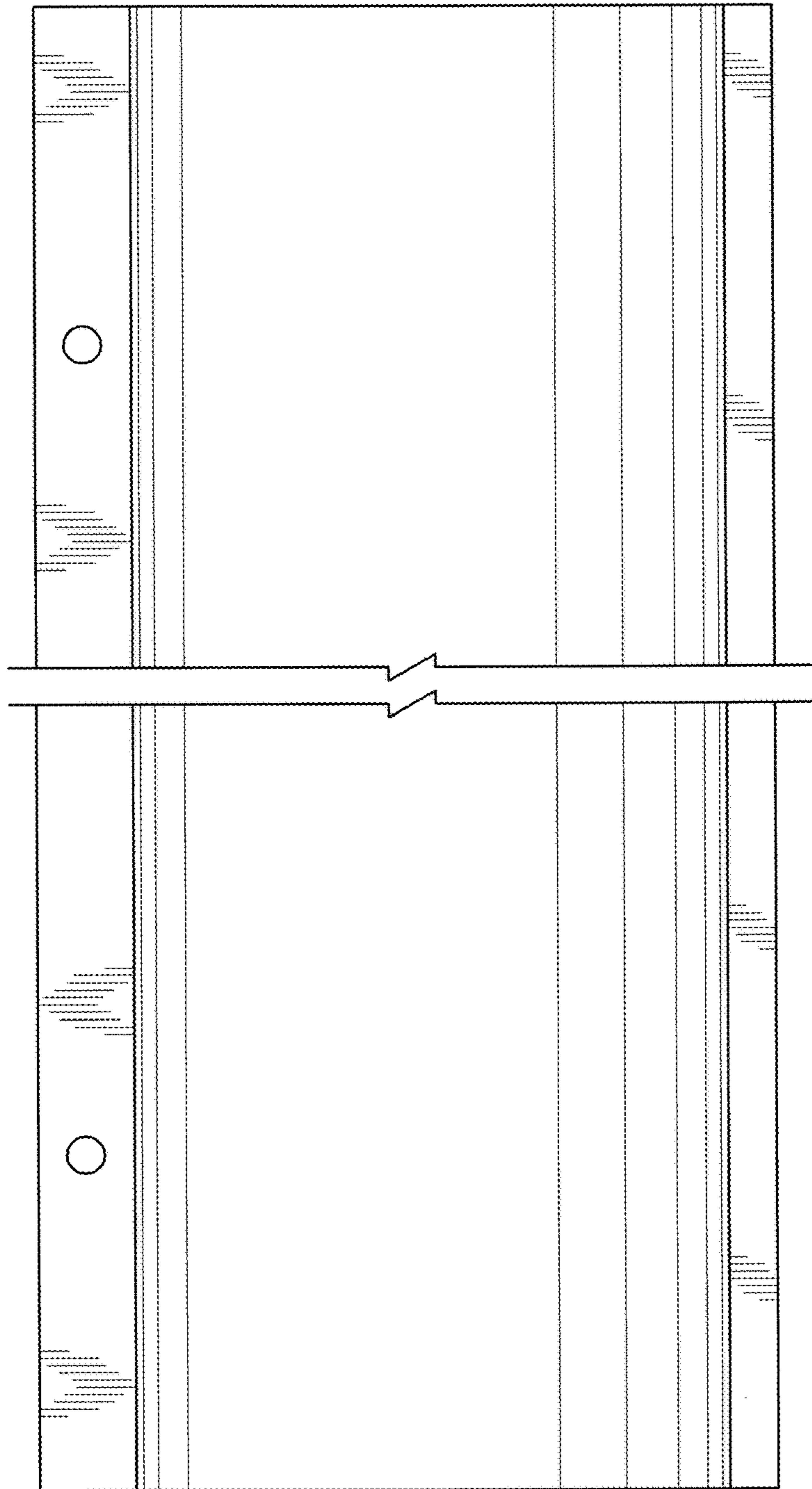


FIG.3

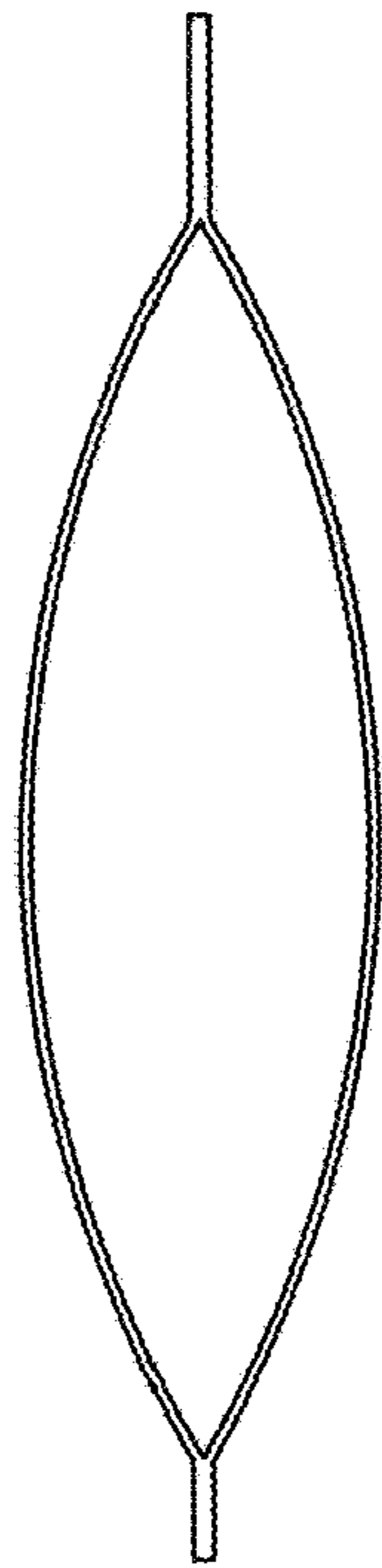


FIG.4

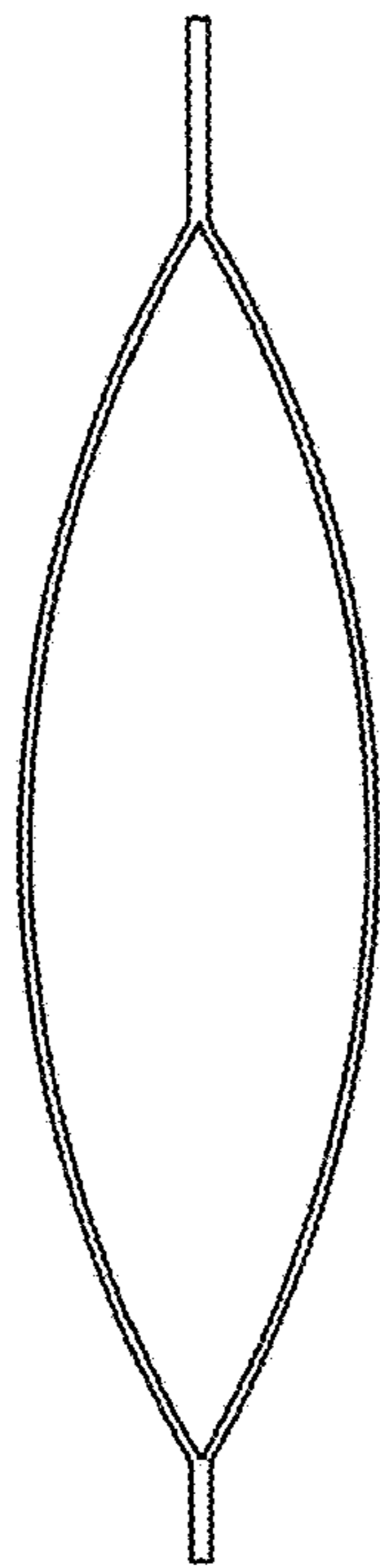


FIG.5

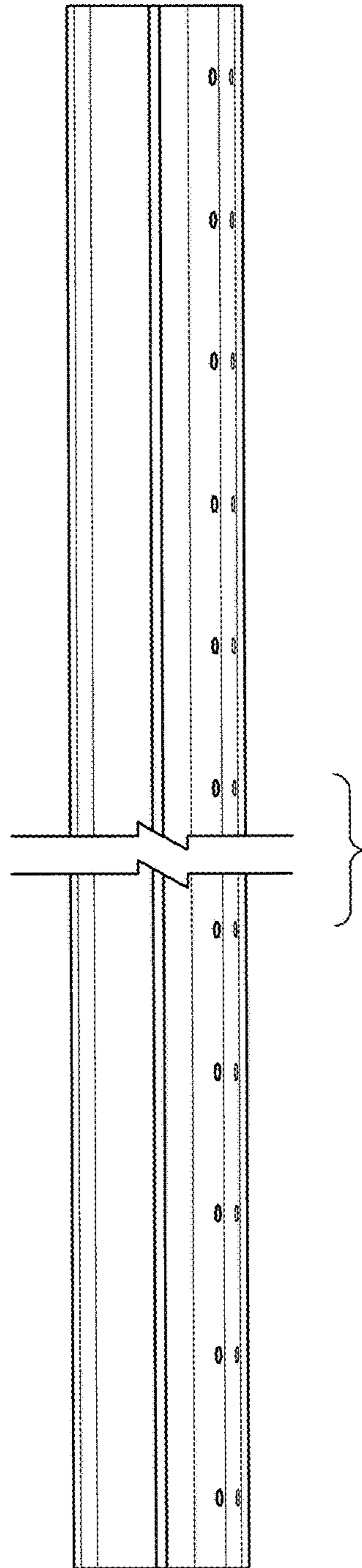


FIG.6



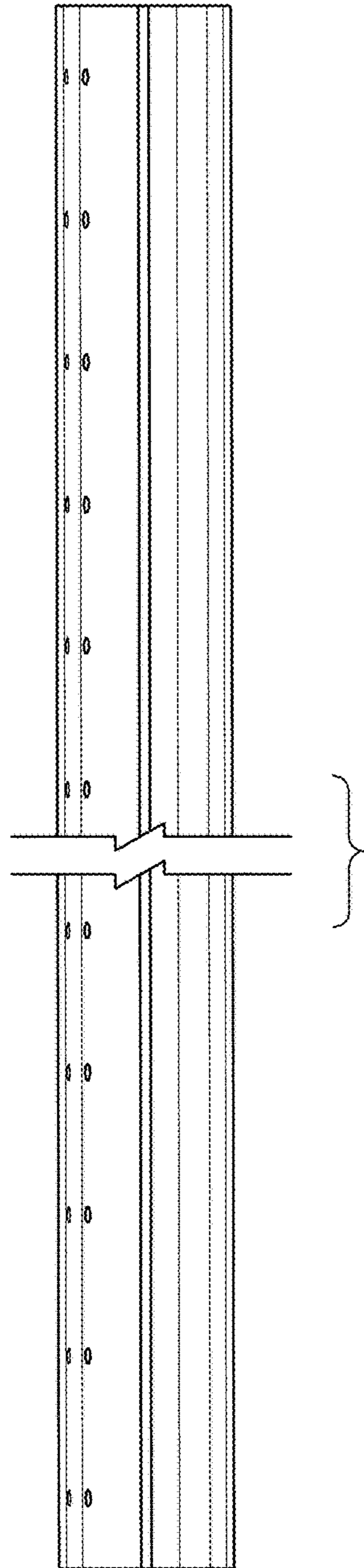


FIG. 7

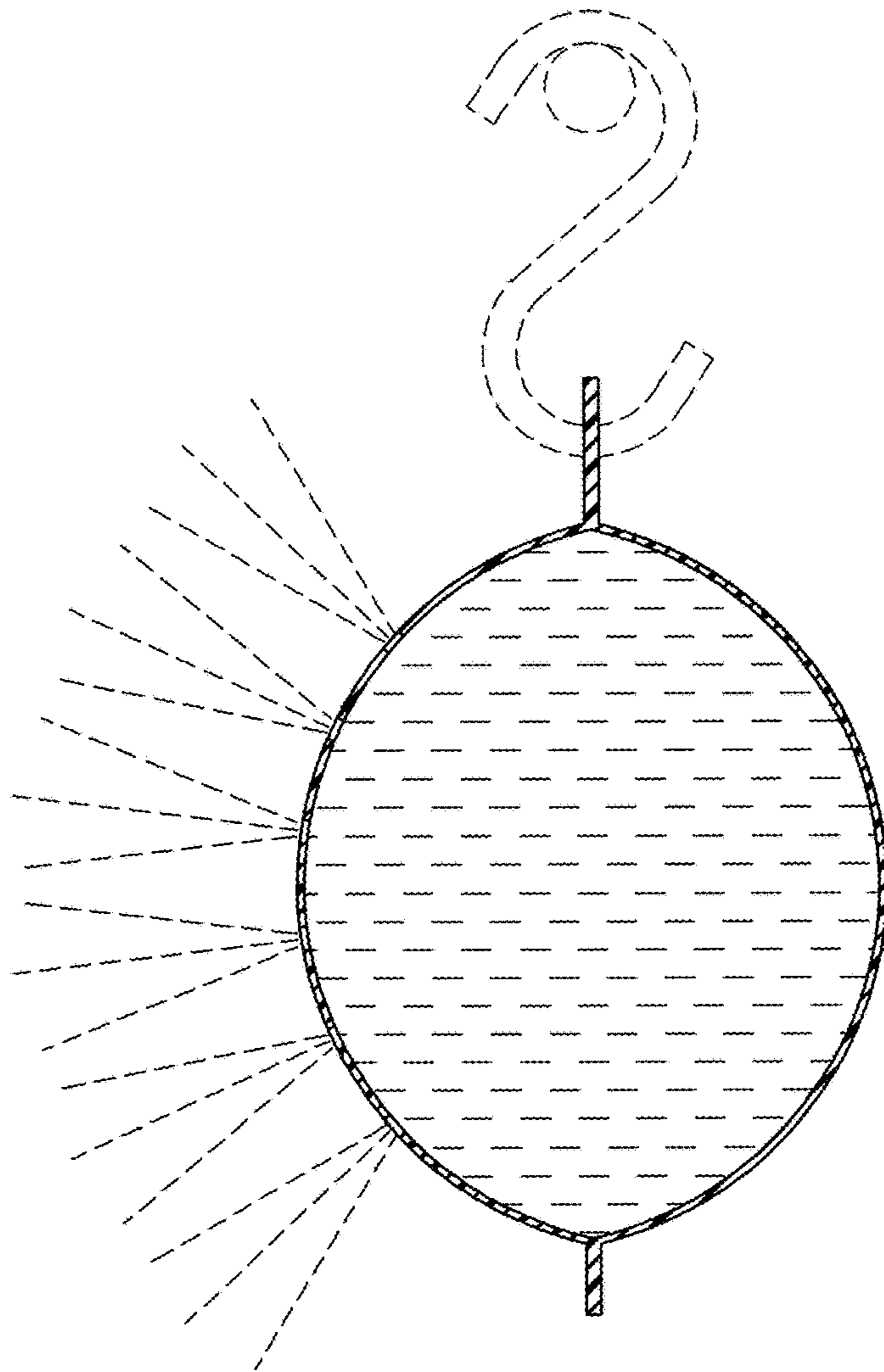


FIG.8