



US00D842967S

(12) **United States Design Patent**  
**Farley**

(10) **Patent No.:** **US D842,967 S**  
(45) **Date of Patent:** **\*\* Mar. 12, 2019**

(54) **SHOWER OUTPUT FACE**

(71) Applicant: **David K. Farley**, Corona, CA (US)

(72) Inventor: **David K. Farley**, Corona, CA (US)

(\*\*) Term: **15 Years**

(21) Appl. No.: **29/630,615**

(22) Filed: **Dec. 21, 2017**

(51) **LOC (11) Cl.** ..... **23-01**

(52) **U.S. Cl.**  
USPC ..... **D23/213**

(58) **Field of Classification Search**  
USPC ..... D23/213, 223, 226, 229, 230  
CPC ..... A61H 9/0021; A61H 33/00; B05B 1/00;  
B05B 1/14; B05B 1/185; B05B 1/08;  
B05B 1/02; B05B 1/26; B05B 12/002;  
B05B 1/18

See application file for complete search history.

(56) **References Cited**

**U.S. PATENT DOCUMENTS**

D361,622 S	8/1995	Farley	
5,476,225 A *	12/1995	Chan	B05B 1/1636 239/449
D366,095 S	1/1996	Farley	
5,690,282 A *	11/1997	Guo	B05B 1/1636 239/395
D406,874 S	3/1999	Farley	
D409,718 S	5/1999	Farley	
5,914,043 A	6/1999	Farley	
6,016,977 A	1/2000	Farley	
6,056,875 A	5/2000	Farley	
D432,627 S *	10/2000	Tse	D23/223
6,187,187 B1	2/2001	Farley	
D444,536 S	7/2001	Farley	
6,270,023 B1	8/2001	Farley	
6,325,930 B2	12/2001	Farley	
D462,108 S	8/2002	Farley	
D463,844 S	10/2002	Farley	
6,537,455 B2	3/2003	Farley	

D483,438 S	12/2003	Farley	
RE39,142 E	6/2006	Farley	
7,097,122 B1	8/2006	Farley	
D530,391 S *	10/2006	Tse	D23/223
D564,621 S *	3/2008	Lammel	D23/223
D581,014 S *	11/2008	Quinn	D23/223
7,866,576 B1	1/2011	Farley	

(Continued)

**FOREIGN PATENT DOCUMENTS**

EP 1106259 8/2006

*Primary Examiner* — Robin V Webster

(74) *Attorney, Agent, or Firm* — Stetina Brunda Garred and Brucker; Mark B. Garred

(57) **CLAIM**

The ornamental design for a shower output face, as shown and described.

**DESCRIPTION**

FIG. 1 is a front perspective view of the invention, as applied to a shower wand;

FIG. 2 is a top view of the invention as applied to a shower wand;

FIG. 3 is a left side view of the invention as applied to a shower wand;

FIG. 4 is a front view of the invention;

FIG. 5 is a rear view of the invention;

FIG. 6 is a top view of the invention;

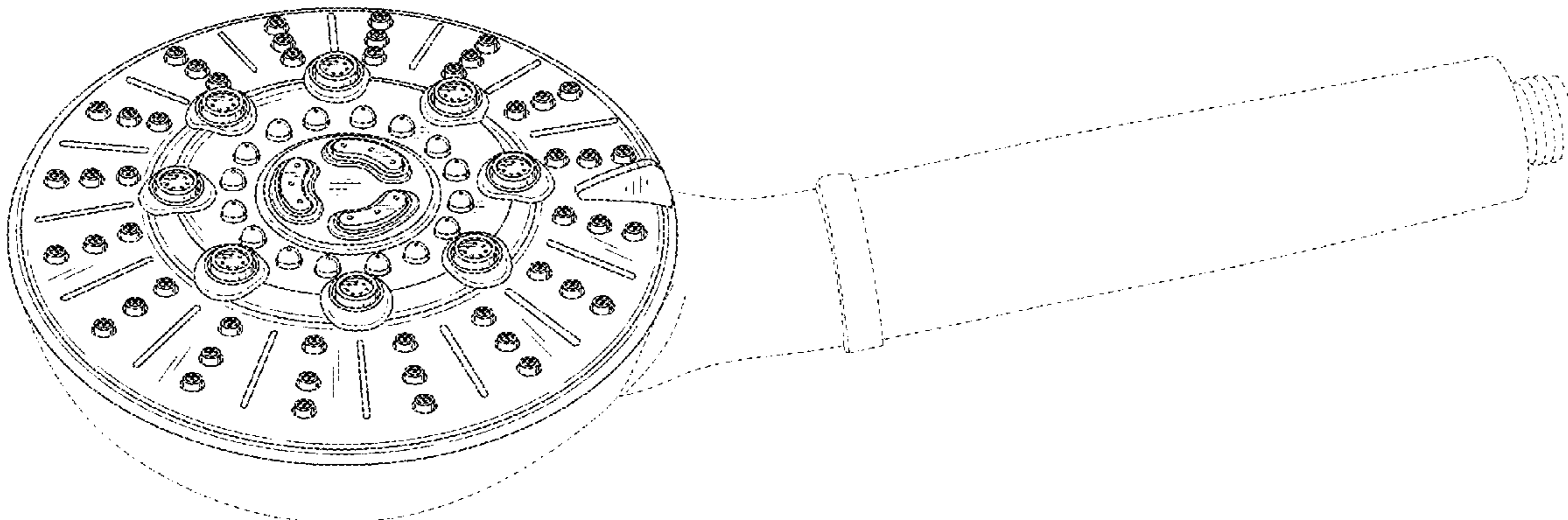
FIG. 7 is a front view of the invention as applied to a showerhead;

FIG. 8 is a right side view of the invention as applied to a showerhead; and,

FIG. 9 is a left side view of the invention as applied to a showerhead.

The broken line showing of environment in FIGS. 1-9 is included for the purpose of illustrating and forms no part of the claimed design.

**1 Claim, 5 Drawing Sheets**



(56)

**References Cited**

## U.S. PATENT DOCUMENTS

D638,099	S	5/2011	Farley	
D638,514	S	5/2011	Farley	
D638,515	S	5/2011	Farley	
D652,106	S *	1/2012	Yoo .....	D23/213
D659,796	S	5/2012	Farley	
D659,797	S	5/2012	Farley	
D665,474	S	8/2012	Farley	
D665,478	S	8/2012	Farley	
D666,010	S	8/2012	Farley	
D667,925	S	9/2012	Farley	
D667,926	S	9/2012	Farley	
D668,743	S *	10/2012	Kennedy .....	D23/213
D680,619	S *	4/2013	Zhadanov .....	D23/223
D681,776	S *	5/2013	Cutler .....	D23/223
D744,065	S *	11/2015	Peterson .....	D23/223
D744,611	S *	12/2015	Quinn .....	D23/223
D755,346	S *	5/2016	Yan .....	D23/223
9,404,243	B2 *	8/2016	Cacka .....	B05B 1/1654
D779,039	S *	2/2017	Hanna .....	D23/223
9,764,339	B2 *	9/2017	Yu .....	B05B 1/18
2012/0031511	A1	2/2012	Farley	
2013/0319929	A1	12/2013	Farley	

\* cited by examiner

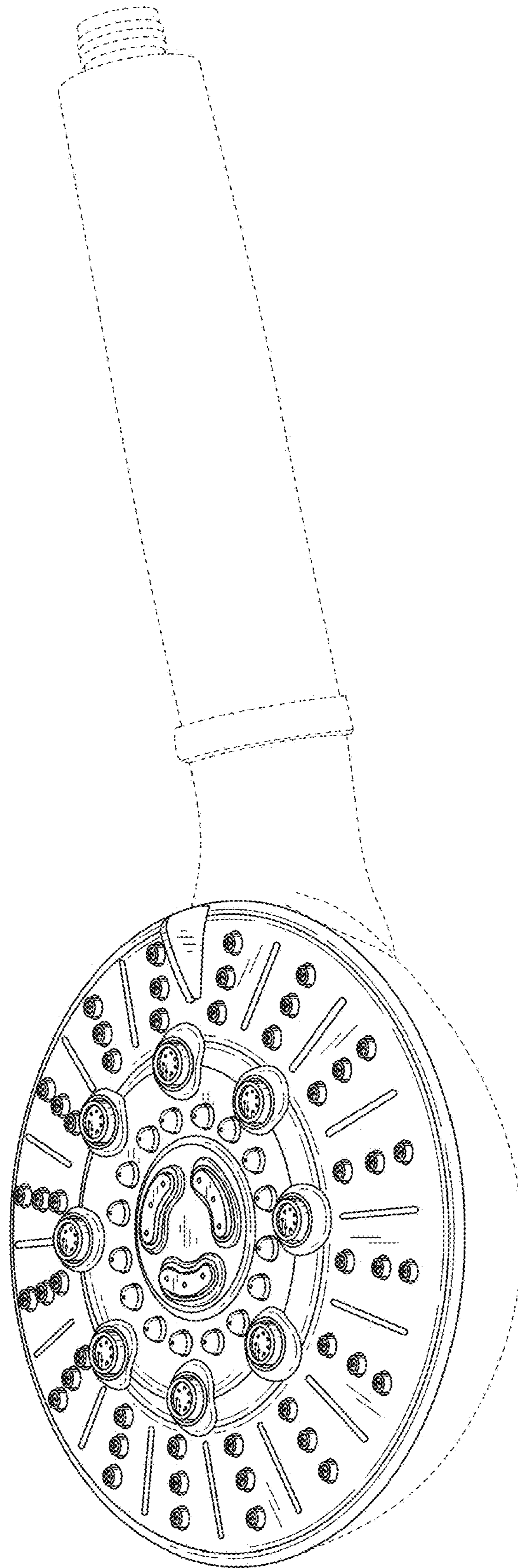


FIG. 1



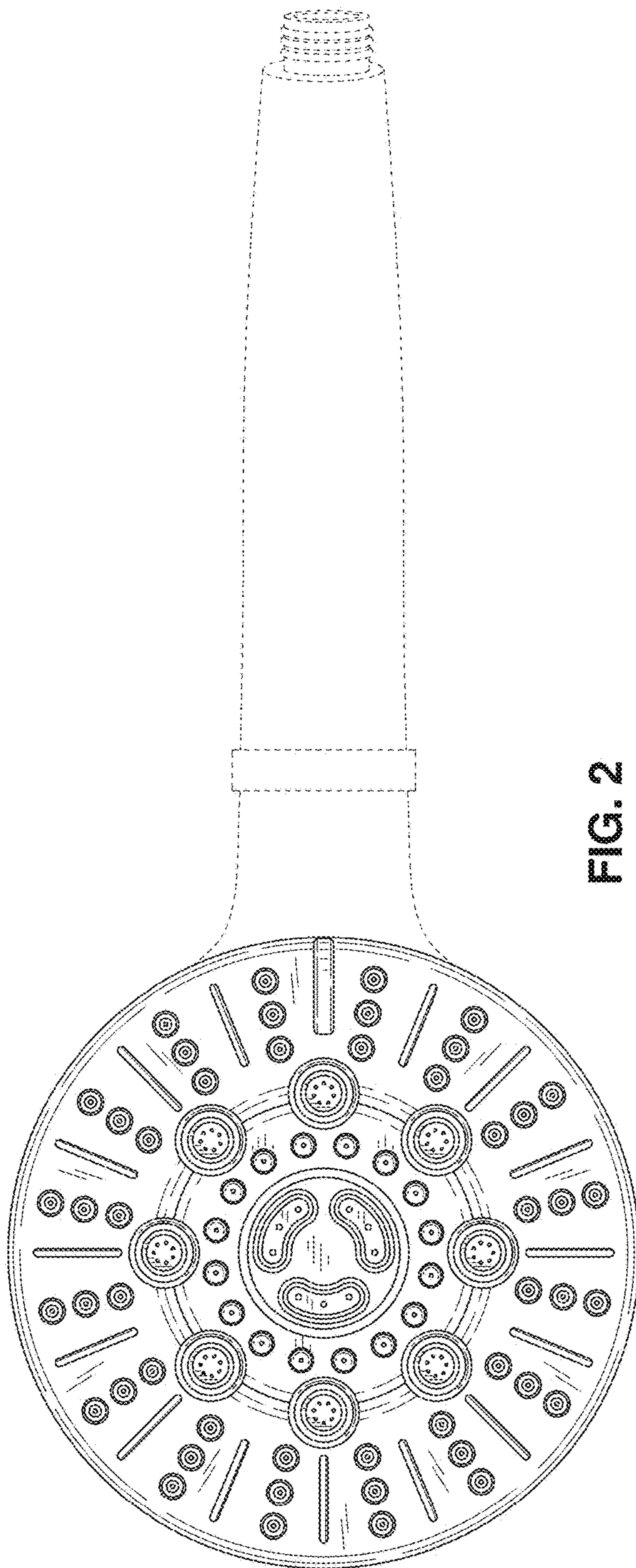


FIG. 2

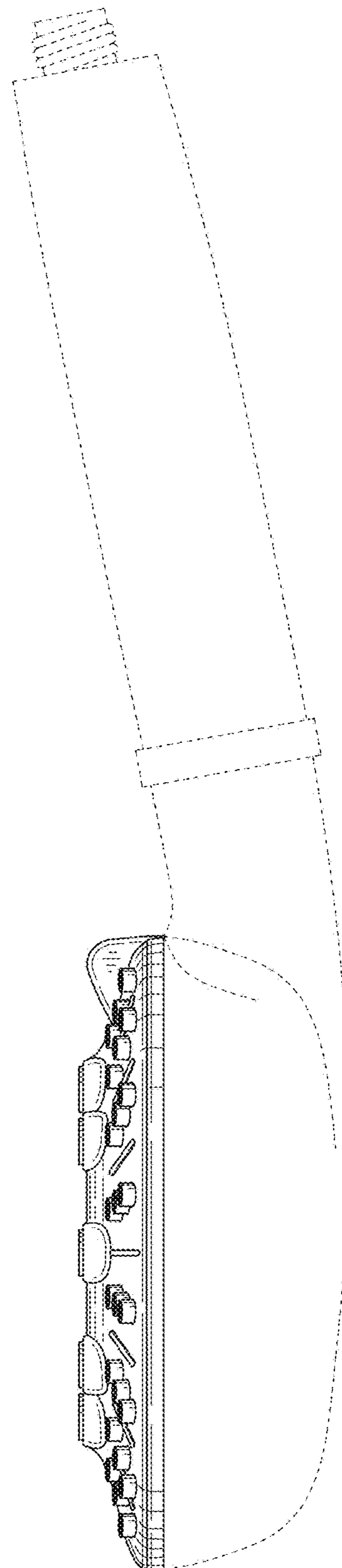


FIG. 3

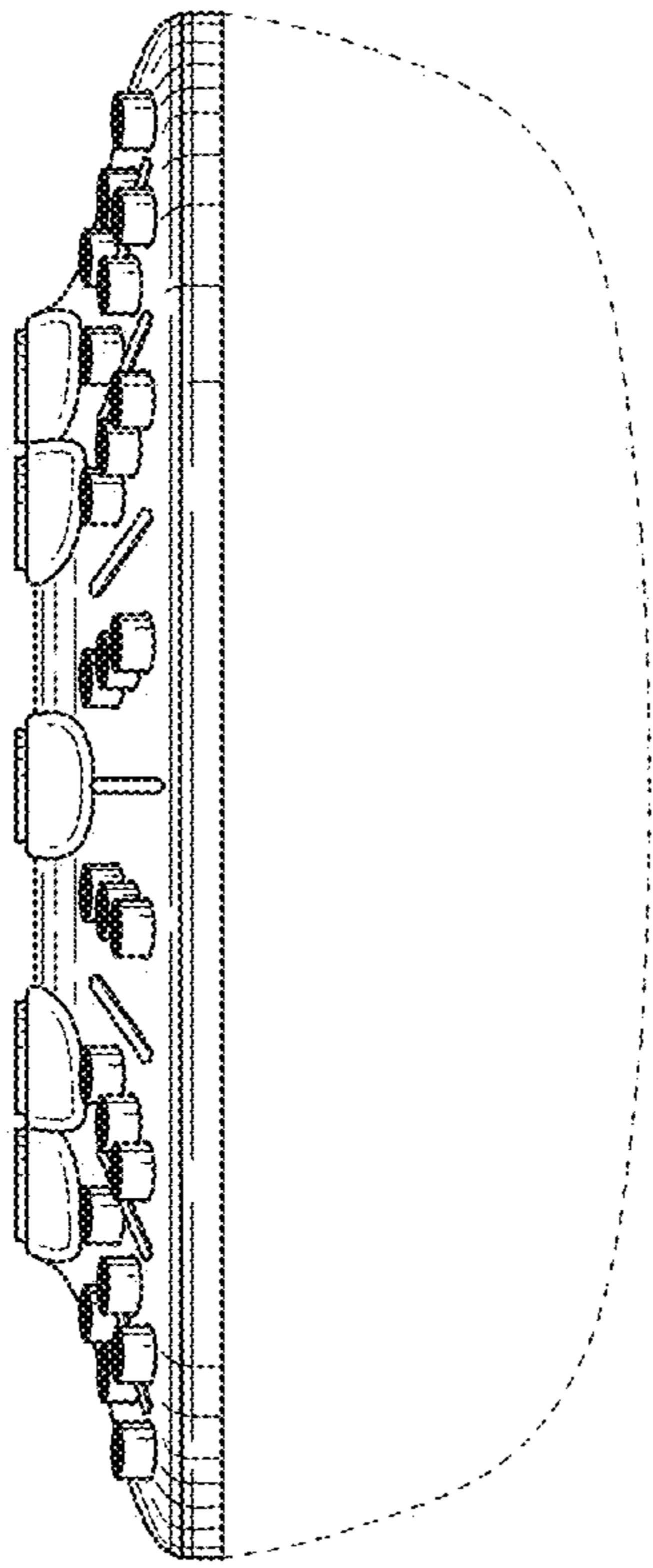


FIG. 4

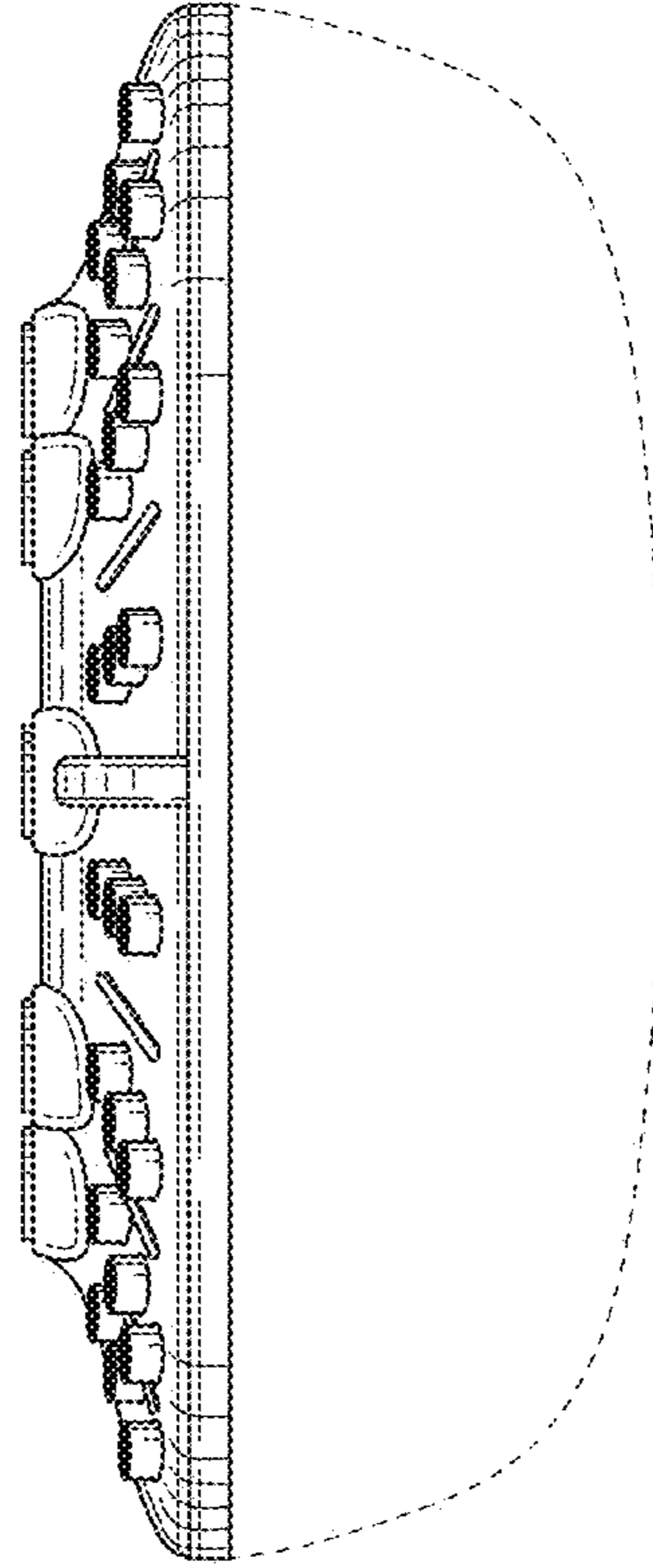


FIG. 5

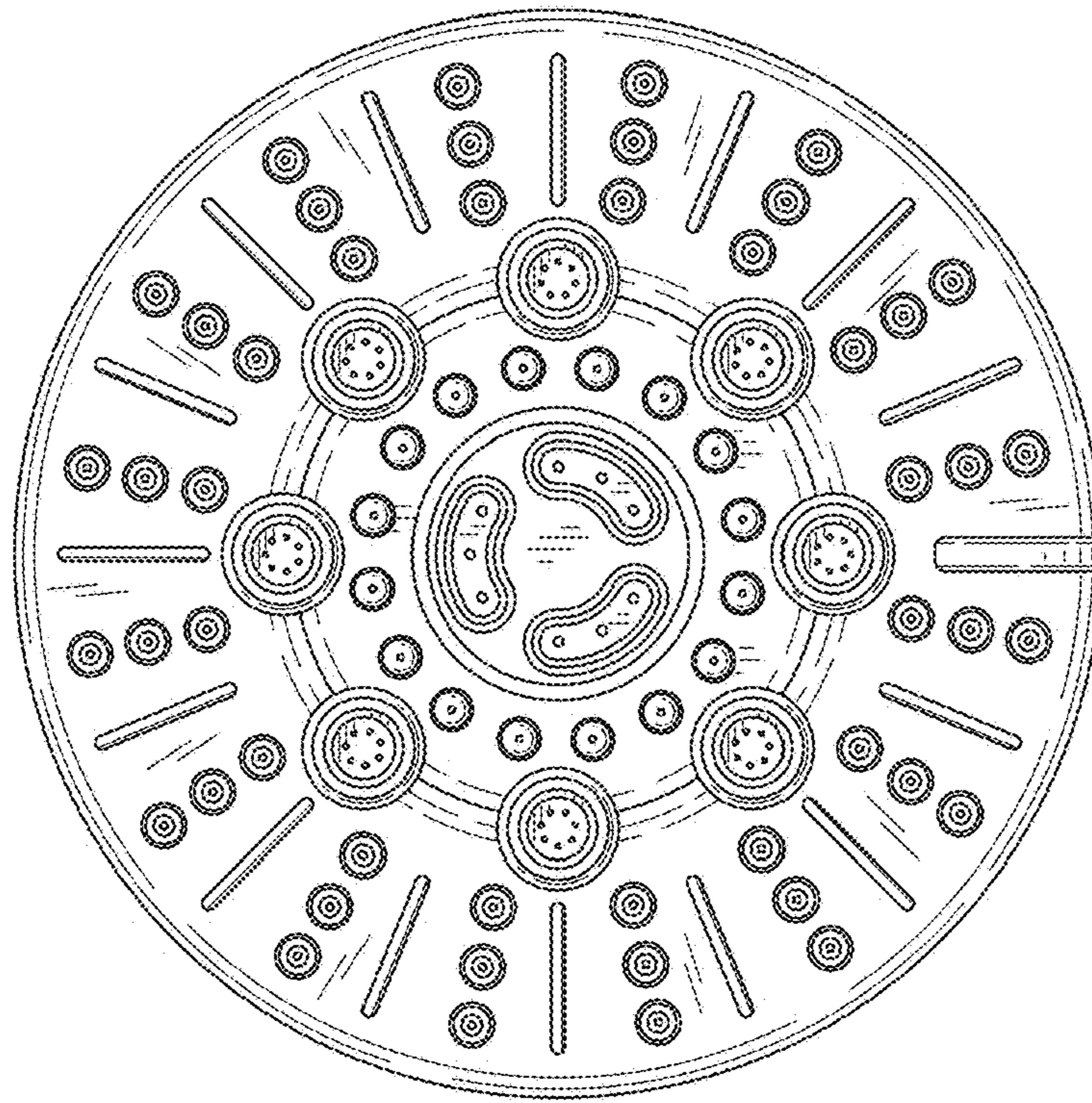


FIG. 6

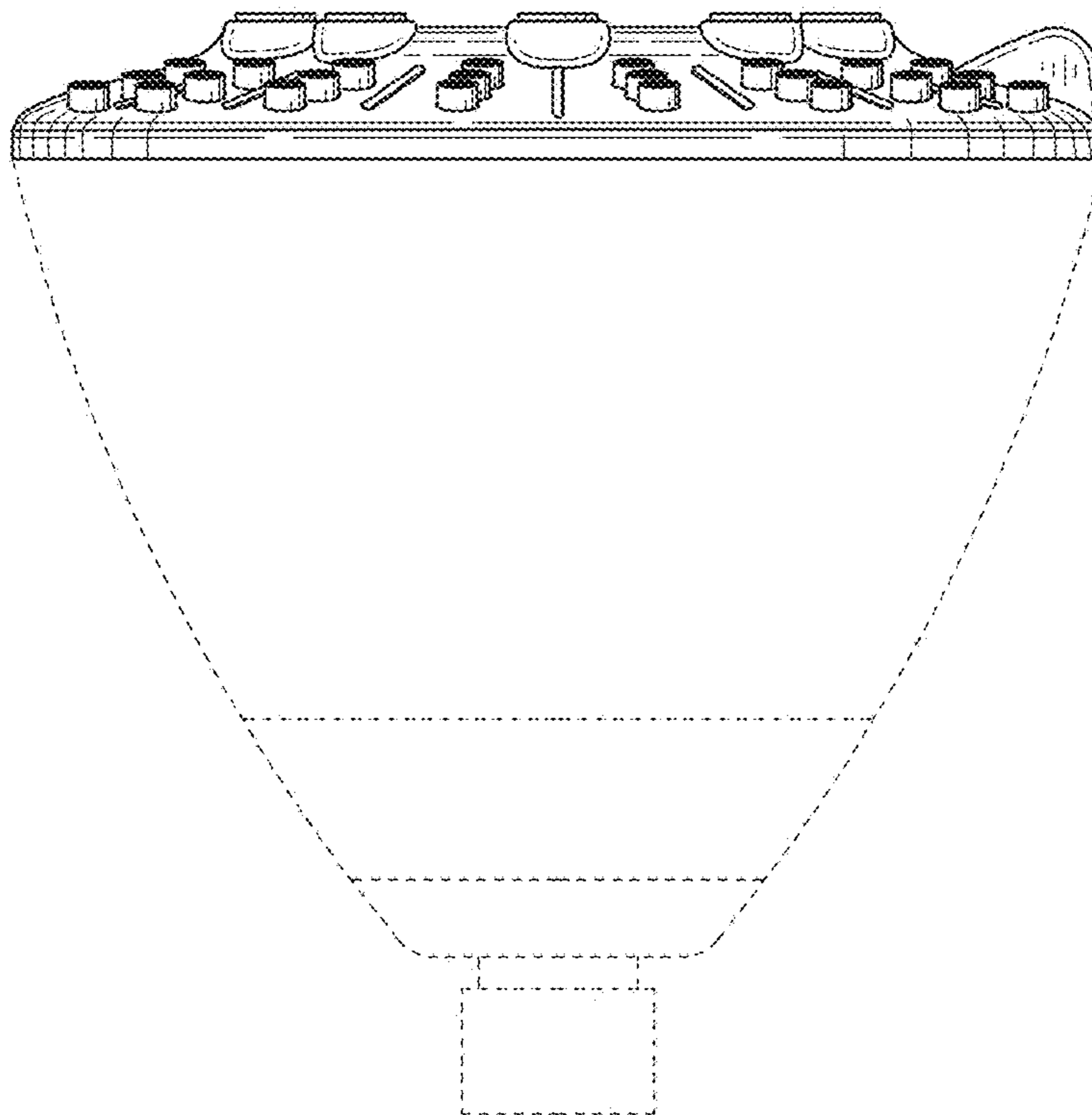


FIG. 7



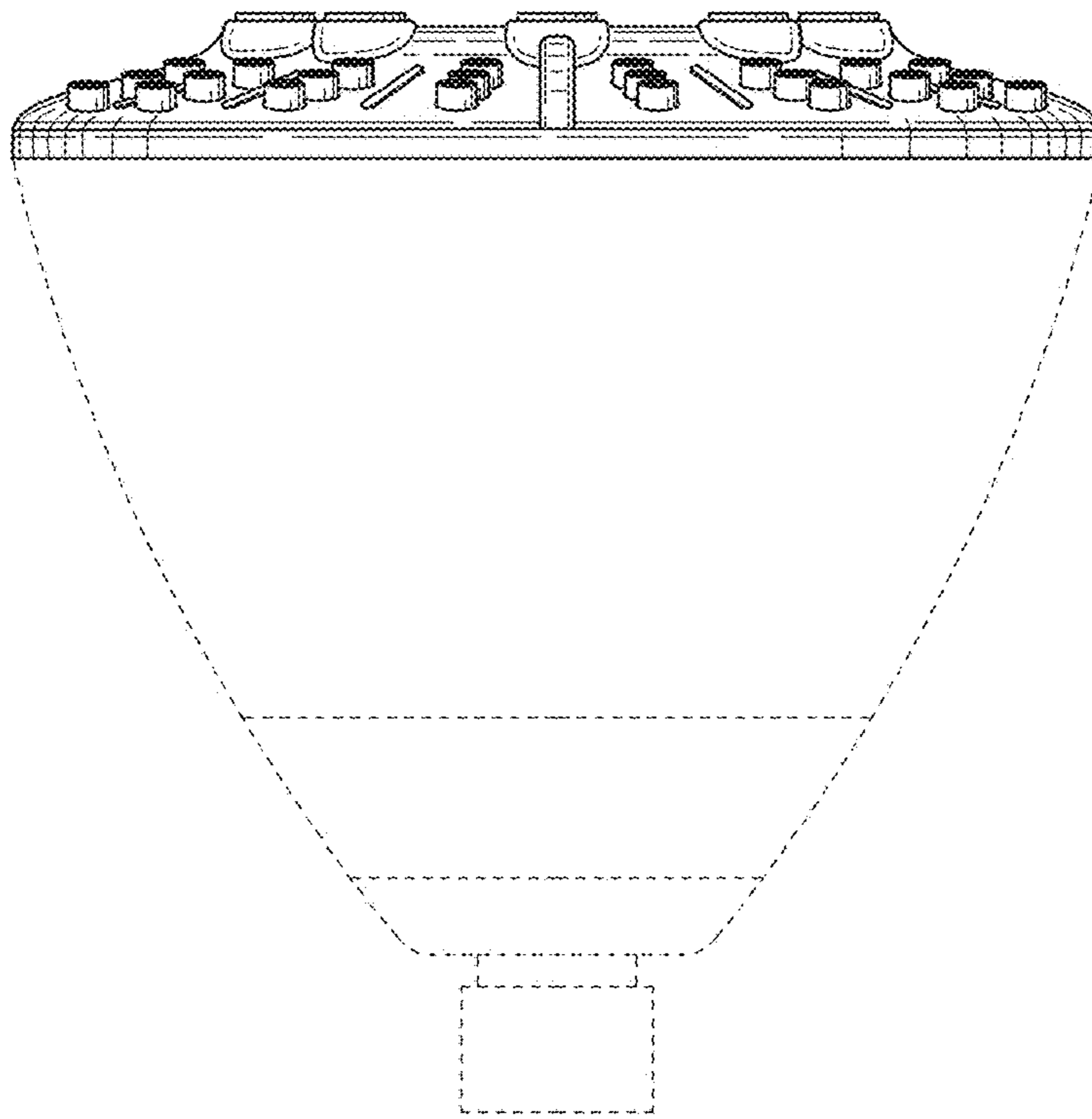


FIG. 8

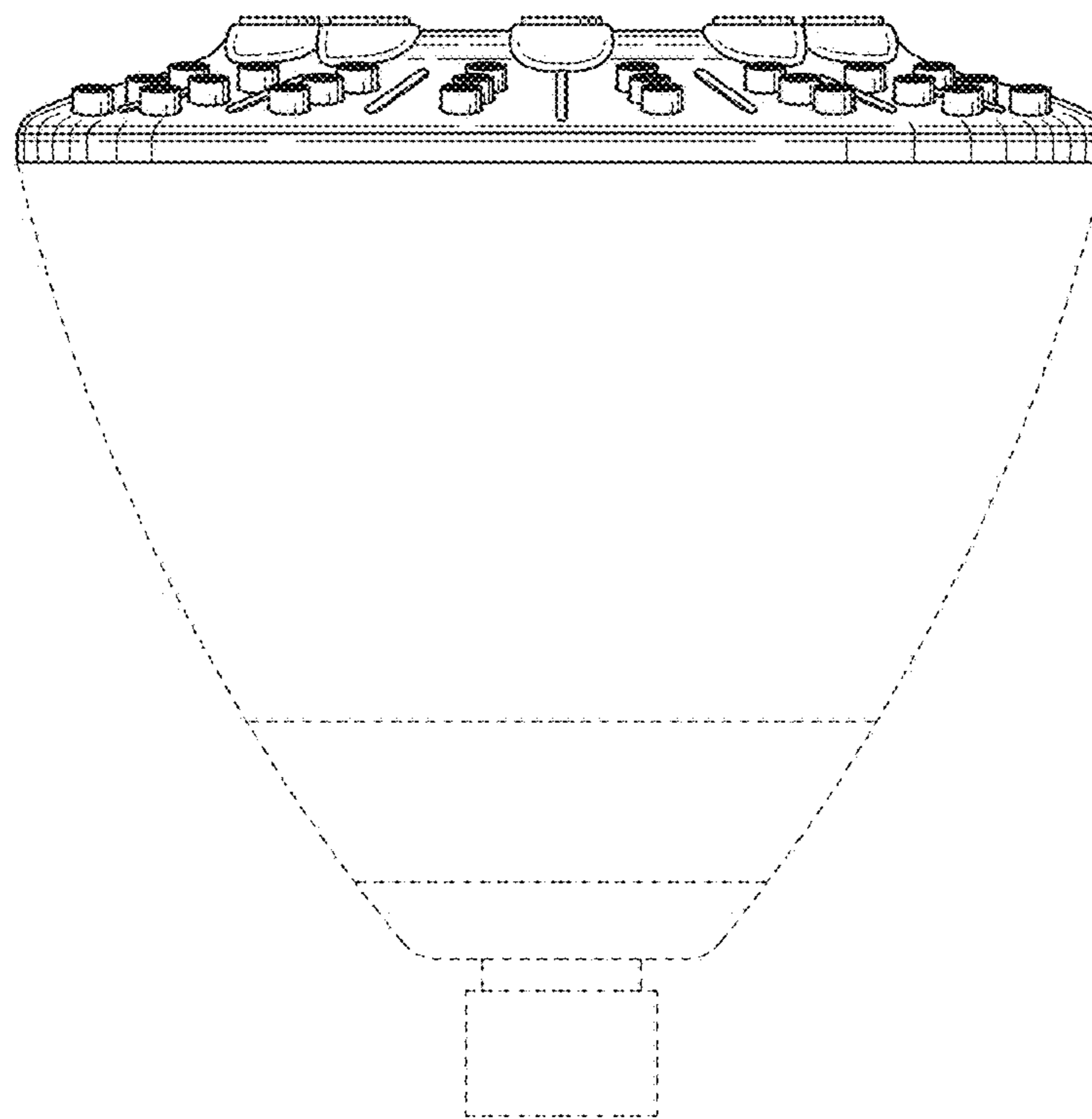


FIG. 9