



US00D842966S

(12) **United States Design Patent**
Shin

(10) **Patent No.:** **US D842,966 S**
(45) **Date of Patent:** **** Mar. 12, 2019**

- (54) **WATER PURIFIER**
- (71) Applicant: **Coway Co., Ltd.**, Gongju-si (KR)
- (72) Inventor: **Karam Shin**, Seoul (KR)
- (73) Assignee: **Coway Co., Ltd.**, Gongju-si (KR)
- (**) Term: **15 Years**
- (21) Appl. No.: **29/630,292**
- (22) Filed: **Dec. 20, 2017**

(30) **Foreign Application Priority Data**

Jun. 21, 2017 (KR) 30-2017-0028581

- (51) **LOC (11) Cl.** **23-01**
- (52) **U.S. Cl.**
USPC **D23/207; D7/306**
- (58) **Field of Classification Search**
USPC D23/200, 207, 209; 210/497.01; D7/306
CPC B01D 35/30; B01D 35/153; B01D 35/306;
B01D 2201/30; B01D 2201/29; B01D
24/10; B01D 36/02; B01D 29/035; B01D
29/0009; C02F 1/002; C02F 1/003
See application file for complete search history.

(56) **References Cited**

U.S. PATENT DOCUMENTS

- D325,767 S * 4/1992 Ostlund B67D 1/0014
D23/207
- D486,880 S * 2/2004 Gracias D23/207
- D570,636 S * 6/2008 Kulujian D7/306
- D674,231 S * 1/2013 Wilder D7/306

- D697,356 S * 1/2014 Choi D23/207
- D718,413 S * 11/2014 Choi D23/207
- D718,414 S * 11/2014 Lo D23/207
- D769,407 S * 10/2016 Lee B67D 1/0014
D23/207
- D777,498 S * 1/2017 Bandixen D7/306
- D788,877 S * 6/2017 Yoon D23/207
- 9,856,126 B2 * 1/2018 Jeon B67D 1/0014
- D816,797 S * 5/2018 Lim D23/207
- D822,154 S * 7/2018 Lee D23/207
- D823,628 S * 7/2018 Steiner D7/309
- D825,243 S * 8/2018 Yoon D7/308
- D830,754 S * 10/2018 Cahen D7/306

* cited by examiner

Primary Examiner — Robin V Webster

(74) *Attorney, Agent, or Firm* — Pearl Cohen Zedek
Latzter Baratz LLP

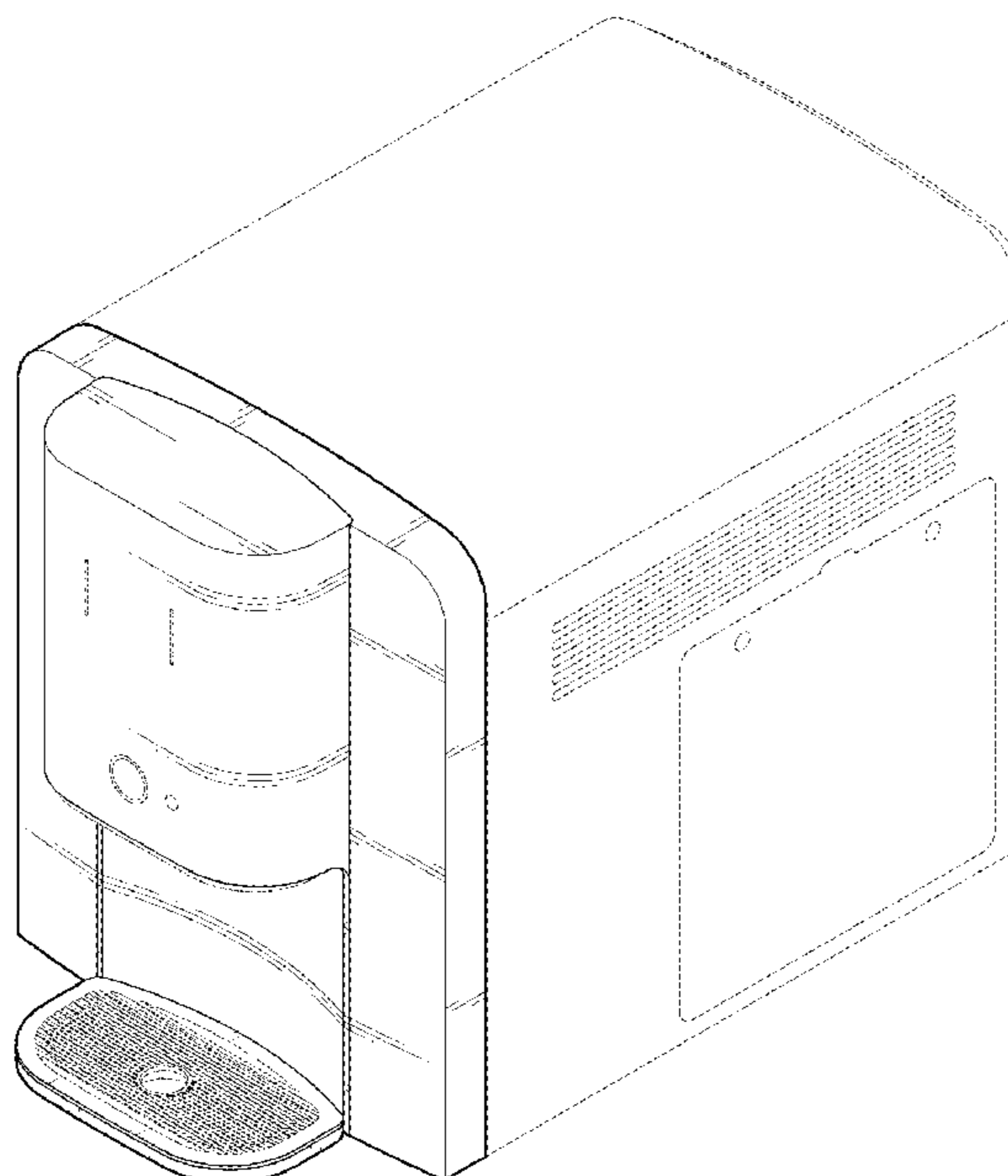
(57) **CLAIM**

The ornamental design for a water purifier, as shown and described.

DESCRIPTION

FIG. 1 is a top, front, right side perspective view of the water purifier;
 FIG. 2 is a front elevational view thereof
 FIG. 3 is a back elevational view thereof;
 FIG. 4 is a left side elevational view thereof;
 FIG. 5 is a right side elevational view thereof;
 FIG. 6 is a top plan view thereof; and,
 FIG. 7 is a bottom plan view thereof.
 The broken lines in the figures show portions of the water purifier that form no part of the claimed design.

1 Claim, 7 Drawing Sheets



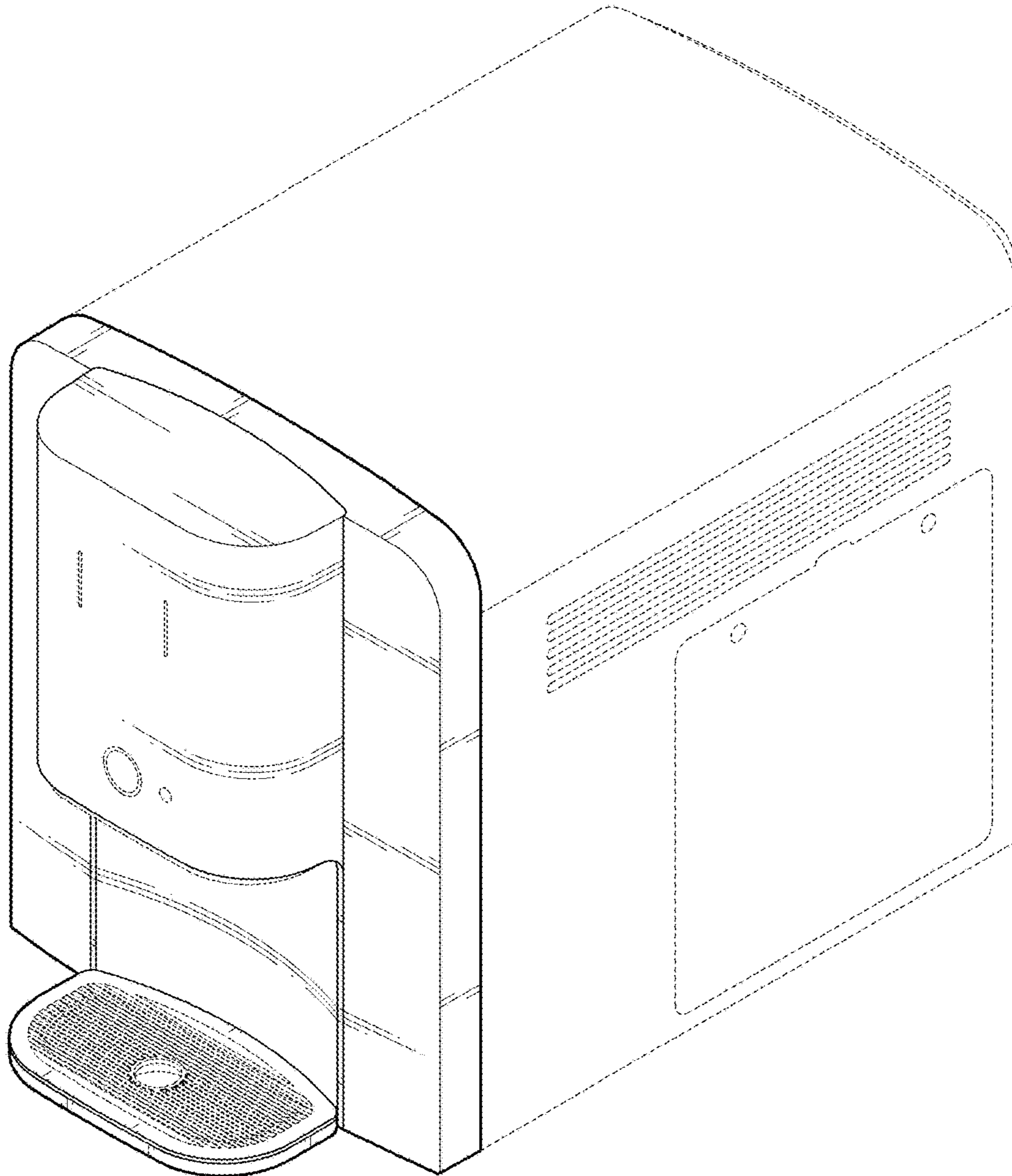


FIG. 1

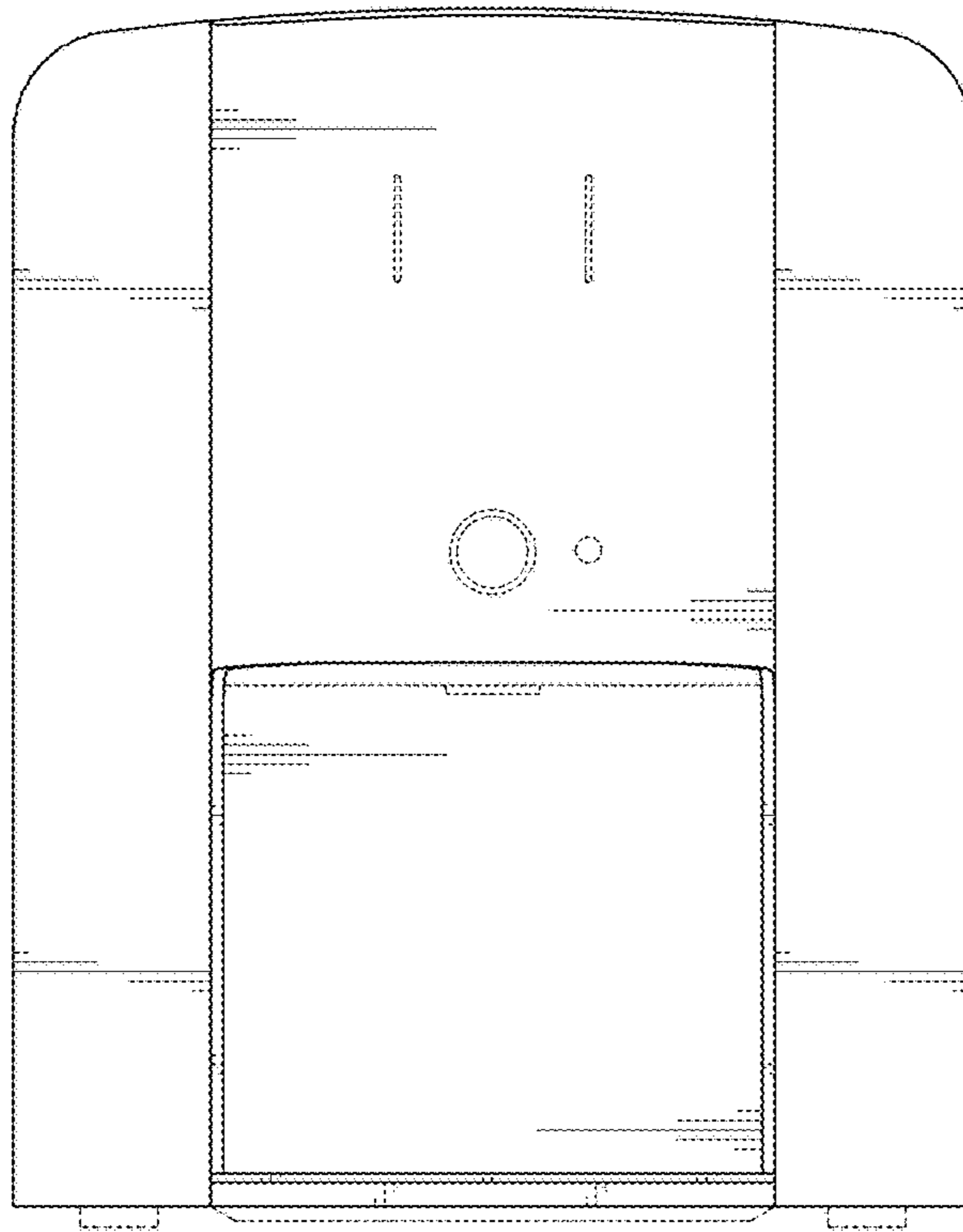


FIG. 2

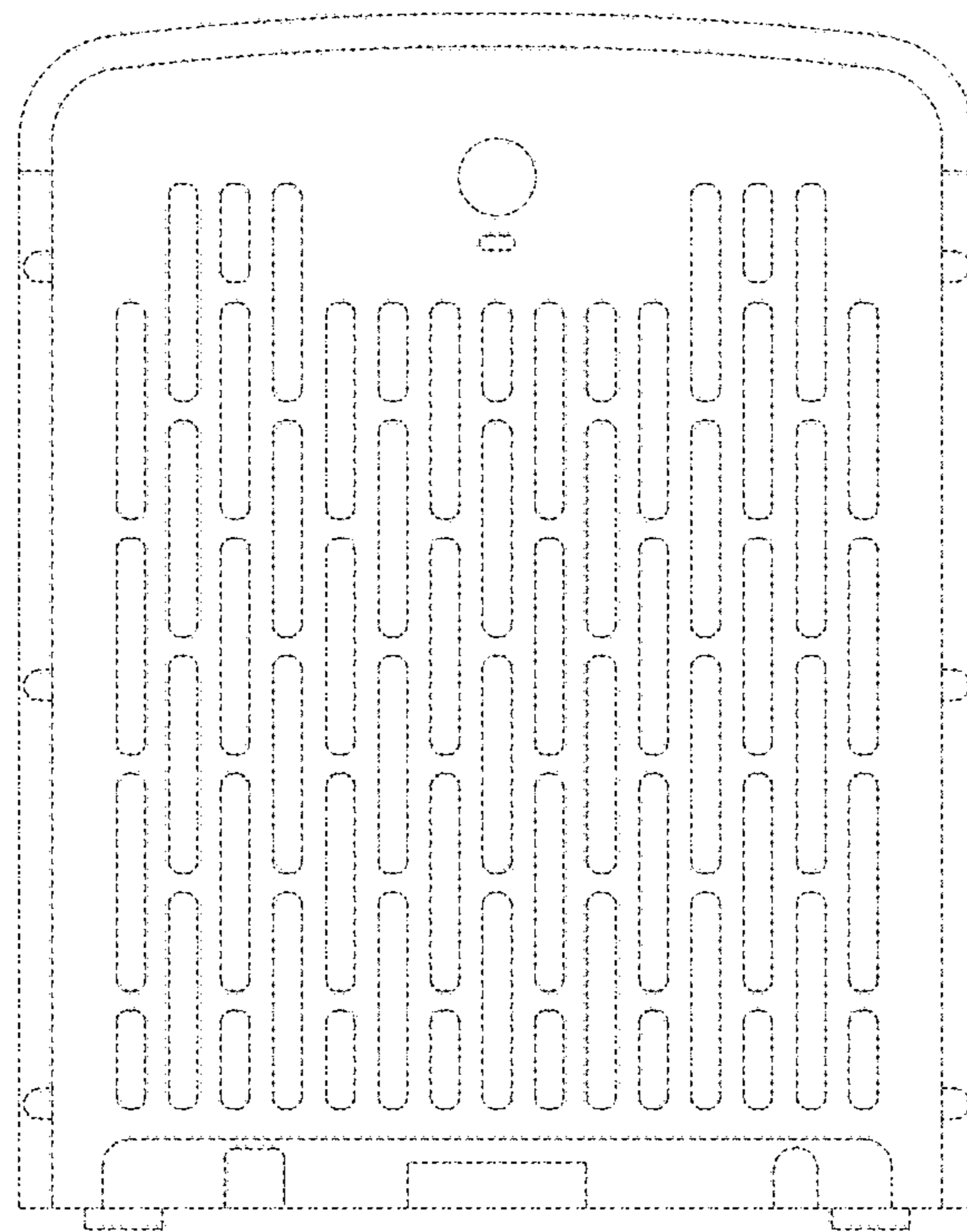


FIG. 3

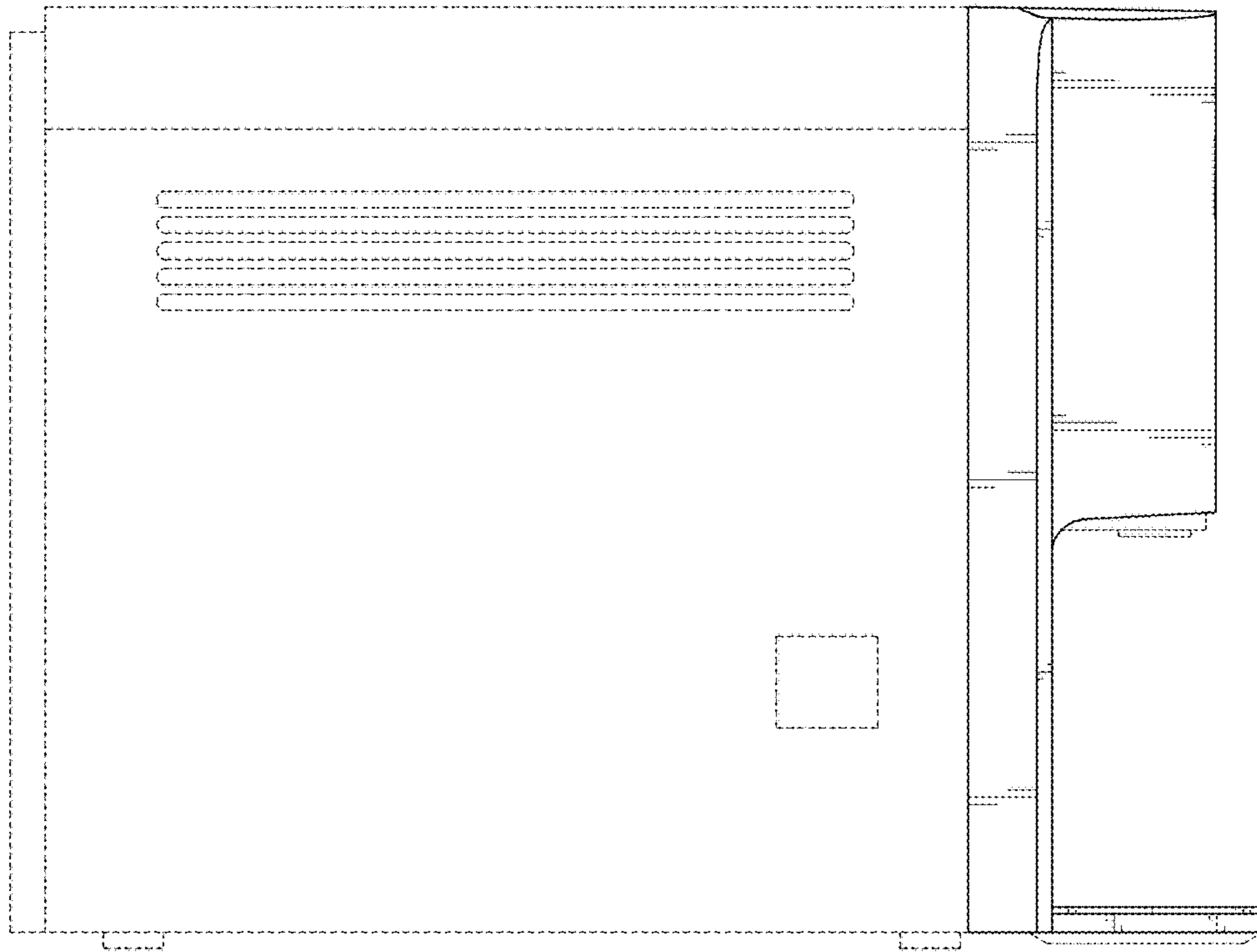


FIG. 4

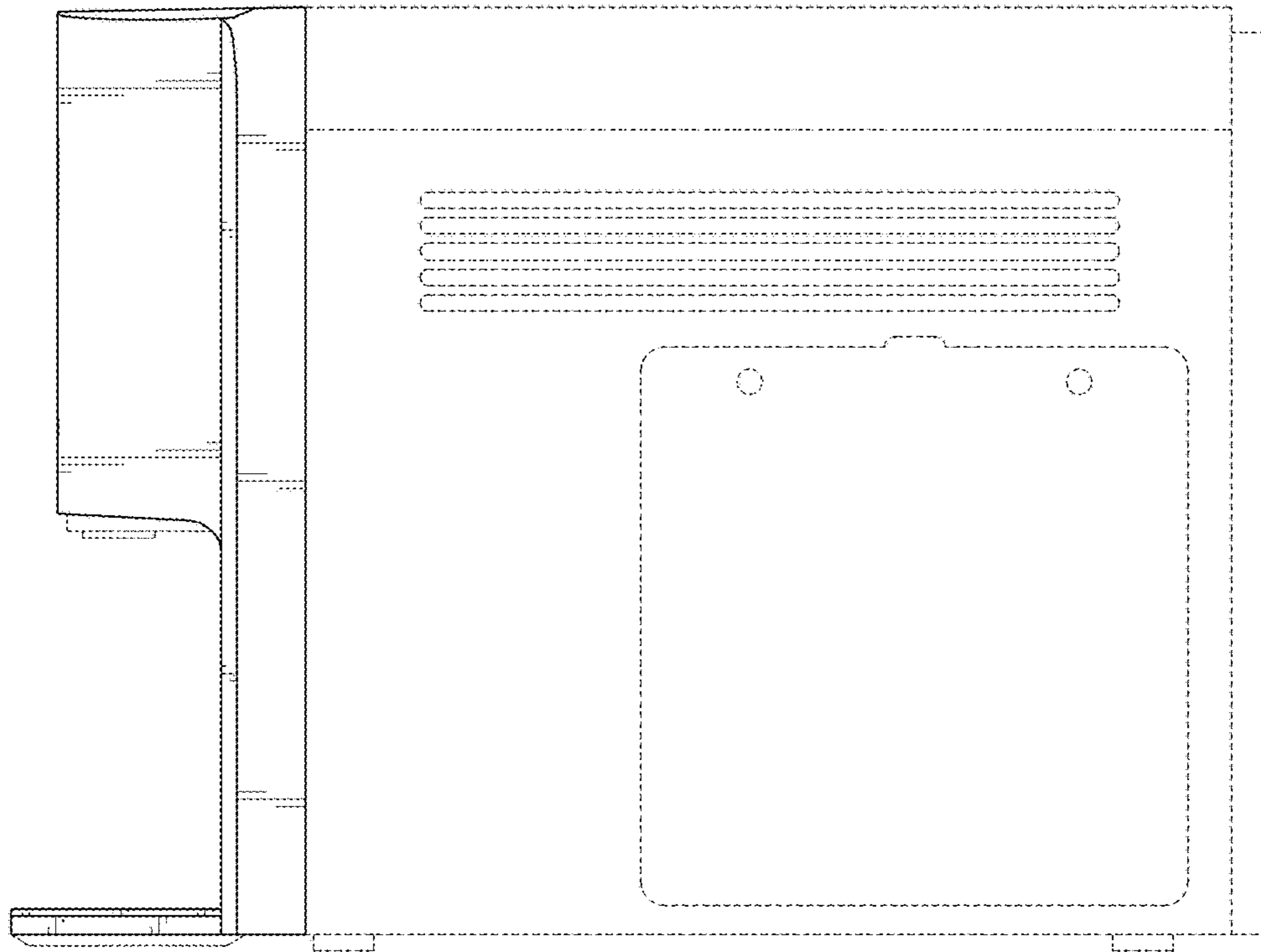


FIG. 5

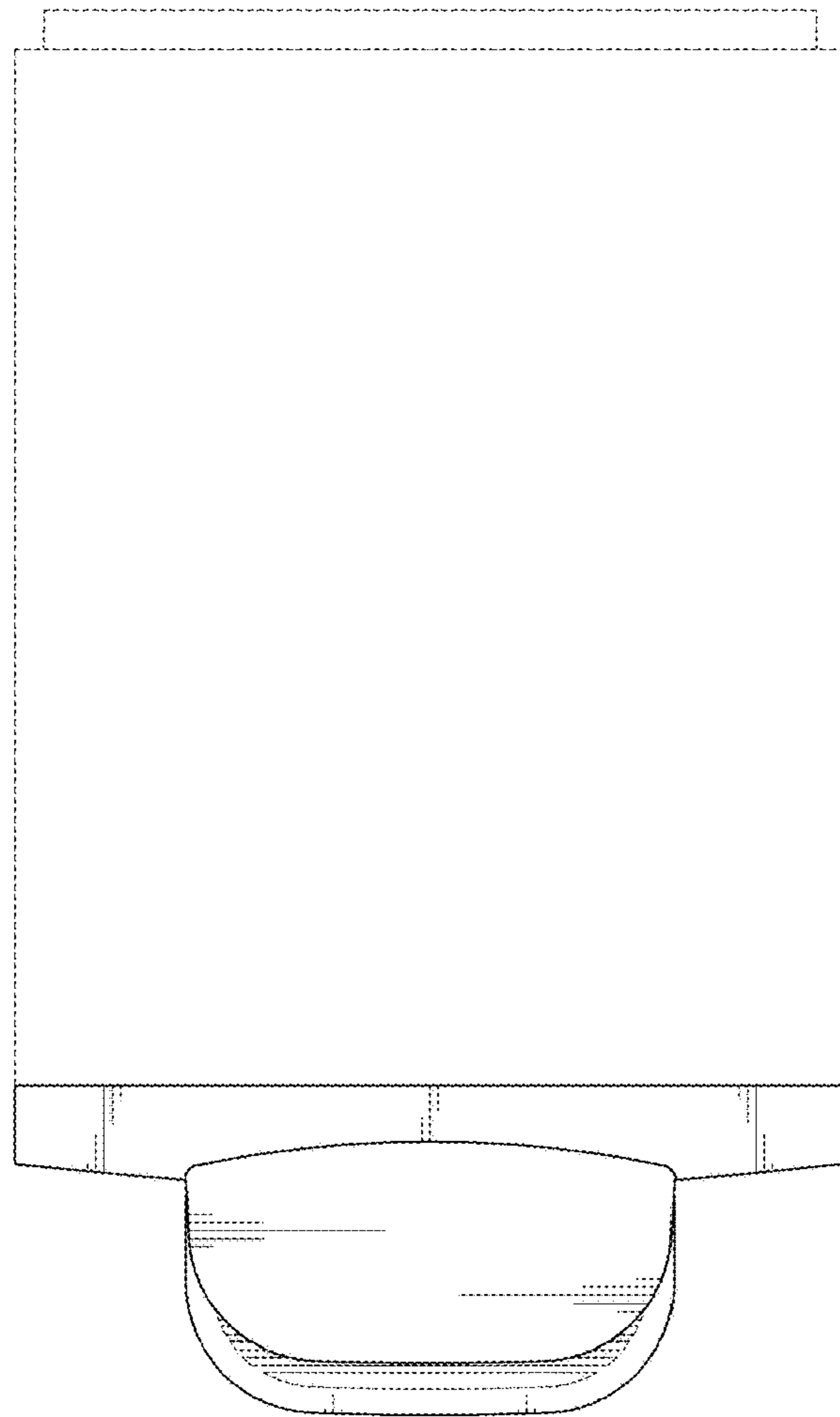


FIG. 6

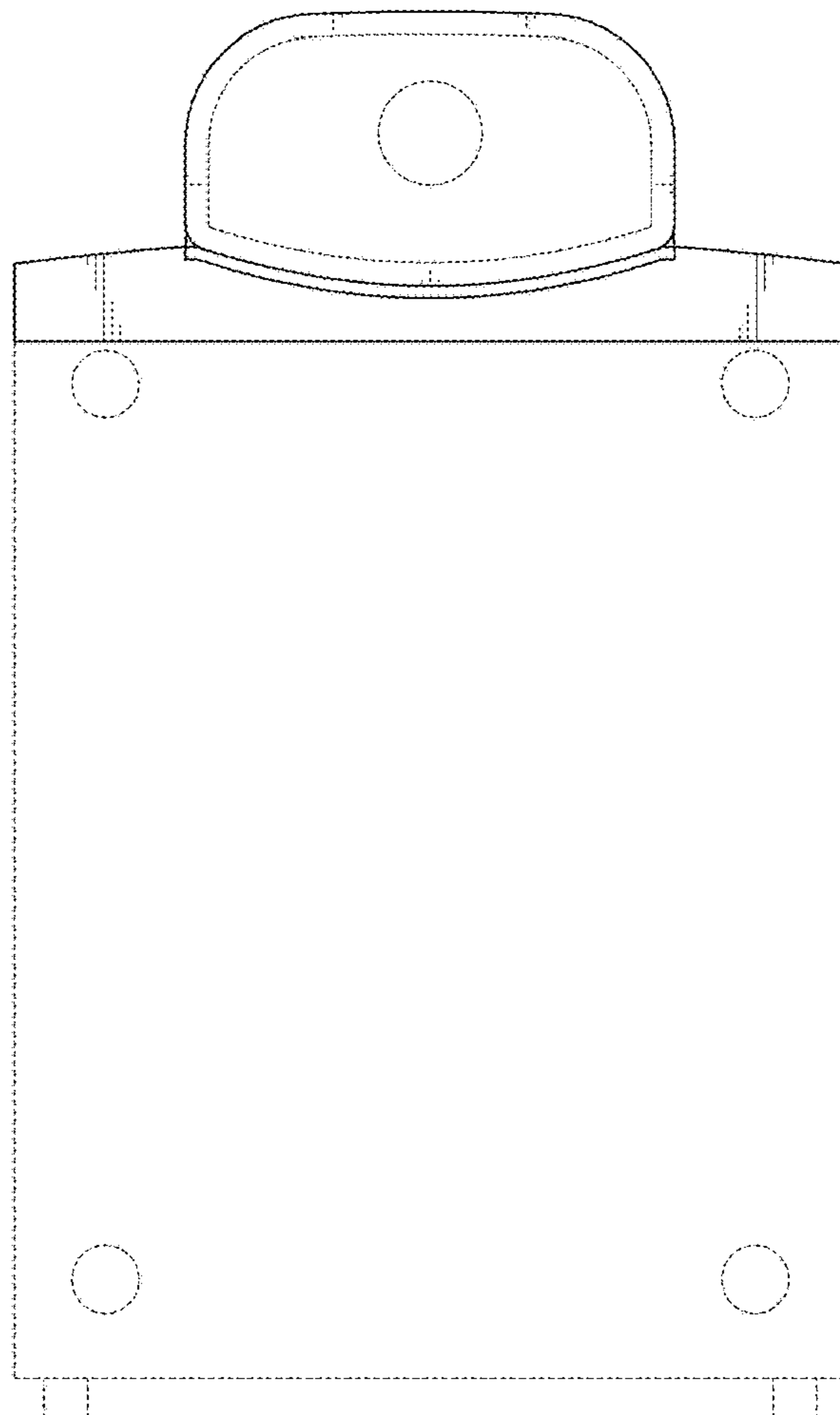


FIG. 7