

US00D842965S

(12) **United States Design Patent**
Houg

(10) **Patent No.:** **US D842,965 S**

(45) **Date of Patent:** **** Mar. 12, 2019**

(54) **FISHING HOOK REMOVAL TOOL HEAD**

D553,221 S * 10/2007 Rustowicz D22/149
D594,529 S * 6/2009 Rustowicz D22/149
D834,142 S * 11/2018 Constantine D22/149

(71) Applicant: **Daniel K. Houg**, Sioux Falls, SD (US)

* cited by examiner

(72) Inventor: **Daniel K. Houg**, Sioux Falls, SD (US)

Primary Examiner — Catherine R Oliver-Garcia

(**) Term: **15 Years**

(21) Appl. No.: **29/636,074**

(57) **CLAIM**

(22) Filed: **Feb. 6, 2018**

The ornamental design for a fishing hook removal tool head, as shown and described.

(51) **LOC (11) Cl.** **22-05**

(52) **U.S. Cl.**
USPC **D22/149**

DESCRIPTION

(58) **Field of Classification Search**
USPC D22/149–150, 199; 43/4, 53.5
CPC A01K 97/00; A01K 97/18
See application file for complete search history.

FIG. 1 is a right side view of a fishing hook removal tool head showing my new design, a left side view being a mirror image thereof;
FIG. 2 is a top view of the fishing hook removal tool head, a bottom view being a mirror image thereof;
FIG. 3 is an end view of the fishing hook removal tool head;
FIG. 4 is an enlarged view of the right side of the fishing hook removal tool head;
FIG. 5 is an enlarged view of the end view of the fishing hook removal tool head;
FIG. 6 is a front right side isometric view of the fishing hook removal tool head; and,
FIG. 7 is a front left side isometric of the fishing hook removal tool head.

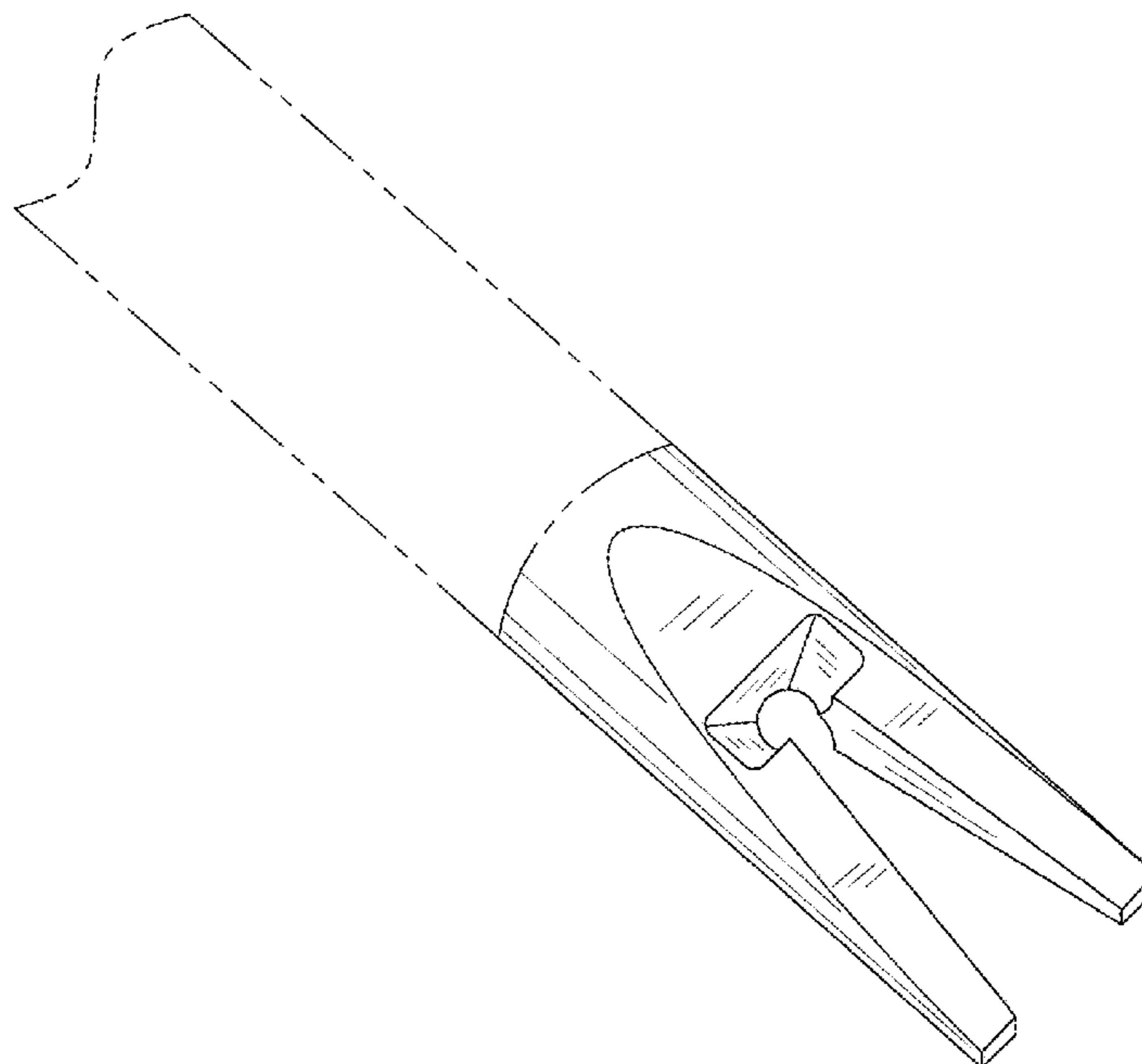
(56) **References Cited**

U.S. PATENT DOCUMENTS

2,998,670 A * 9/1961 Edwards A01K 97/18
43/53.5
4,206,561 A * 6/1980 Wong A01K 97/18
43/53.5
D291,228 S * 8/1987 Krueger D22/149
D353,086 S * 12/1994 Koehler D22/149
D355,699 S * 2/1995 Egger D22/149
D362,898 S * 10/1995 Krupp D22/149
D369,646 S * 5/1996 Richards D22/149
D379,842 S * 6/1997 Richards D22/149
D397,406 S * 8/1998 Koblegard D22/149
D515,659 S * 2/2006 Szymanski D22/149
D518,869 S * 4/2006 Thomley D22/149

The broken lines depict environmental structure and are included for the purpose of illustration only and form no part of the claimed design.

1 Claim, 4 Drawing Sheets



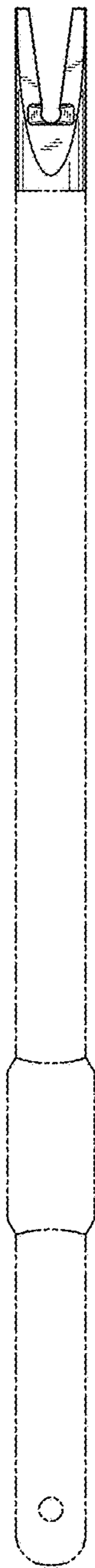


FIG. 1

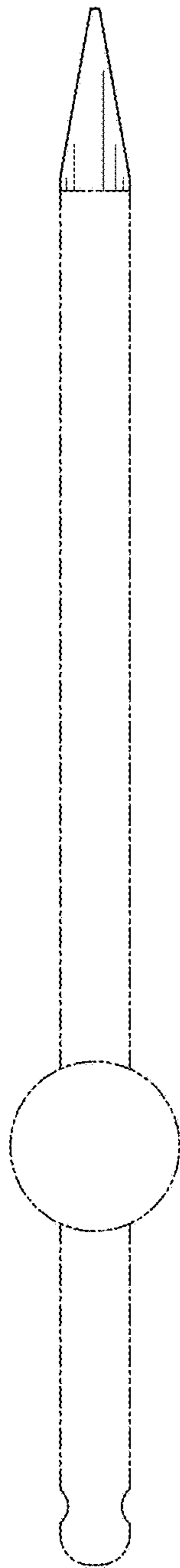


FIG. 2



FIG. 3

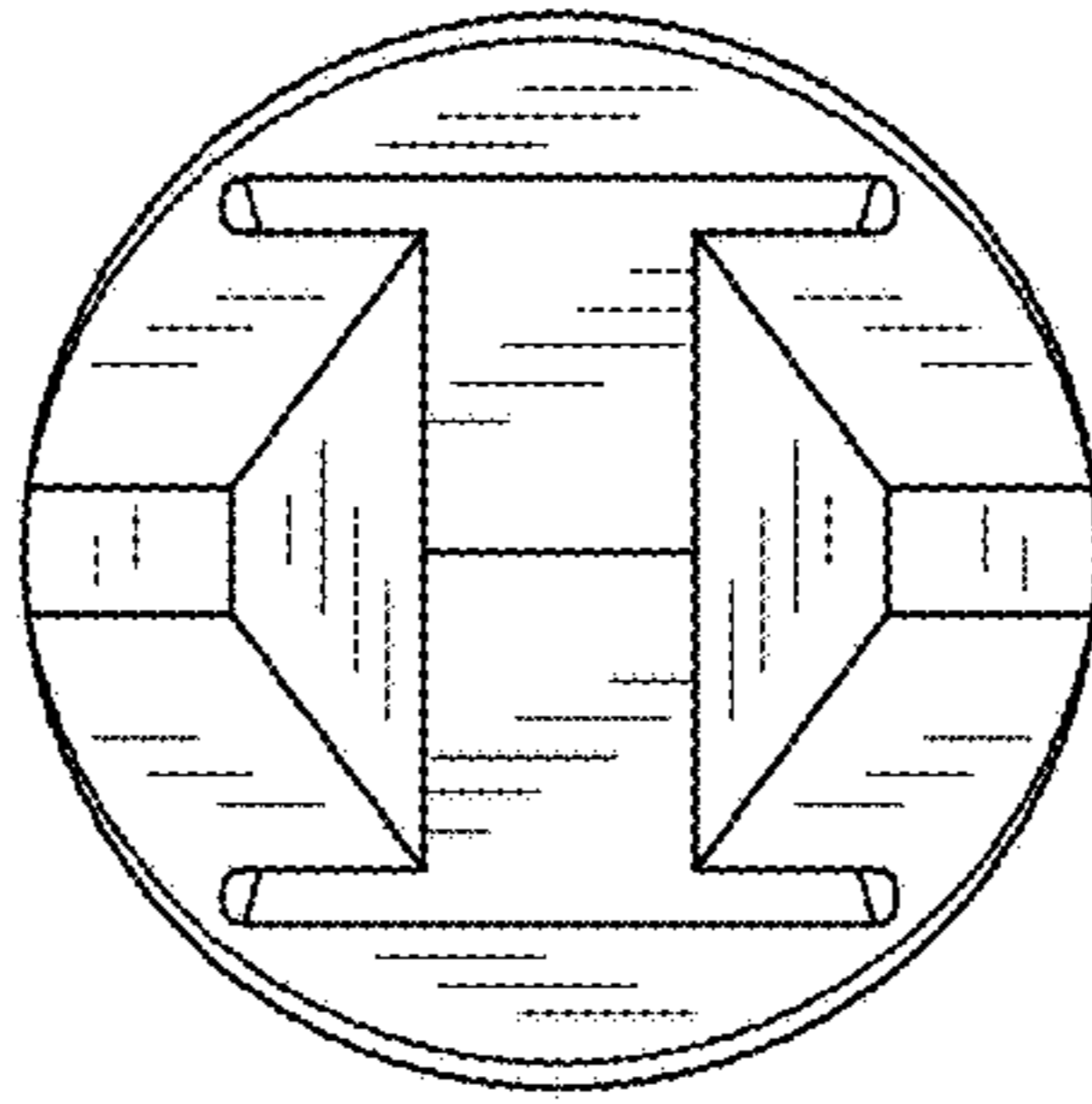


FIG. 5

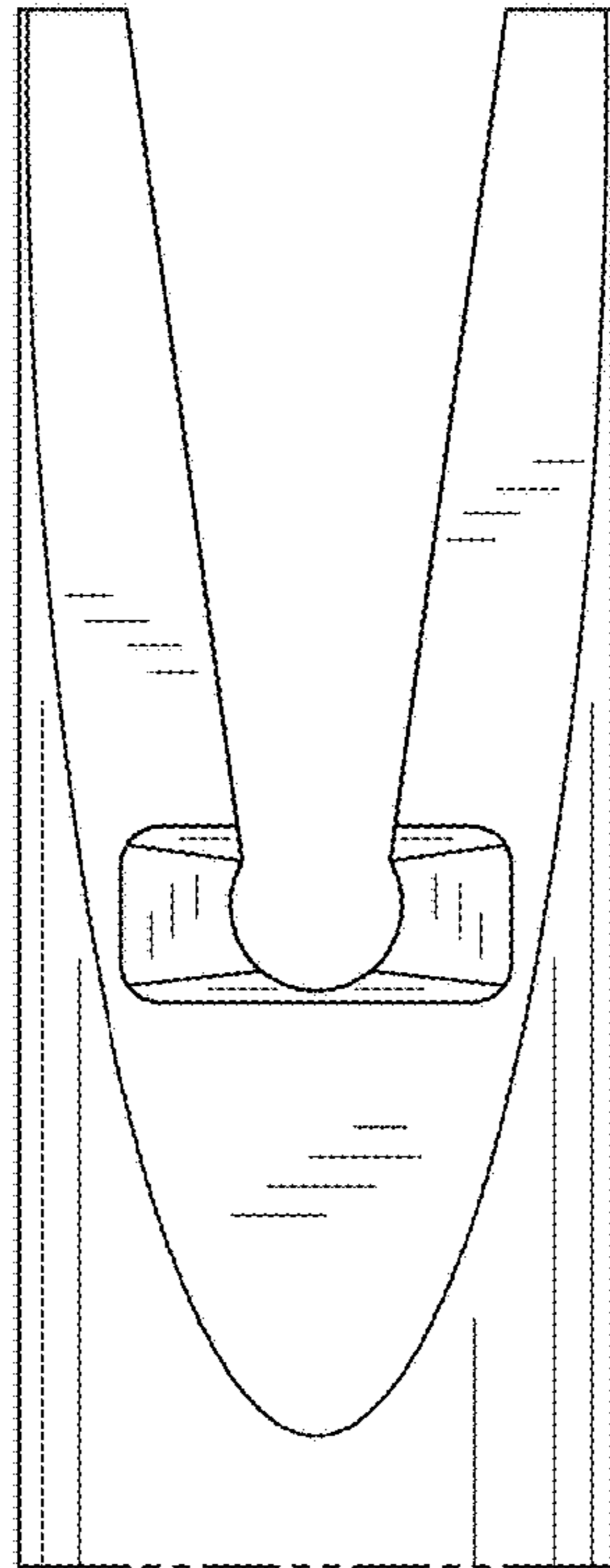


FIG. 4

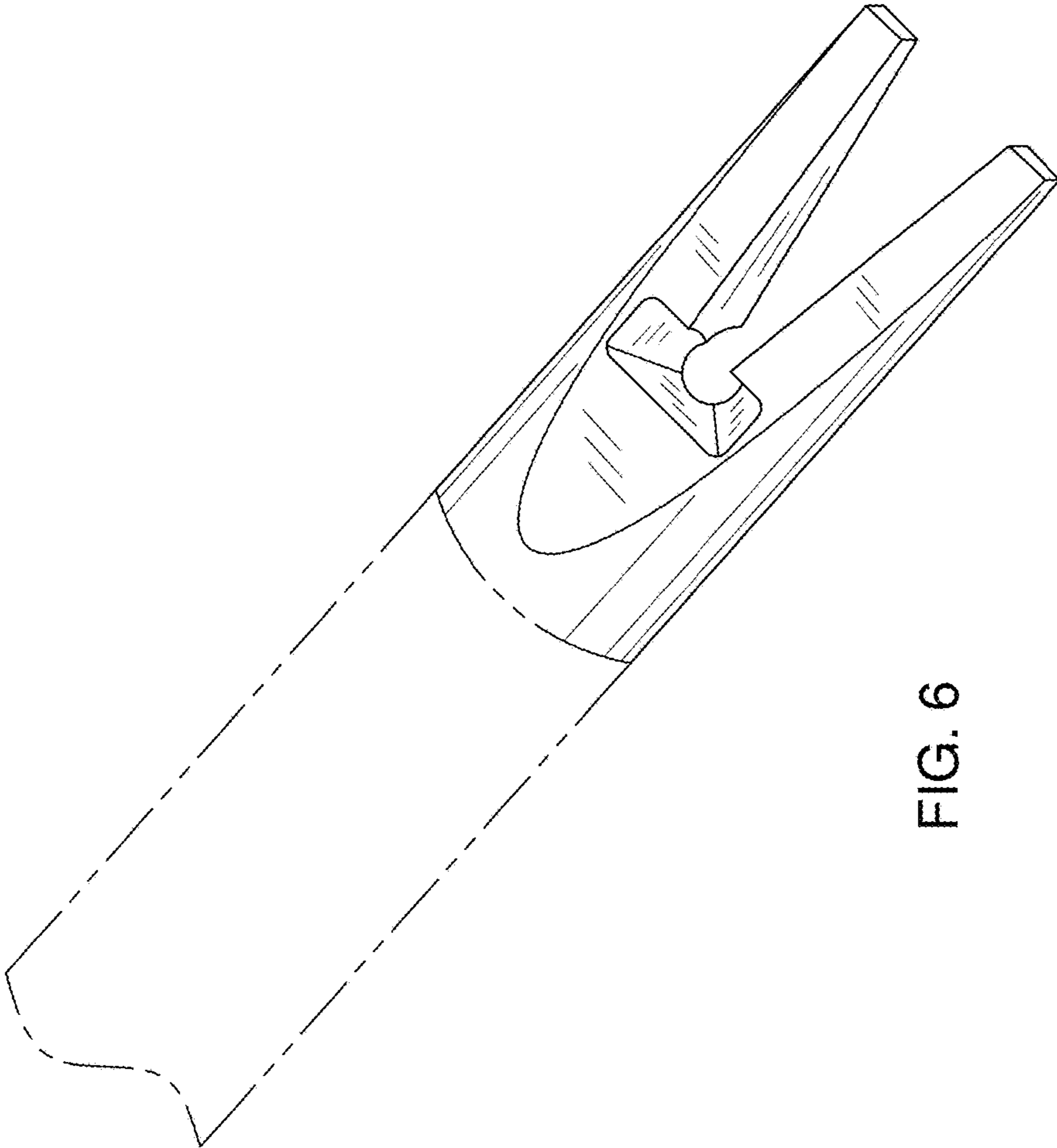


FIG. 6

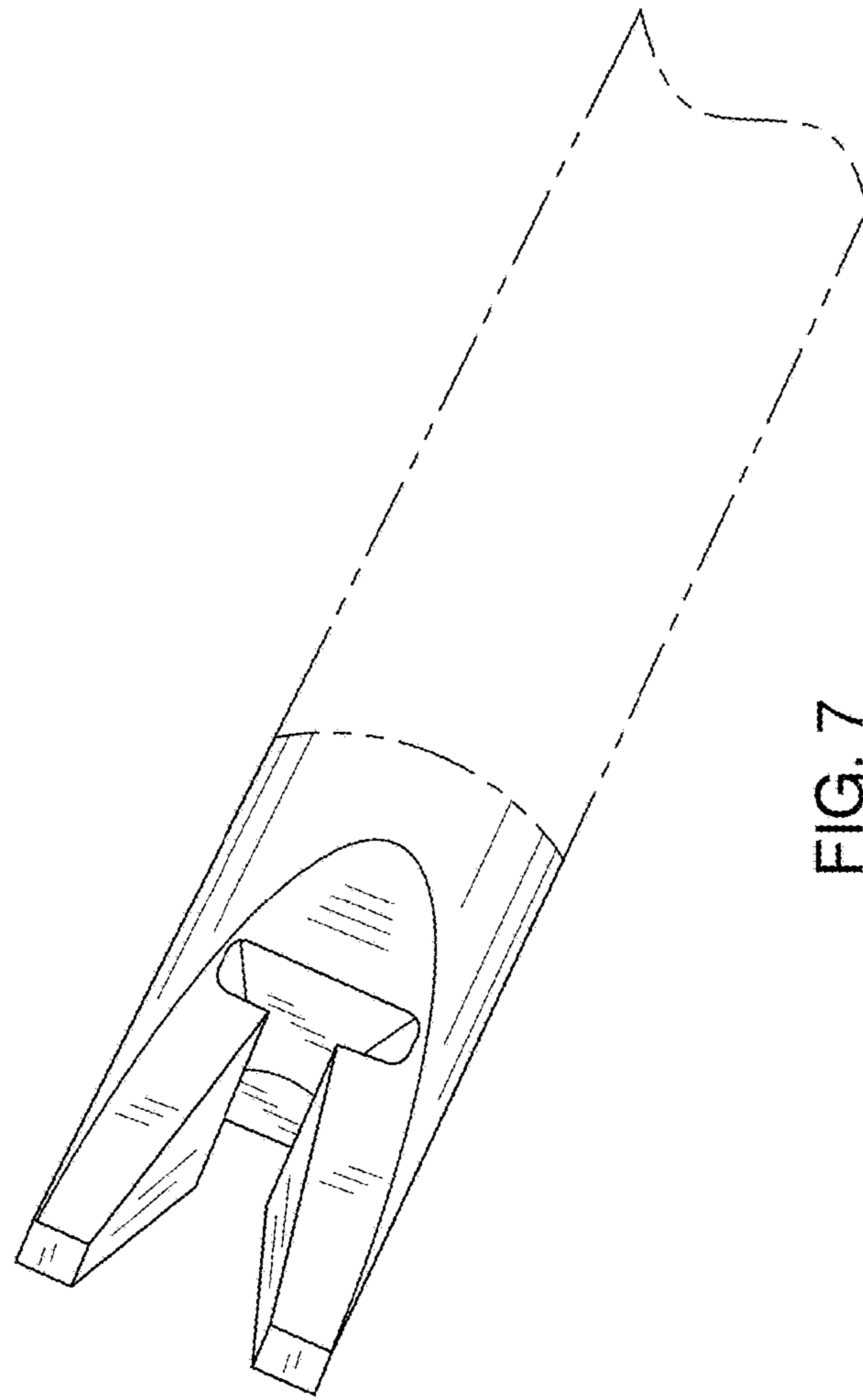


FIG. 7