



US00D842964S

(12) **United States Design Patent**
Cipolla et al.

(10) **Patent No.:** **US D842,964 S**
(45) **Date of Patent:** **** Mar. 12, 2019**

- (54) **FISHING ROD HOLDER**
- (71) Applicant: **RSC Innovations, LLC**, Saint Louis, MO (US)
- (72) Inventors: **Ronald Cipolla**, St. Louis, MO (US);
Dan Erickson, Royal Oak, MI (US)
- (73) Assignee: **RSC Innovations, LLC**, Saint Louis, MO (US)
- (**) Term: **15 Years**
- (21) Appl. No.: **29/642,437**
- (22) Filed: **Mar. 29, 2018**

- 4,650,146 A * 3/1987 Duke A01K 97/10
248/129
- 4,871,099 A * 10/1989 Bogar, Jr. A01K 97/10
224/566
- D352,089 S * 11/1994 Barber D22/147
- 5,383,299 A * 1/1995 Smelker A01K 97/10
248/513
- D373,867 S * 9/1996 Rask D32/58
- D381,392 S * 7/1997 Darling D22/147
- D393,690 S * 4/1998 Lovelady D22/147
- D413,648 S * 9/1999 Simpson D22/147
- 5,987,803 A * 11/1999 White A01K 97/10
43/21.2
- 6,102,203 A * 8/2000 Marro A47K 1/09
206/362.1
- 6,289,627 B1 * 9/2001 Gibbs A01K 97/10
43/21.2
- D456,974 S * 5/2002 Hicks D34/12
- D507,817 S * 7/2005 Mitchell D22/147

(Continued)

Related U.S. Application Data

- (63) Continuation-in-part of application No. 29/602,887, filed on May 4, 2017, now Pat. No. Des. 822,787.
- (51) **LOC (11) Cl.** **22-05**
- (52) **U.S. Cl.**
USPC **D22/147**
- (58) **Field of Classification Search**
USPC D6/552, 553, 567, 572; D8/380;
D22/147, 148, 109; D25/68; 43/21,
43/21.2; 211/13.1, 60.1, 64, 70.2, 70.6,
211/70.8, 65, 68, 69, 69.8, 89, 94;
248/512, 520, 538, 316.7
CPC A01K 97/10; A01K 97/12; A01K 97/125;
A01K 99/00; A01K 97/08; A47F 7/0021;
A47F 7/0035; A47B 81/005; Y10T
70/5009; Y10S 224/922
See application file for complete search history.

Primary Examiner — David G Muller
Assistant Examiner — Nathan M Johnston
 (74) *Attorney, Agent, or Firm* — Kutak Rock LLP; Sara Weilert Gillette

(57) **CLAIM**

The ornamental design for a fishing rod holder, as shown and described.

DESCRIPTION

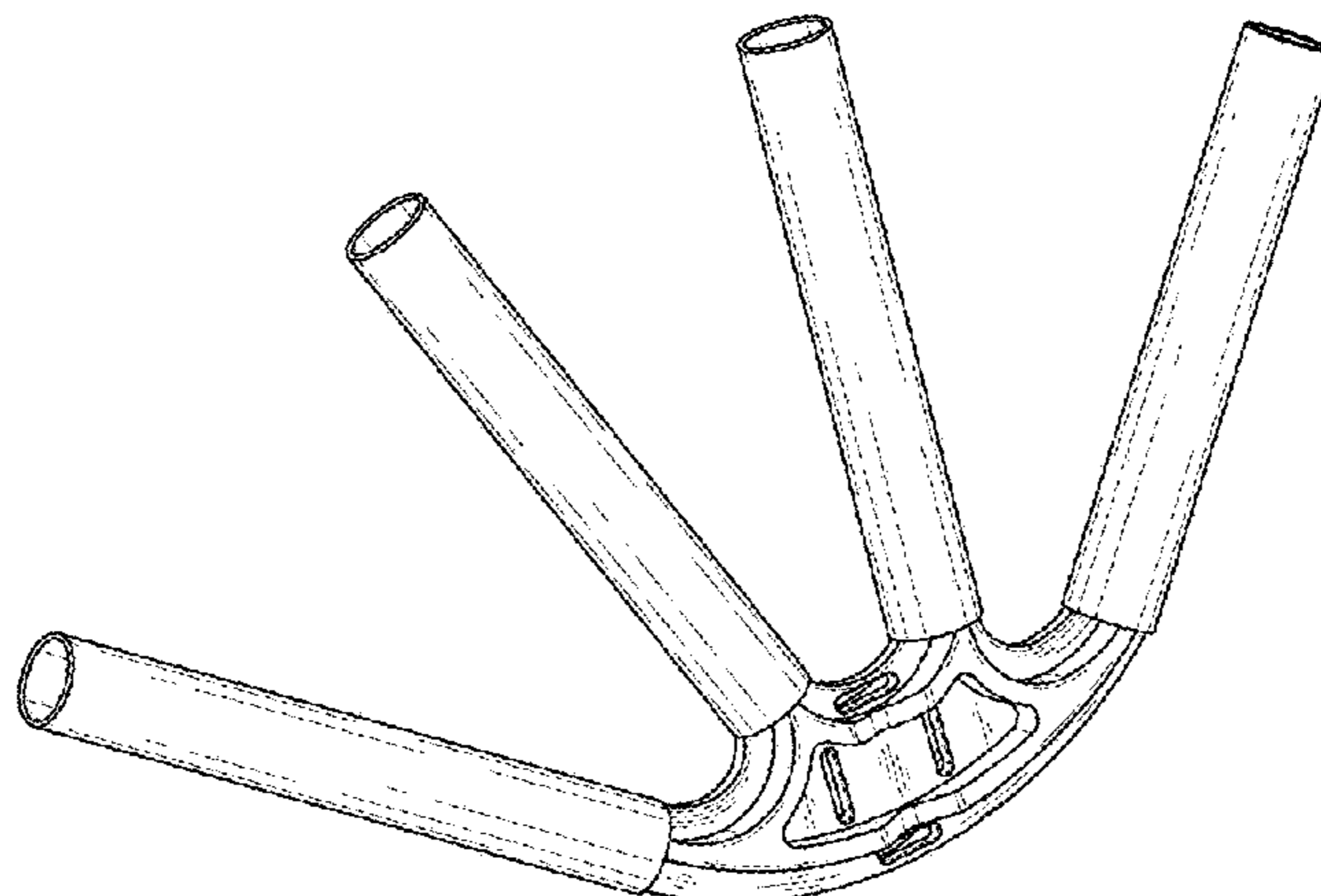
FIG. 1 is a front perspective view of the fishing rod holder showing our new design;
 FIG. 2 is a rear elevation view thereof;
 FIG. 3 is a front elevation view thereof;
 FIG. 4 is a right side elevation view thereof;
 FIG. 5 is a left side elevation view thereof;
 FIG. 6 is a top plan view thereof;
 FIG. 7 is a bottom plan view thereof; and,
 FIG. 8 is a cross-sectional view of the fishing rod holder taken from FIG. 2.

1 Claim, 6 Drawing Sheets

(56) **References Cited**

U.S. PATENT DOCUMENTS

- D170,239 S * 8/1953 Raylor D23/265
- D271,610 S * 11/1983 Lummis D22/147
- D271,611 S * 11/1983 Lummis D22/147



(56)

References Cited

U.S. PATENT DOCUMENTS

D564,617	S *	3/2008	White	D22/147
D599,877	S *	9/2009	Battin, Jr.	D22/147
D662,745	S *	7/2012	Zalewski	D6/552
D759,842	S *	6/2016	Umlor	D25/68
2003/0230024	A1 *	12/2003	Roberson	A01K 97/10 43/21.2
2005/0102881	A1 *	5/2005	Legendziewicz	A01K 97/10 43/21.2
2014/0125075	A1 *	5/2014	Xiques	A01K 97/08 294/143
2014/0263113	A1 *	9/2014	Hall, II	A47B 81/005 211/70.8
2017/0119134	A1 *	5/2017	Dabbs	E04H 12/2215
2017/0231209	A1 *	8/2017	Pippins	A01K 97/125 43/17

* cited by examiner

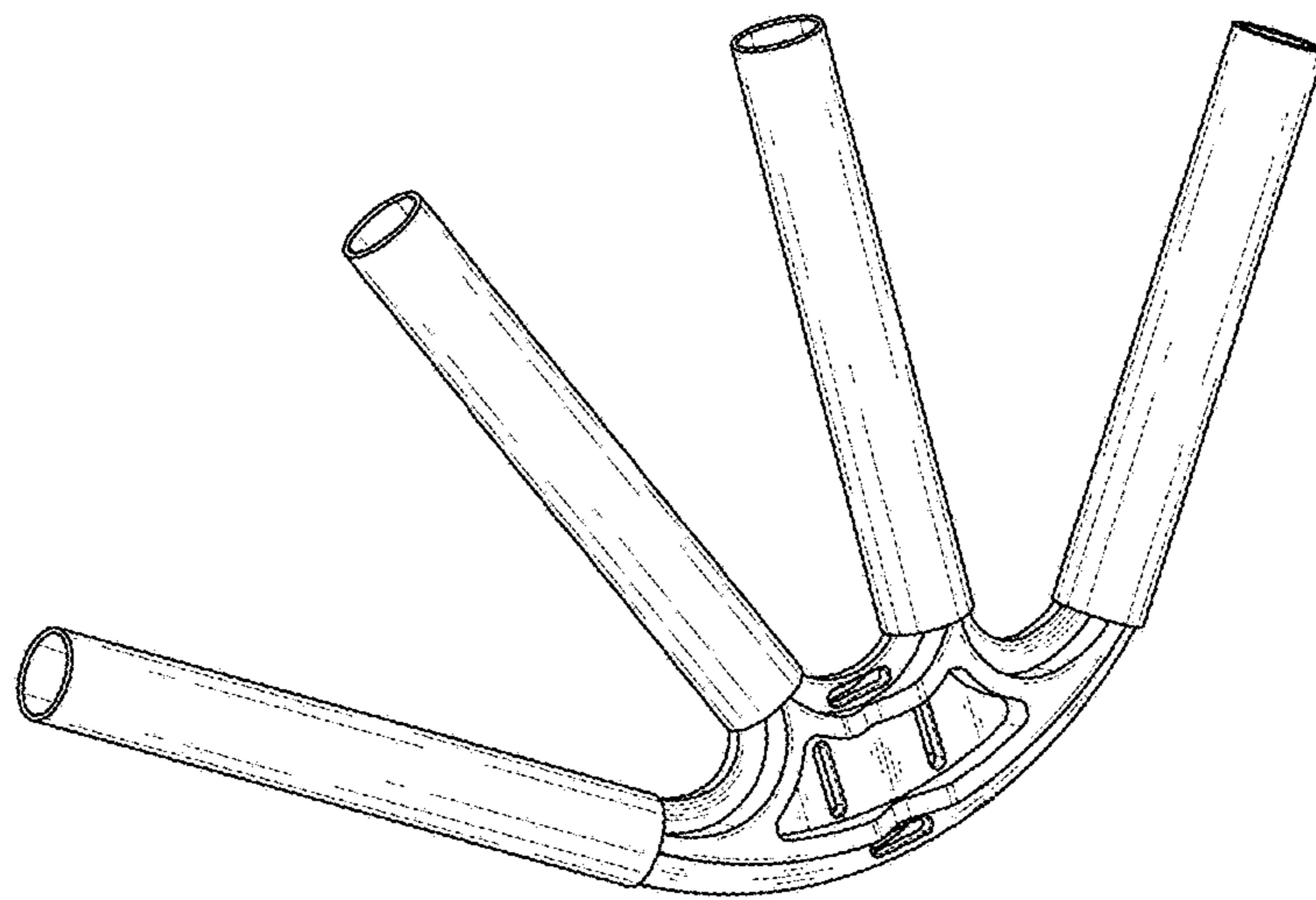


FIG. 1

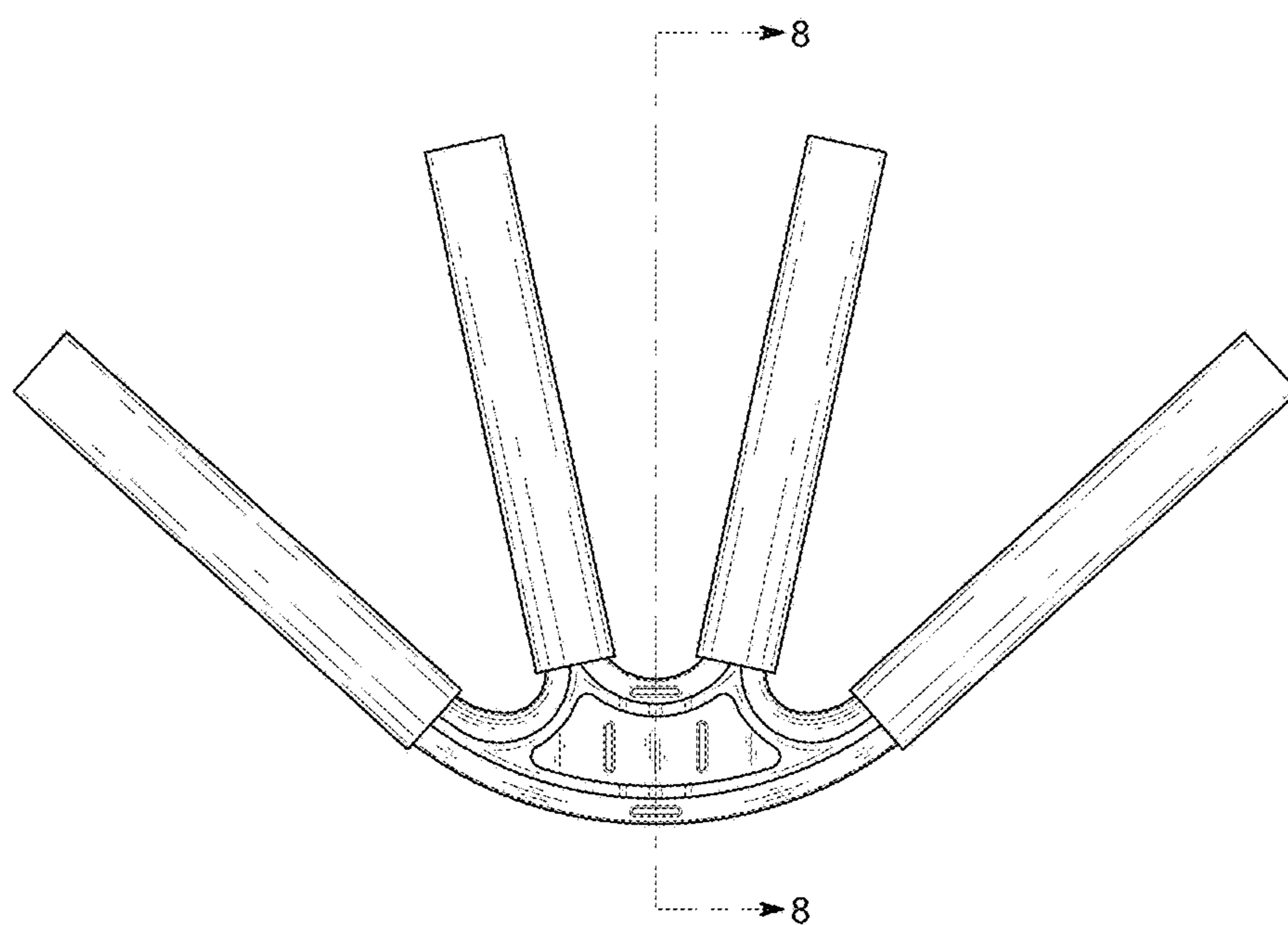


FIG. 2

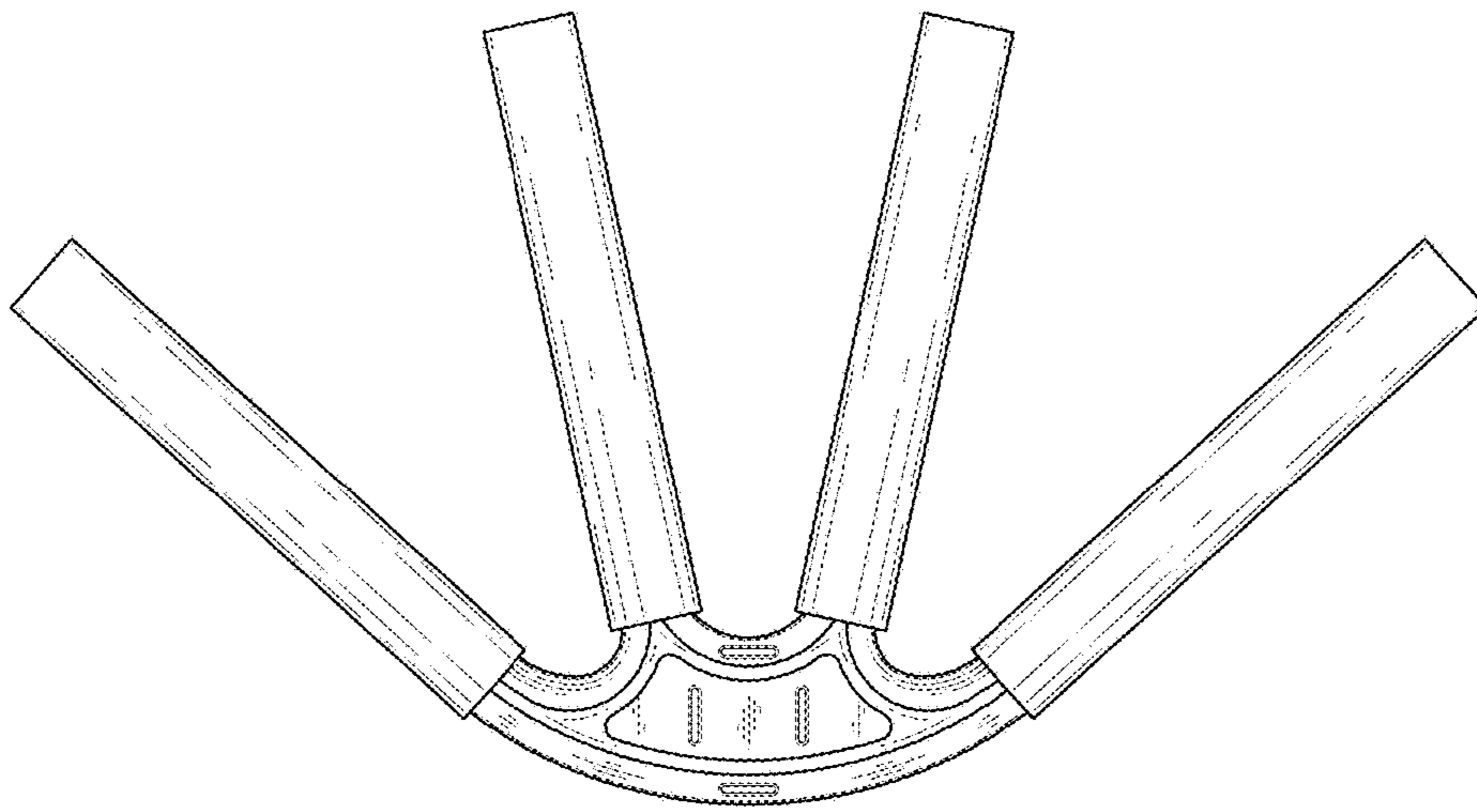


FIG. 3

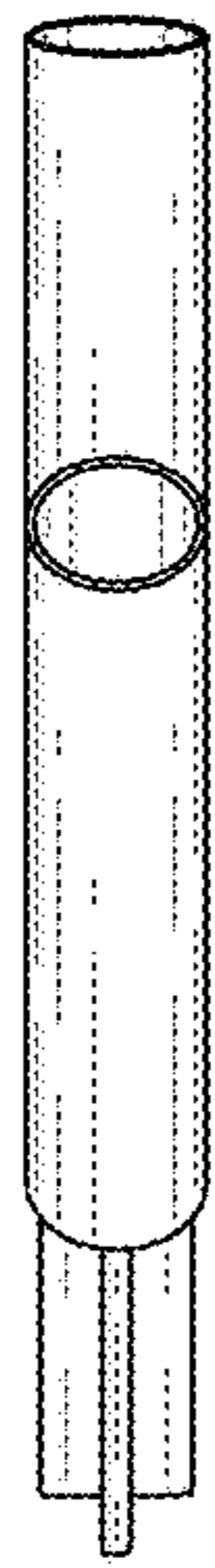


FIG. 4



FIG. 5

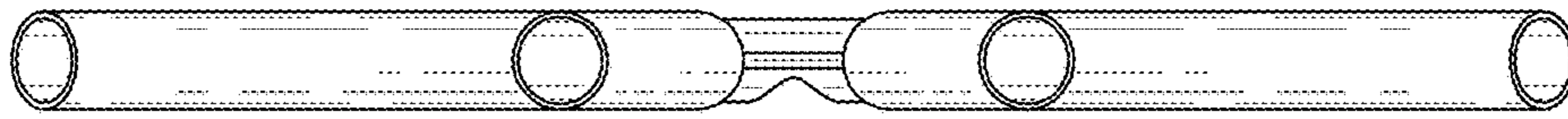


FIG. 6

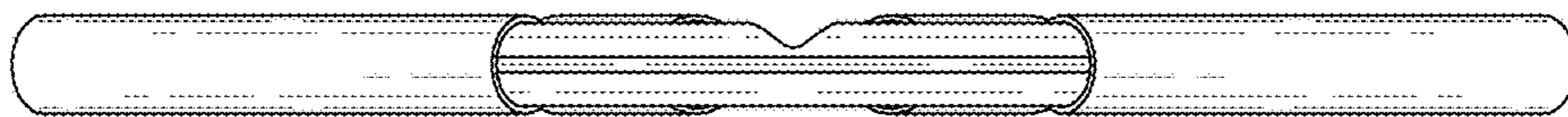


FIG. 7

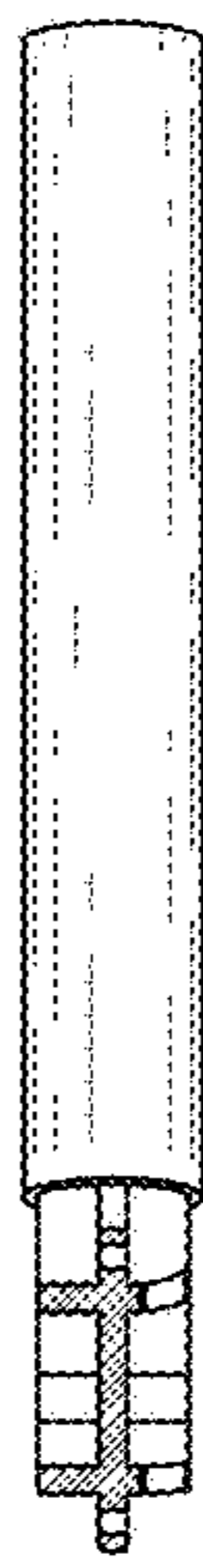


FIG. 8