



US00D842963S

(12) **United States Design Patent**
Hedelson

(10) **Patent No.:** **US D842,963 S**
(45) **Date of Patent:** **** Mar. 12, 2019**

(54) **ICE FISHING HOOK PROTECTOR**

FOREIGN PATENT DOCUMENTS

(71) Applicant: **Ray Hedelson**, Mound, MN (US)

CN 104823941 A 8/2015
EP 82126 A1 6/1983

(72) Inventor: **Ray Hedelson**, Mound, MN (US)

(Continued)

(**) Term: **15 Years**

OTHER PUBLICATIONS

(21) Appl. No.: **29/624,785**

(22) Filed: **Nov. 3, 2017**

Ebay.com, Fishing Rod Magnetic Safety Hook Keeper for Tenkara, Fly, Fresh, Salt Water Rods, <https://www.ebay.com/itm/Fishing-Rod-Magnetic-Safety-Hook-Keeper-for-Tenkara-Fly-Fresh-Salt-Water-Rods-/261308598265>, Jul. 12, 2016.

(51) **LOC (11) Cl.** **22-05**

(52) **U.S. Cl.**

(Continued)

USPC **D22/144**

(58) **Field of Classification Search**

USPC D22/126-133, 144; 43/42.39, 42.42,
43/42.4, 42.37, 43.16, 43.2, 42.06, 4.5,
43/42.28, 41, 44.4, 47, 57.1, 25.2

CPC A01K 83/00; A01K 83/06; A01K 85/00;
A01K 85/02; A01K 85/16; A01K 97/045;
A01K 97/06; A01K 99/00

See application file for complete search history.

Primary Examiner — Catherine R Oliver-Garcia

(74) *Attorney, Agent, or Firm* — Inskeep IP Group, Inc.

(57)

CLAIM

The ornamental design for a ice fishing hook protector, as shown and described.

(56)

References Cited

DESCRIPTION

U.S. PATENT DOCUMENTS

699,711	A *	5/1902	Pyott, Jr.	43/42.28
798,575	A *	8/1905	Eastman	43/42.19
1,178,861	A *	4/1916	Kruschke	A01K 85/02 43/42.28
1,768,033	A *	6/1930	Deatz	A01K 85/02 43/42.28
2,095,048	A *	10/1937	Aikins	A01K 97/06 43/57.1
2,241,367	A *	5/1941	Sarff	A01K 85/02 43/42.1
2,482,881	A	9/1949	Sonner, Jr.	
2,616,209	A	11/1952	Ploen	
2,685,756	A	8/1954	Mowbray	
3,141,258	A	7/1964	Mayer	
3,231,999	A *	2/1966	Gurka	A01K 83/00 43/42.09
3,277,600	A	10/1966	Helfenstein	

(Continued)

FIG. 1 is a perspective view of the ice fishing hook protector according to the invention.

FIG. 2 is a front view of the ice fishing hook protector of FIG. 1.

FIG. 3 is a rear view of the ice fishing hook protector of FIG. 1.

FIG. 4 is a side view of the ice fishing hook protector of FIG. 1.

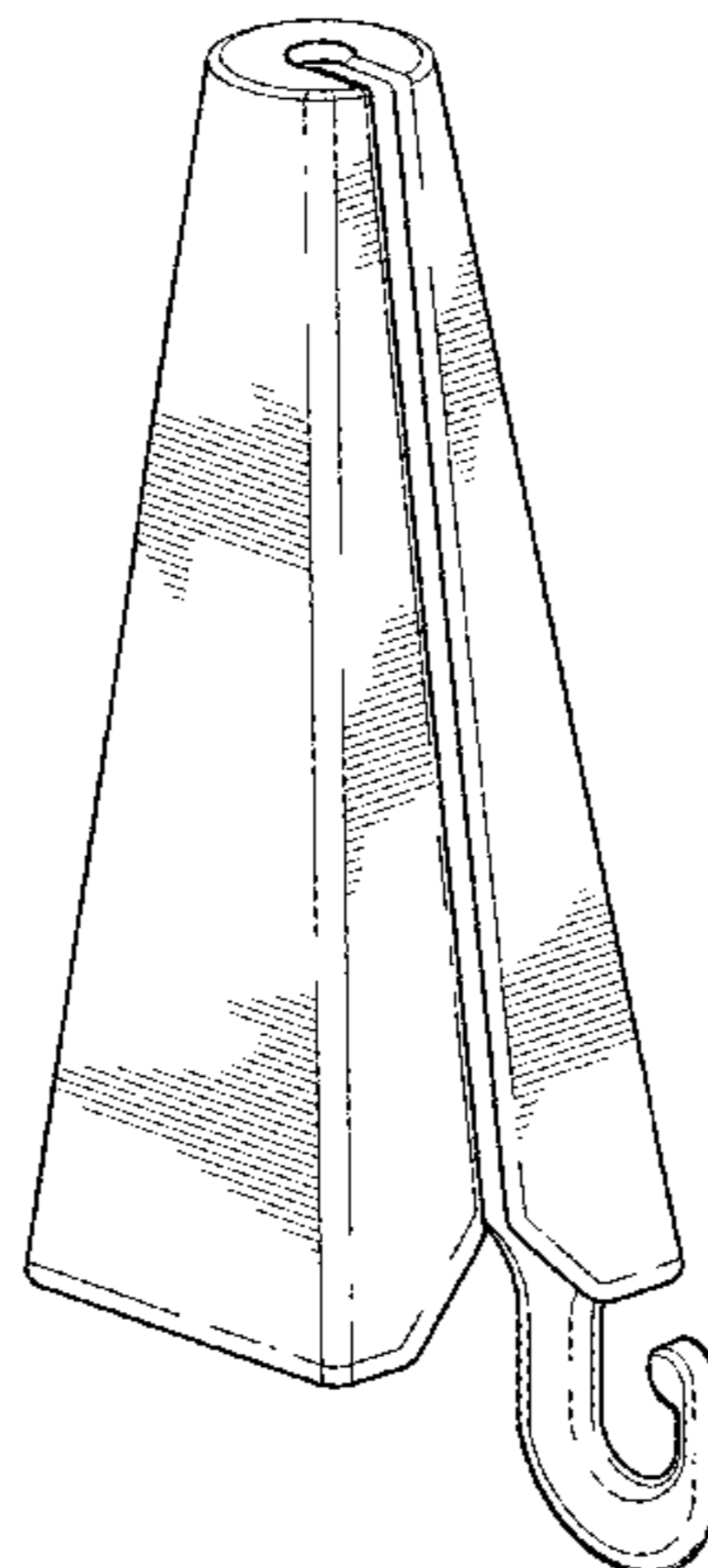
FIG. 5 is an opposite side view of the ice fishing hook protector of FIG. 1;

FIG. 6 is a top view of the ice fishing hook protector of FIG. 1.

FIG. 7 is a bottom view of the ice fishing hook protector of FIG. 1; and,

FIG. 8 is a perspective view of the ice fishing hook protector of FIG. 1.

1 Claim, 4 Drawing Sheets



(56)

References Cited

U.S. PATENT DOCUMENTS

3,430,379 A 3/1969 Wolfrum
 3,670,445 A * 6/1972 Borger A01K 97/06
 43/42.4
 3,971,151 A 7/1976 Banner
 D269,033 S 5/1983 Johansson et al.
 4,597,216 A * 7/1986 Bjorshol A01K 83/00
 43/42.4
 4,667,433 A 5/1987 Thompson, Jr.
 4,922,645 A * 5/1990 Hannon A01K 85/02
 43/42.4
 D320,060 S * 9/1991 Austin D22/136
 5,123,199 A * 6/1992 Lysohir A01K 97/06
 43/25.2
 5,452,538 A * 9/1995 Trefiak A01K 83/00
 43/25.2
 5,857,285 A 1/1999 Little
 6,691,448 B2 * 2/2004 Jones A01K 97/06
 43/25.2
 6,813,857 B2 * 11/2004 Payer A01K 85/00
 43/42.36
 D515,657 S 2/2006 Ljungström
 7,788,844 B1 9/2010 Ruzicka
 7,793,459 B1 9/2010 Ruzicka
 7,997,024 B2 8/2011 Gesik
 8,407,928 B2 4/2013 Brown et al.
 2006/0048438 A1 3/2006 Kohler
 2006/0277815 A1 12/2006 Adams
 2009/0288331 A1 11/2009 Moyer et al.
 2010/0083558 A1 4/2010 Brown et al.
 2010/0180489 A1 7/2010 Benesh
 2014/0033602 A1 2/2014 Gesik

FOREIGN PATENT DOCUMENTS

GB 1216941 A 12/1970
 JP 2743270 B2 4/1998
 JP 3108336 B2 11/2000

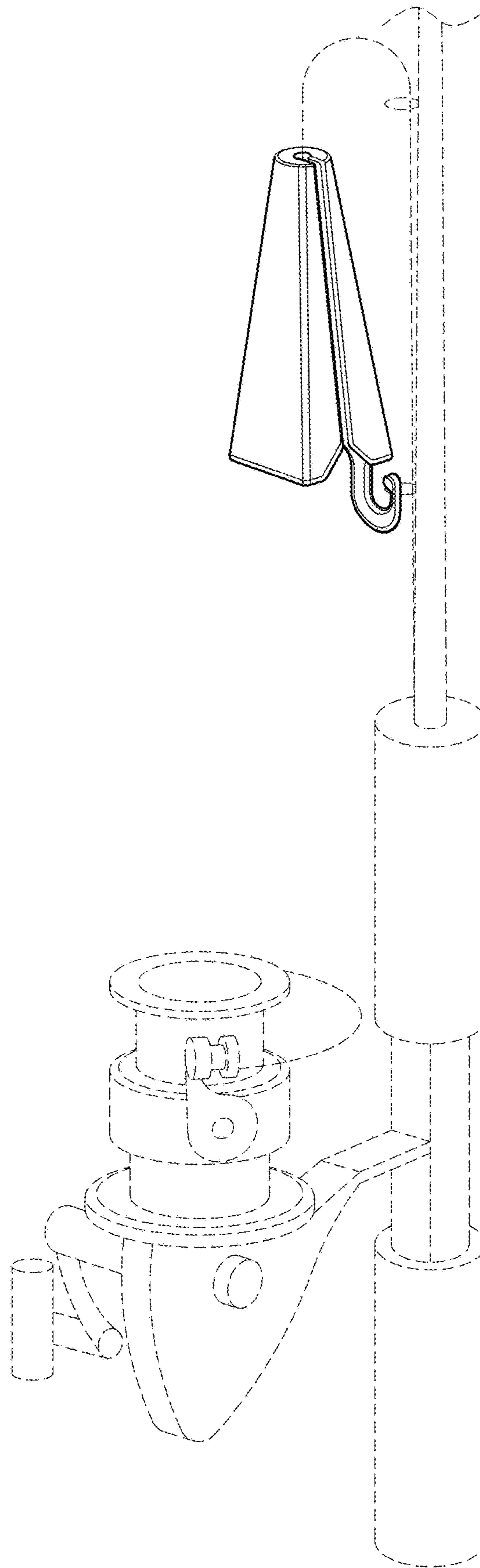
JP 2002142636 A 5/2002
 JP 3448331 B2 9/2003
 JP 2005040040 A 2/2005
 JP 2005046007 A 2/2005
 KR 200414656 Y1 4/2006

OTHER PUBLICATIONS

Ebay.com, Spurt Squid Jig Hook Protector Covers Case Cap LURE Fishing Gear Lures, <https://www.ebay.com/itm/10-50x-Spurt-Squid-Jig-Hook-Protector-Covers-Case-Cap-LURE-Fishing-Gear-Lures-/191726348698>, Jun. 12, 2016.
 Alibaba.com, Safety Hook Cover, https://www.alibaba.com/product-detail/Safety-Hook-Cover_127329599.html, Jun. 12, 2016.
 Alibaba.com, Cheap Plastic Treble Fish Hook Covers With Customized, https://www.alibaba.com/product-detail/Cheap-Price-Plastic-Treble-Fish-Hook_60440855139.html, Jun. 12, 2016.
 Alibaba.com, Hook Protector, https://www.alibaba.com/product-detail/hook-protector-size-2-8pcs-black_60377836367.html, Jul. 12, 2016.
 Motackle & Outdoors, Treble Covers, <http://www.motackle.com/au/treble-covers-3103437.html>, Jul. 12, 2016.
 FISHING4EVERYBODY.COM, Fishing hook protectors and covers, <http://fishing4everybody.com/r5.html>, Jul. 12, 2016.
 Amazon.com, HOOK-EZE Twin Pack-Safety Tying Device and Line Cutter, <https://www.amazon.com/HOOK-EZE-Safety-Device-Cutter-Choose/dp/B01BWZD7HE>, Jul. 12, 2016.
 www.bigfishtackle.com, Multiple Hooks Ready in Pocket, <http://www.bigfishtackle.com/hooksafe2.htm>, Jul. 12, 2016.
 Ebay.com, Fishing Rod Magnetic Safety Hook Keeper for Tenkara, Fly, Fresh, Salt Water Rods, <https://www.ebay.com/itm/Fishing-Rod-Magnetic-Safety-Hook-Keeper-for-Tenkara-Fly-Fresh-Salt-Water-Rods-/261308598265>, Jul. 12, 2016.
 Ebay.com, The Hook Safe, <http://www.kijiji.ca/v-fishing-camping-outdoor/edmonton/the-hook-safe-fish-hook-new-6-49-or3-for-15-00/1157068572>, Sep. 12, 2016.

* cited by examiner

FIG. 1



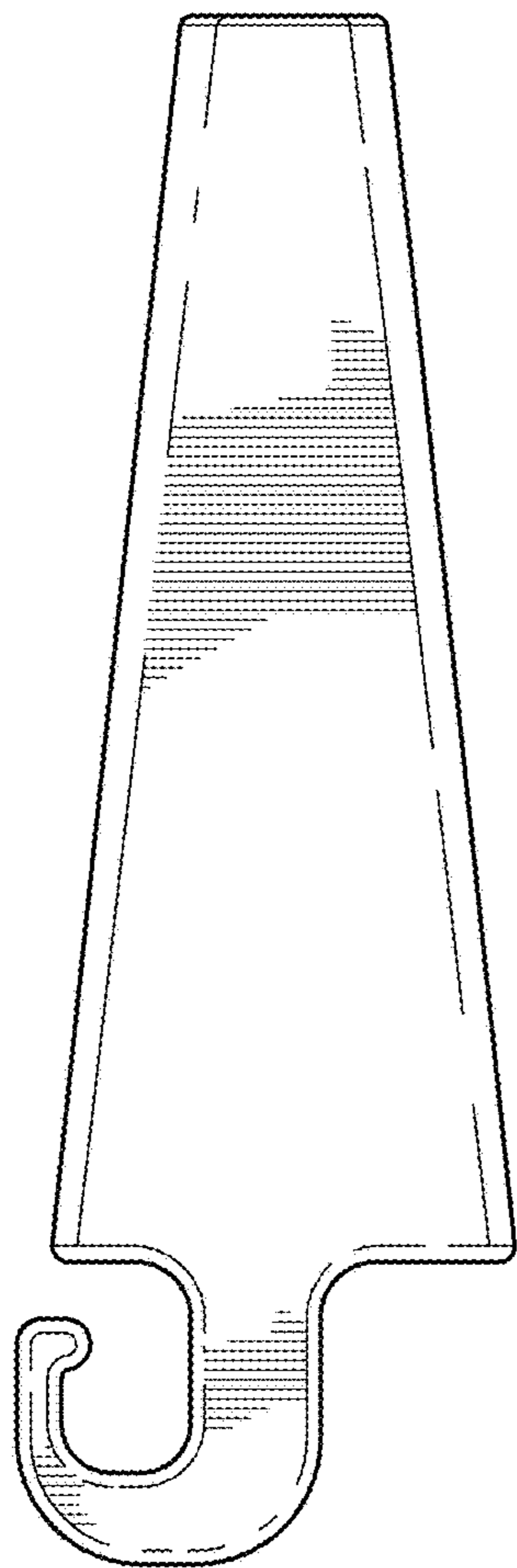


FIG. 2

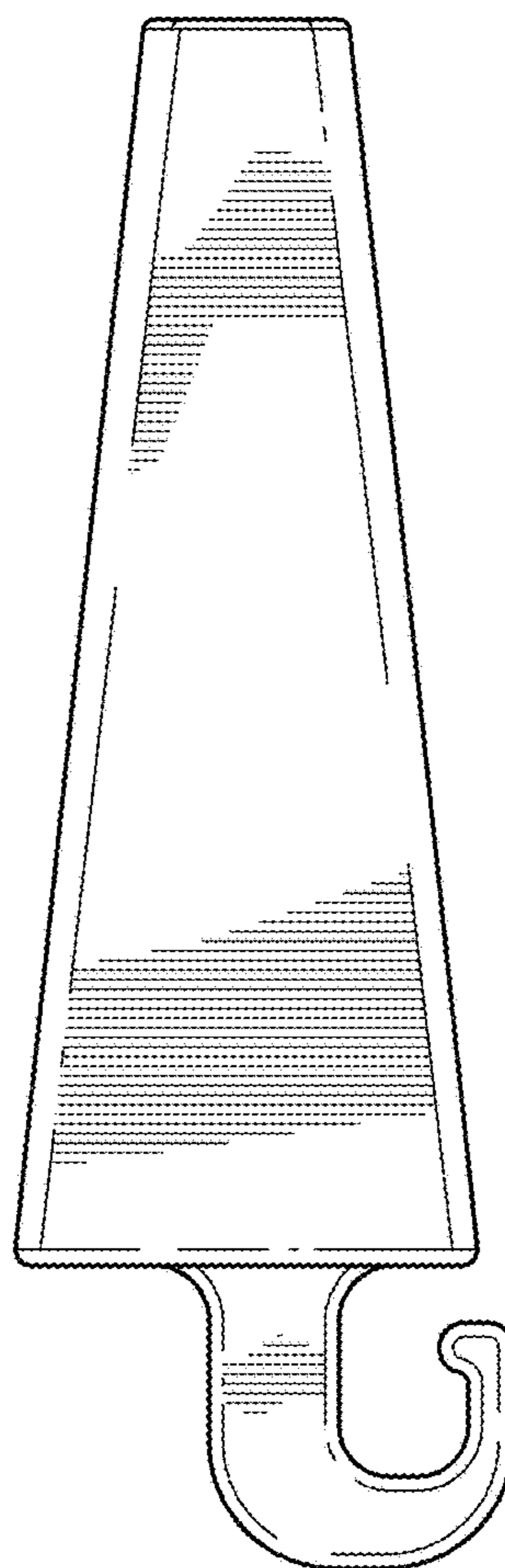


FIG. 3

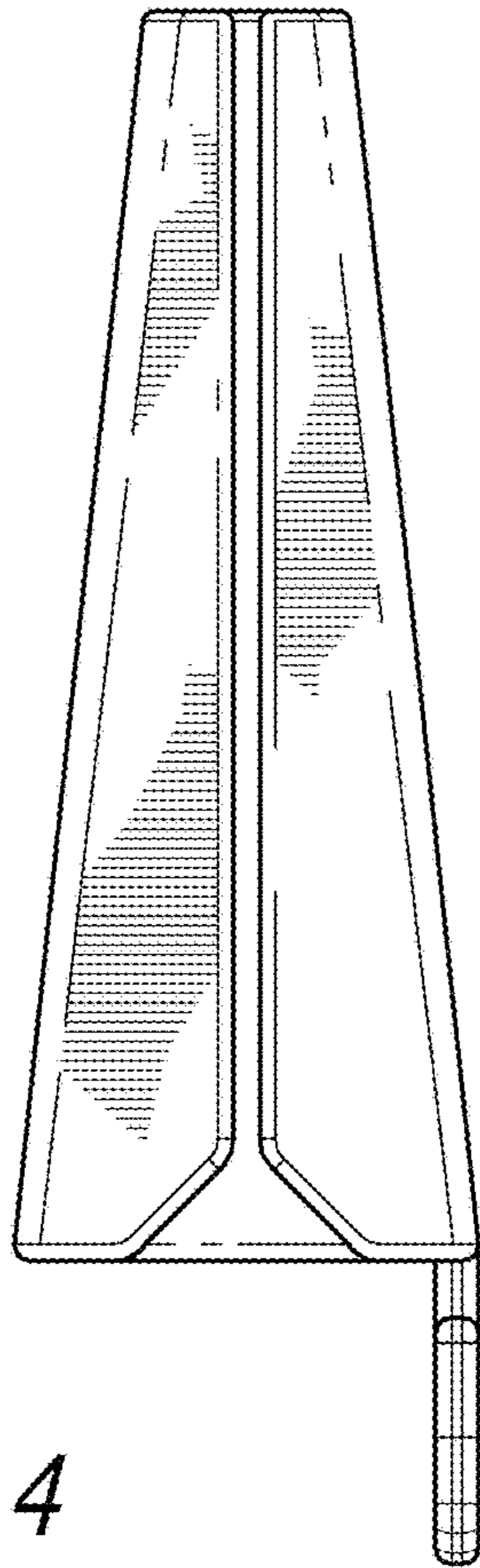


FIG. 4

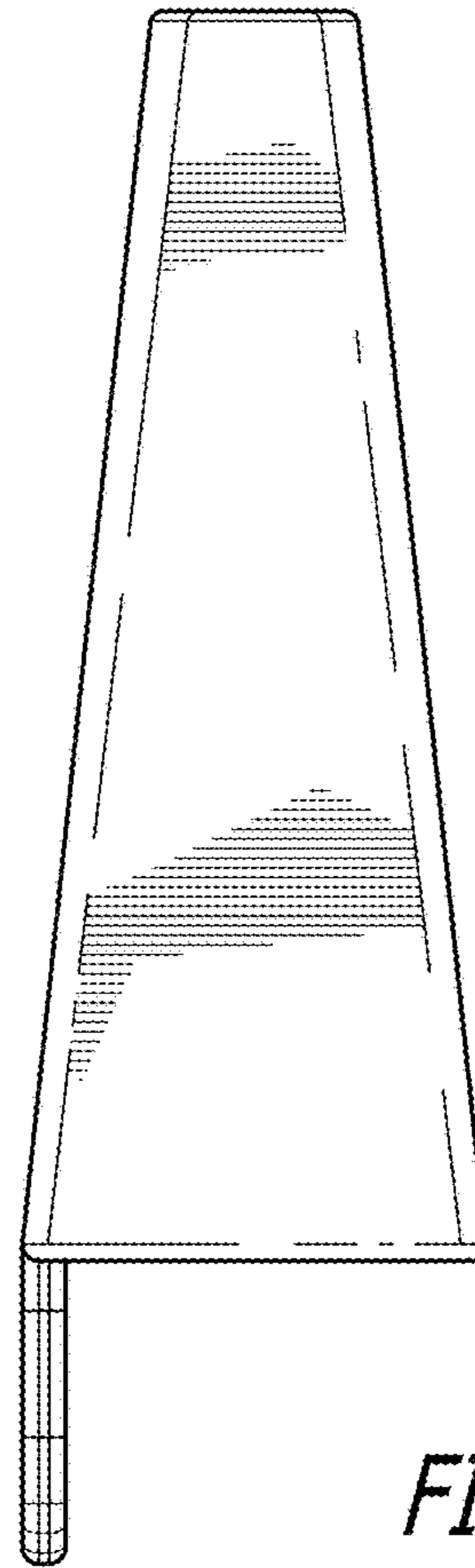


FIG. 5

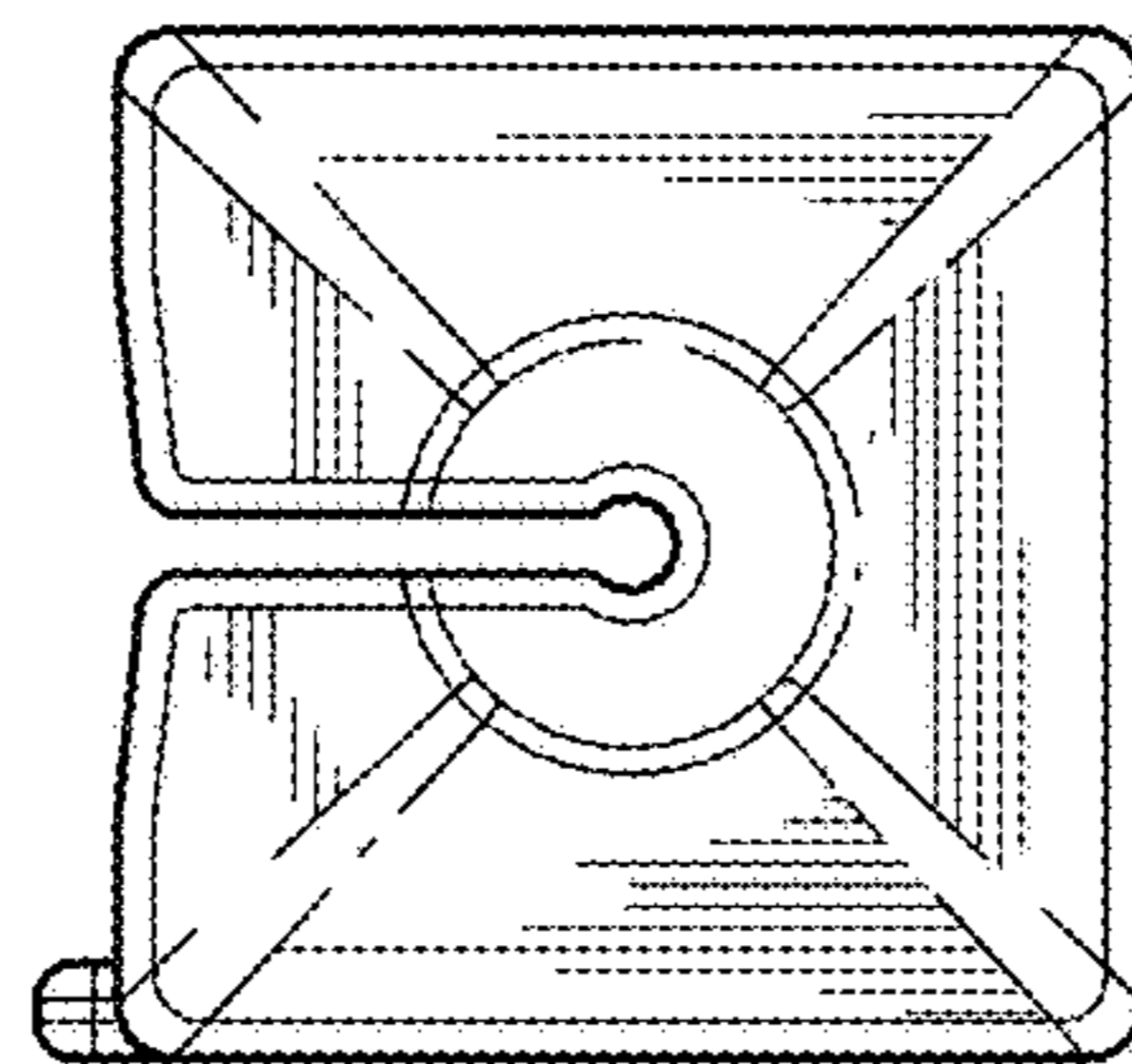


FIG. 6

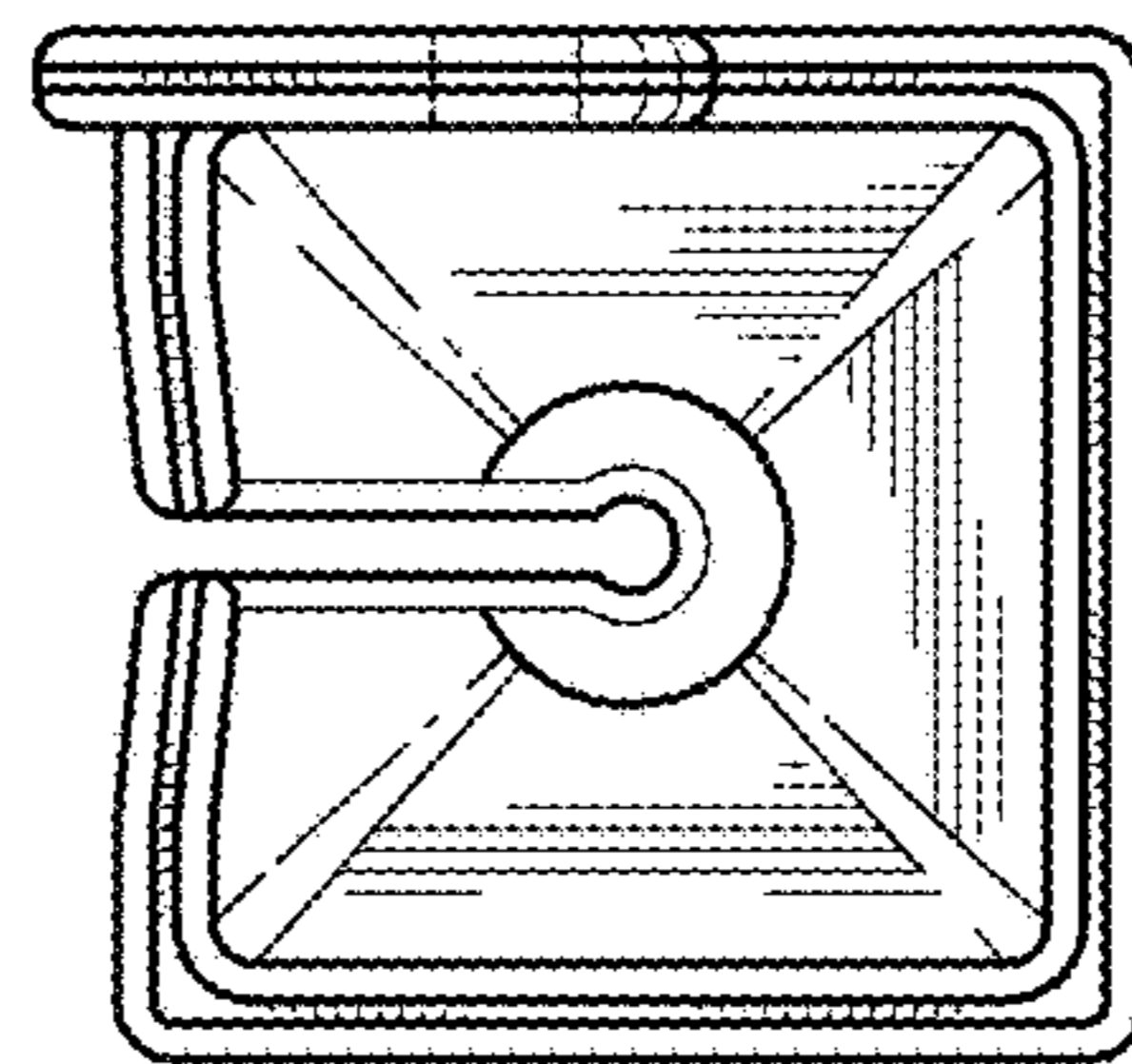


FIG. 7

FIG. 8

