



US00D842962S

(12) **United States Design Patent**  
**Liu**

(10) **Patent No.:** **US D842,962 S**  
(45) **Date of Patent:** **\*\* Mar. 12, 2019**

(54) **ULTRASONIC RODENT REPELLER**

(71) Applicant: **Yu-Chen Liu**, Guangdong (CN)

(72) Inventor: **Yu-Chen Liu**, Guangdong (CN)

(73) Assignee: **Handle Tech (SZ) Co., Ltd.**, Shenzhen (CN)

(\*\*) Term: **15 Years**

(21) Appl. No.: **29/632,779**

(22) Filed: **Jan. 10, 2018**

(30) **Foreign Application Priority Data**

Sep. 29, 2017 (CN) ..... 2017 3 0468252

(51) **LOC (11) Cl.** ..... **22-06**

(52) **U.S. Cl.**  
USPC ..... **D22/120**

(58) **Field of Classification Search**  
USPC .... D22/119-124; 43/111-113, 124, 129, 13,  
43/132.1, 144; D23/366-369  
CPC ..... A01M 1/04; A01M 1/145  
See application file for complete search history.

(56) **References Cited**

**U.S. PATENT DOCUMENTS**

D458,334 S \* 6/2002 Levine ..... D22/120  
D469,149 S \* 1/2003 Levine ..... D22/120

D640,810 S \* 6/2011 Weiser ..... D22/120  
D732,654 S \* 6/2015 Hsiao ..... D23/366  
D779,026 S \* 2/2017 Hou ..... D22/120  
D780,878 S \* 3/2017 Zhang ..... D22/120  
D797,883 S \* 9/2017 Dalmau Arnal ..... D22/122  
D829,848 S \* 10/2018 Gu ..... D22/120  
D831,781 S \* 10/2018 Zhao ..... D22/120  
D831,813 S \* 10/2018 Davis ..... D23/366  
D833,568 S \* 11/2018 Long ..... D22/122

\* cited by examiner

*Primary Examiner* — Catherine R Oliver-Garcia

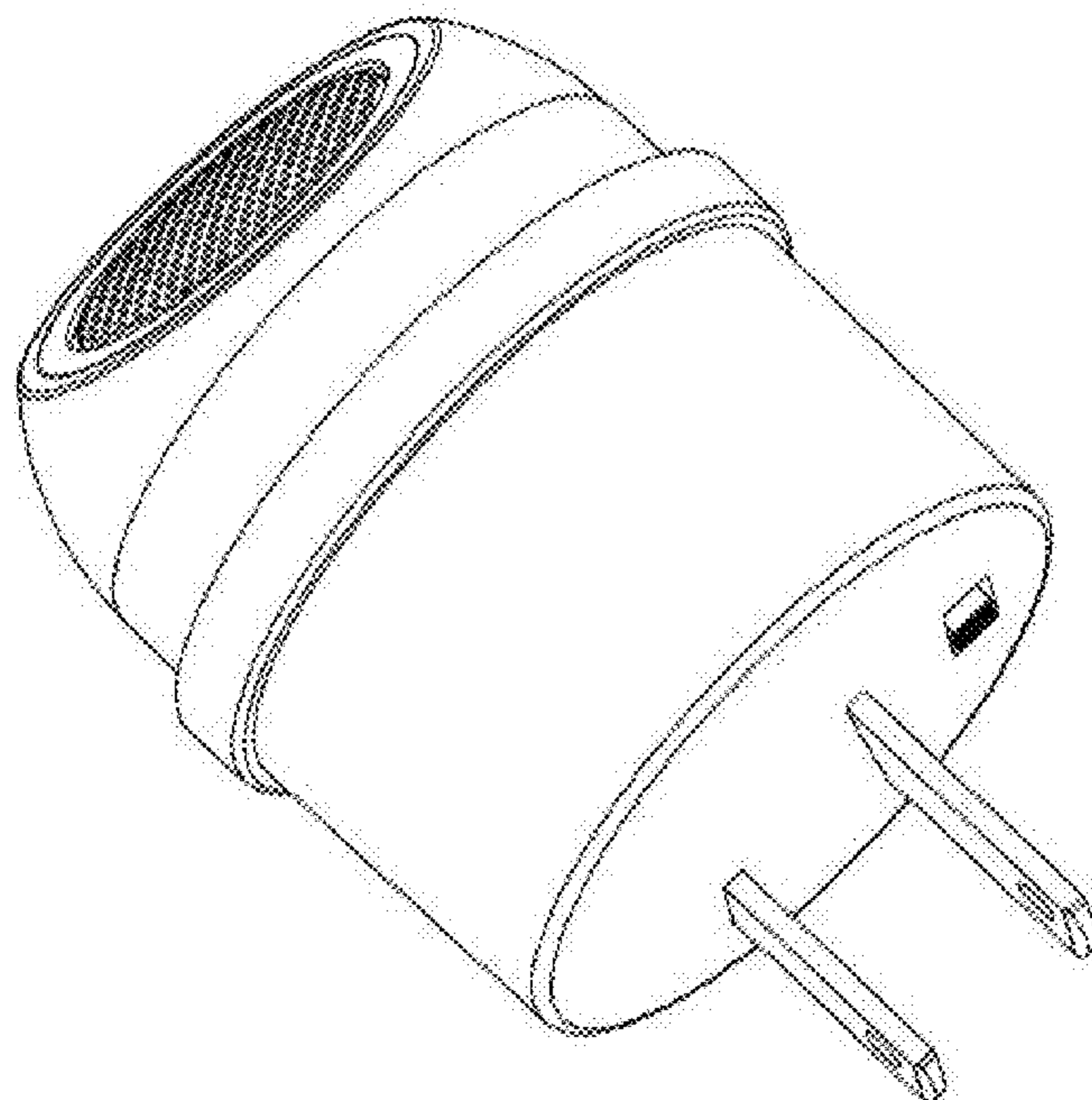
(57) **CLAIM**

The ornamental design for an ultrasonic rodent repeller, as shown and described.

**DESCRIPTION**

FIG. 1 is a perspective view of an ultrasonic rodent repeller showing my new design;  
FIG. 2 is a front elevational view thereof;  
FIG. 3 is a rear elevational view thereof;  
FIG. 4 is a left side view thereof;  
FIG. 5 is a right side view thereof;  
FIG. 6 is a top plan view thereof; and,  
FIG. 7 is a bottom plan view thereof.

**1 Claim, 7 Drawing Sheets**



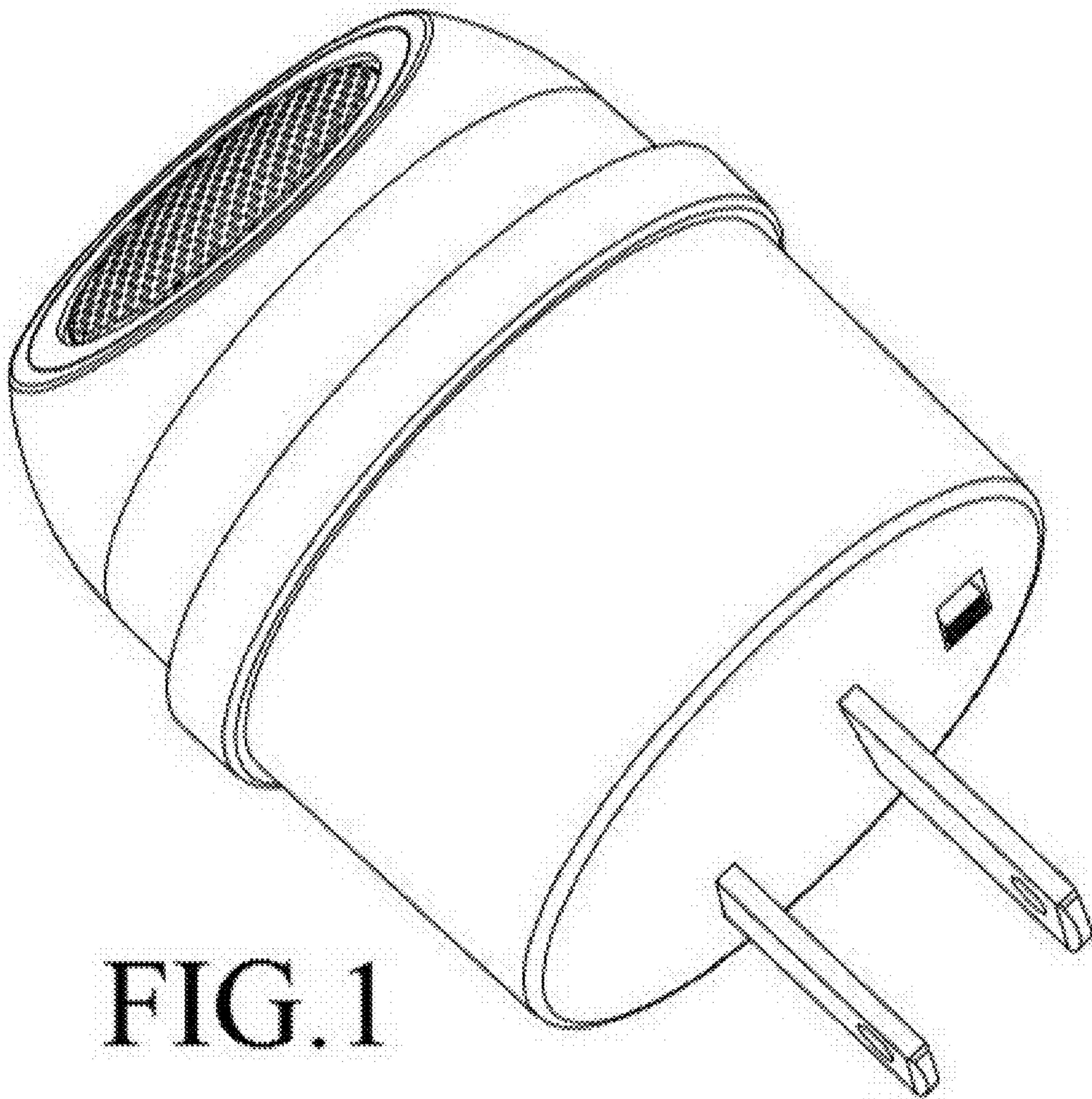


FIG. 1

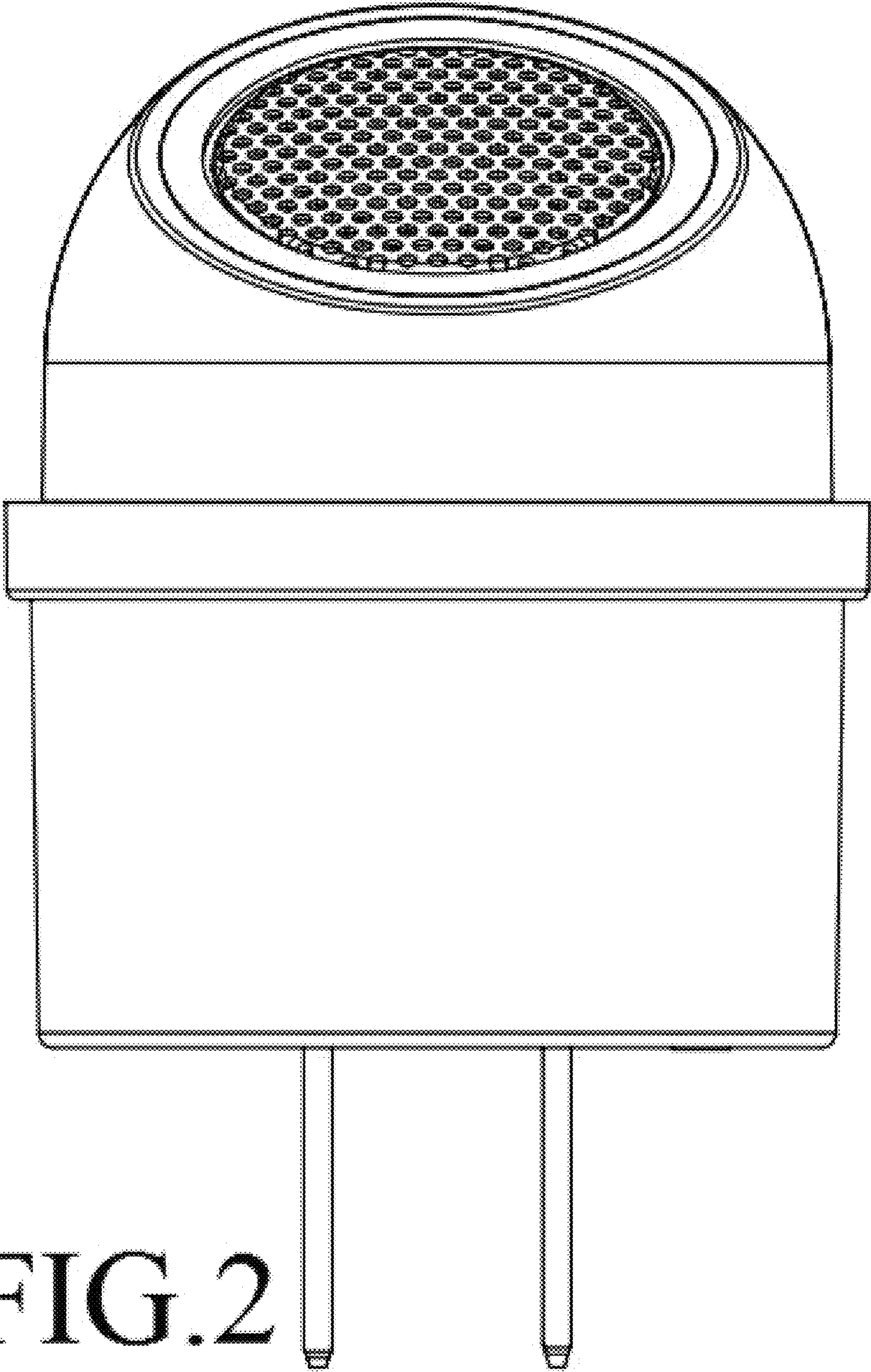


FIG. 2

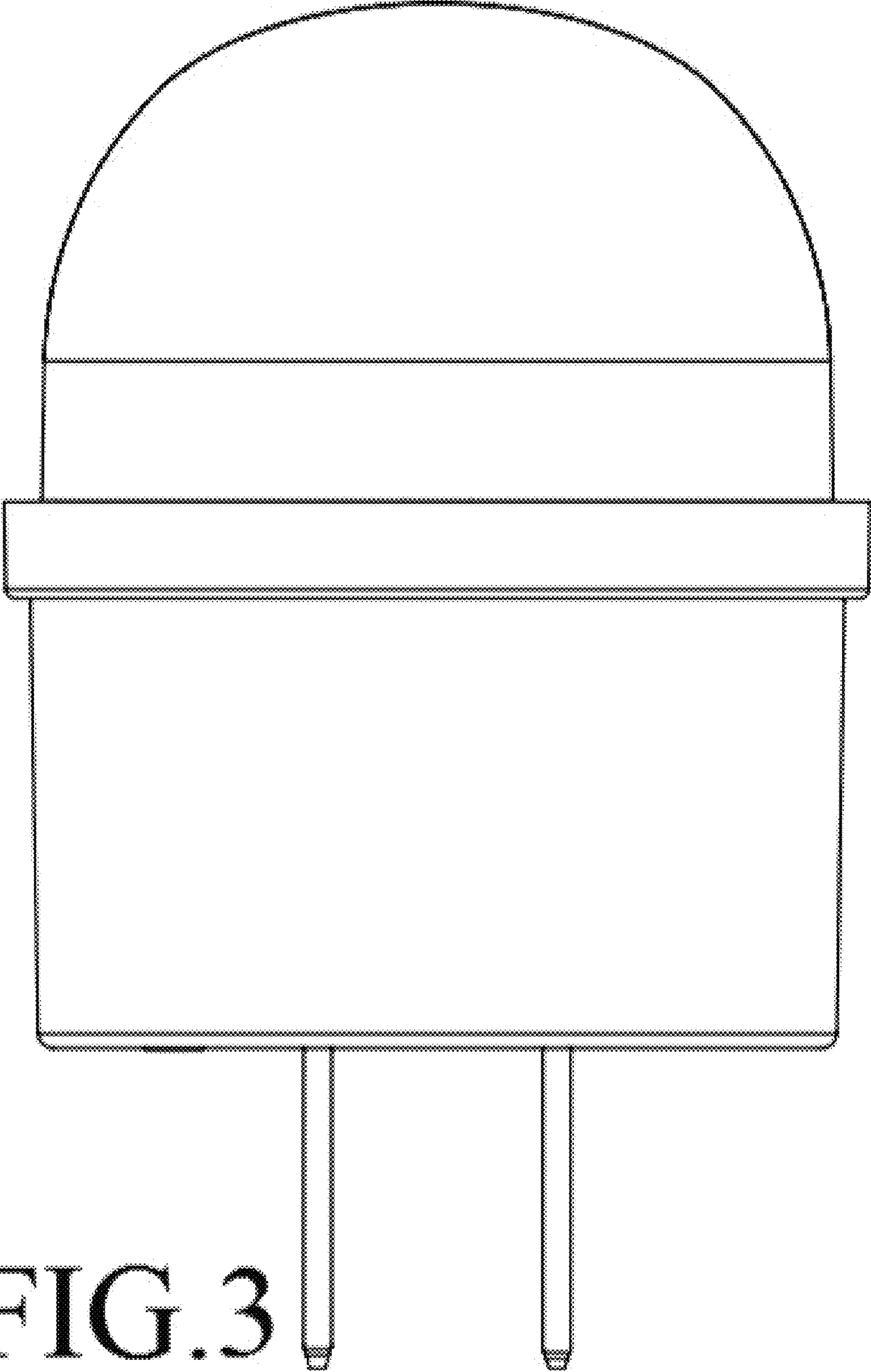


FIG. 3

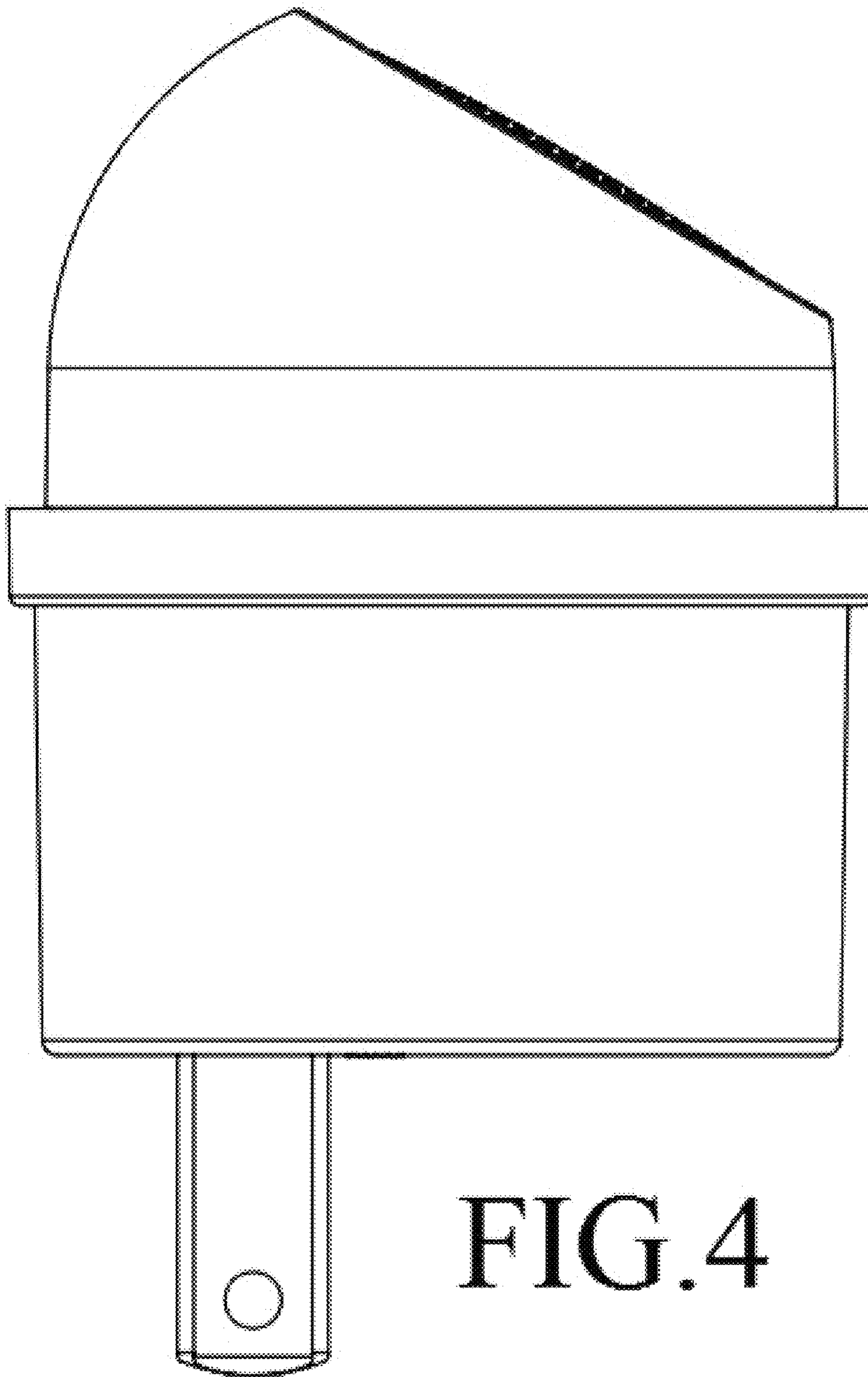


FIG. 4

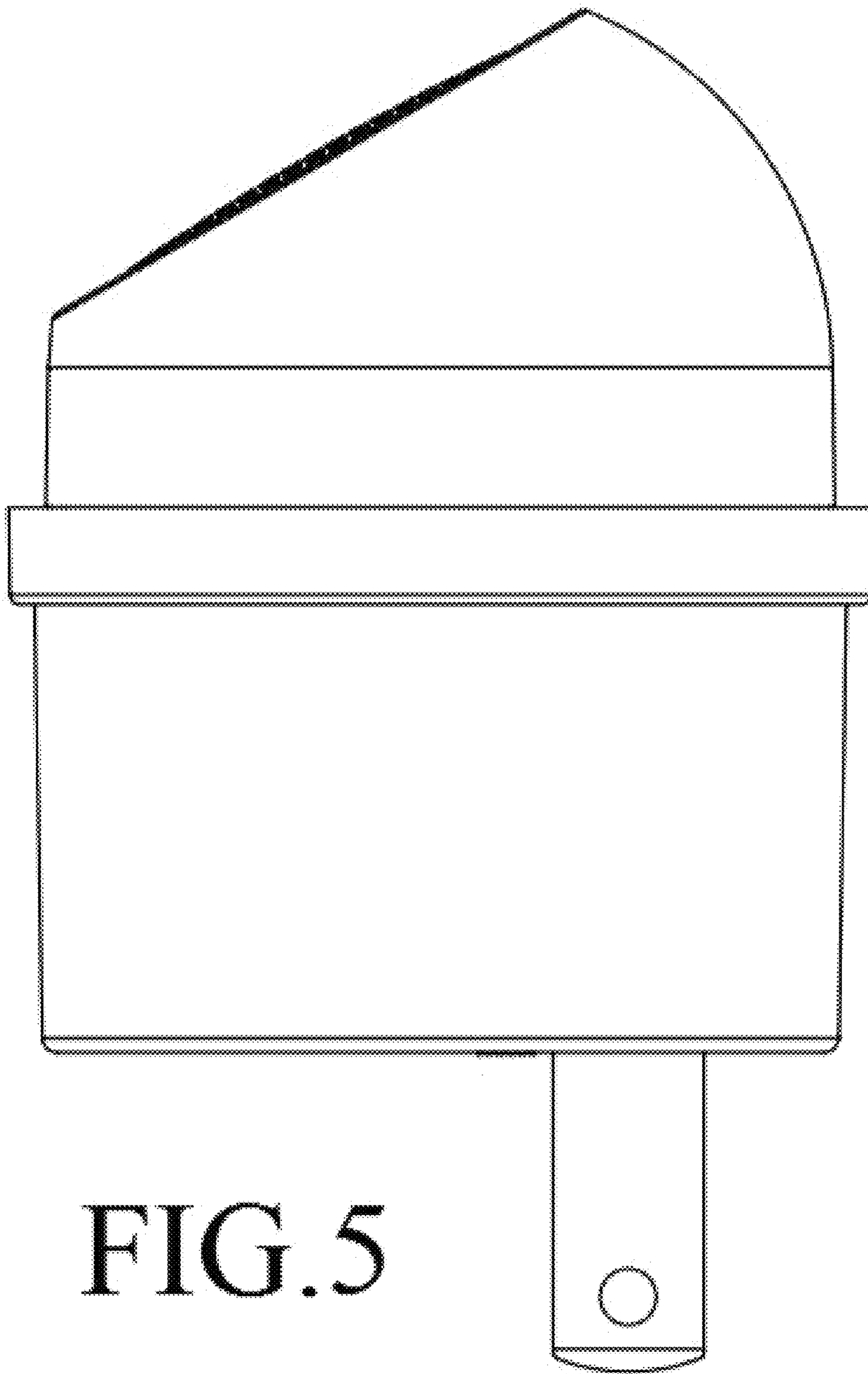


FIG. 5

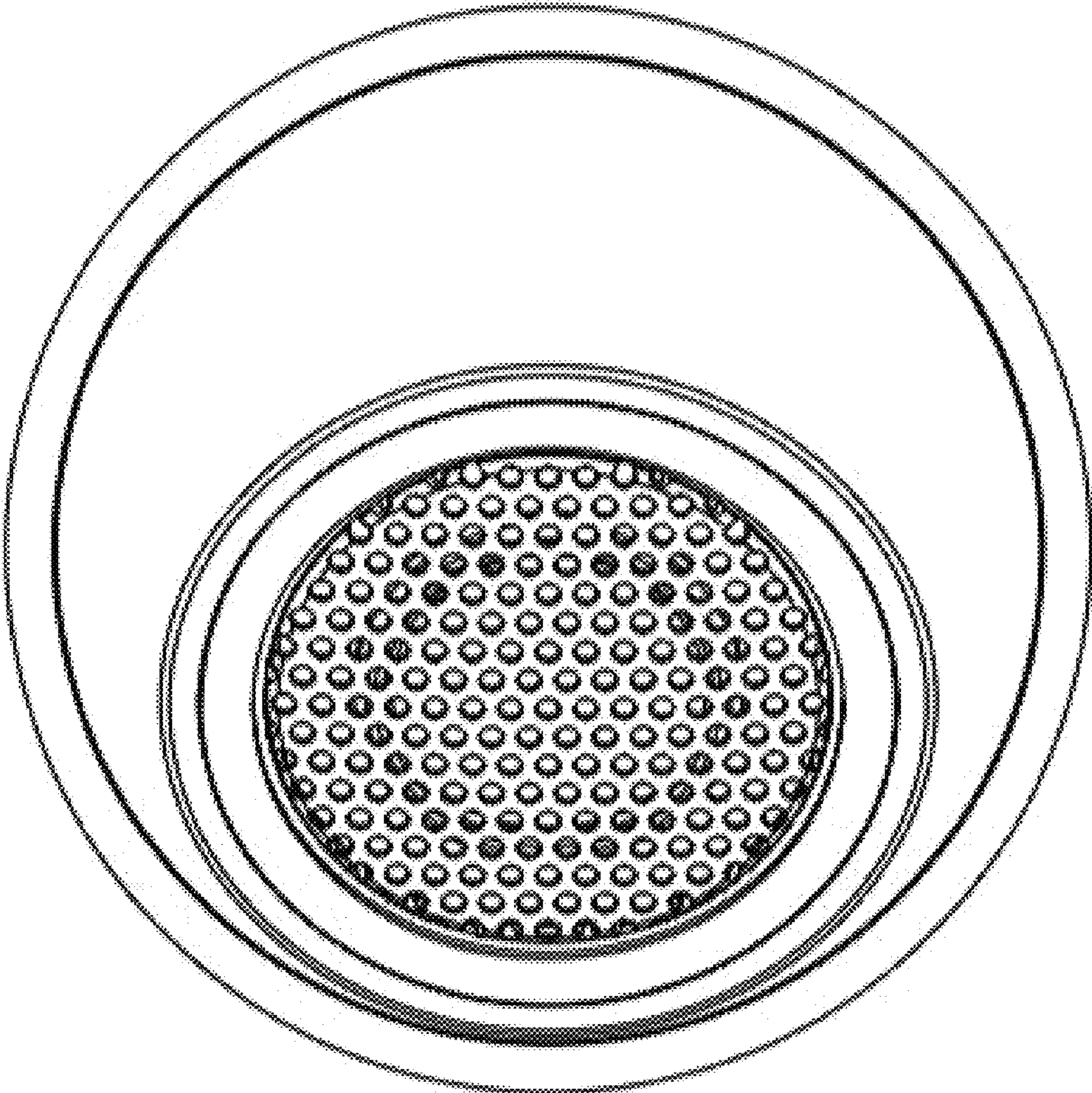


FIG. 6

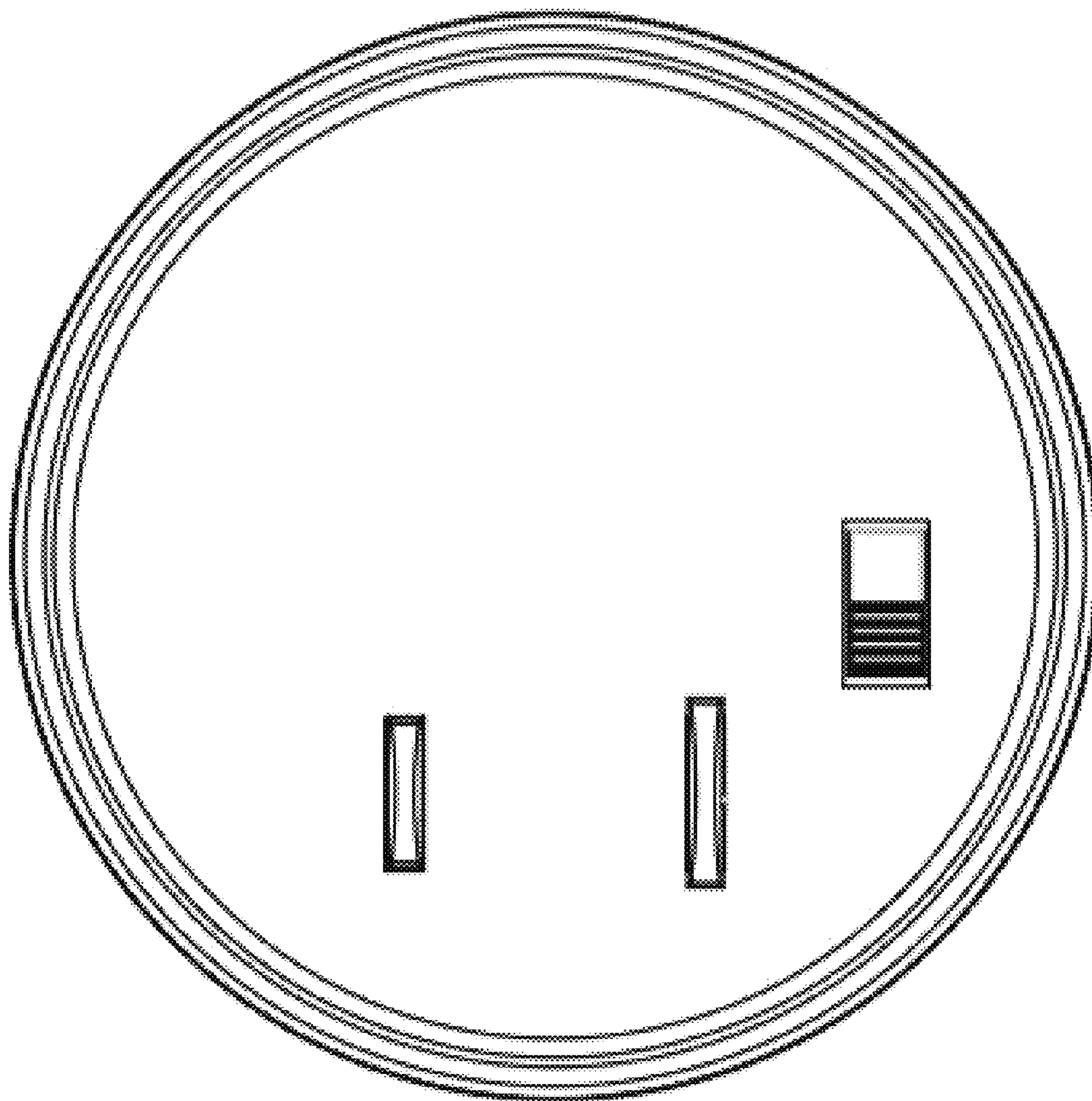


FIG. 7