



US00D842961S

(12) **United States Design Patent**
Boydd

(10) **Patent No.:** **US D842,961 S**

(45) **Date of Patent:** **** Mar. 12, 2019**

- (54) **HEXAGON POLICE NIGHT STICK**
- (71) Applicant: **James Boydd**, Riverside, CA (US)
- (72) Inventor: **James Boydd**, Riverside, CA (US)
- (**) Term: **15 Years**
- (21) Appl. No.: **29/628,234**
- (22) Filed: **Dec. 3, 2017**
- (51) **LOC (11) Cl.** **22-02**
- (52) **U.S. Cl.**
USPC **D22/117**
- (58) **Field of Classification Search**
USPC D22/117; 16/900; D9/680; 463/47.2
CPC F41B 13/04; F41B 15/00; F41B 15/02;
F21V 33/0064
See application file for complete search history.

D483,432 S *	12/2003	Parsons	D22/117
D520,593 S *	5/2006	Anderson	D22/117
D520,733 S *	5/2006	Siteman	D22/117
D532,859 S *	11/2006	Stethem	D22/117
D668,313 S *	10/2012	Bushee	D22/117
D673,639 S *	1/2013	Gonzalez	D22/117
D761,468 S *	7/2016	Cheng	D22/117
D778,396 S *	2/2017	Stethem	D22/117

OTHER PUBLICATIONS

Kombativ, Machined Aluminum Combat Escrima, www.kombativ.com/machined-aluminum-combat-escrima (Year: 2018).*

* cited by examiner

Primary Examiner — Catherine R Oliver-Garcia
(74) *Attorney, Agent, or Firm* — Grant's Law Firm; Allan Grant

(57) **CLAIM**

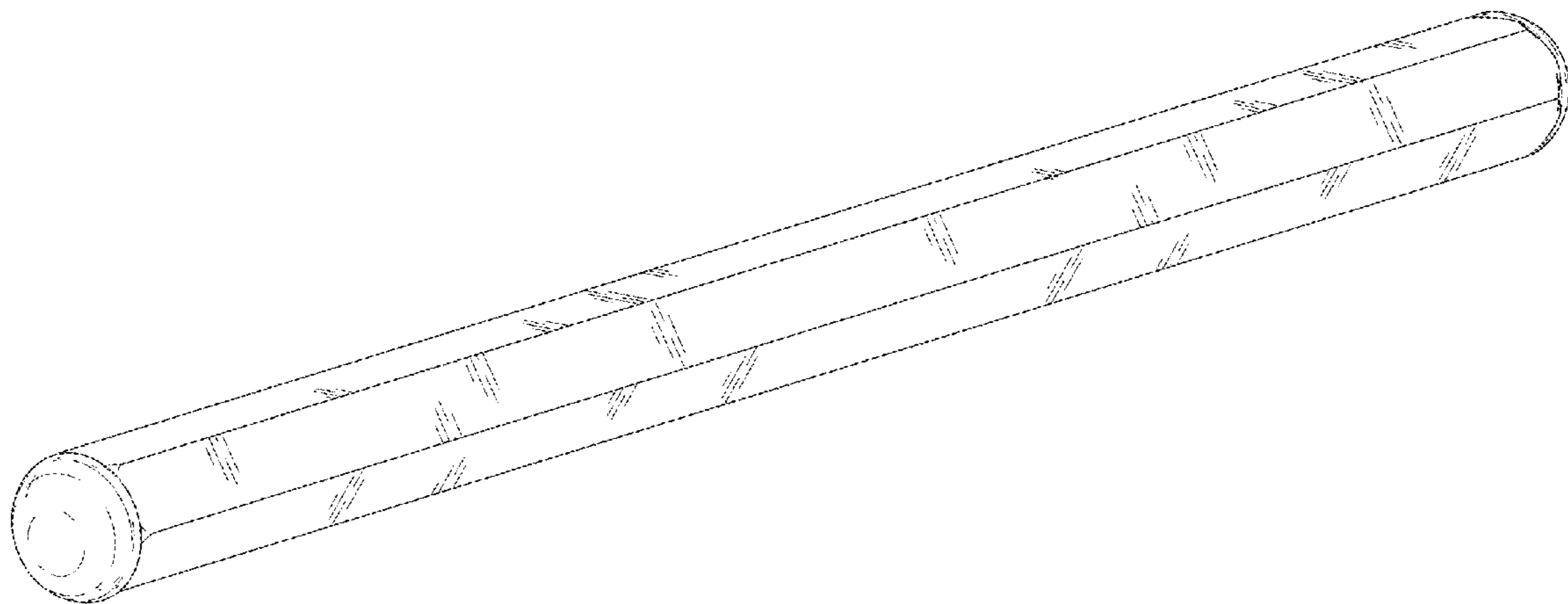
I claim the ornamental design for a hexagon police night stick, as shown and as described.

DESCRIPTION

FIG. 1 is a perspective view of the hexagon police night stick.
 FIG. 2 is the front view of the hexagon police night stick.
 FIG. 3 is a back view of the hexagon police night stick.
 FIG. 4 is a side view of the hexagon police night stick.
 FIG. 5 is the other side view of the hexagon police night stick.
 FIG. 6 is a top view of the hexagon police night stick; and,
 FIG. 7 is bottom view of the hexagon police night stick.

1 Claim, 2 Drawing Sheets

- (56) **References Cited**
U.S. PATENT DOCUMENTS
441,042 A * 11/1890 Underwook et al. ... F41B 15/02
463/47.2
1,490,651 A * 4/1924 Waldorf F41B 15/02
463/47.2
3,944,226 A * 3/1976 Starrett F41B 15/02
463/47.2
D315,392 S * 3/1991 Lew D22/117
5,060,123 A * 10/1991 Arnold F21V 33/0064
362/102
6,398,653 B1 * 6/2002 Chang F41B 15/02
16/900



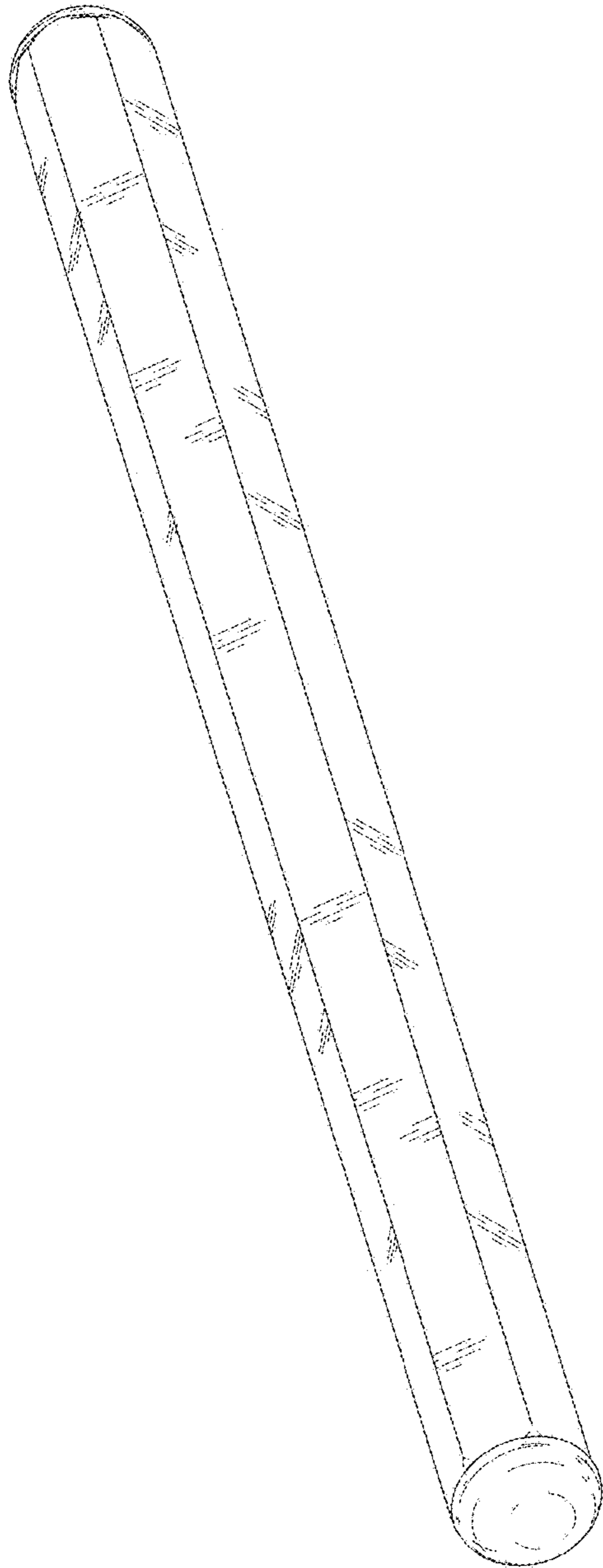


Fig. 1

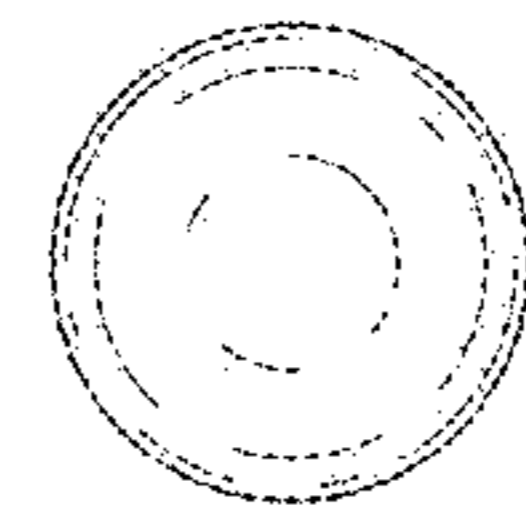


Fig. 2

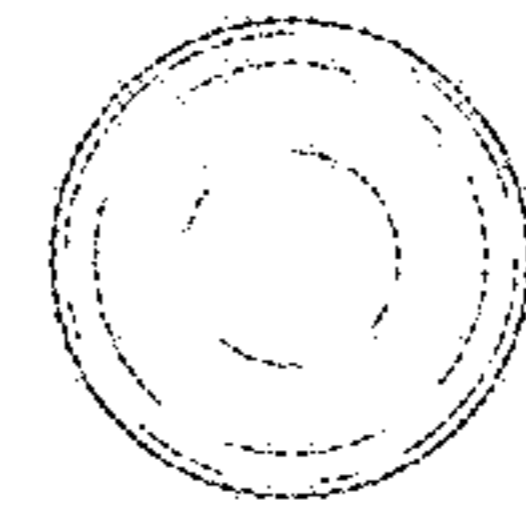


Fig. 3

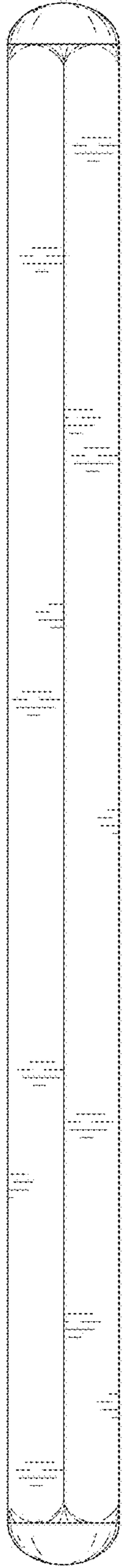


Fig. 4

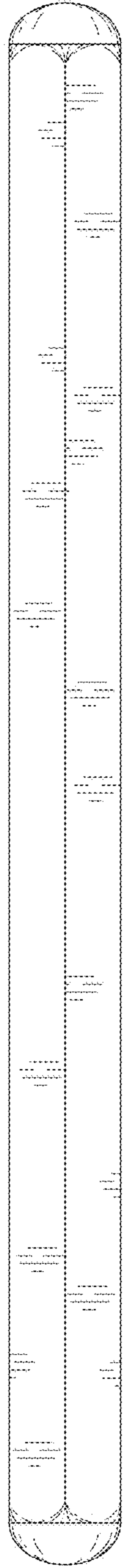


Fig. 5

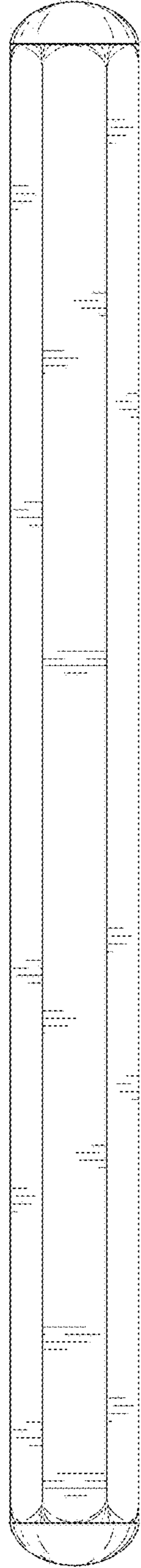


Fig. 6

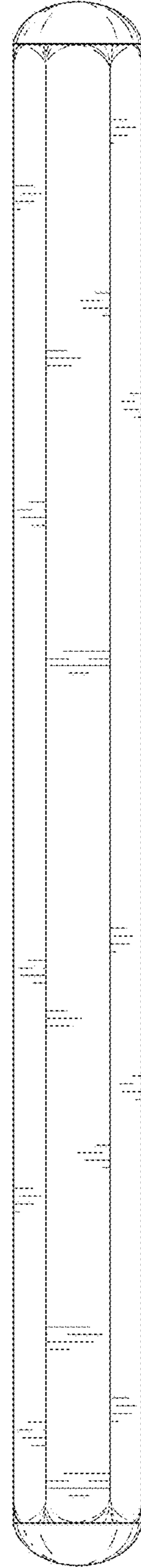


Fig. 7