



US00D842960S

(12) **United States Design Patent**
Liu

(10) **Patent No.:** **US D842,960 S**

(45) **Date of Patent:** **** Mar. 12, 2019**

(54) **MUZZLE BRAKE**

(71) Applicant: **Daniel Liu**, Pearland, TX (US)

(72) Inventor: **Daniel Liu**, Pearland, TX (US)

(**) Term: **15 Years**

(21) Appl. No.: **29/631,690**

(22) Filed: **Jan. 2, 2018**

(51) **LOC (11) Cl.** **22-01**

(52) **U.S. Cl.**
USPC **D22/108**

(58) **Field of Classification Search**
USPC D22/103, 108, 199; D21/572-575
CPC F41A 21/28; F41A 21/32; F41A 21/34;
F41A 21/36; F41A 21/325
See application file for complete search history.

(56) **References Cited**

U.S. PATENT DOCUMENTS

D296,350 S *	6/1988	Cellini	89/14.3
D515,169 S *	2/2006	Bounds	D22/108
7,032,339 B1 *	4/2006	Bounds	F41A 21/36 42/1.06
D692,086 S *	10/2013	Nierenberg	D22/108
D711,491 S *	8/2014	Nierenberg	D22/108
D716,408 S *	10/2014	Oglesby	D22/108
D737,922 S *	9/2015	Pace	D22/108
D747,429 S *	1/2016	Larson, Jr.	D22/108
D763,395 S *	8/2016	Joplin	D22/108

D765,209 S *	8/2016	Sui	D22/108
D765,210 S *	8/2016	Sui	D22/108
D767,074 S *	9/2016	Sui	D22/108
D787,622 S *	5/2017	Geissele	B25B 13/48 D22/108

2016/0169606 A1 *	6/2016	Joplin	F41A 21/36 42/1.06
2017/0343311 A1 *	11/2017	Deros	F41A 21/34

* cited by examiner

Primary Examiner — Karen S Acker

Assistant Examiner — Steven B Reinholdt, Jr.

(74) *Attorney, Agent, or Firm* — Dunlap Bennett & Ludwig PLLC

(57) **CLAIM**

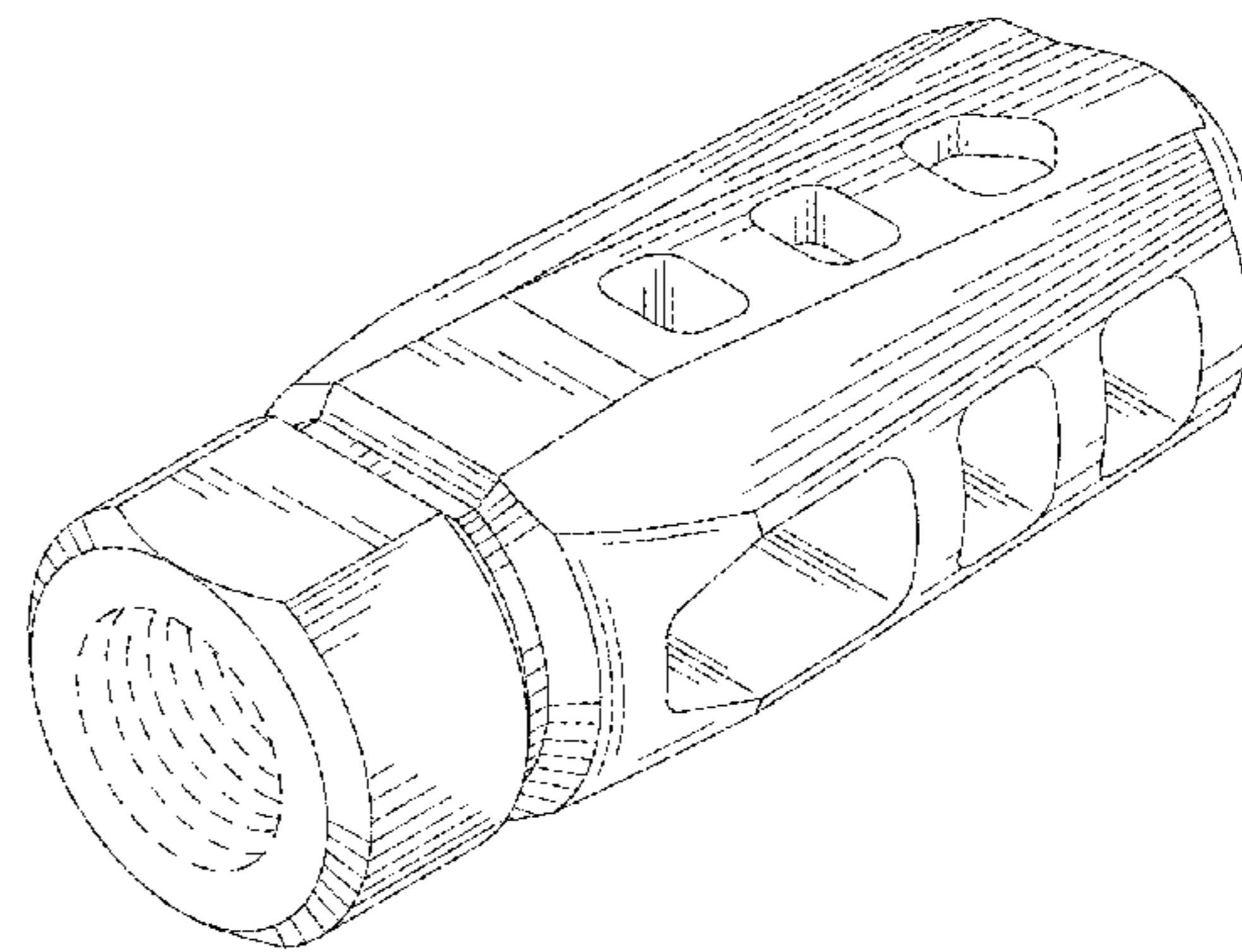
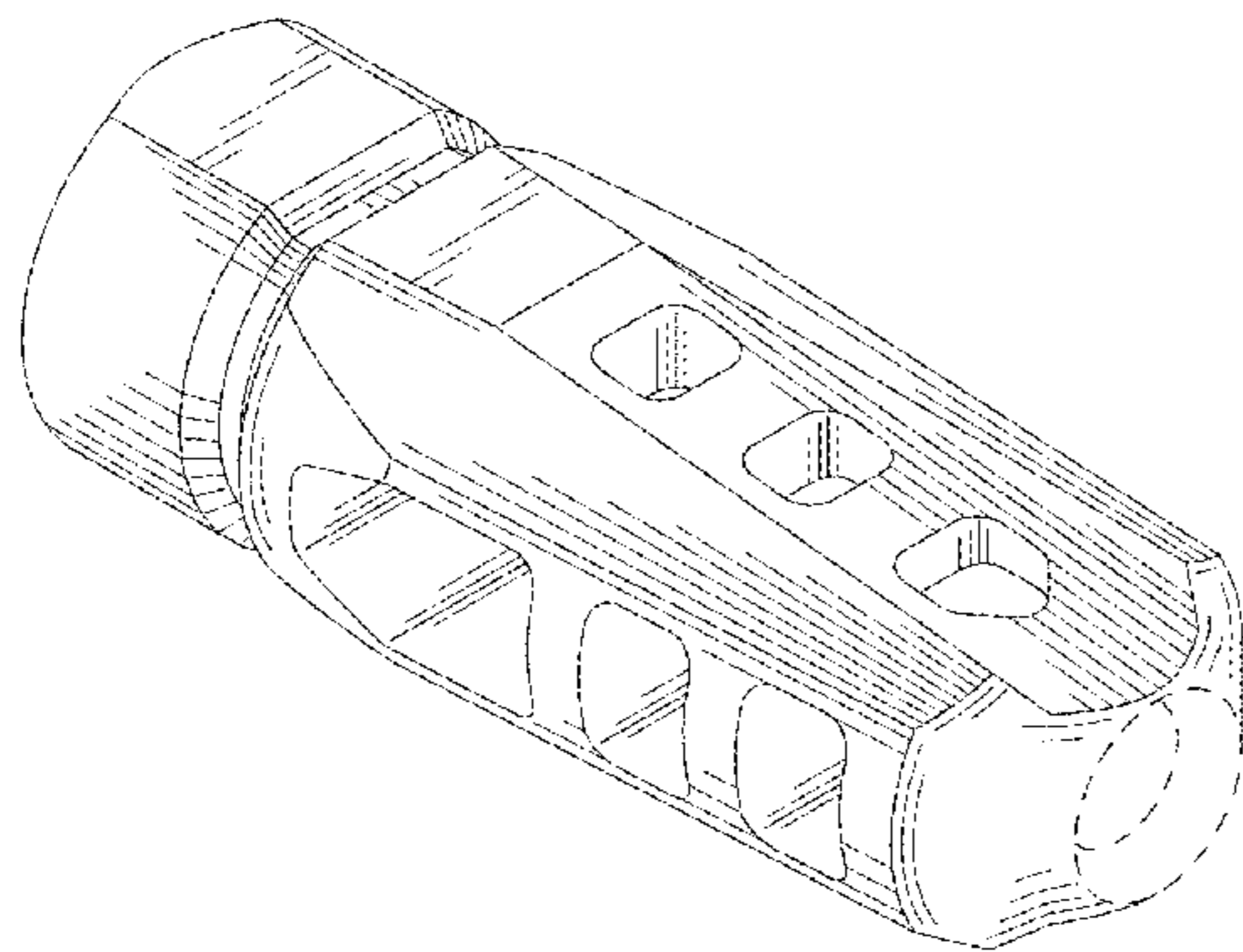
The ornamental design for a muzzle brake, as shown and described.

DESCRIPTION

FIG. 1 is a top front perspective view of a muzzle brake; FIG. 2 is a top rear perspective view thereof; FIG. 3 is a front elevation view thereof; FIG. 4 is a rear elevation view thereof; FIG. 5 is a right side elevation view thereof, the left side elevation view being a mirror image thereof; FIG. 6 is a top elevation view thereof; and, FIG. 7 is a bottom elevation view thereof.

The broken lines shown in the drawings depict portions of bore openings that form no part of the claimed invention.

1 Claim, 3 Drawing Sheets



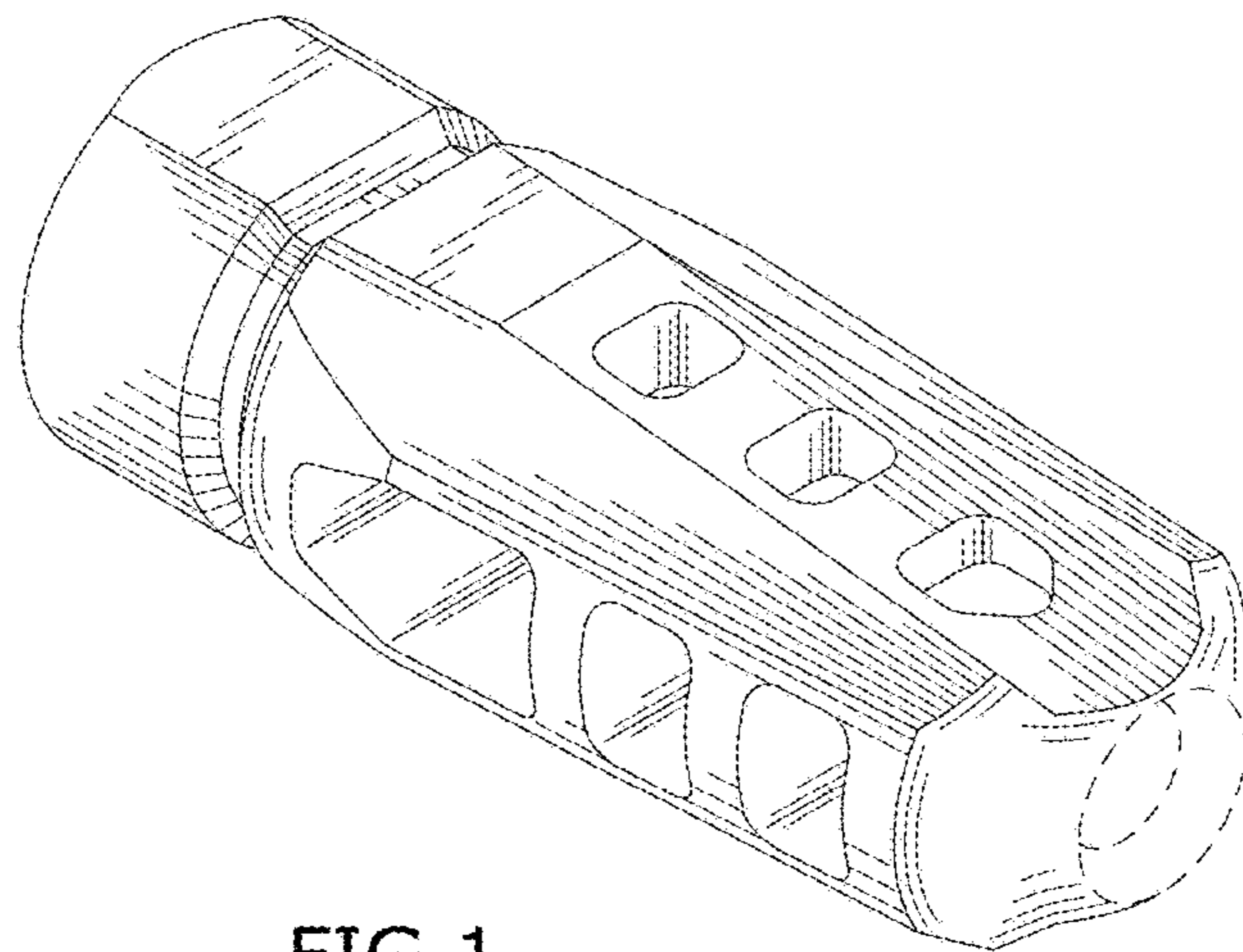


FIG. 1

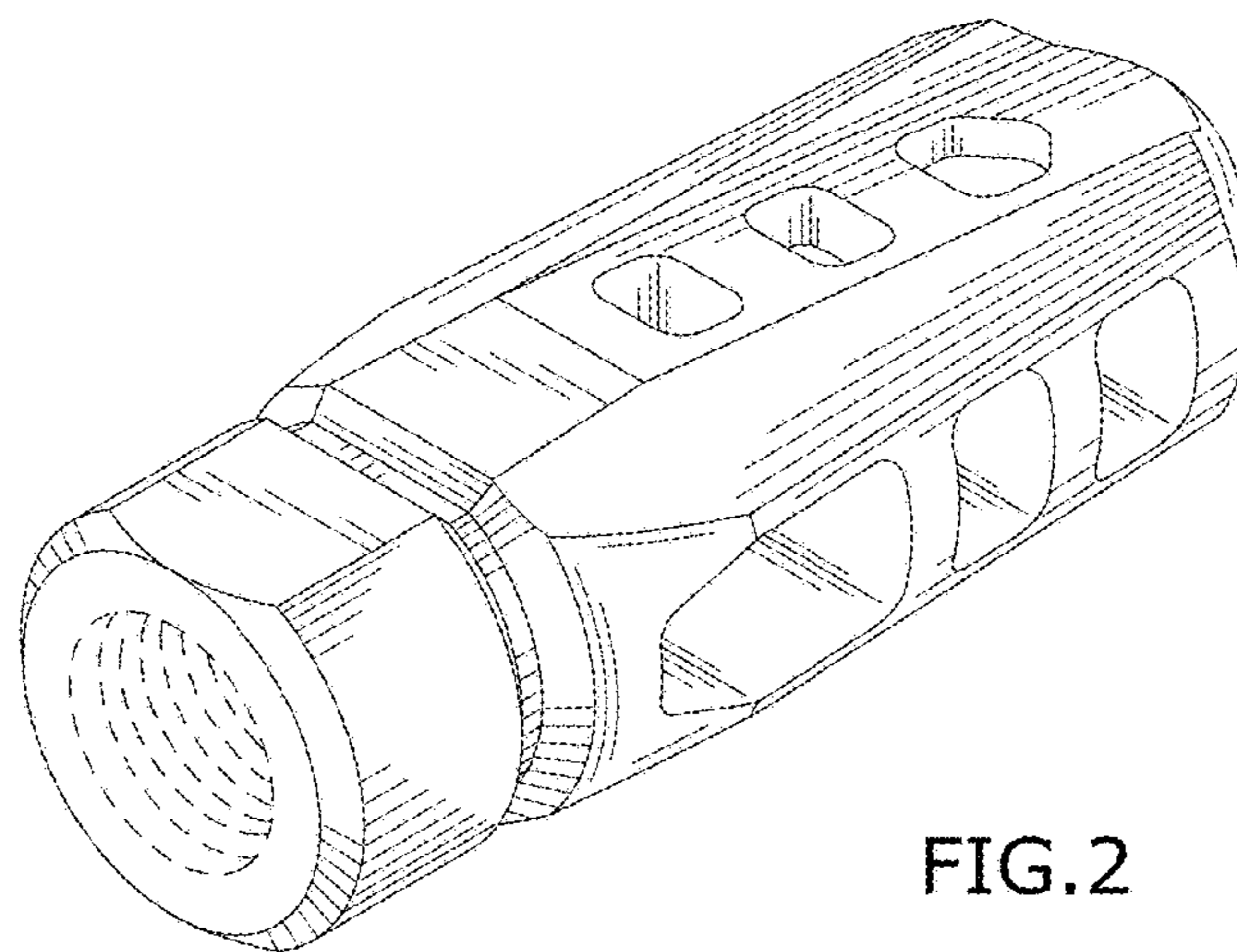


FIG. 2

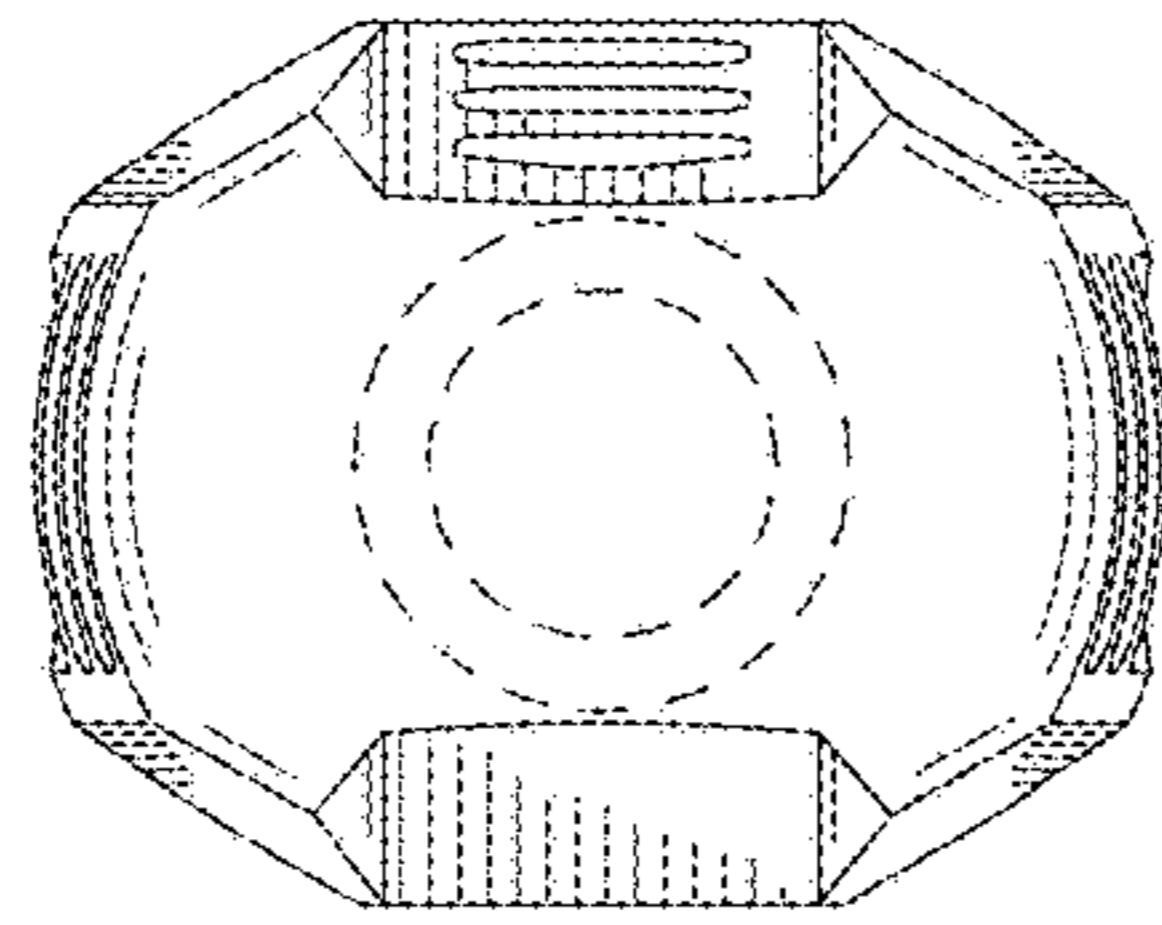


FIG. 3

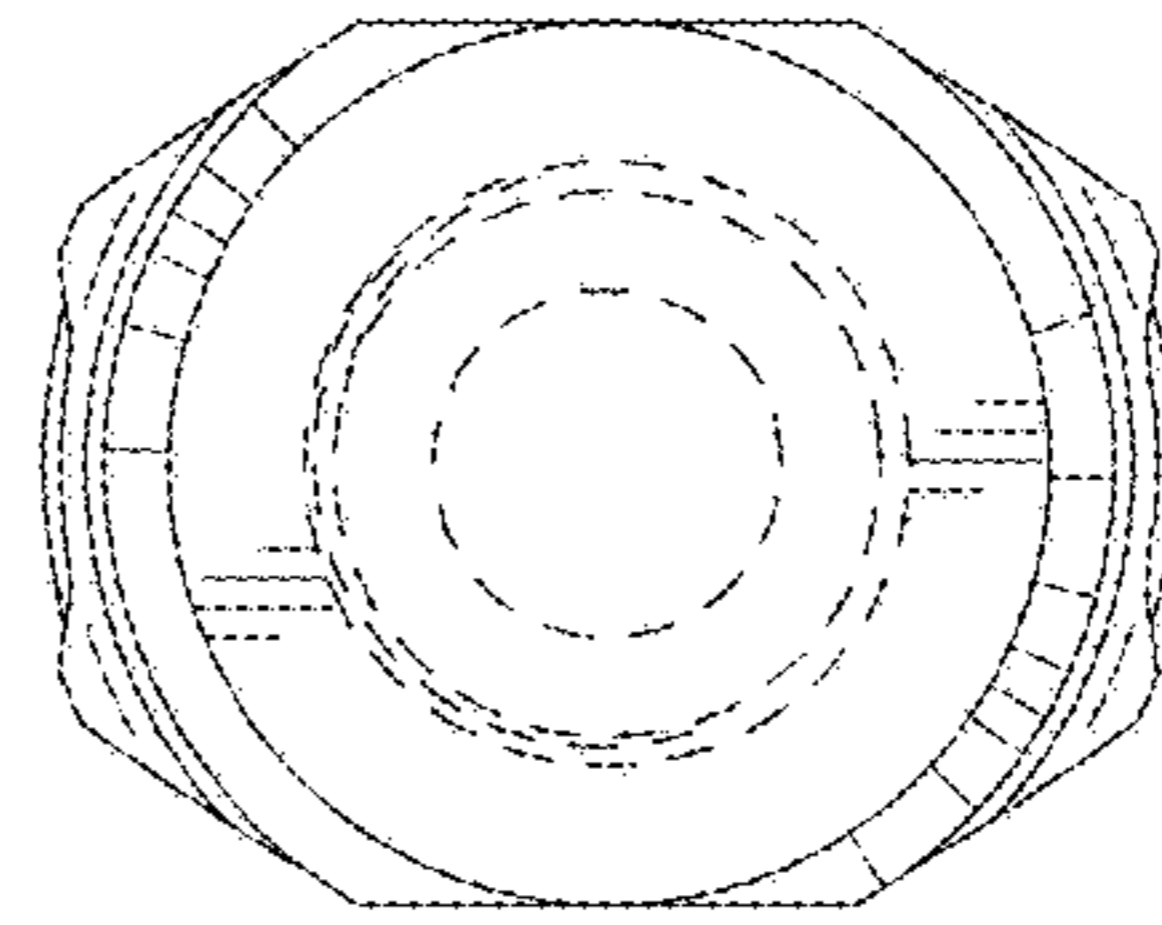


FIG. 4

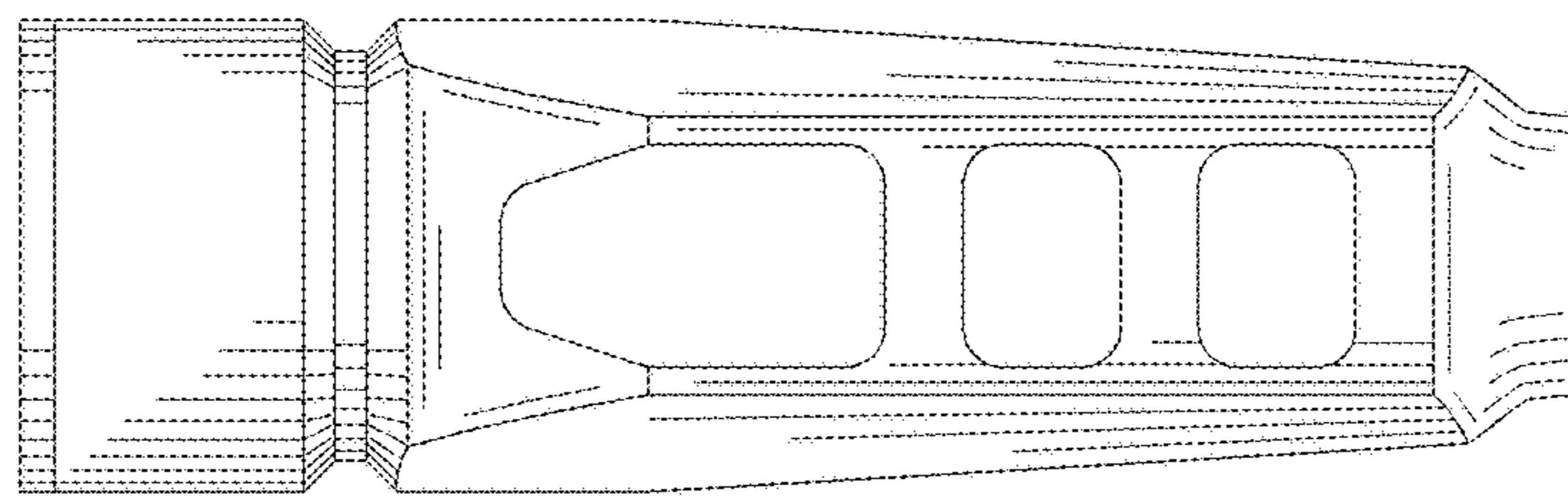


FIG. 5

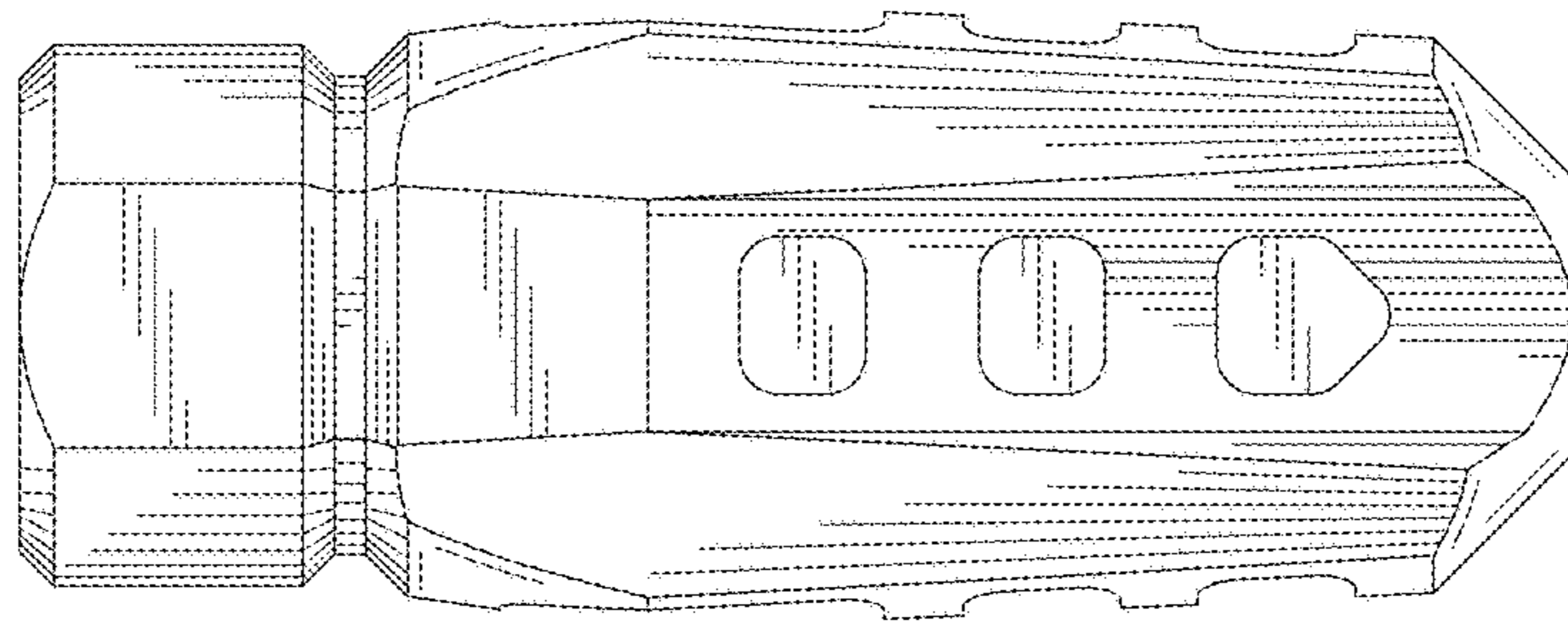


FIG. 6

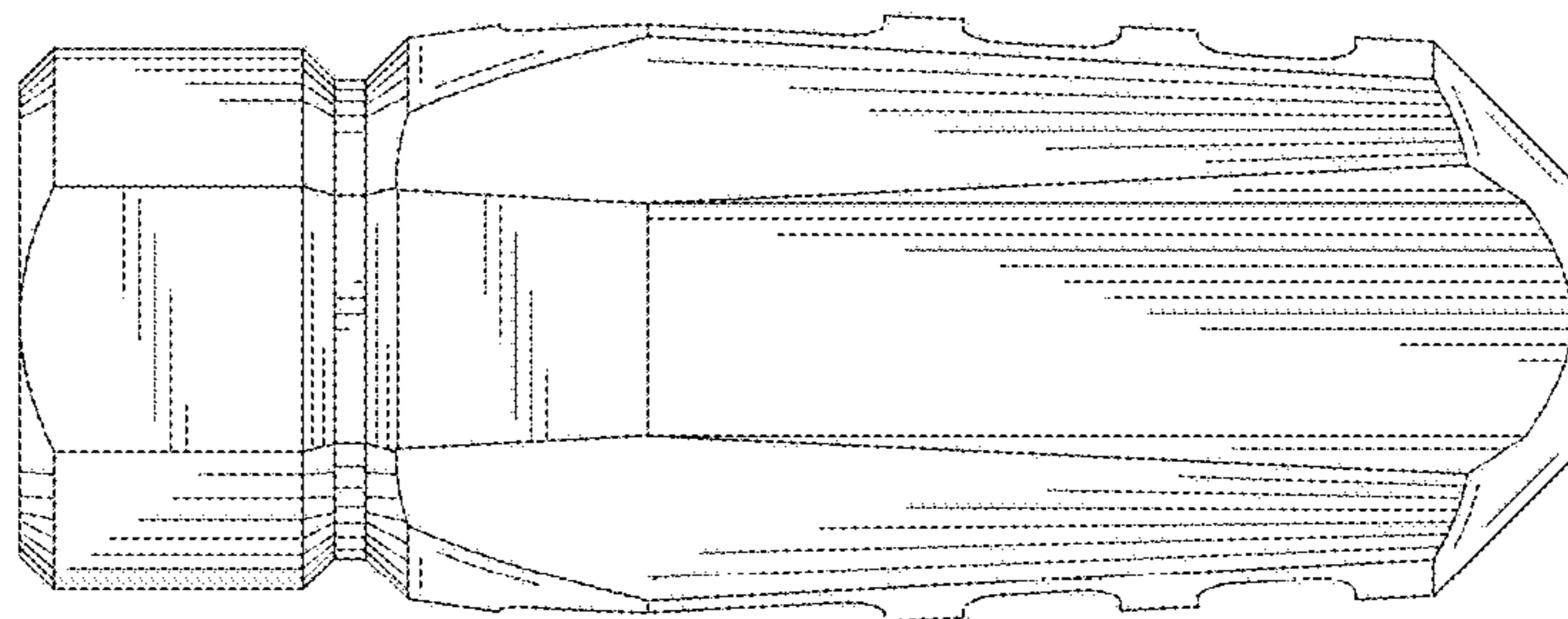


FIG. 7