

US00D842959S

(12) **United States Design Patent**
Choi

(10) **Patent No.:** **US D842,959 S**

(45) **Date of Patent:** **** Mar. 12, 2019**

(54) **OFF-GROUND TENT WITH ARCHED AND SLOPED CEILING**

(71) Applicant: **Inno-Sports Co., Ltd.**, Xiamen (CN)

(72) Inventor: **Kwan Jun Choi**, Xiamen (CN)

(73) Assignee: **Inno-Sports Co., Ltd.**, Xiamen (CN)

(**) Term: **15 Years**

(21) Appl. No.: **29/628,694**

(22) Filed: **Dec. 6, 2017**

(30) **Foreign Application Priority Data**

Jun. 15, 2017 (CN) 2017 3 0245581

(51) **LOC (11) Cl.** **21-04**

(52) **U.S. Cl.**
USPC **D21/834**

(58) **Field of Classification Search**
USPC D21/834, 835, 836, 837, 838, 839, 840
CPC E04H 15/00; E04H 15/02; E04H 15/18;
E04H 15/28; E04H 15/32; E04H 15/34;
E04H 15/40; E04H 15/42; E04H 15/425;
E04H 15/50

See application file for complete search history.

(56) **References Cited**

U.S. PATENT DOCUMENTS

3,278,953 A * 10/1966 Willis E04H 15/06
5/113
3,601,825 A * 8/1971 Moorhead A47C 29/003
135/117
3,848,279 A * 11/1974 Ipsen, Jr. A47C 17/70
135/117

4,086,674 A * 5/1978 Chiaradonna A47C 7/66
135/115
4,914,768 A * 4/1990 Howard A47C 17/64
5/113
5,018,227 A * 5/1991 Canfield A47C 17/70
5/111
5,210,888 A * 5/1993 Canfield A47C 29/003
16/358
5,449,014 A * 9/1995 Yan-ho A47C 29/003
135/156
9,131,778 B2 * 9/2015 Jin A47C 17/72
2006/0266399 A1 * 11/2006 Ferrari E04H 15/38
135/96

* cited by examiner

Primary Examiner — Robin V Webster

Assistant Examiner — Keith J Wilson

(74) *Attorney, Agent, or Firm* — Morgan, Lewis & Bockius LLP

(57) **CLAIM**

I claim the ornamental design for an off ground tent with arched and sloped ceiling, as shown and described.

DESCRIPTION

FIG. 1 is a perspective view of my new design of an off-ground tent with arched and sloped ceiling in which the tent frame and the elements used to couple the tent cloth with the tent frame are disclaimed;

FIG. 2 is a front view of the design of FIG. 1;

FIG. 3 is a back view of the design of FIG. 1;

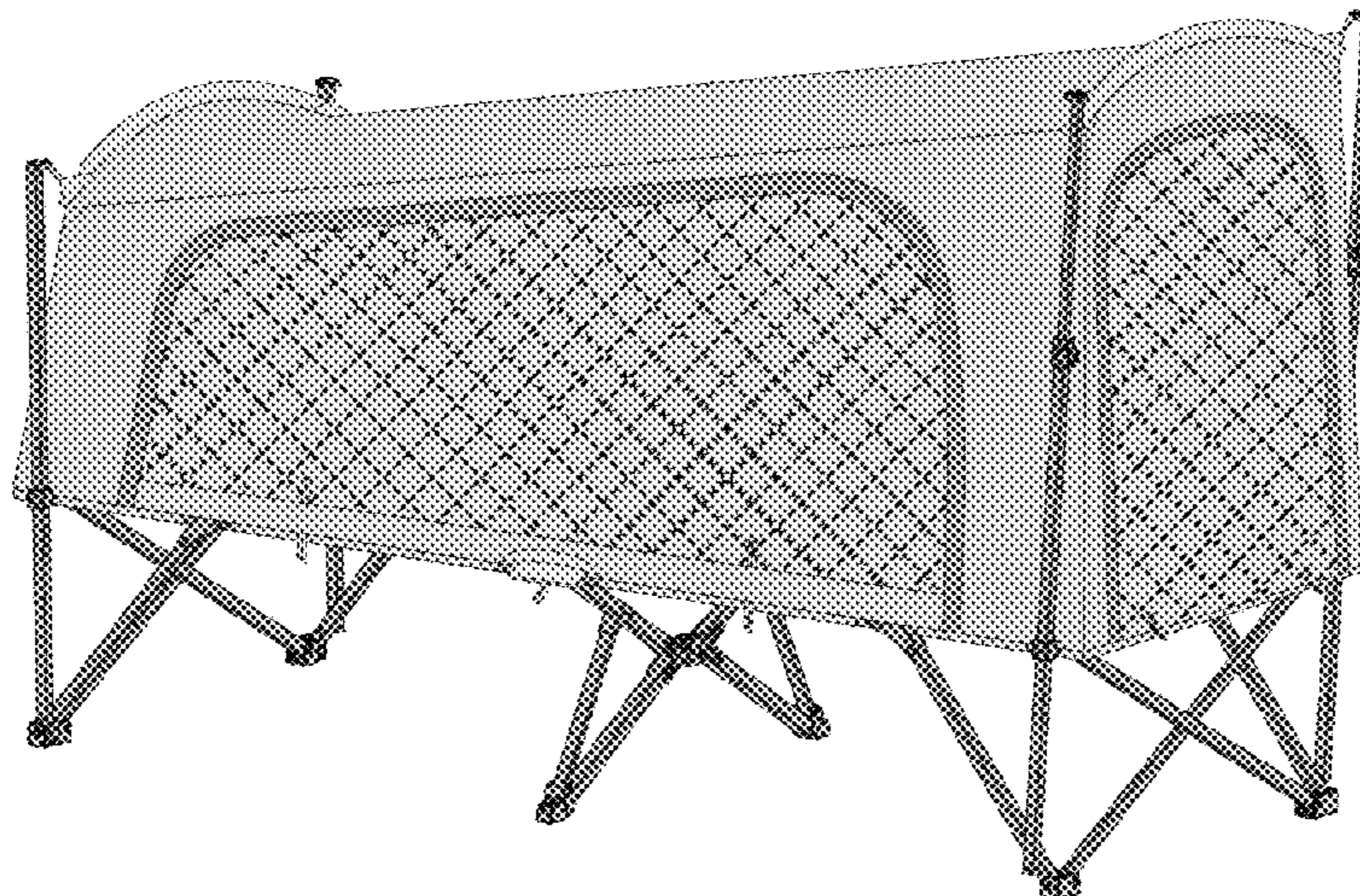
FIG. 4 is a left side view of the design of FIG. 1;

FIG. 5 is a right side view of the design of FIG. 1; and,

FIG. 6 is a top view of the design of FIG. 1.

The broken lines represent environment only and form no part of the claimed design.

1 Claim, 6 Drawing Sheets



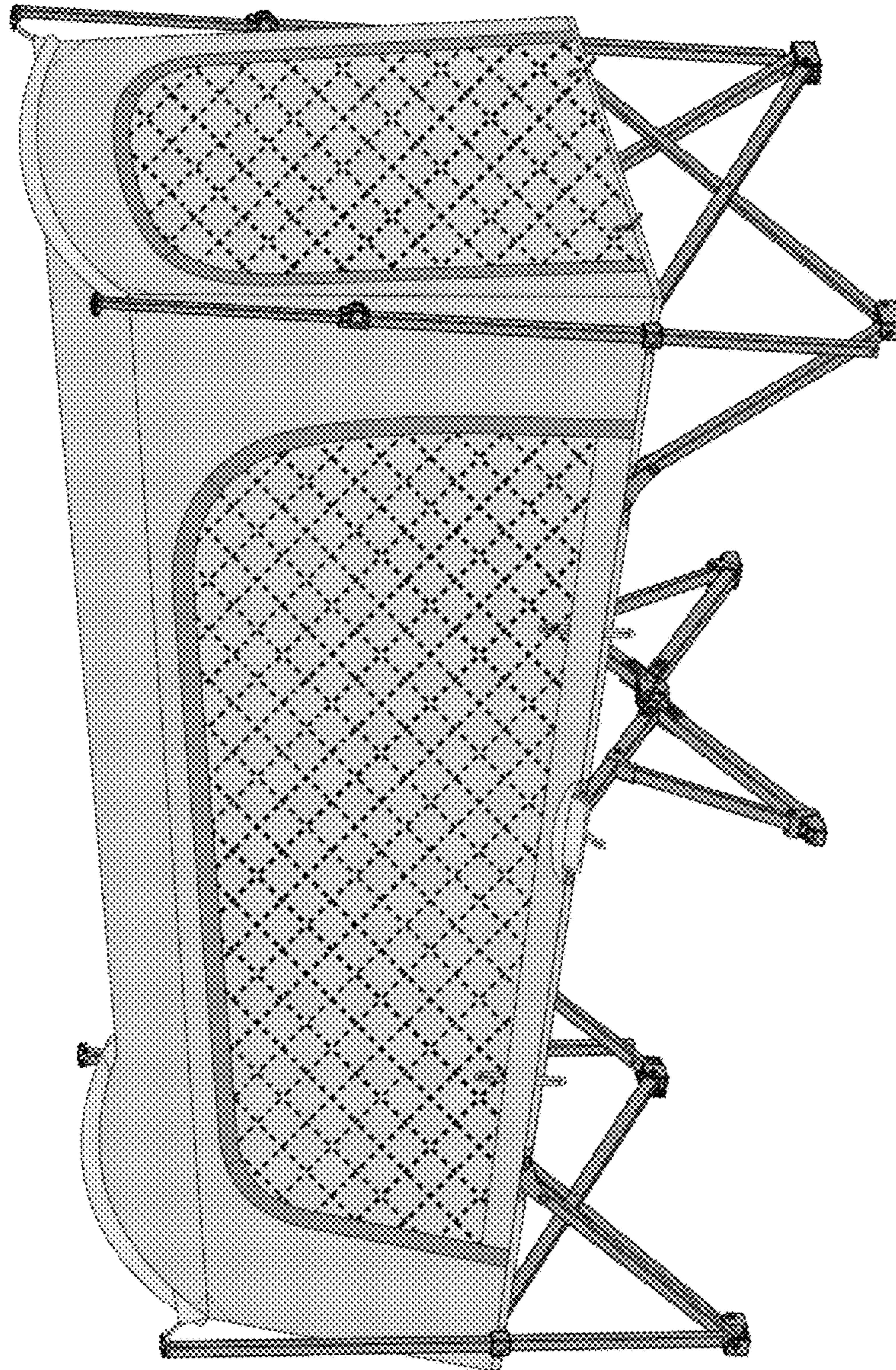


FIG. 1

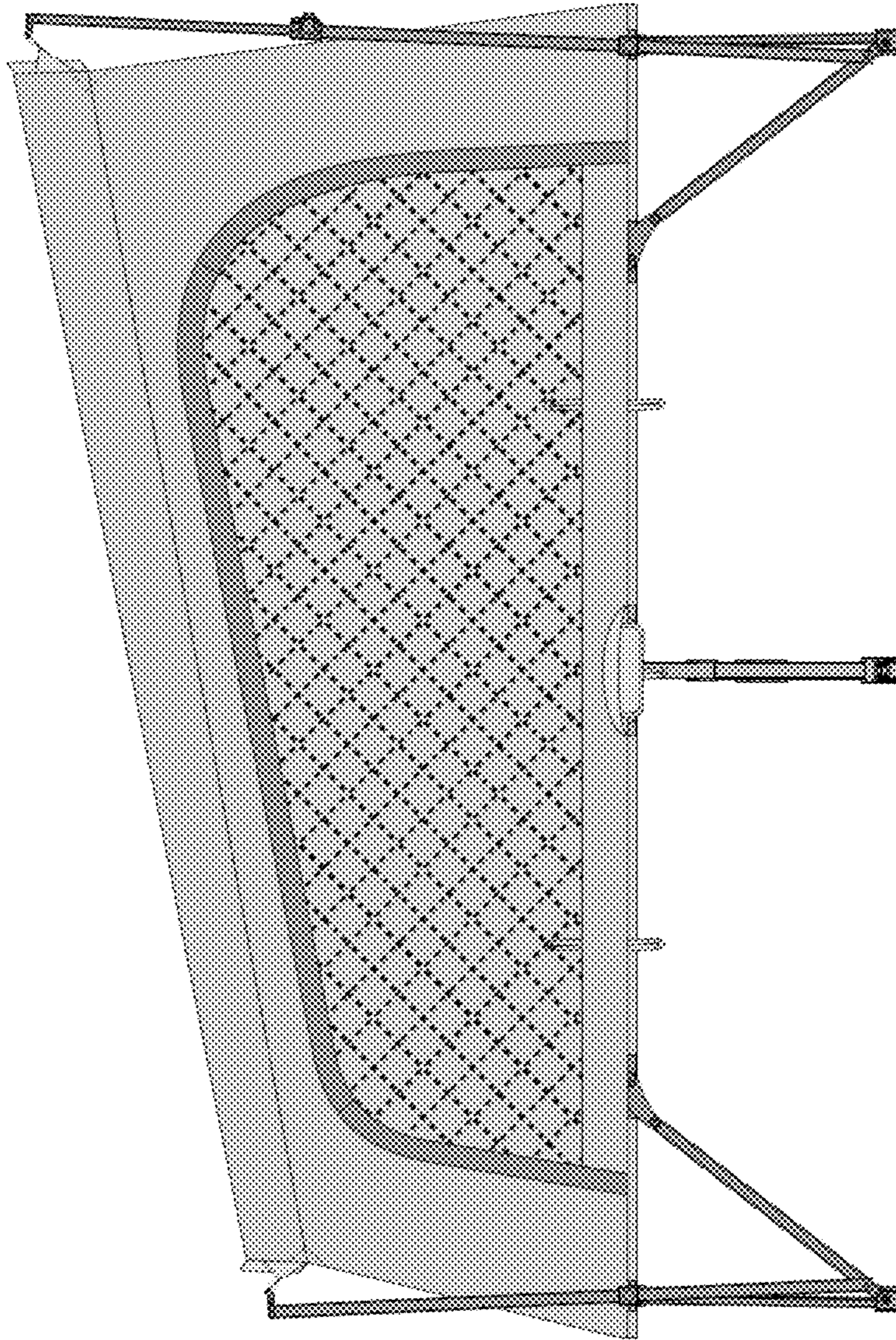


FIG. 2

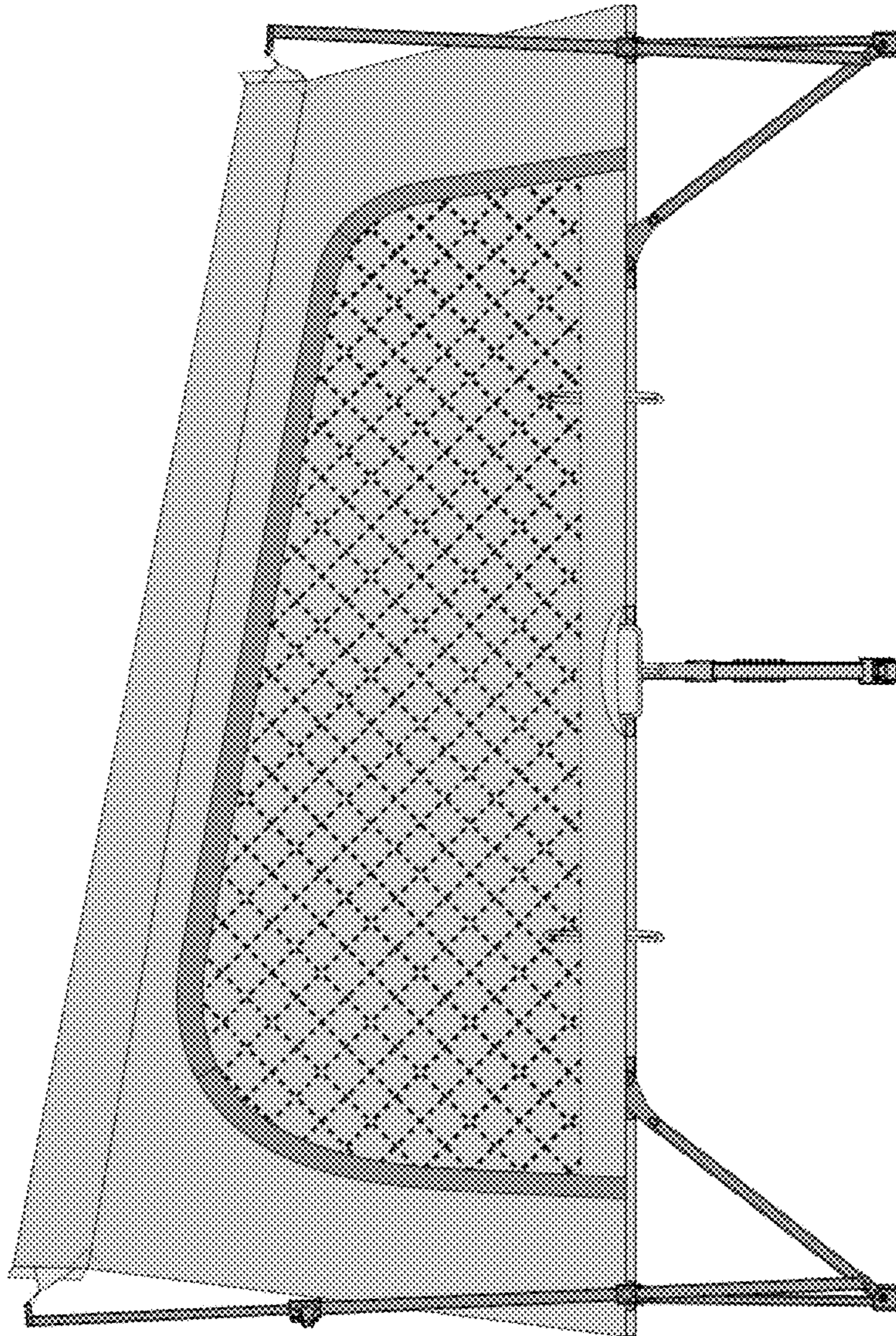


FIG. 3

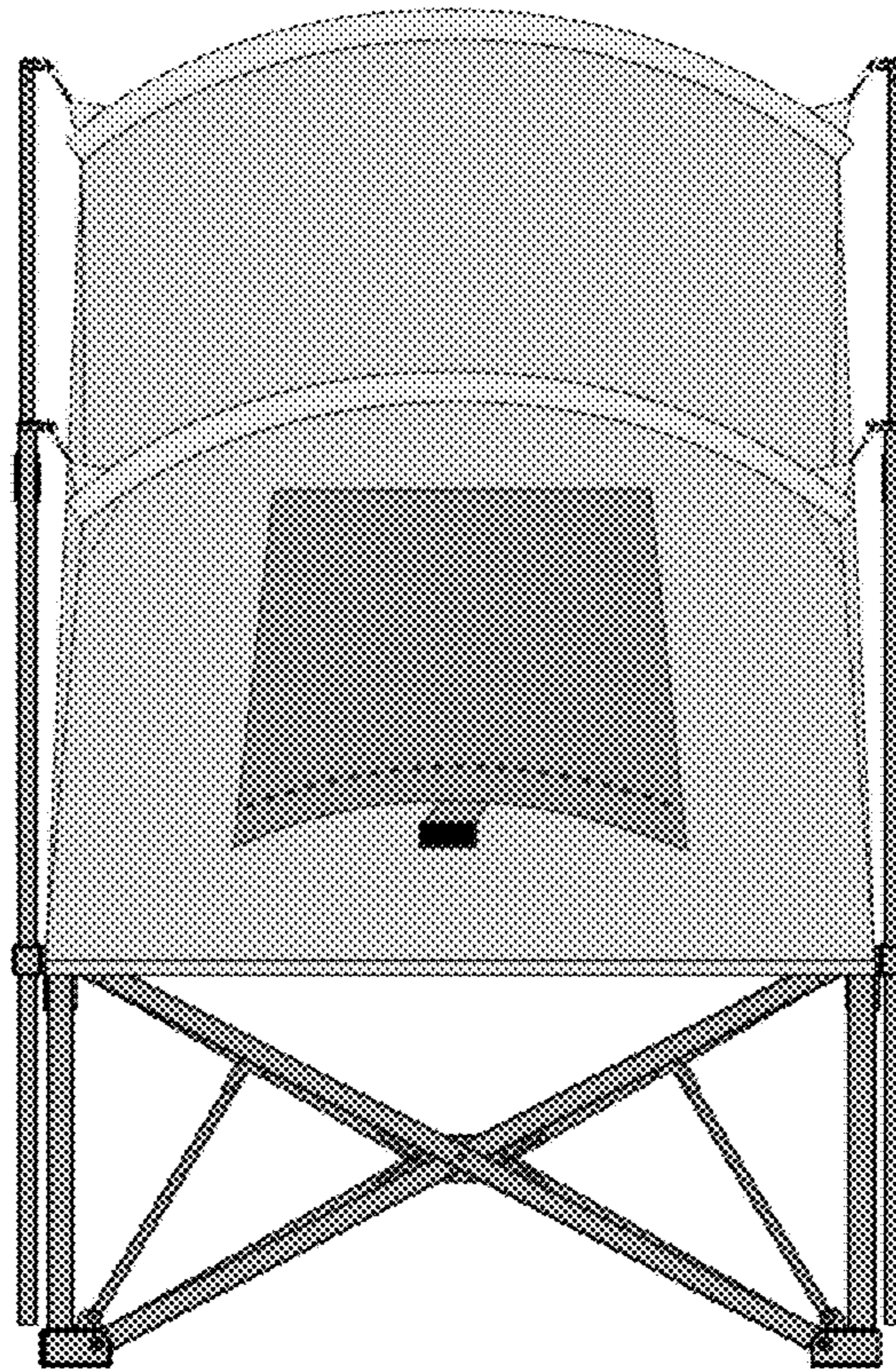


FIG. 4

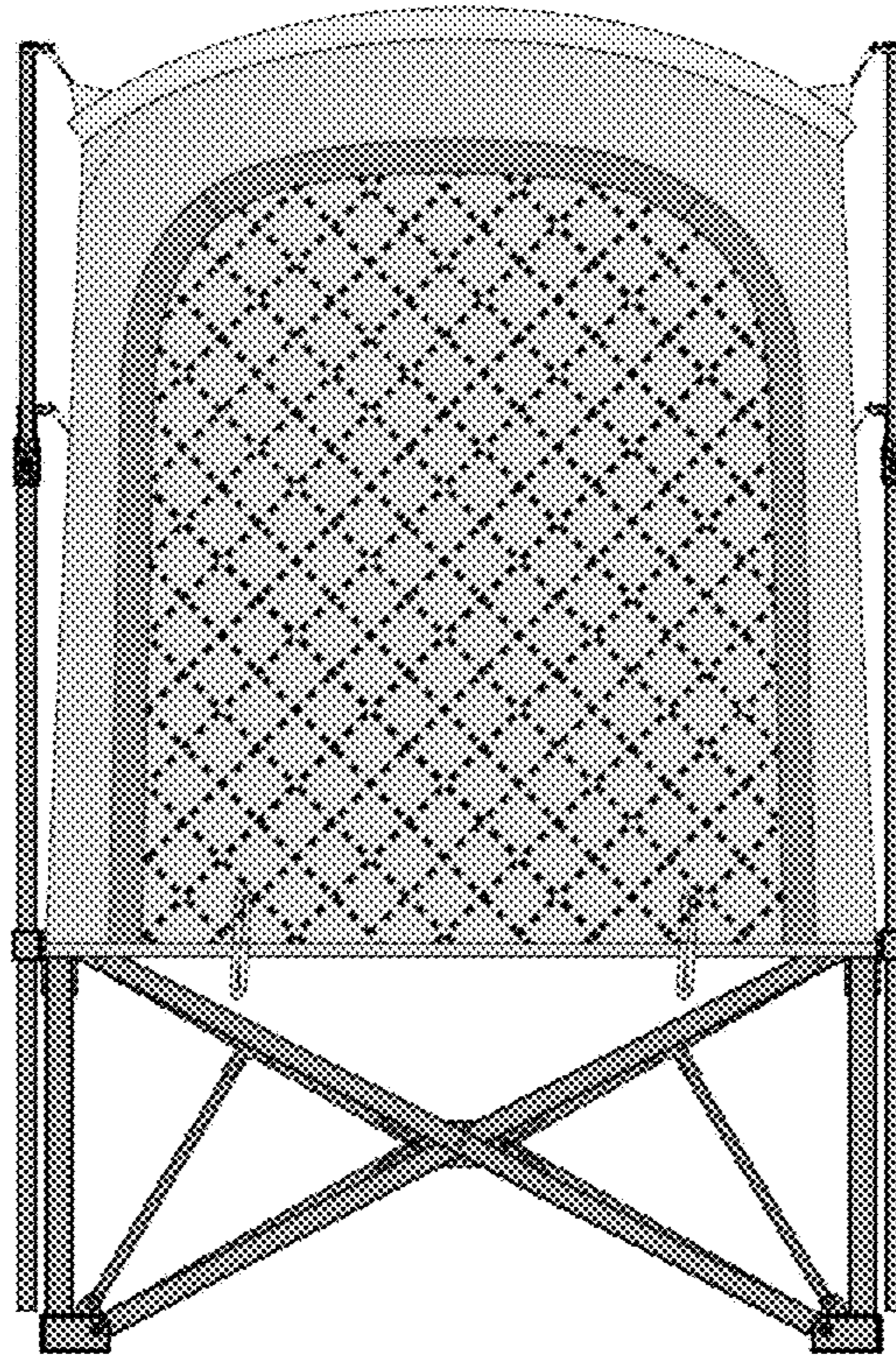


FIG. 5

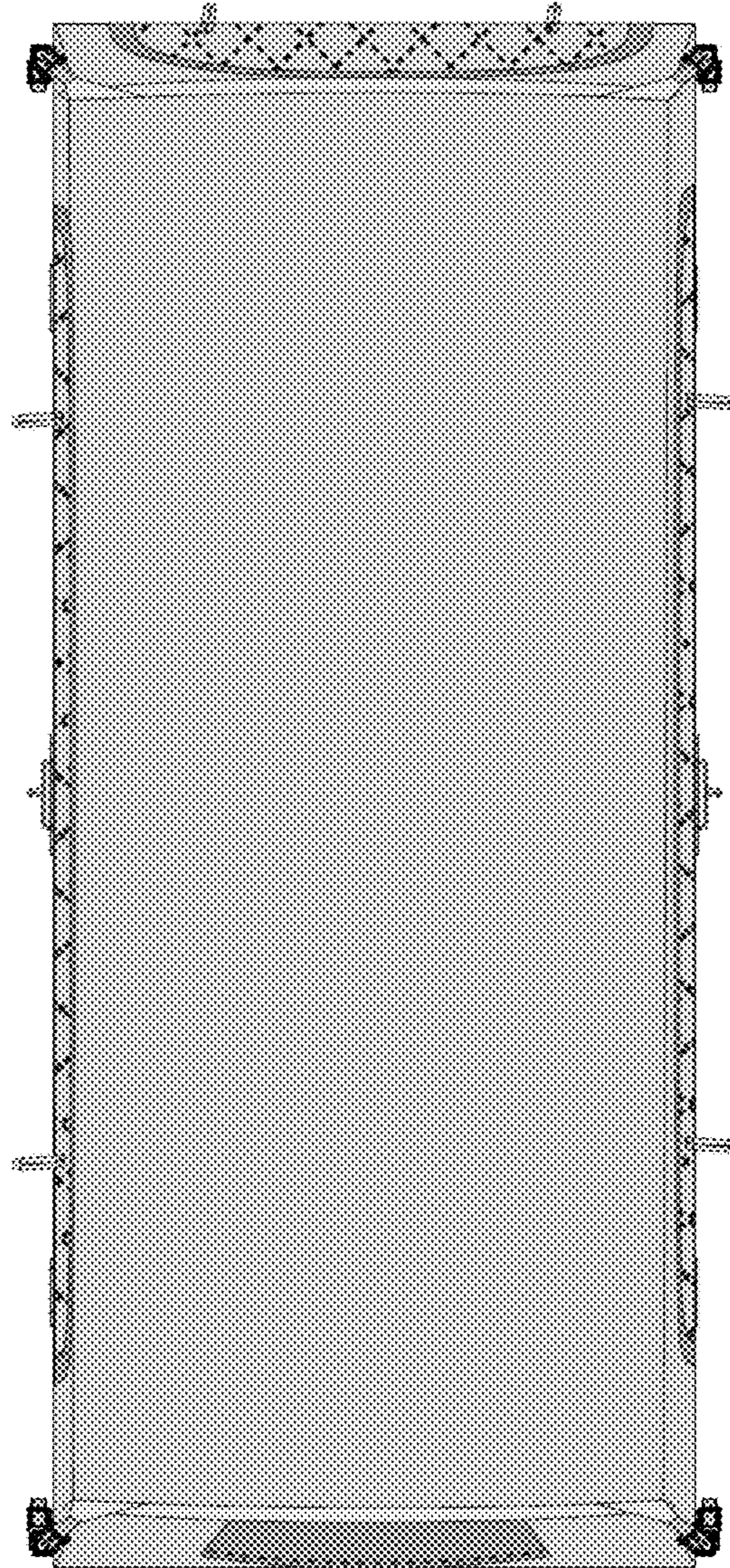


FIG. 6