



US00D842957S

(12) **United States Design Patent** (10) **Patent No.:** **US D842,957 S**
Chen (45) **Date of Patent:** **** Mar. 12, 2019**

(54) **TRAMPOLINE**
(71) Applicant: **Samuel Chen**, Hung Hom (CN)
(72) Inventor: **Samuel Chen**, Hung Hom (CN)
(**) Term: **15 Years**
(21) Appl. No.: **29/613,649**
(22) Filed: **Aug. 11, 2017**
(51) **LOC (11) Cl.** **21-02**
(52) **U.S. Cl.**
USPC **D21/797**
(58) **Field of Classification Search**
USPC D21/797, 668, 669, 834, 826, 688;
D6/582-594, 716; 483/27, 35, 29, 112,
483/33, 110, 148, 28, 77, 147, 51;
297/23, 26, 452.18; 135/96, 117;
D30/112; D25/1, 16, 22, 56; 446/220;
473/469; 182/139, 224; 273/395, 402;
D8/21, 29, 14, 382; 81/124.6, 63.1,
81/177.85, 125.1, 177.2; D12/118, 178;
285/133.21, 197, 319, 921; 403/170, 217,
403/326, 28, 188, 230
CPC A63B 5/11; A63B 21/023; A63B 71/022;
A63B 2208/12; A63B 2210/50; A63B
21/0552; A63B 21/026; B25B 13/04
See application file for complete search history.

D813,968 S * 3/2018 Chen D21/797
D822,781 S * 7/2018 Chen D21/797
2008/0269020 A1* 10/2008 Alexander A63B 5/11
482/29
2013/0072269 A1* 3/2013 Chen A63B 5/11
463/7
2014/0066260 A1* 3/2014 Liu A63B 5/11
482/27
2017/0173376 A1* 6/2017 Miller A63B 5/11
2017/0239503 A1* 8/2017 Goldwitz A63B 5/11
2018/0036569 A1* 2/2018 Chen A63B 5/11
2018/0036570 A1* 2/2018 Chen A63B 5/11
2018/0111015 A1* 4/2018 Chen A63B 71/04

OTHER PUBLICATIONS

Titan XT7 by Monxter dated no date. Found online [Sep. 21, 2018] <https://www.monxtertrampolines.com/titan-xt7/>.
Monxter Titan Trampoline XT7 by Monxter Trampolines dated Dec. 3, 2017. Found online [Sep. 21, 2018] <https://www.youtube.com/watch?v=4FvyT9nUEGg>.

* cited by examiner

Primary Examiner — Ryan Harvey
(74) *Attorney, Agent, or Firm* — Clement Cheng

(57) **CLAIM**

The ornamental design for a trampoline, as shown and described.

DESCRIPTION

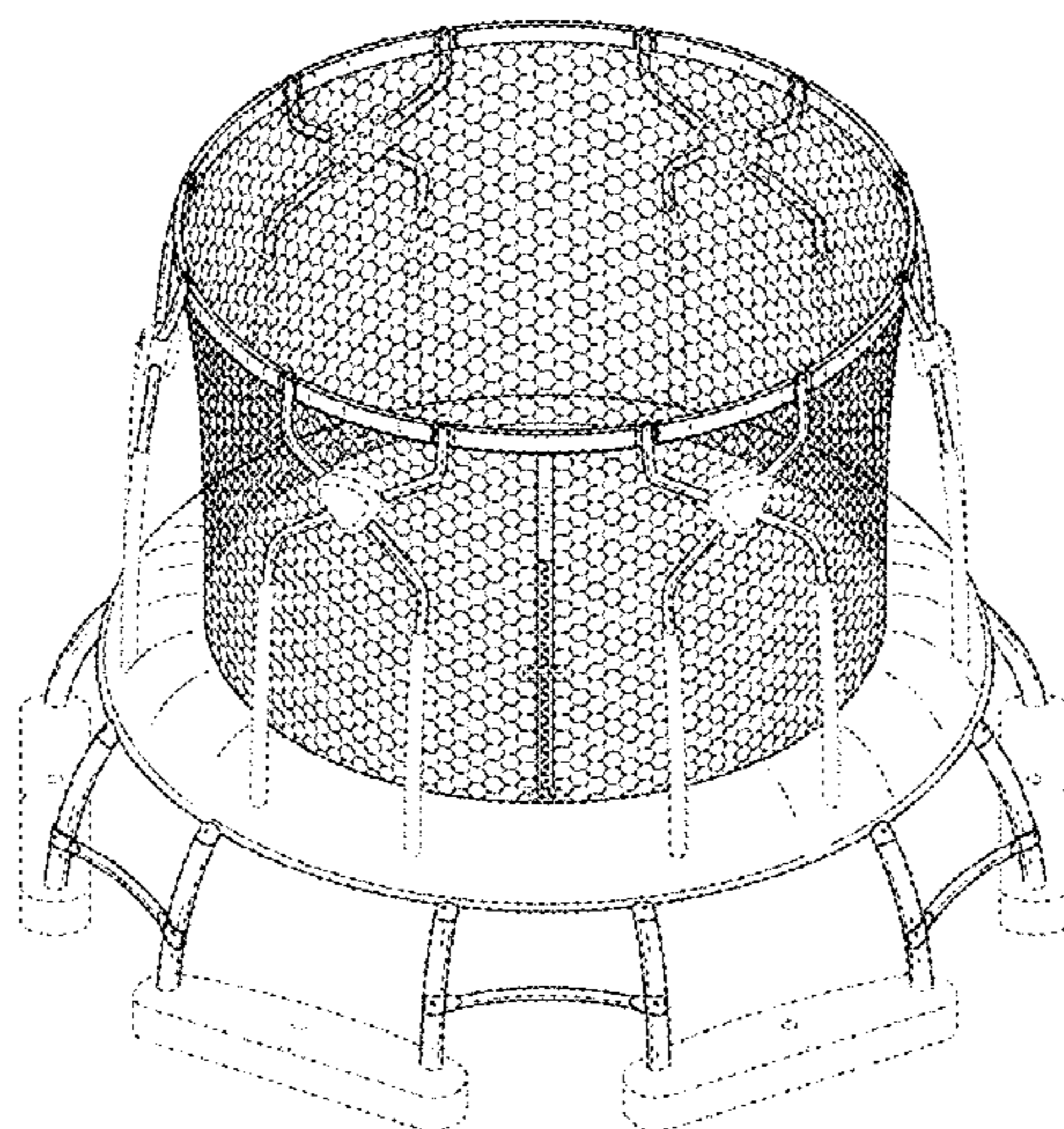
FIG. 1 is a perspective view.
FIG. 2 is a front view.
FIG. 3 is a rear view.
FIG. 4 is a left side view.
FIG. 5 is a right side view.
FIG. 6 is a top view; and,
FIG. 7 is a bottom view.
The broken line showing of portions of the trampoline depicts environment and forms no part of the claim.

1 Claim, 7 Drawing Sheets

(56) **References Cited**

U.S. PATENT DOCUMENTS

D614,715 S * 4/2010 Mann D21/797
D664,228 S * 7/2012 Hsiang D21/797
D684,233 S * 6/2013 Yang D21/797
9,545,532 B2* 1/2017 Miller A63B 5/11
D785,117 S * 4/2017 Chen D21/797
9,682,264 B1* 6/2017 Chen A63B 5/11
D794,150 S * 8/2017 Ji D21/797
D794,151 S * 8/2017 Ji D21/797
D799,626 S * 10/2017 Chen D21/797
D803,338 S * 11/2017 Hsiang D21/797



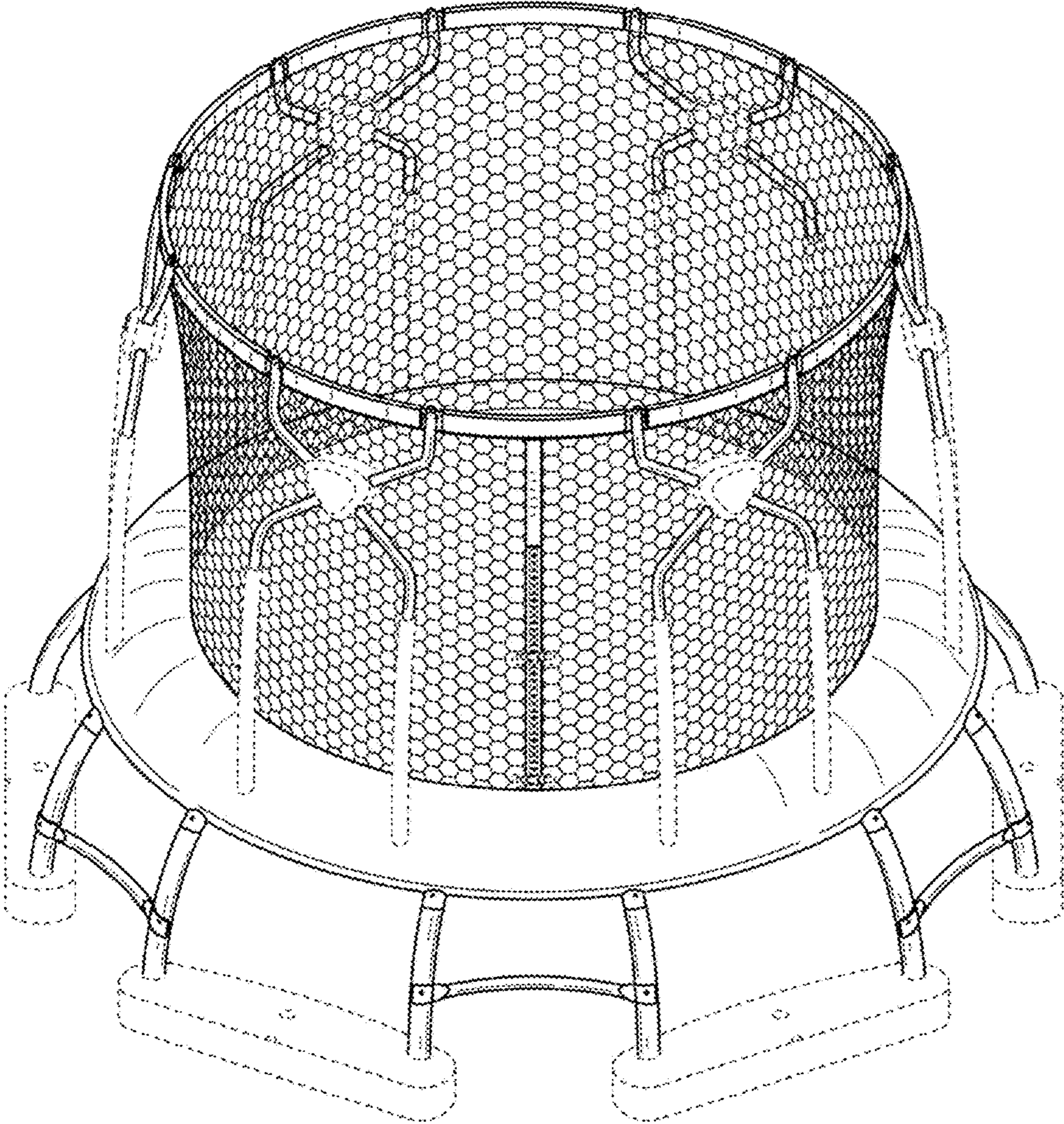


FIG. 1

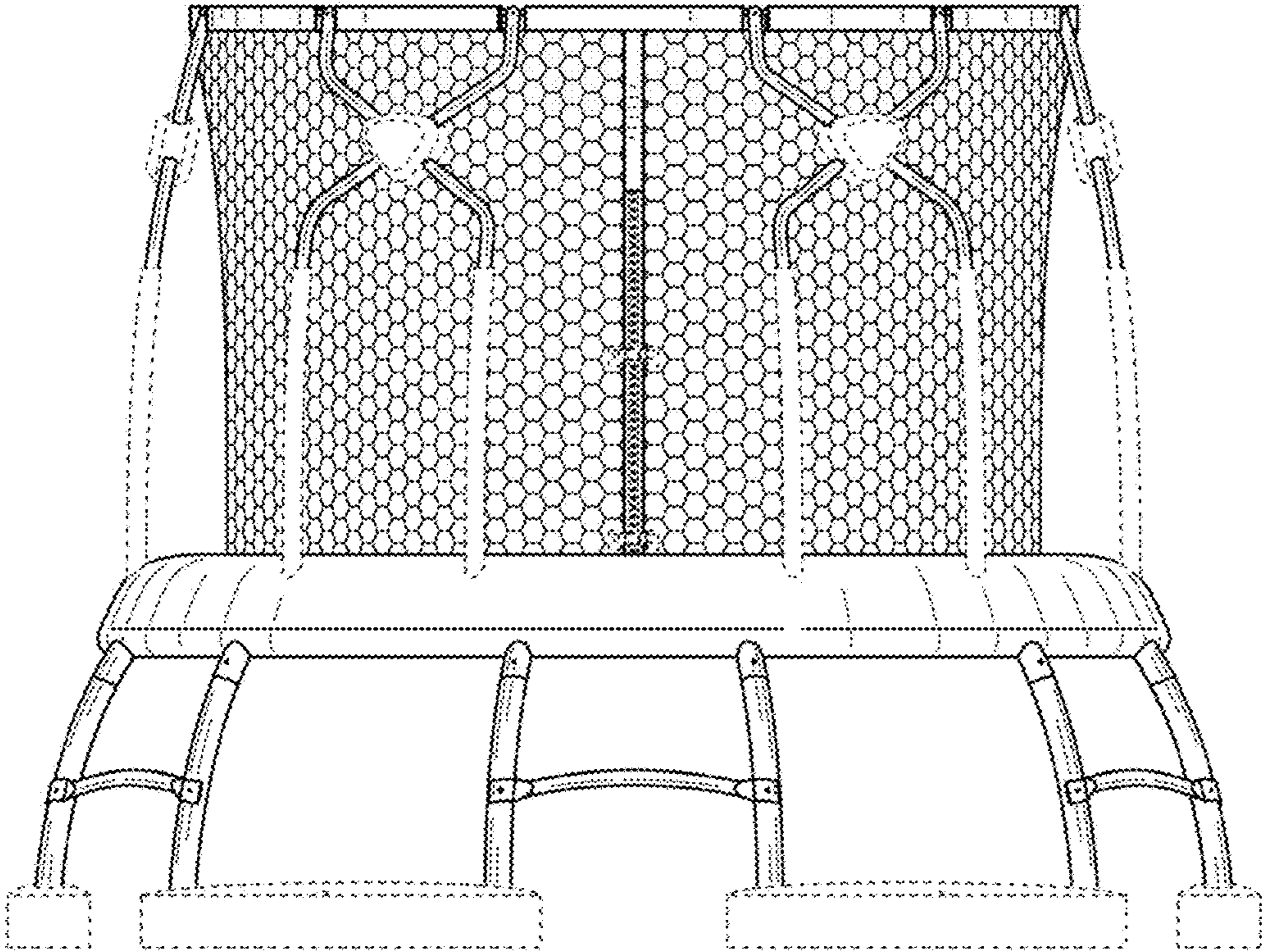


FIG. 2

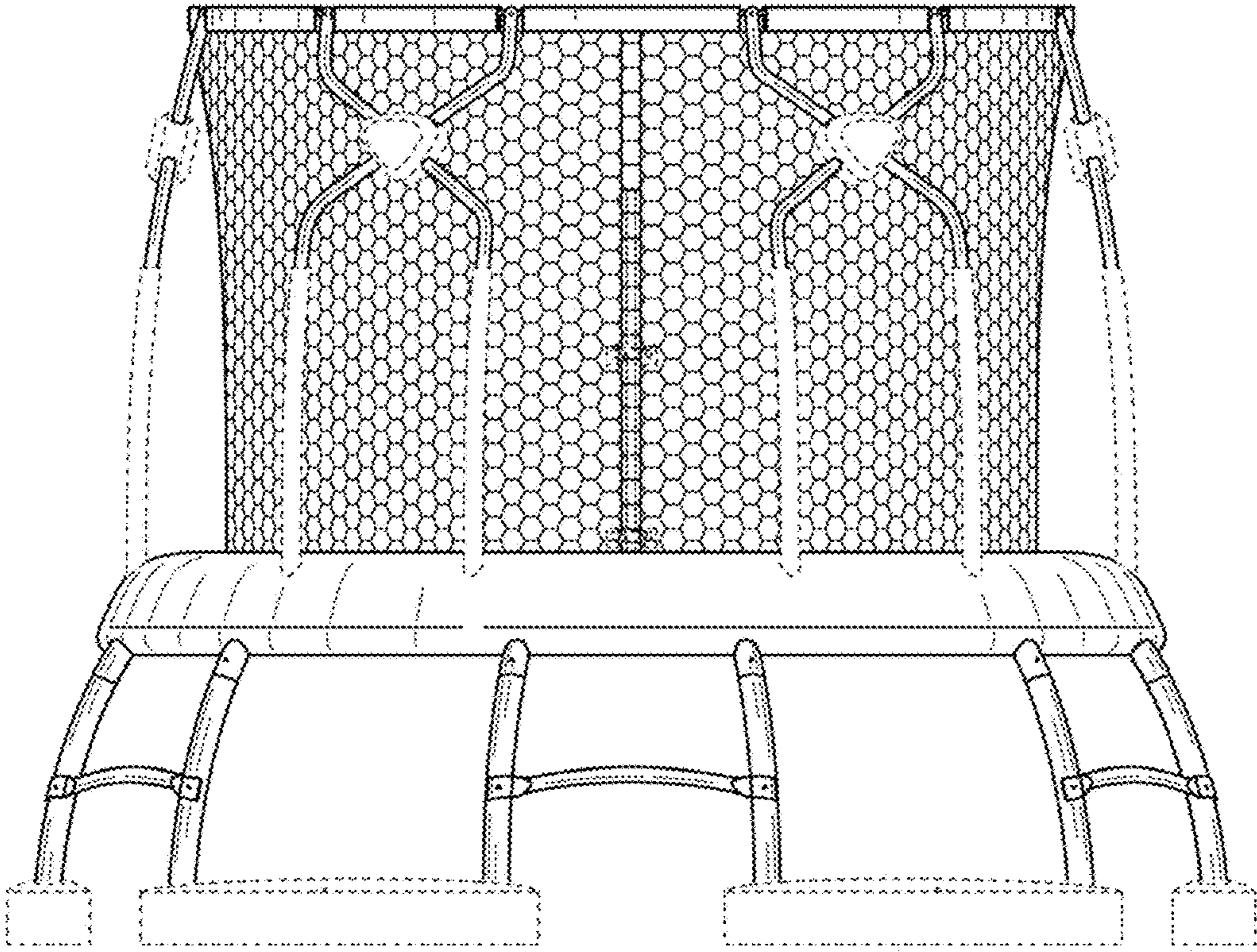


FIG. 3

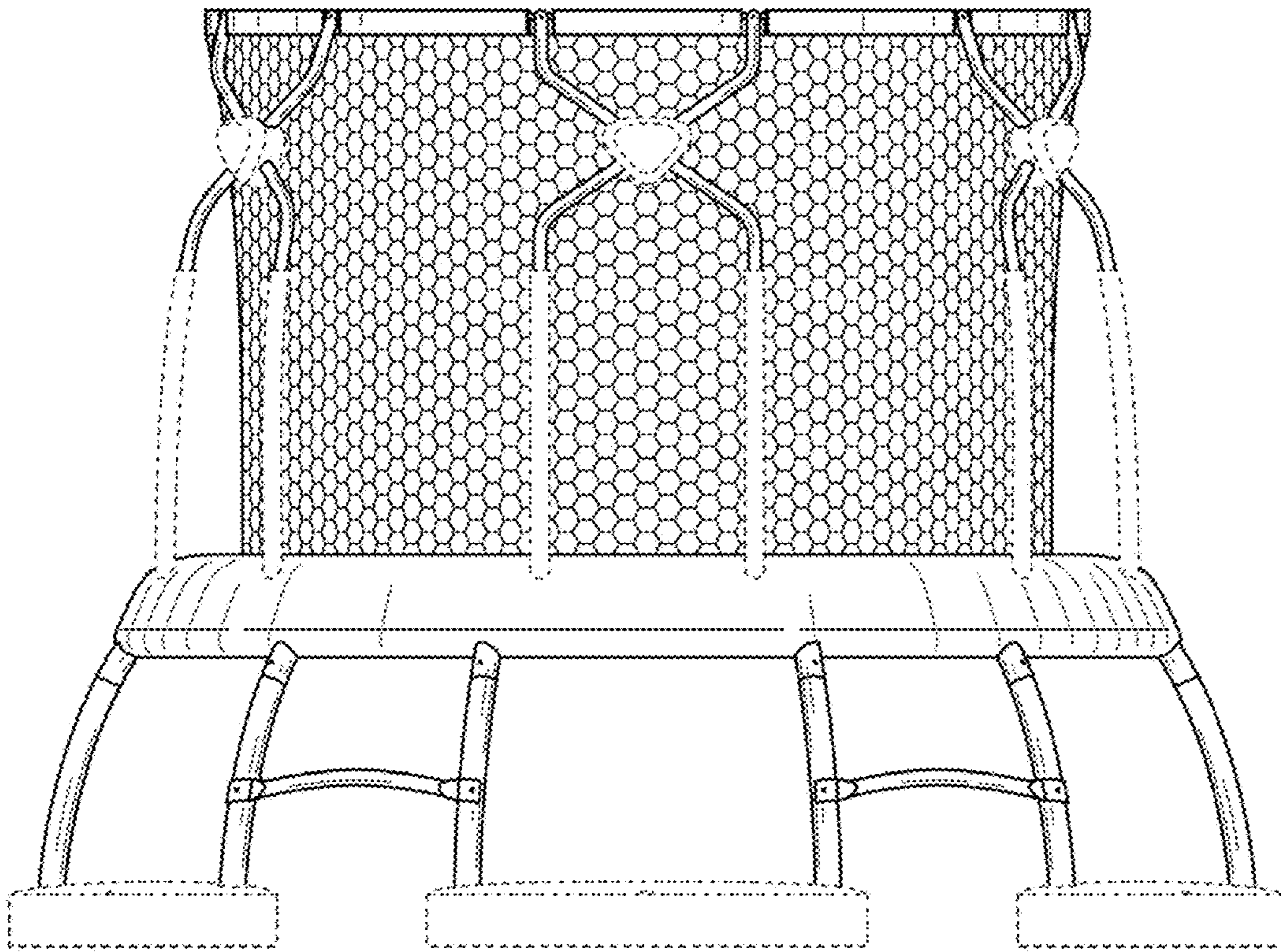


FIG. 4

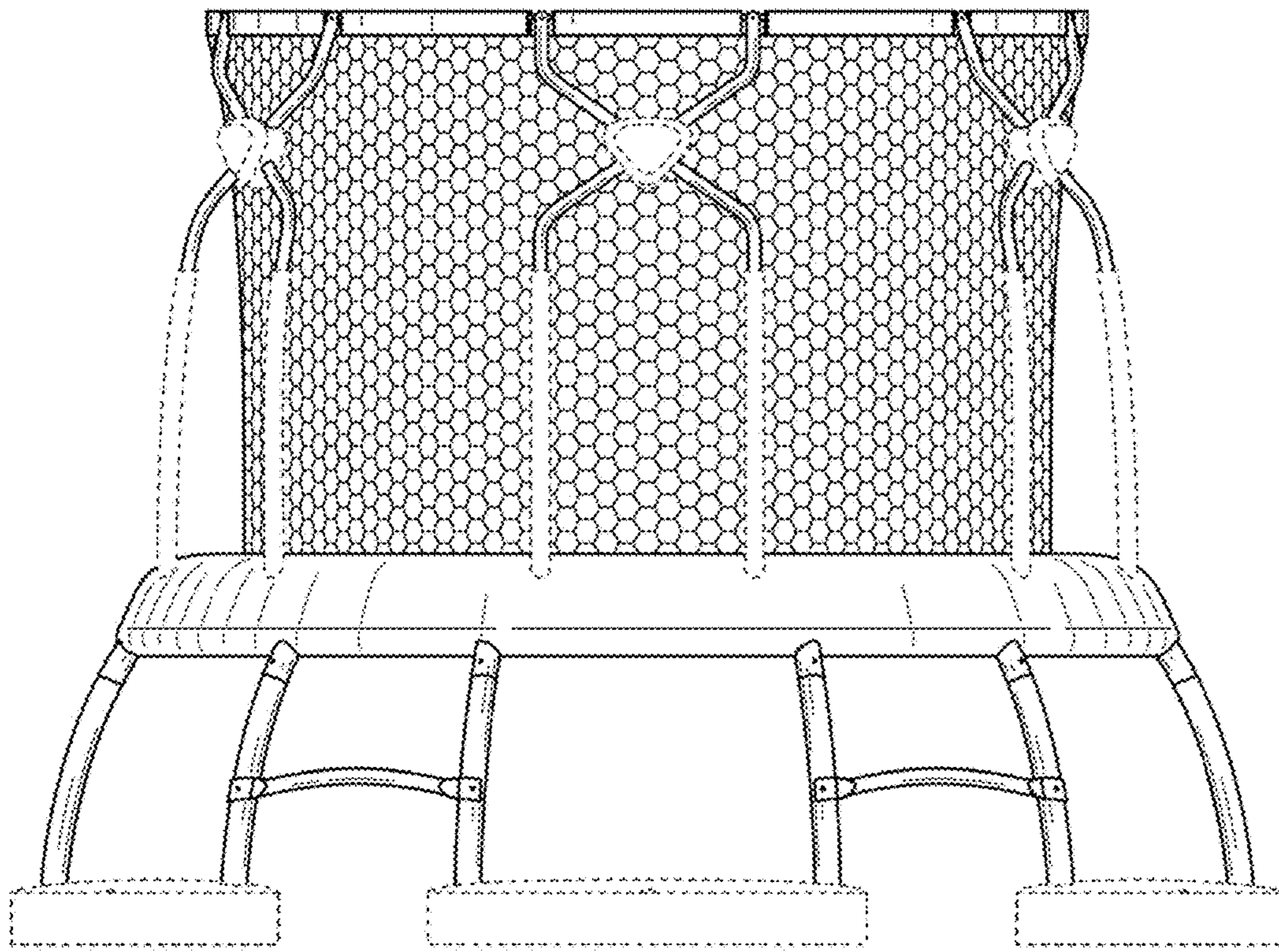


FIG. 5

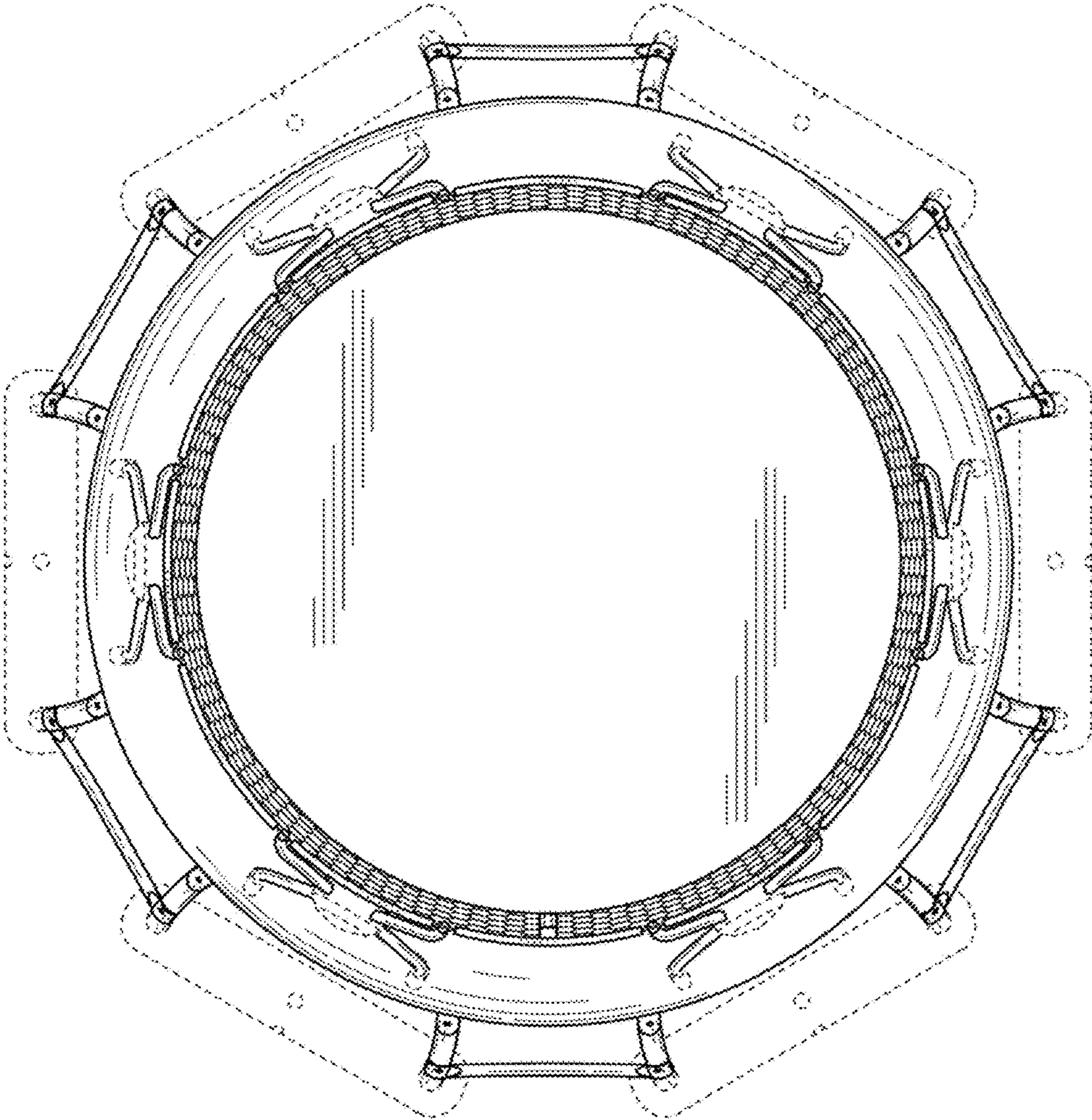


FIG. 6

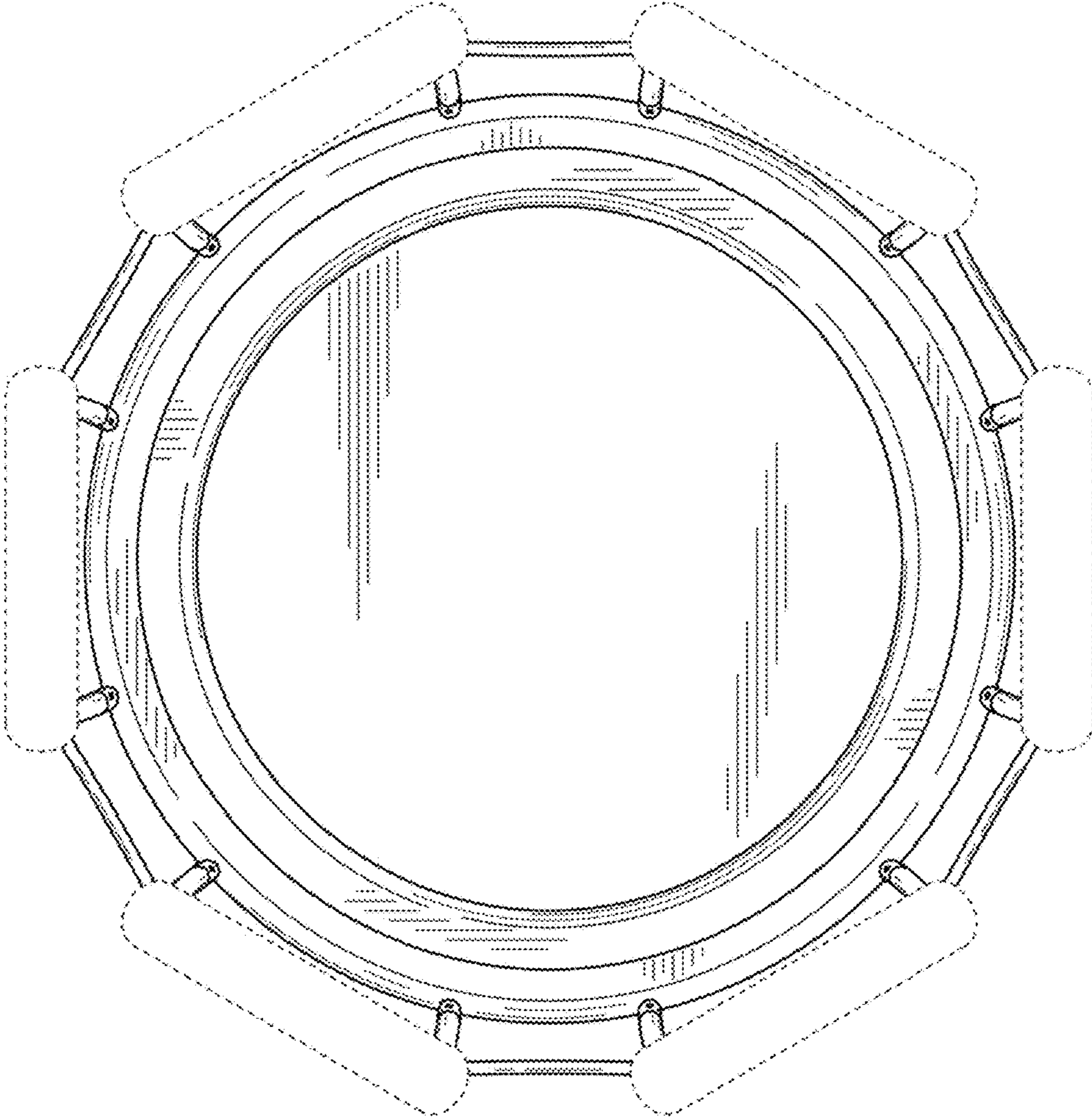


FIG. 7