



US00D842955S

(12) **United States Design Patent**
Johnson

(10) **Patent No.:** **US D842,955 S**

(45) **Date of Patent:** **** Mar. 12, 2019**

(54) **COMBINATION DIVOT TOOL, GOLF TEE, AND BALL MARKER**

(71) Applicant: **William J. Inventions Ltd.**, Surrey (GB)

(72) Inventor: **William Nevil Heaton Johnson**, St. Martin Guernsey (GB)

(73) Assignee: **William J. Inventions Ltd.** (GB)

(**) Term: **15 Years**

(21) Appl. No.: **29/598,840**

(22) Filed: **Mar. 29, 2017**

(30) **Foreign Application Priority Data**

Sep. 30, 2016 (GB) 6000912

(51) **LOC (11) Cl.** **21-02**

(52) **U.S. Cl.**
USPC **D21/793**

(58) **Field of Classification Search**
USPC D21/789, 793, 794
CPC A63B 57/353; A63B 57/207; A63B 57/00;
A63B 57/30; A63B 57/35; A63B 57/50;
A63B 57/12; A63B 57/16; A63B 57/20
See application file for complete search history.

(56) **References Cited**

U.S. PATENT DOCUMENTS

5,152,524 A	10/1992	Brown	
D487,788 S	3/2004	Impellizeri	
D489,112 S *	4/2004	Jacome	D21/796
D494,244 S *	8/2004	Jacome	D21/793
D653,720 S *	2/2012	Piatkowski	D21/793
9,216,336 B2	12/2015	Jackson	
2002/0187861 A1 *	12/2002	Jacome	A63B 57/50 473/408
2003/0148830 A1	8/2003	Hsiao	

2004/0132556 A1* 7/2004 Jacome A63B 57/50
473/408
2011/0039639 A1* 2/2011 Carsey A63B 57/50
473/408
2014/0323247 A1 10/2014 Sinanis et al.

* cited by examiner

Primary Examiner — Mitchell I. Siegel

(74) *Attorney, Agent, or Firm* — The Webb Law Firm

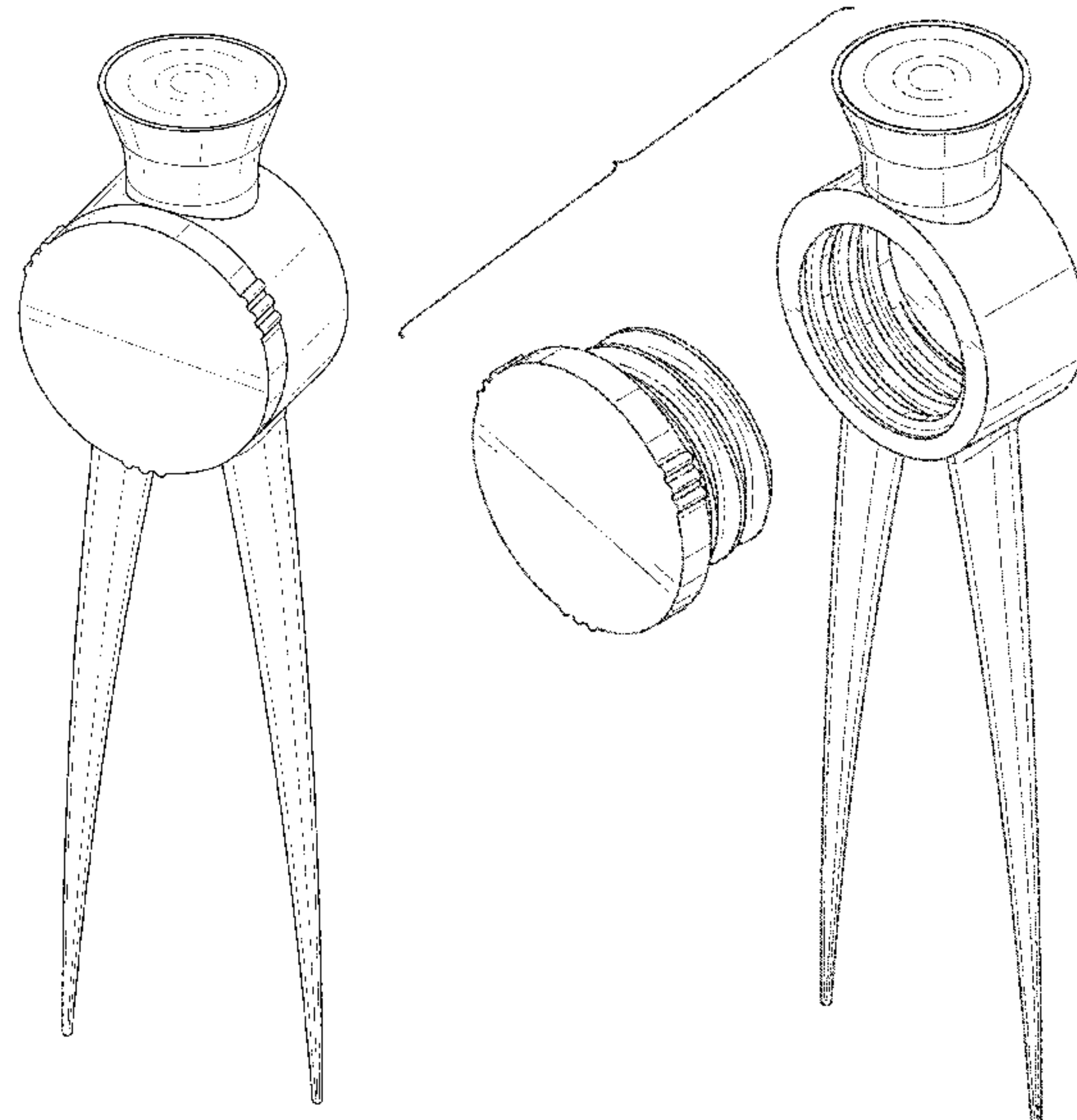
(57) **CLAIM**

The ornamental design for a combination divot tool, golf tee, and ball marker, as shown and described.

DESCRIPTION

FIG. 1 is a front perspective view of a first embodiment of a combination divot tool, golf tee, and ball marker in accordance with the present design;
FIG. 2 is a front elevation view thereof;
FIG. 3 is a rear elevation view thereof;
FIG. 4 is a left side elevation view thereof;
FIG. 5 is a right side elevation view thereof;
FIG. 6 is a top plan view thereof;
FIG. 7 is a bottom plan view thereof;
FIG. 8 is an exploded perspective view thereof illustrating a ball marker removed from the tool in accordance with the present design;
FIG. 9 is a front perspective view of a second embodiment of a combination divot tool, golf tee, and ball marker in accordance with the present design;
FIG. 10 is a front elevation view thereof;
FIG. 11 is a rear elevation view thereof;
FIG. 12 is a left side elevation view thereof;
FIG. 13 is a right side elevation view thereof;
FIG. 14 is a top plan view thereof;
FIG. 15 is a bottom plan view thereof; and,
FIG. 16 is an exploded perspective view thereof illustrating a ball marker removed from the tool in accordance with the present design.

1 Claim, 16 Drawing Sheets



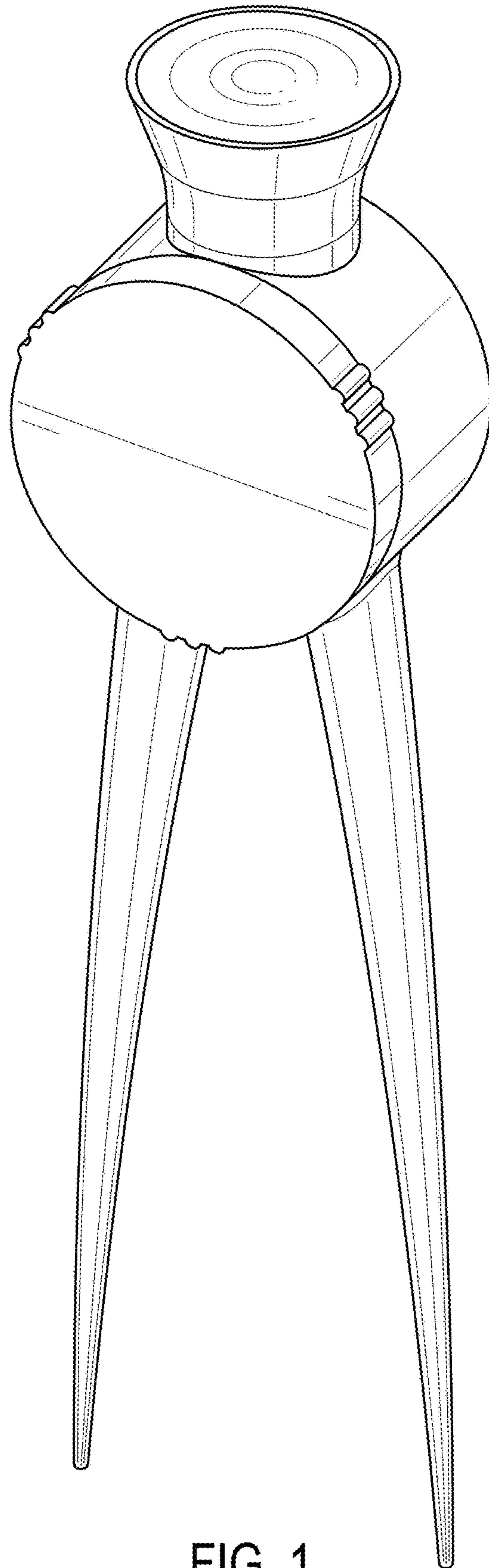


FIG. 1

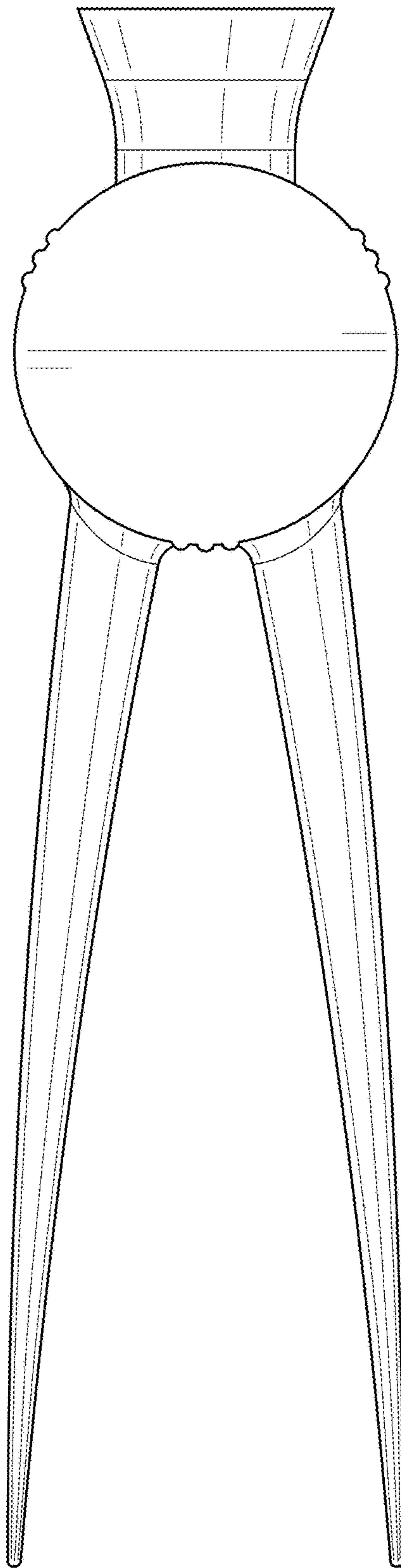


FIG. 2

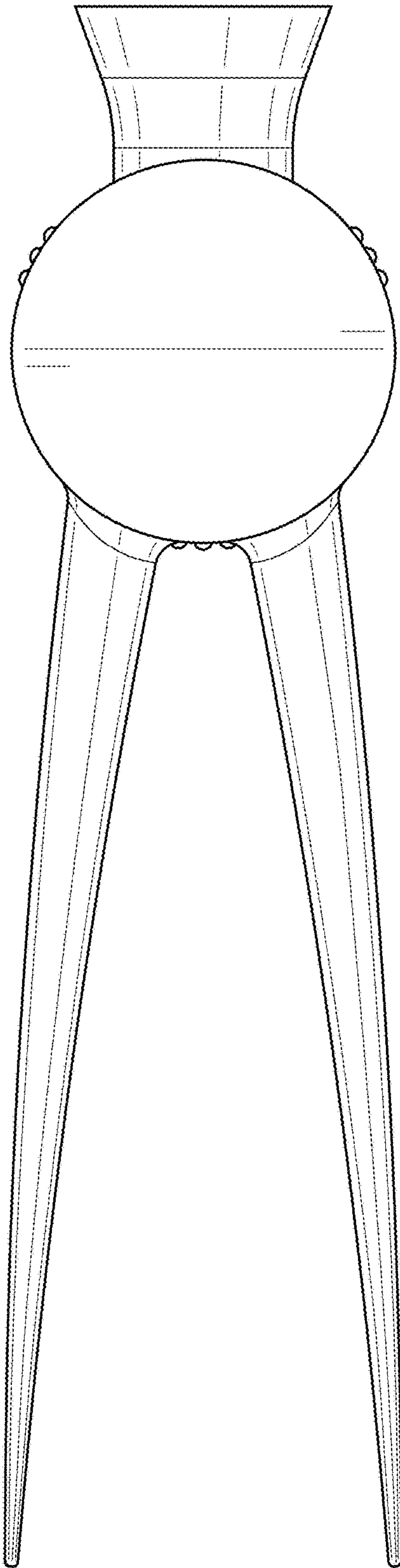


FIG. 3

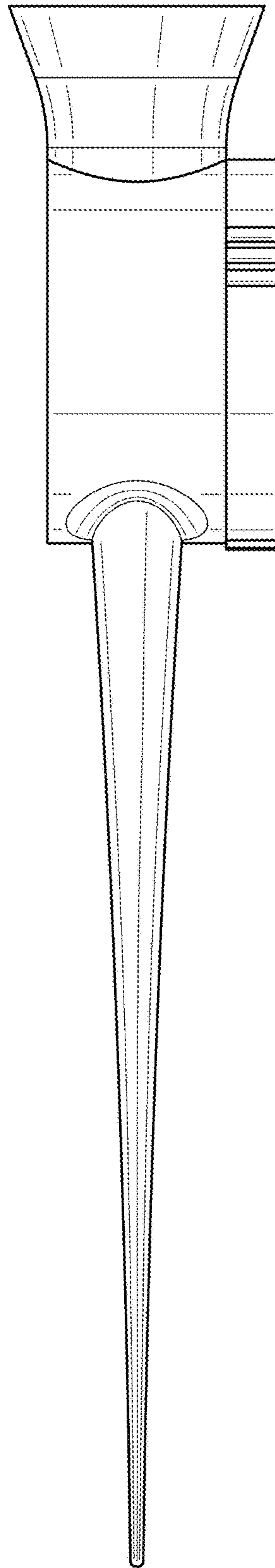


FIG. 4

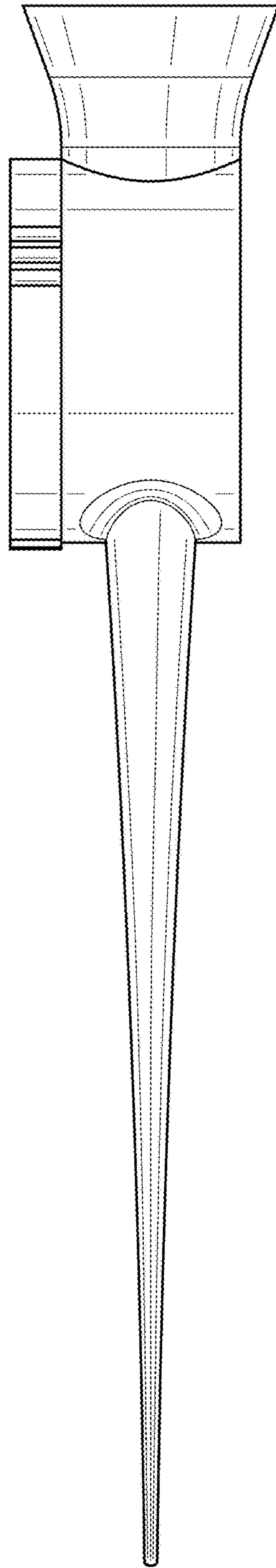


FIG. 5

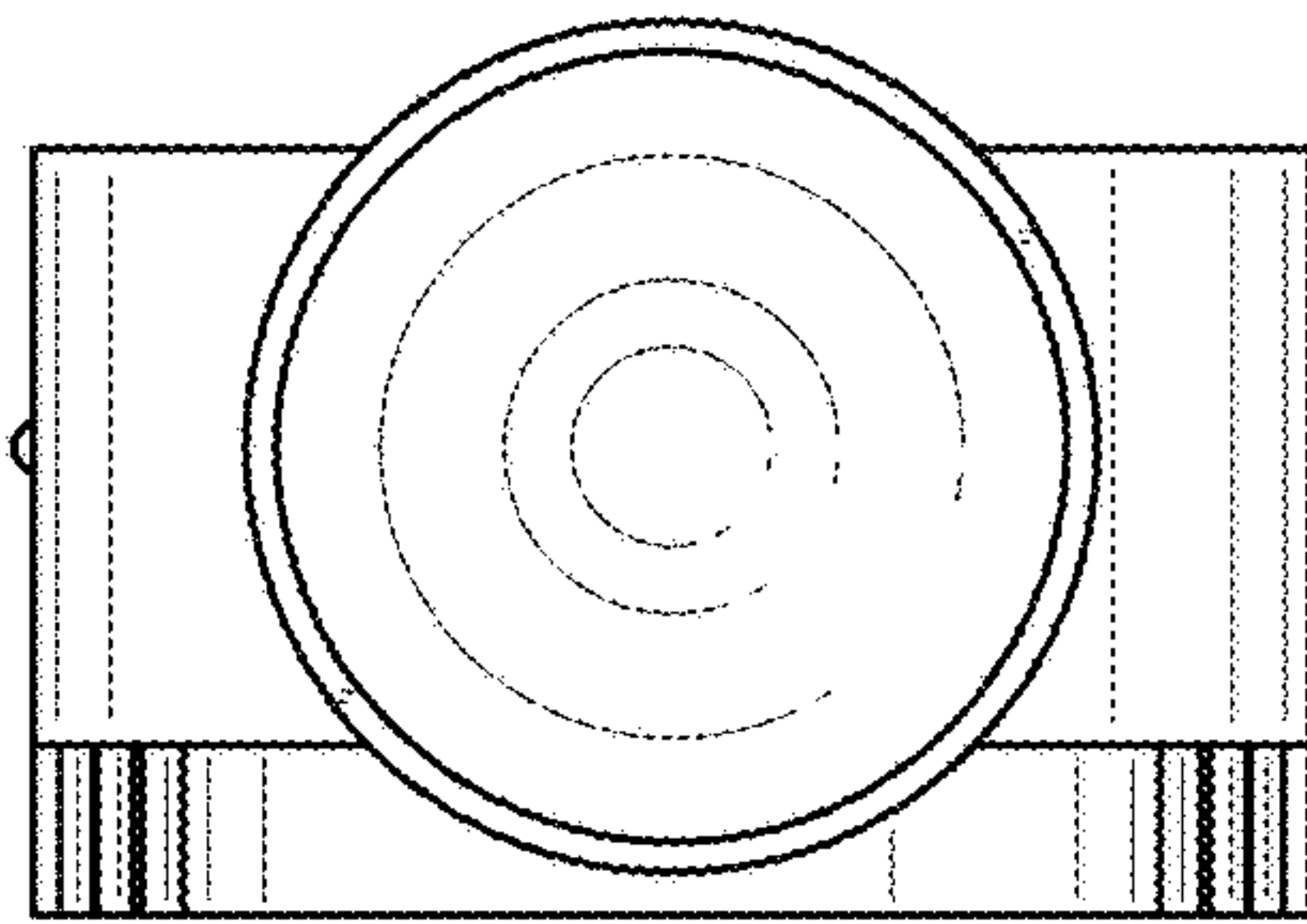


FIG. 6

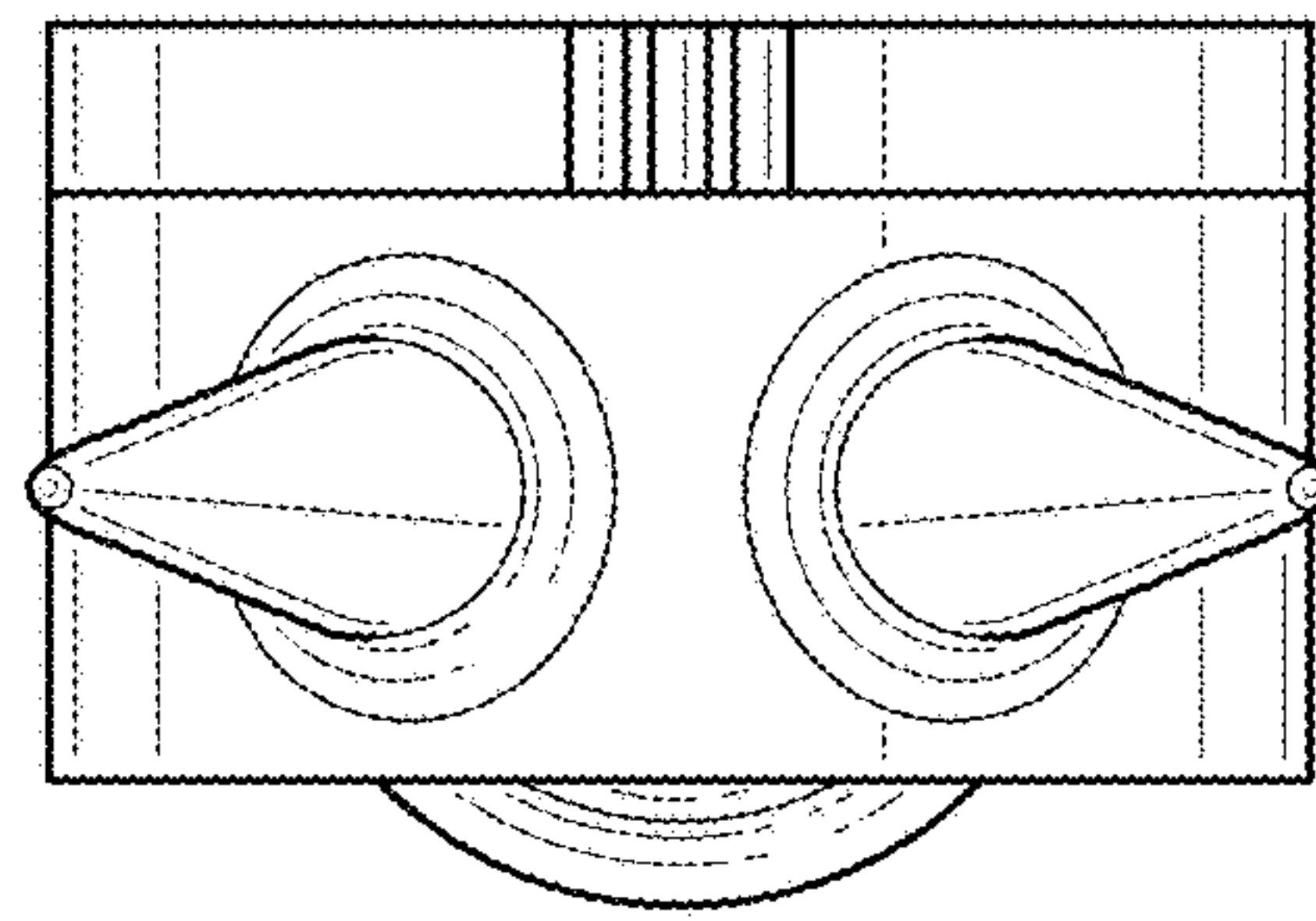


FIG. 7

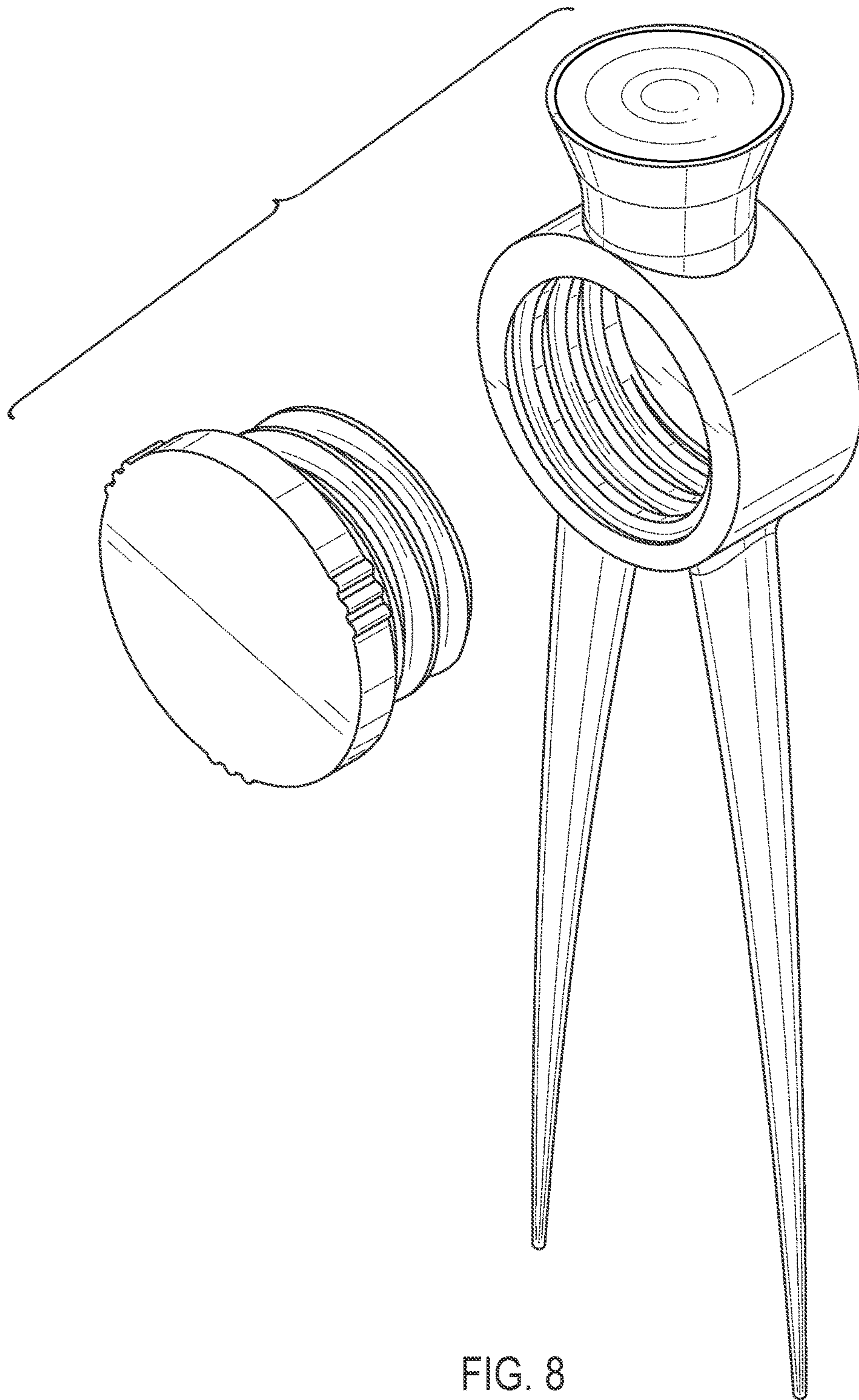


FIG. 8

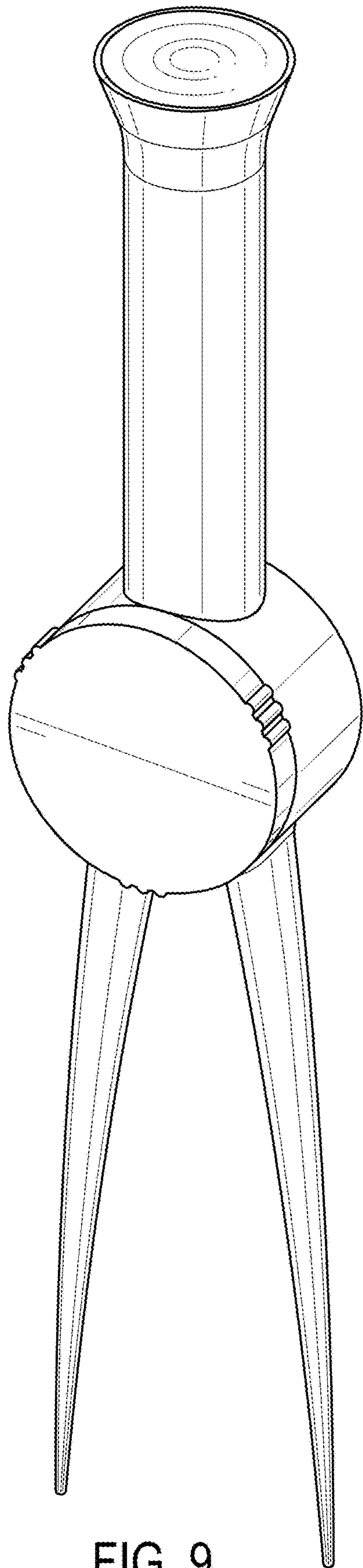


FIG. 9

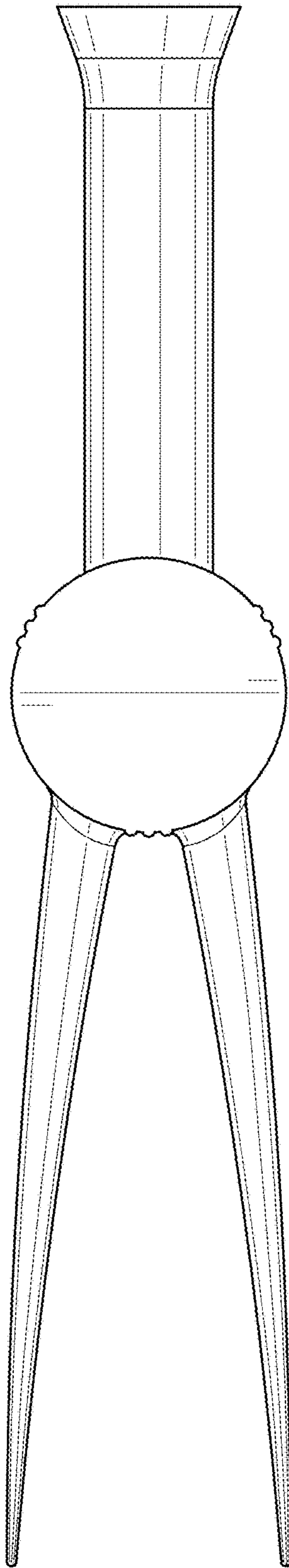


FIG. 10

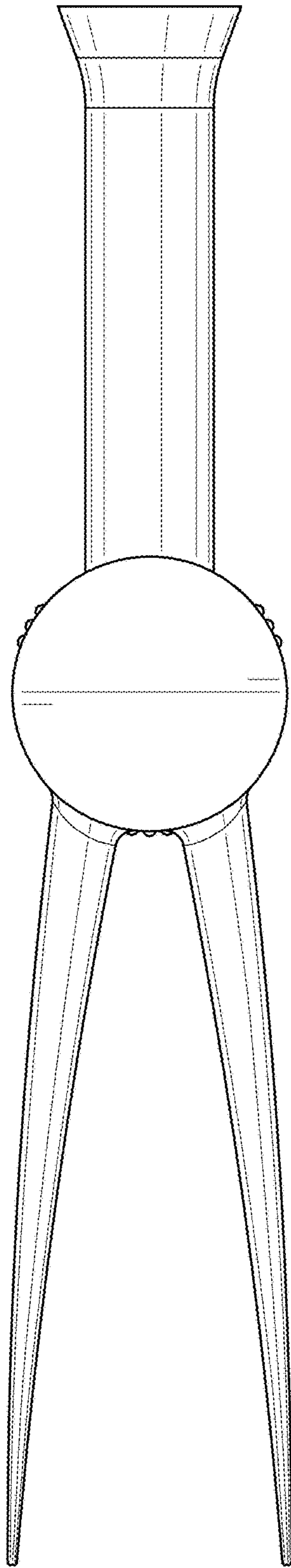


FIG. 11

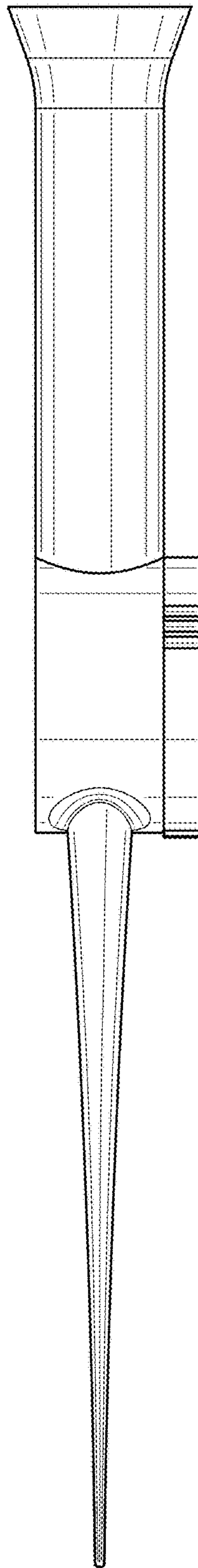


FIG. 12

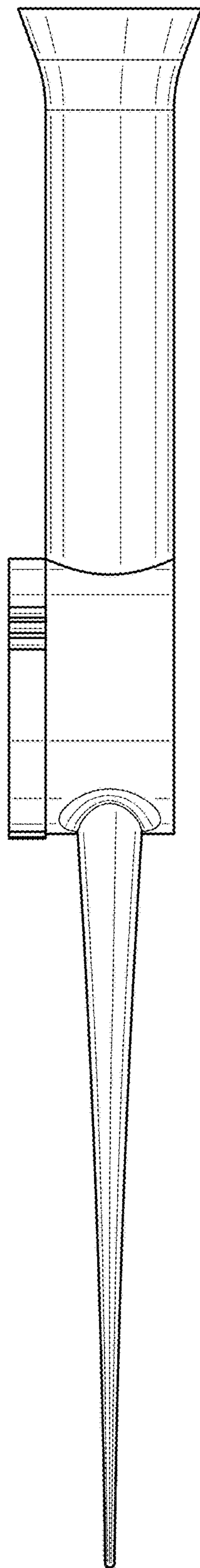


FIG. 13

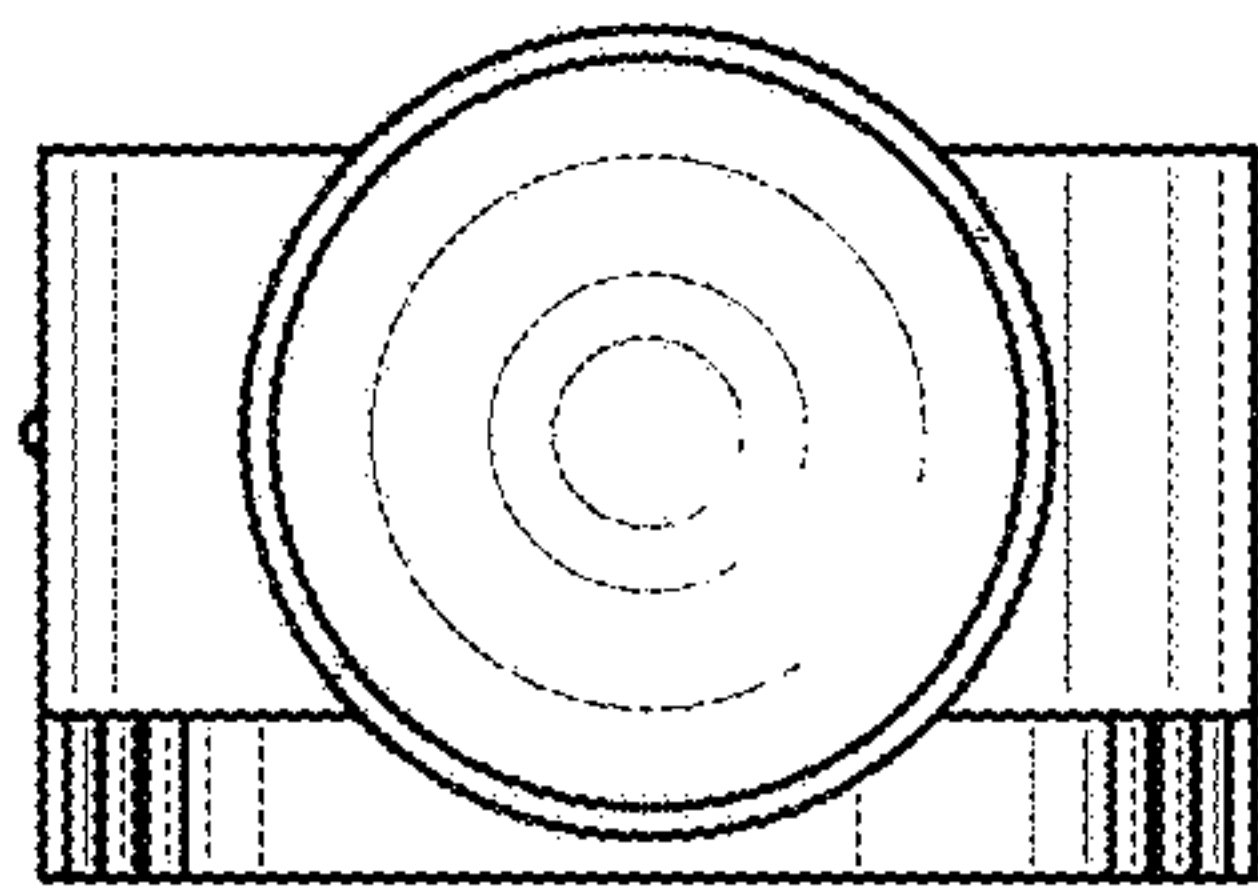


FIG. 14

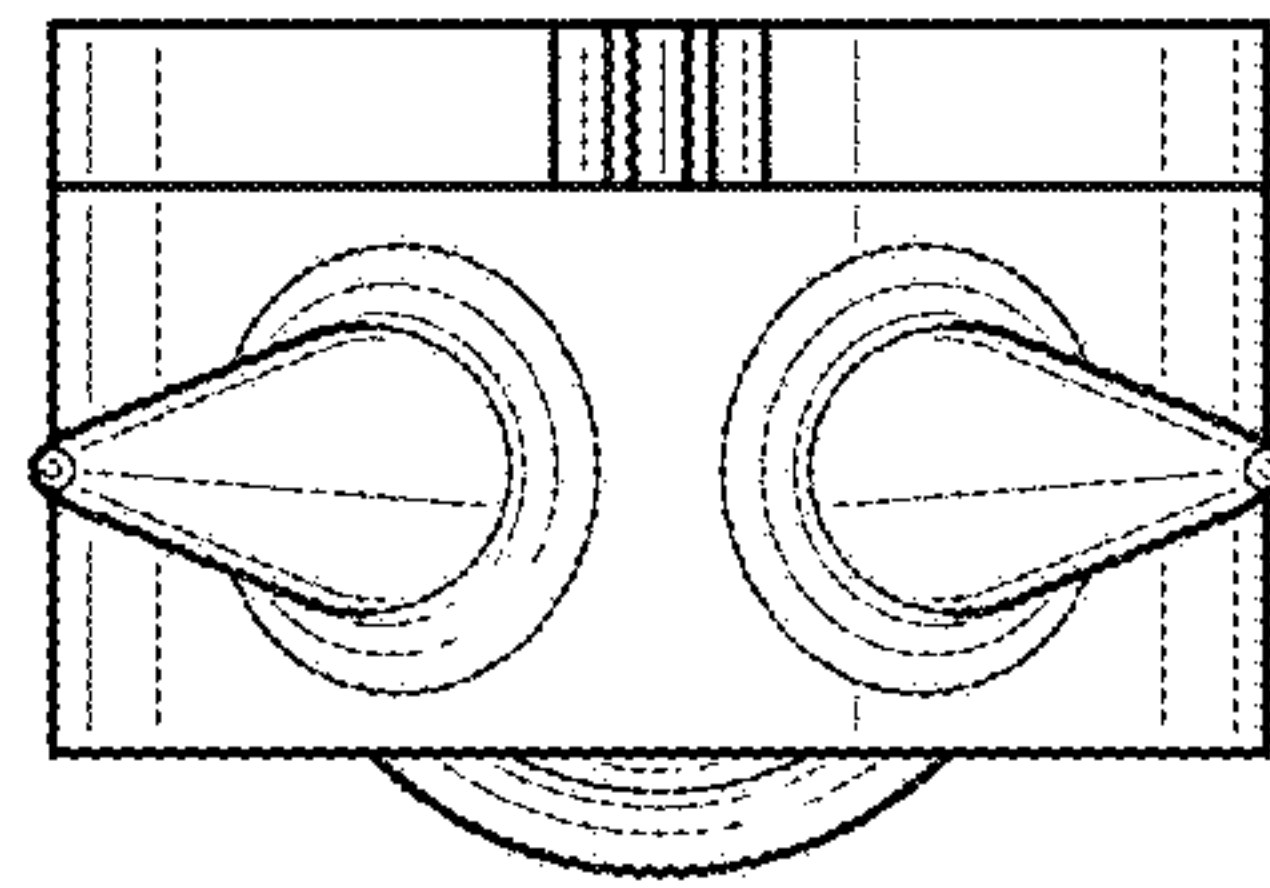


FIG. 15

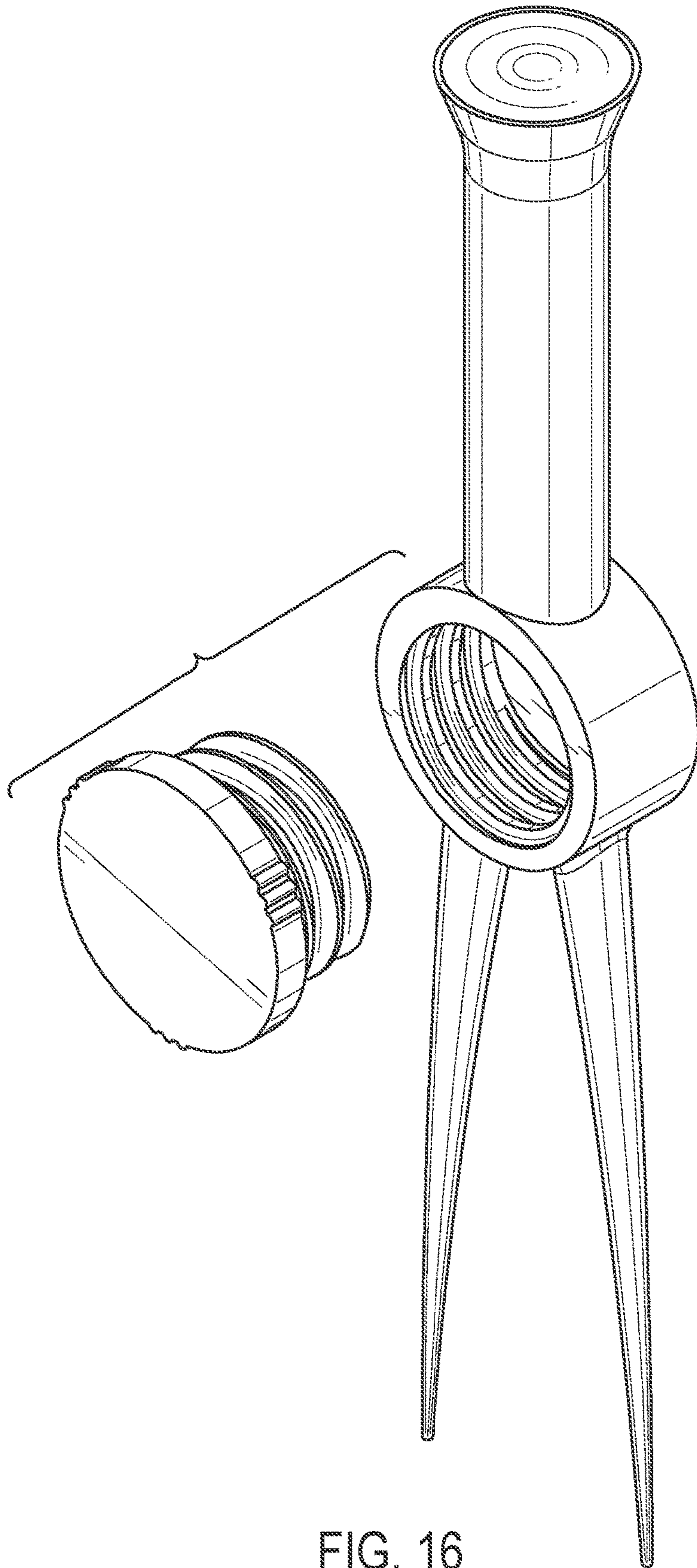


FIG. 16