



US00D842948S

(12) **United States Design Patent**
Sandoval

(10) **Patent No.:** **US D842,948 S**
(45) **Date of Patent:** **** Mar. 12, 2019**

- (54) **EXERCISE CYCLE BOTTLE HOLDER**
- (71) Applicant: **Custom Indoor Cycles, LLC**, Santa Ana, CA (US)
- (72) Inventor: **Andrew Sandoval**, Santa Ana, CA (US)
- (73) Assignee: **Custom Indoor Cycles, LLC**, Santa Ana, CA (US)
- (**) Term: **15 Years**
- (21) Appl. No.: **29/626,376**
- (22) Filed: **Nov. 16, 2017**
- (51) **LOC (11) Cl.** **21-02**
- (52) **U.S. Cl.**
USPC **D21/694**
- (58) **Field of Classification Search**
USPC 211/71.01, 74, 85.31; 248/214; D3/201, D3/316, 318; D6/566; D7/400, 601, D7/602, 620, 622, 708.1; D12/114, 223, D12/406, 411; D21/686, 694
CPC A63B 21/4033; B62J 11/00; A01K 97/10
See application file for complete search history.

8,430,366 B2 *	4/2013	Tincher	A01K 97/10 248/214
D751,867 S *	3/2016	Krumwiede	D7/620
D769,672 S *	10/2016	Gallagher	D7/400
D775,058 S *	12/2016	Overman	D12/411
D775,890 S *	1/2017	Gallagher	D7/400
D817,027 S *	5/2018	Manfre	D6/566

OTHER PUBLICATIONS

Customindoorcycles, "Stages Dual Water Bottle Holder", Oct. 3, 2018. <https://www.customindoorcycles.com/product/stages-dual-water-bottle-holder-rythm-compatible/>. Shown on p. 1. (Year: 2018).*

* cited by examiner

Primary Examiner — Cynthia Ramirez
Assistant Examiner — Michael A Maharajh
(74) *Attorney, Agent, or Firm* — Stetina Brunda Garred and Brucker

(57) **CLAIM**

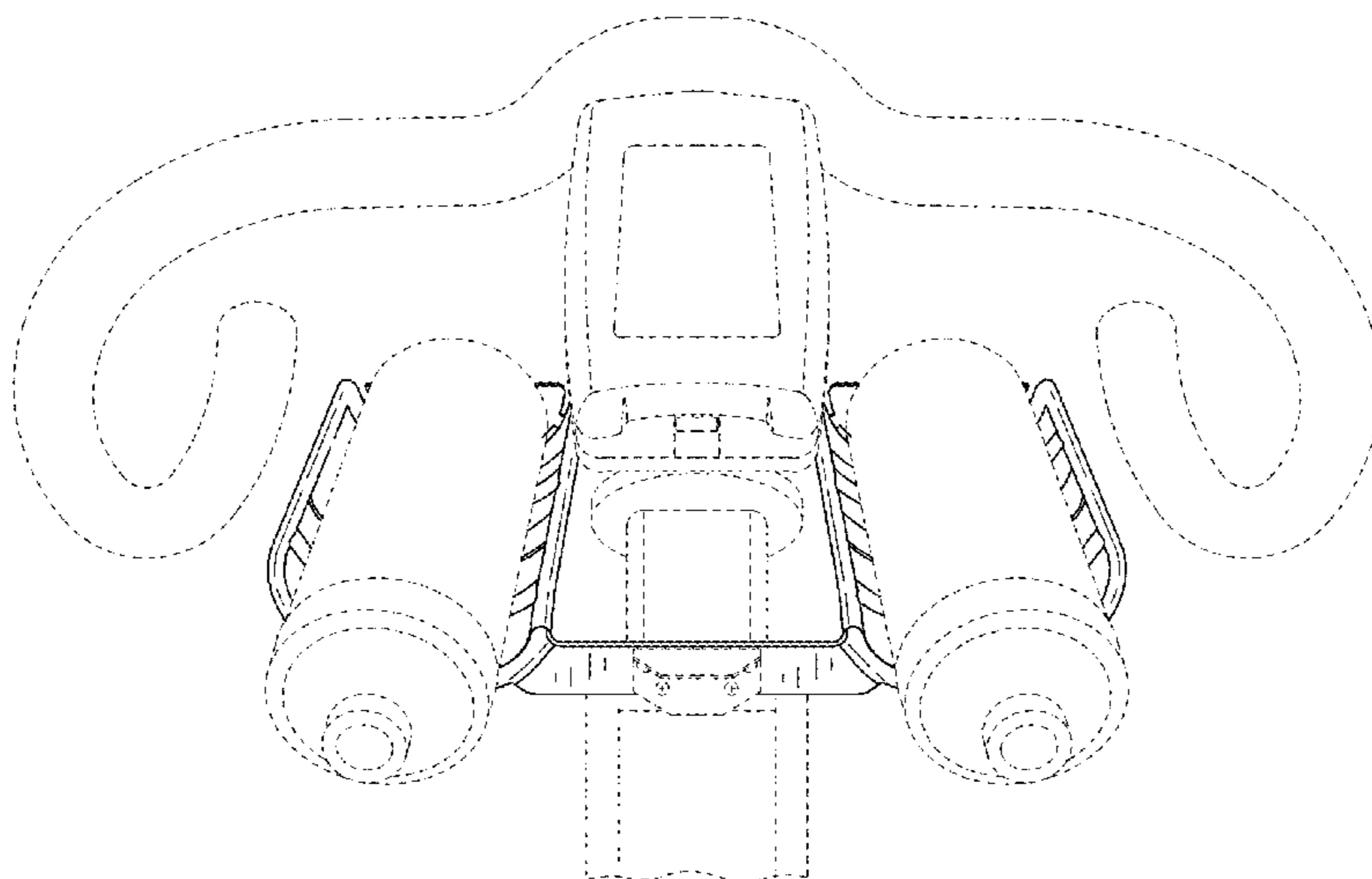
The ornamental design for an exercise cycle bottle holder, as shown and described.

DESCRIPTION

FIG. 1 is a partial perspective view of the exercise cycle bottle holder of the present invention showing my new design;
FIG. 2 is a front perspective view thereof;
FIG. 3 is a top plan view thereof;
FIG. 4 is a front elevational view thereof;
FIG. 5 is a bottom plan view thereof;
FIG. 6 is a rear elevational view thereof;
FIG. 7 is a left side view thereof; and,
FIG. 8 is a right side view thereof.
The broken lines in the drawings are for the purpose of illustrating environmental structure, which form no part of the claimed design.

1 Claim, 3 Drawing Sheets

- (56) **References Cited**
- U.S. PATENT DOCUMENTS**
- 5,190,257 A * 3/1993 Gradei B62J 11/00
248/231.71
- 5,392,971 A * 2/1995 Hsu B62J 11/00
224/414
- D361,924 S * 9/1995 Becker D7/620
- D402,161 S * 12/1998 Fischer, Jr. D7/620
- D492,161 S * 6/2004 Kaller D7/622
- D505,328 S * 5/2005 Chou D9/455
- D593,859 S * 6/2009 Barnum D7/622
- D605,578 S * 12/2009 Retief D12/411
- D607,115 S * 12/2009 Bellamy-Noseworthy D3/316
- D640,624 S * 6/2011 Valiquette D12/411
- D655,986 S * 3/2012 Schneider D7/620
- D659,302 S * 5/2012 Rose D30/121



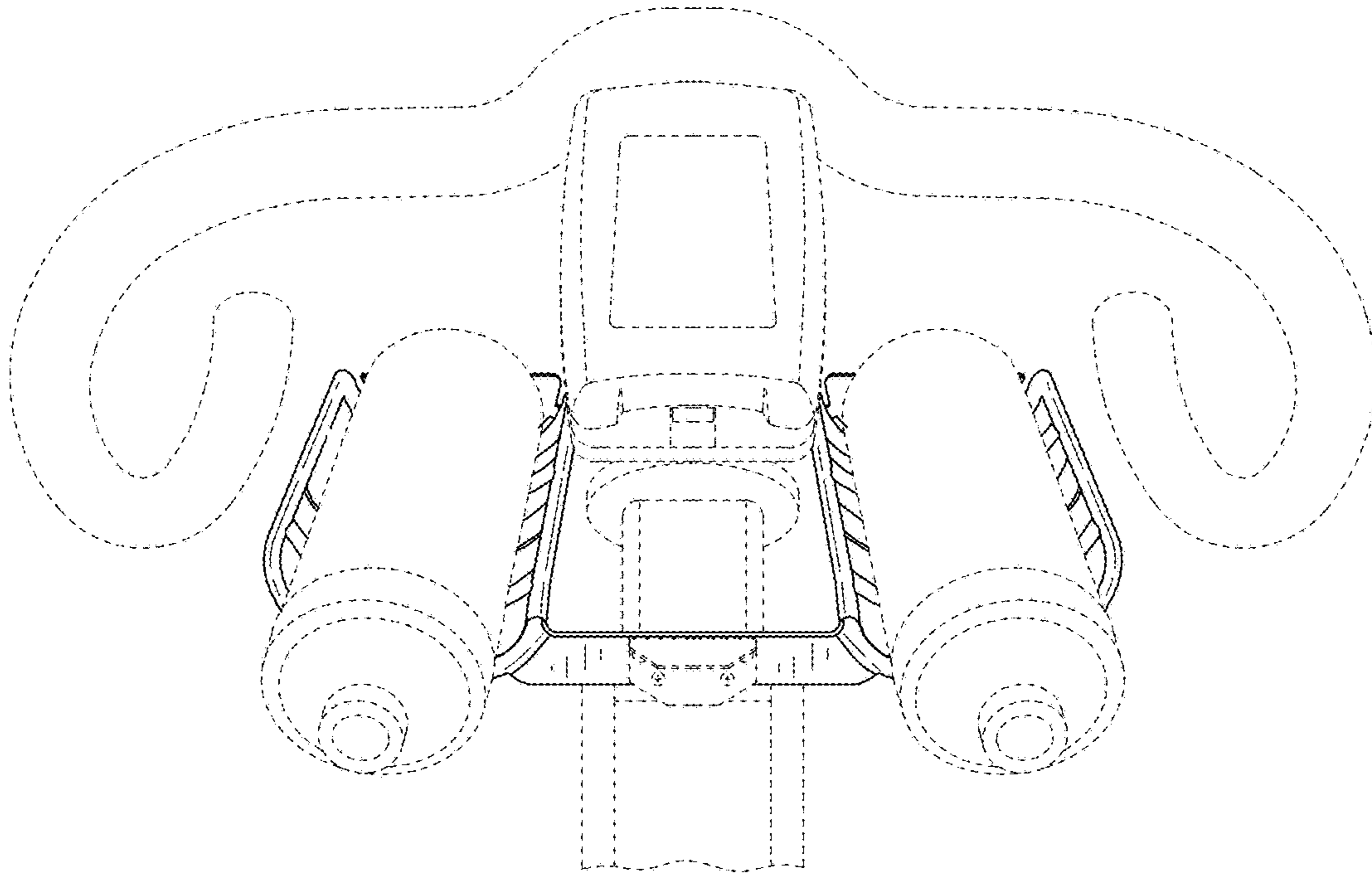


FIG. 1

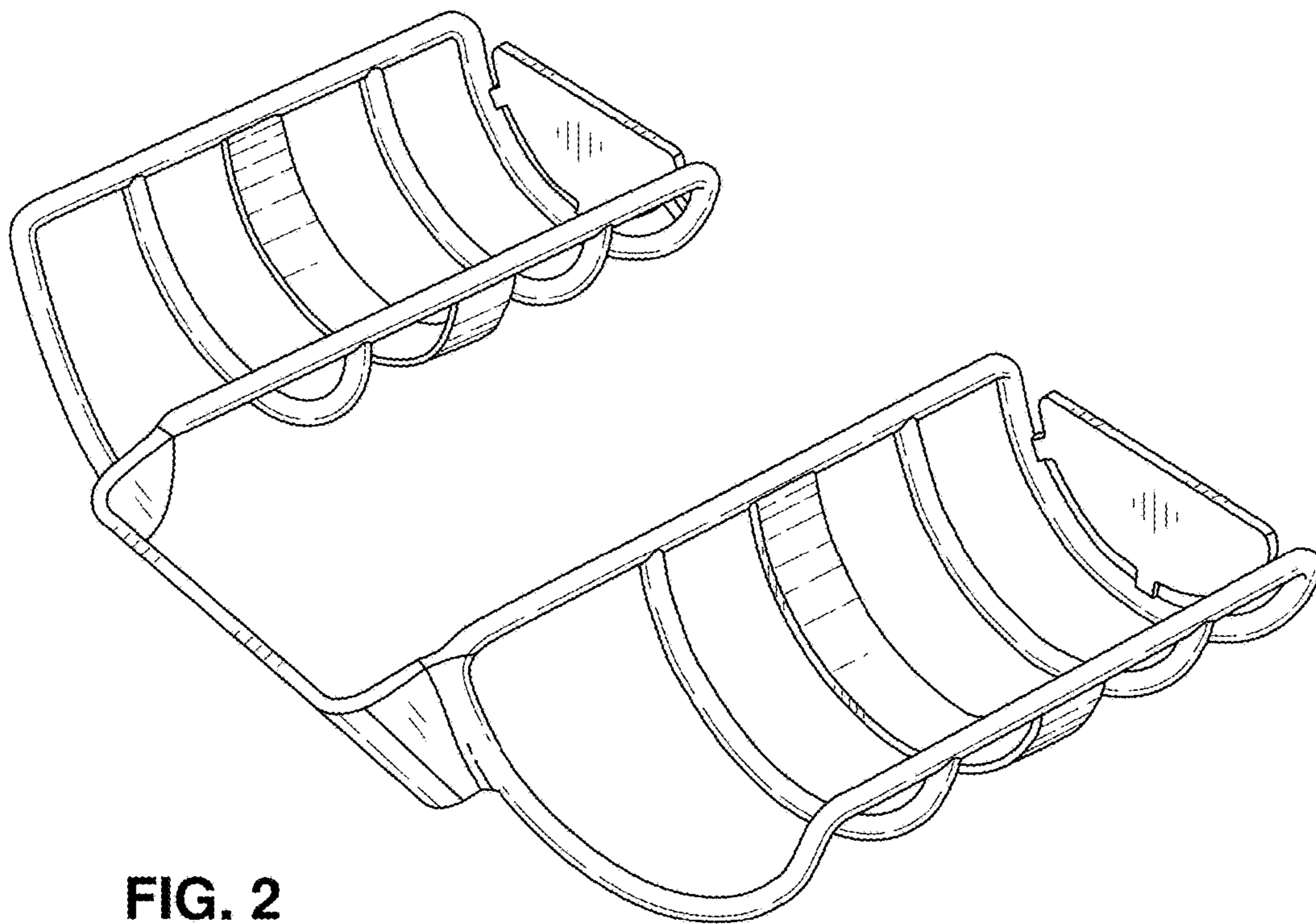


FIG. 2

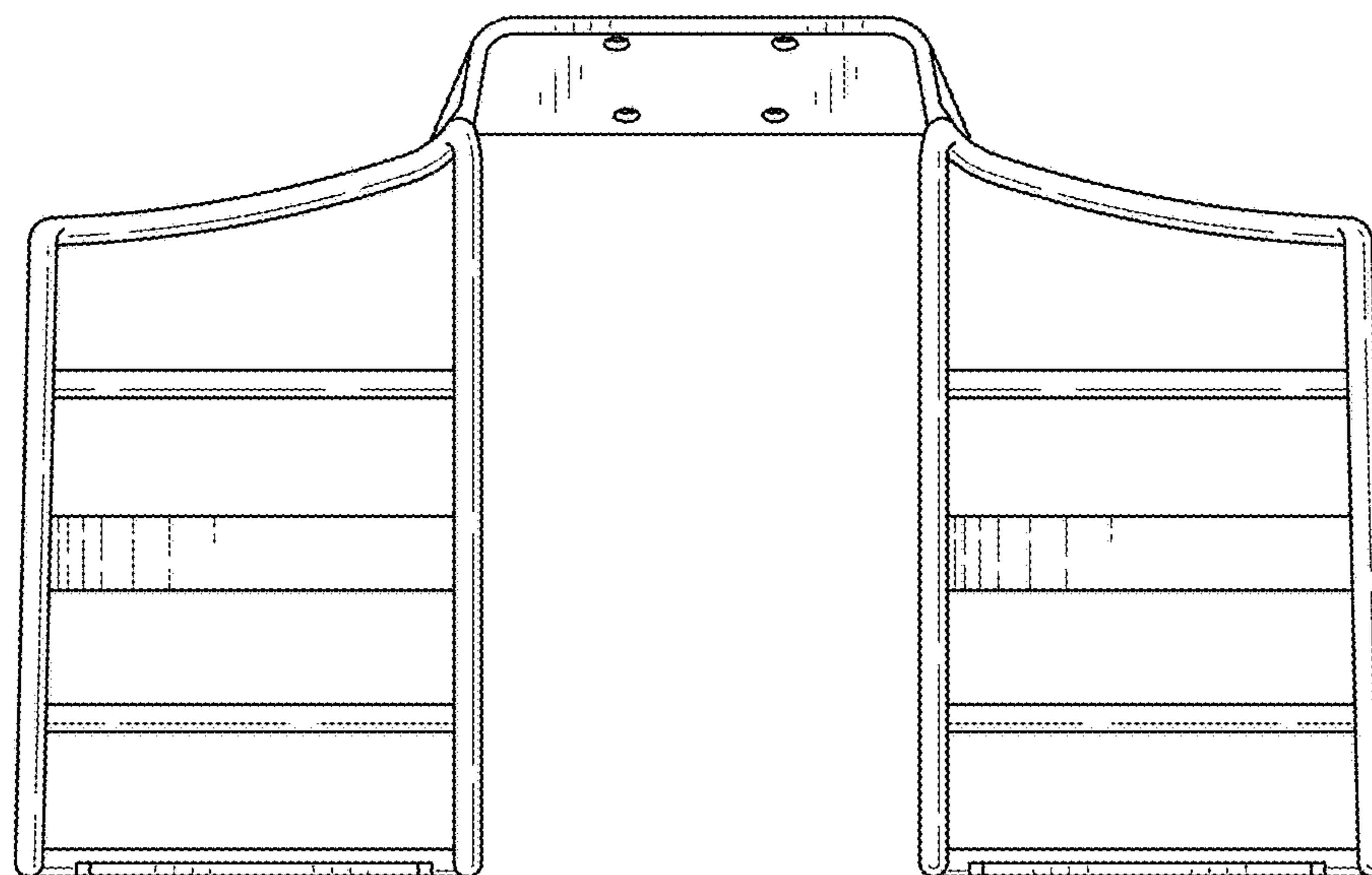


FIG. 3

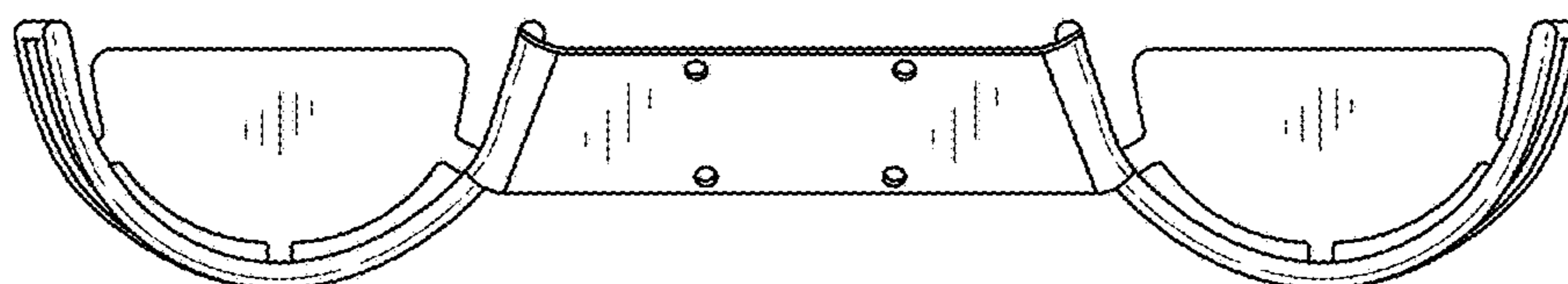


FIG. 4

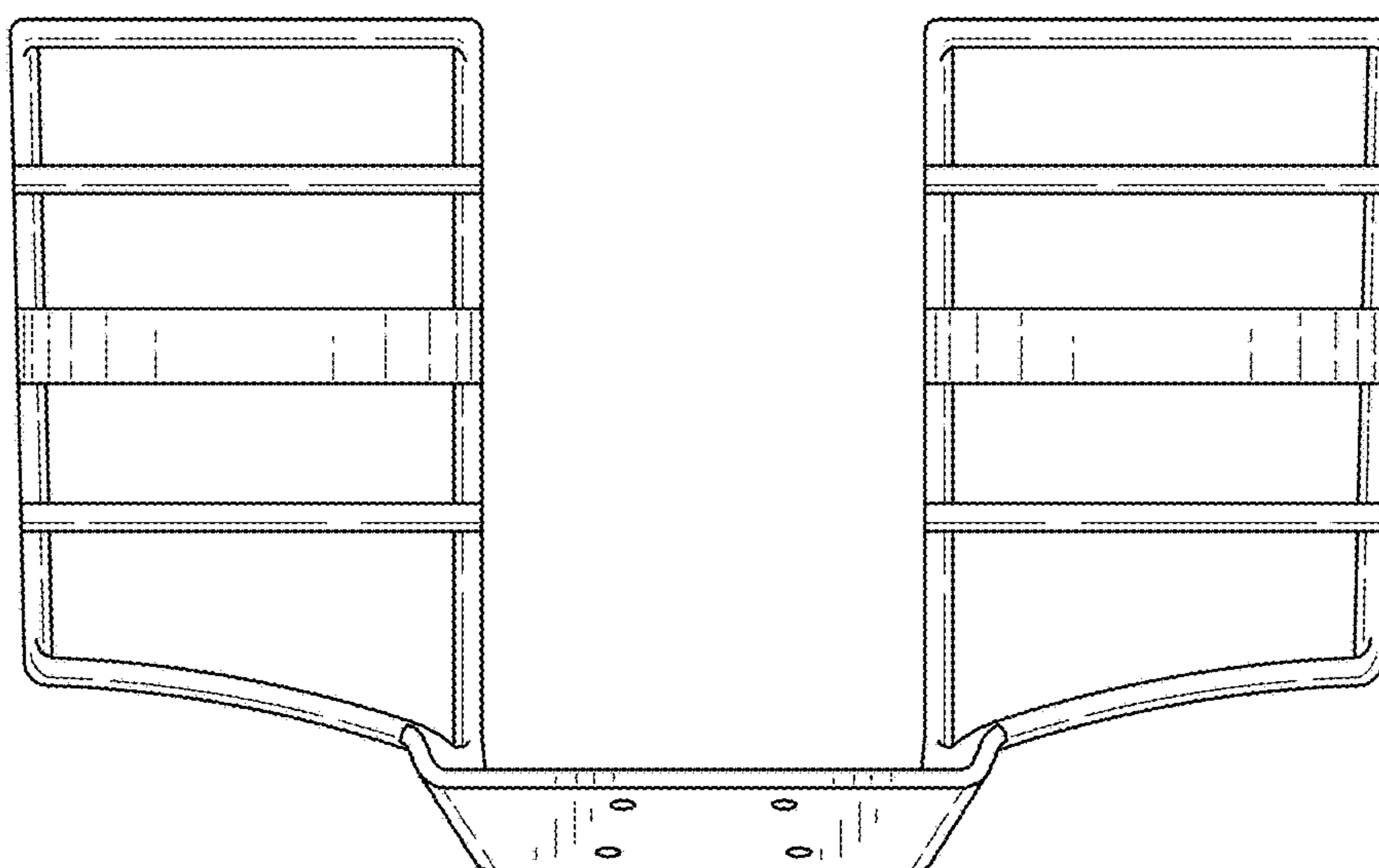


FIG. 5

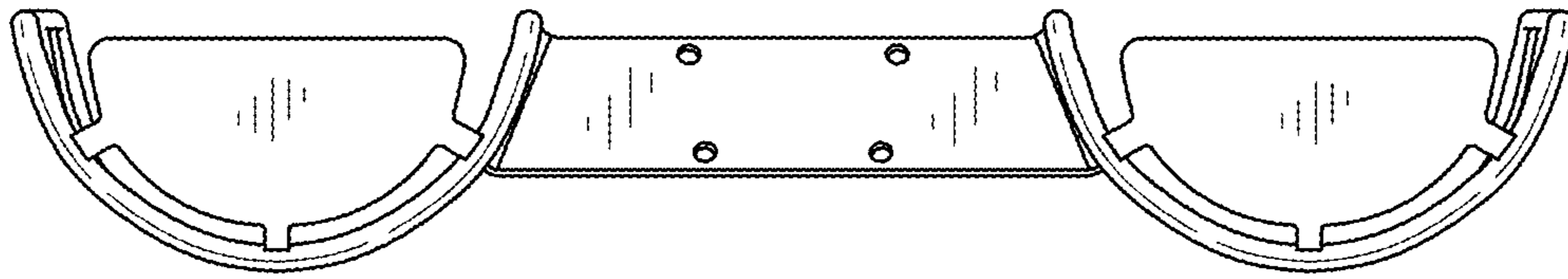


FIG. 6

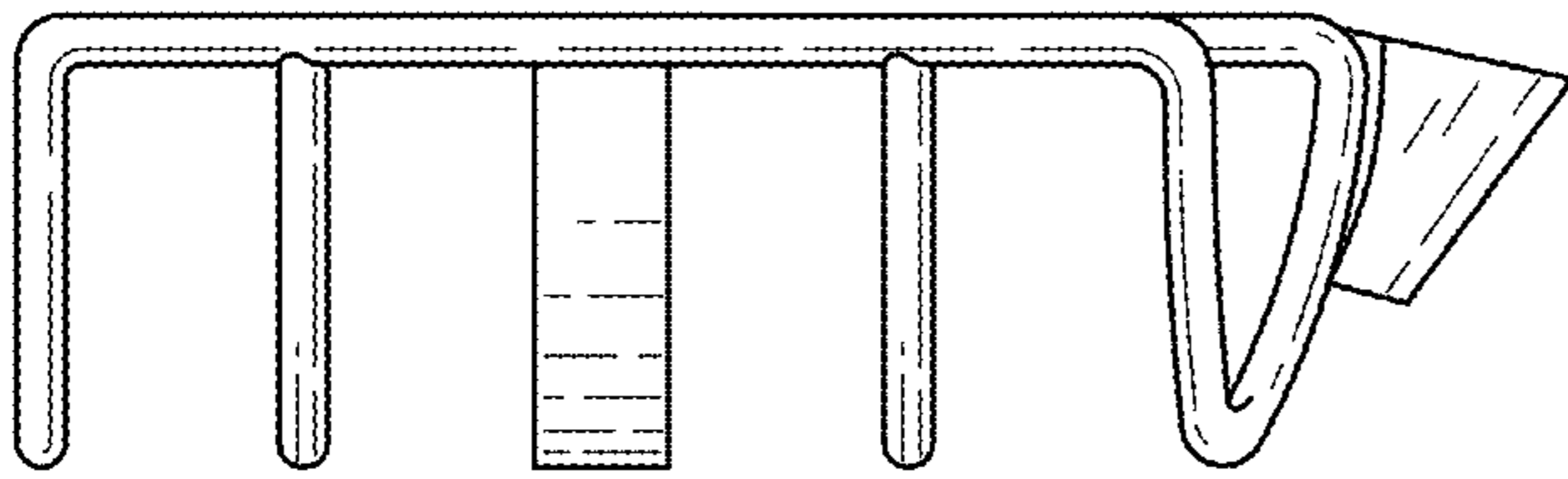


FIG. 7

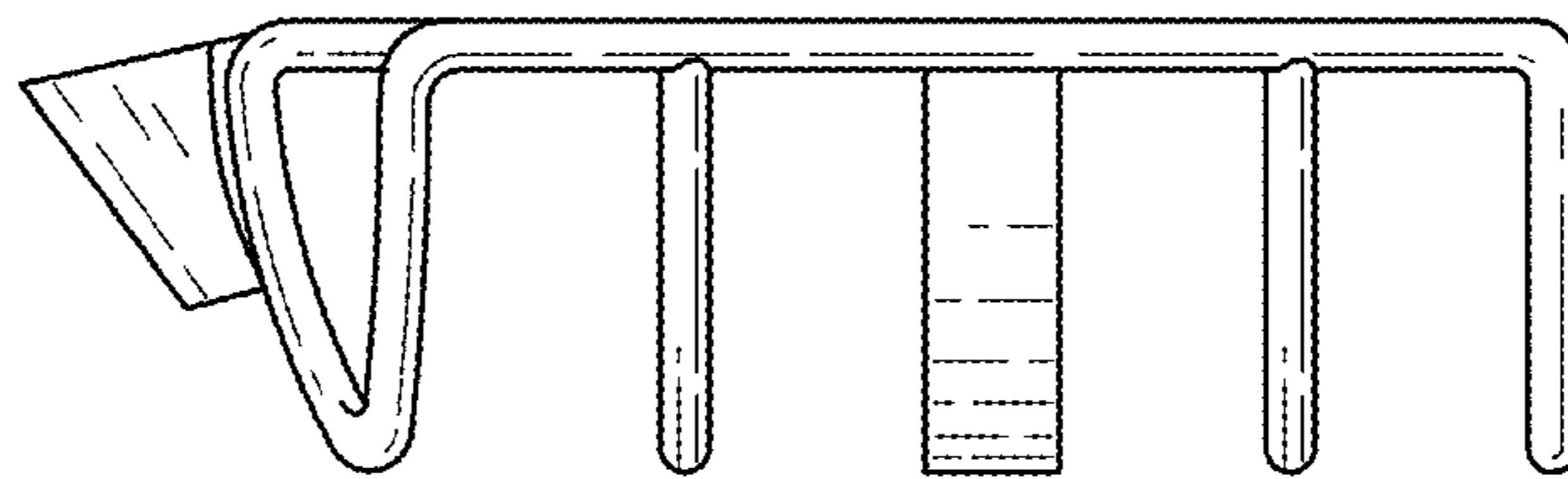


FIG. 8