



US00D842947S

(12) **United States Design Patent**
Kuka

(10) **Patent No.:** **US D842,947 S**
(45) **Date of Patent:** **** Mar. 12, 2019**

(54) **EXERCISE HANDLE**
(71) Applicant: **MoveStrong Functional Fitness Equipment, LLC**, Chattanooga, TN (US)
(72) Inventor: **Jared Kuka**, Chattanooga, TN (US)
(73) Assignee: **MoveStrong Functional Fitness Equipment, LLC**, Chattanooga, TN (US)
(**) Term: **15 Years**

D573,262 S * 7/2008 Soucy D24/211
7,462,140 B1 * 12/2008 Lombardozzi A63B 5/20
482/108
8,033,962 B2 * 10/2011 Veitch A63B 5/20
482/81
8,602,952 B1 * 12/2013 Cruz A63B 21/04
482/121
9,381,391 B1 * 7/2016 Welty, II A63B 5/20
D777,850 S * 1/2017 Kaye D21/692
D780,857 S * 3/2017 Carter D21/672
9,757,604 B2 * 9/2017 Carter A63B 5/20
2013/0165299 A1 * 6/2013 Hunt A63B 5/20
482/82
2014/0243164 A1 * 8/2014 Suplee A63B 5/20
482/82

(21) Appl. No.: **29/603,270**
(22) Filed: **May 8, 2017**
(51) **LOC (11) Cl.** **21-02**
(52) **U.S. Cl.**
USPC **D21/694**
(58) **Field of Classification Search**
USPC ... 482/106, 108, 49, 110, 126, 121, 51, 127,
482/93, 10, 46, 125, 82, 141; D30/160,
D30/151; D21/682, 662, 692, 456, 684,
D21/457, 691, 686, 679, 694, 753, 672,
D21/681; D11/3, 13, 6, 93; 24/598.2;
446/28; D8/303; D24/211, 190, 200;
D22/147; D19/174, 184, 906, 905, 917
CPC ... A63B 5/20; A63B 2208/12; A63B 21/4035;
A63B 21/0552; A63B 21/0557; A63B
5/205
See application file for complete search history.

* cited by examiner

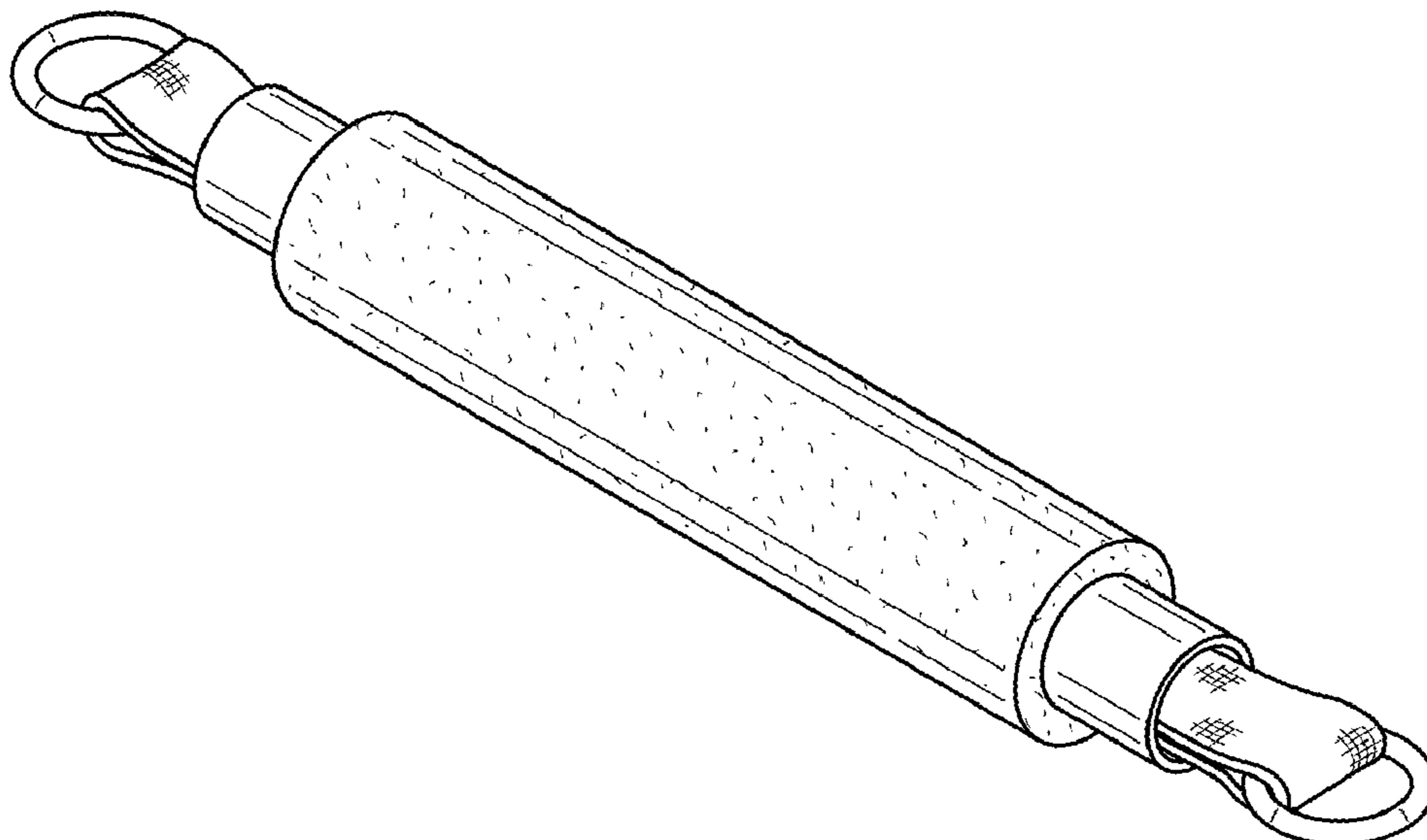
Primary Examiner — Ryan Harvey
(74) *Attorney, Agent, or Firm* — Patterson Intellectual Property Law, P.C.; Ryan D. Levy

(56) **References Cited**
U.S. PATENT DOCUMENTS
D245,769 S * 9/1977 Chihara D11/13
7,086,951 B2 * 8/2006 Chang F41B 15/00
463/47.5

(57) **CLAIM**
What is claimed is the ornamental design for an exercise handle, as shown and described.

DESCRIPTION
FIG. 1 is a front perspective view showing the exercise handle of Applicant's invention.
FIG. 2 is a top view of the exercise handle of Applicant's invention.
FIG. 3 is a front view of the exercise handle of Applicant's invention.
FIG. 4 is a right view of the exercise handle of Applicant's invention; and,
FIG. 5 is a view of the exercise handle of Applicant's invention in use.
The broken lines shown in the drawings depict environment and form no part of the claim.

1 Claim, 2 Drawing Sheets



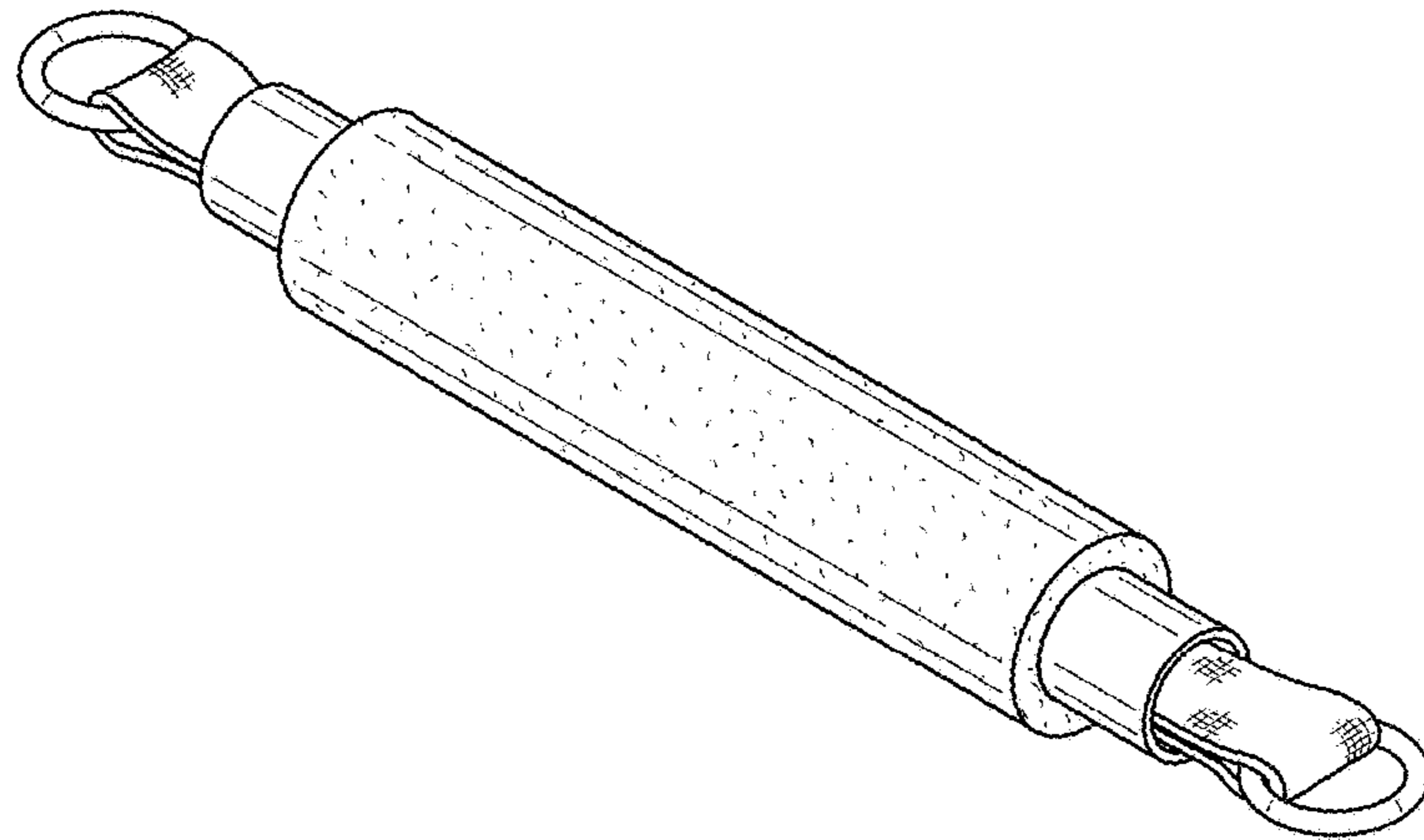


FIG. 1

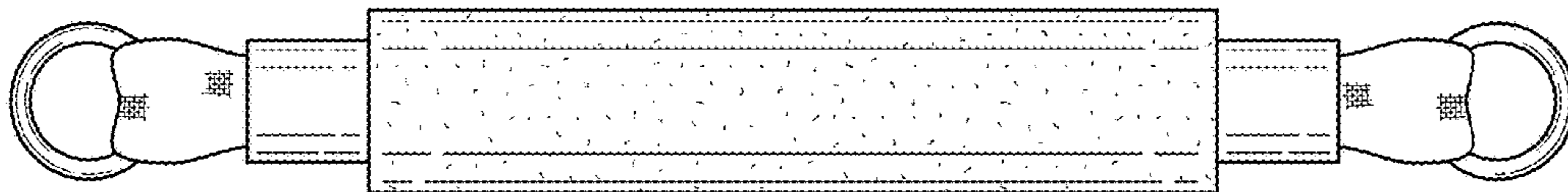


FIG. 2

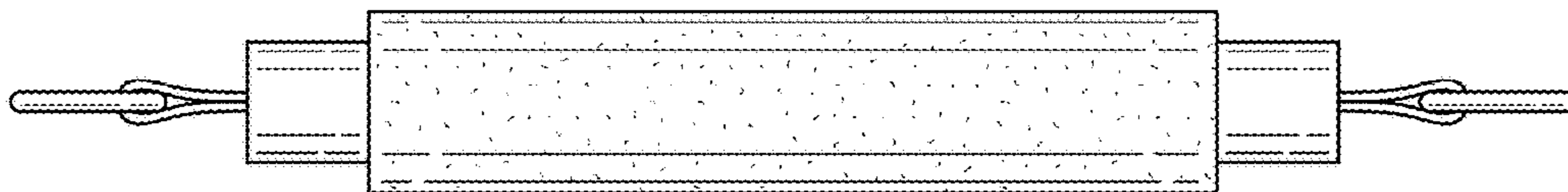


FIG. 3

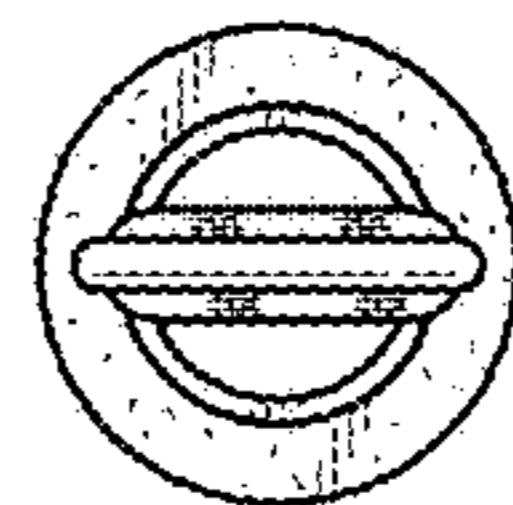


FIG. 4

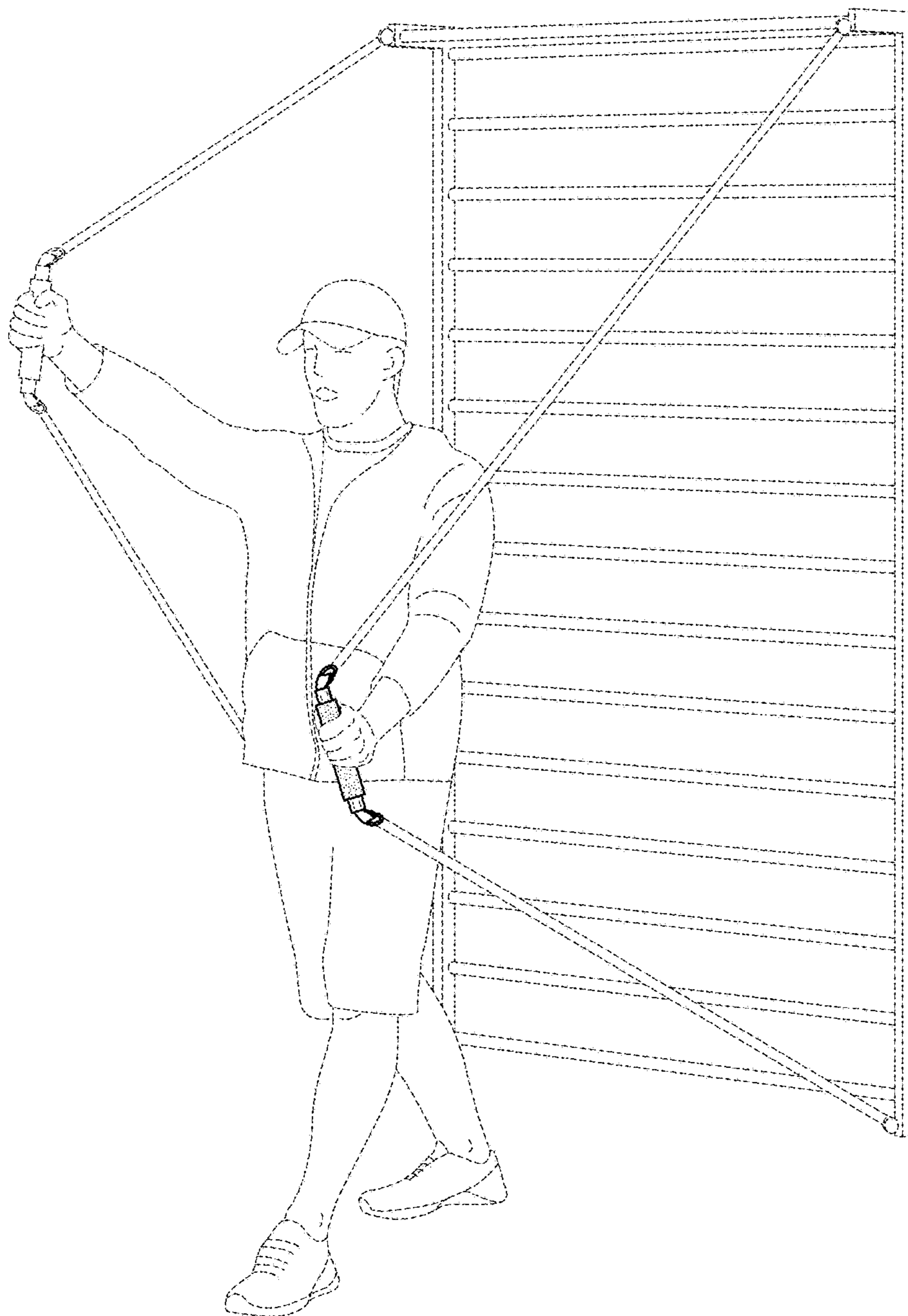


FIG. 5