



US00D842946S

(12) **United States Design Patent** (10) **Patent No.:** **US D842,946 S**
Hetrick et al. (45) **Date of Patent:** **** Mar. 12, 2019**

(54) **EXERCISE APPARATUS WALL ANCHOR**
 (71) Applicant: **Fitness Anywhere LLC**, San Francisco, CA (US)
 (72) Inventors: **Randal Hetrick**, San Francisco, CA (US); **Mauricio Hernan Delgado**, San Anselmo, CA (US)
 (73) Assignee: **FITNESS ANYWHERE LLC**, San Francisco, CA (US)

(**) Term: **15 Years**

(21) Appl. No.: **29/575,116**

(22) Filed: **Aug. 22, 2016**

(51) **LOC (11) Cl.** **21-02**

(52) **U.S. Cl.**
USPC **D21/694**

(58) **Field of Classification Search**
 USPC D8/356; 482/91, 140, 139, 145, 129; D21/687
 CPC A63B 21/0552; A63B 21/0442; A63B 21/4035; A63B 21/0557; A63B 23/0211; A63B 21/04; A63B 21/1663
 See application file for complete search history.

(56) **References Cited**

U.S. PATENT DOCUMENTS

680,556 A * 8/1901 Wieland A63B 21/1654 482/129
 1,040,887 A * 10/1912 Coffman E05C 17/52 292/76
 2,050,652 A * 8/1936 Fleming A63B 23/0211 482/140
 4,185,816 A * 1/1980 Bernstein A63B 21/1645 482/140
 4,212,458 A * 7/1980 Bizilia A63B 21/1654 482/140
 D274,828 S * 7/1984 Evans D21/687
 D277,218 S * 1/1985 Hinds D21/687

D281,006 S * 10/1985 Durushia D21/687
 4,550,907 A * 11/1985 Melillo A63B 23/0211 482/140
 4,653,747 A * 3/1987 Newcomer A63B 23/0211 482/140
 5,290,215 A * 3/1994 Lin A63B 23/0211 482/139
 D369,841 S * 5/1996 Yang D21/687
 9,433,258 B2 * 9/2016 Hetrick A44B 11/2557
 (Continued)

OTHER PUBLICATIONS

Invizi-Mount by TRX dated no date given. Found online [May 7, 2018] <https://store.trxtraining.com/products/trx-invizi-mount>.*

Primary Examiner — Ryan Harvey
(74) *Attorney, Agent, or Firm* — Duane Morris LLP

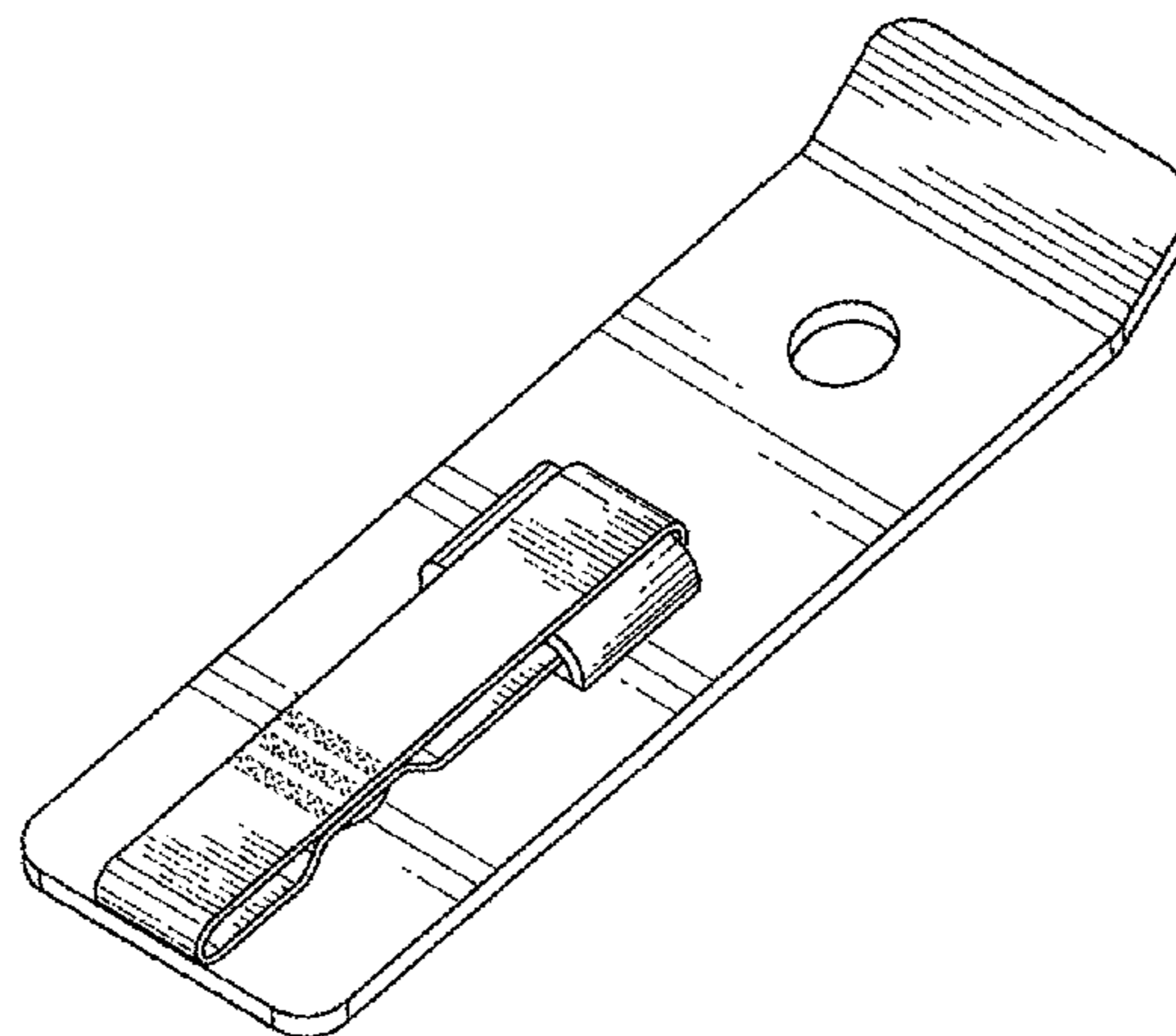
(57) **CLAIM**

The ornamental design of the exercise apparatus wall anchor, as shown and described.

DESCRIPTION

FIG. 1 is a perspective view of the exercise apparatus wall anchor;
 FIG. 2 is a front view of the exercise apparatus wall anchor of FIG. 1;
 FIG. 3 is a side view of the exercise apparatus wall anchor of FIG. 1;
 FIG. 4 is a back view of the exercise apparatus wall anchor of FIG. 1;
 FIG. 5 is a top view of the exercise apparatus wall anchor of FIG. 1; and,
 FIG. 6 is a view of the exercise apparatus wall anchor of FIG. 1 connected to an exercise apparatus.
 In the drawings, the three broken line stripes on the front of the design represent stitching and form part of the claimed design. The broken line showing of straps and handles in FIG. 6 depicts environment and forms no part of the claim.

1 Claim, 4 Drawing Sheets



(56)

References Cited

U.S. PATENT DOCUMENTS

D808,251 S * 1/2018 Hetrick D8/356
2007/0173383 A1 * 7/2007 Feigenbaum A63B 21/1663
482/91
2011/0237410 A1 * 9/2011 Perez A63B 21/0557
482/129

* cited by examiner

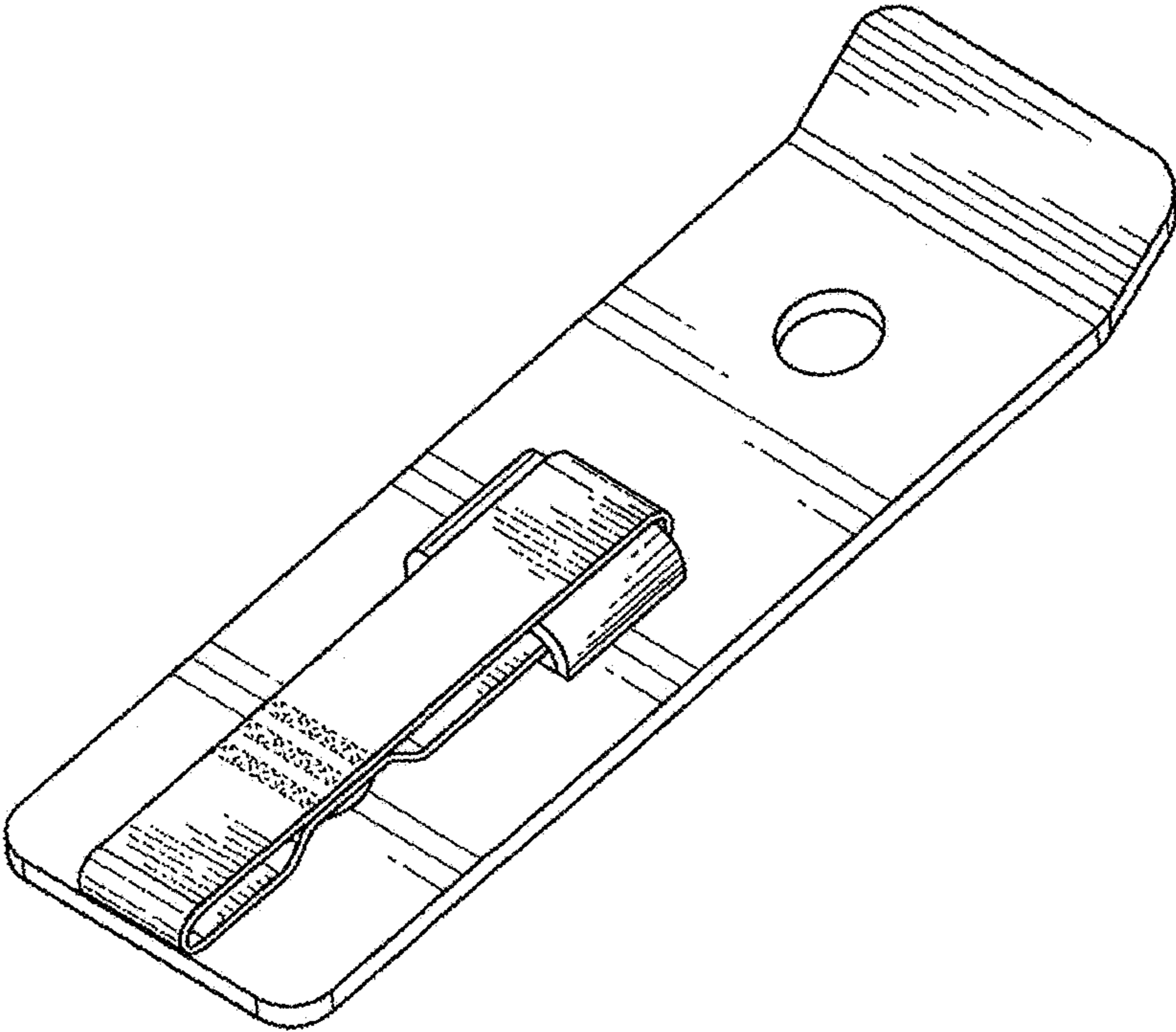


FIG. 1

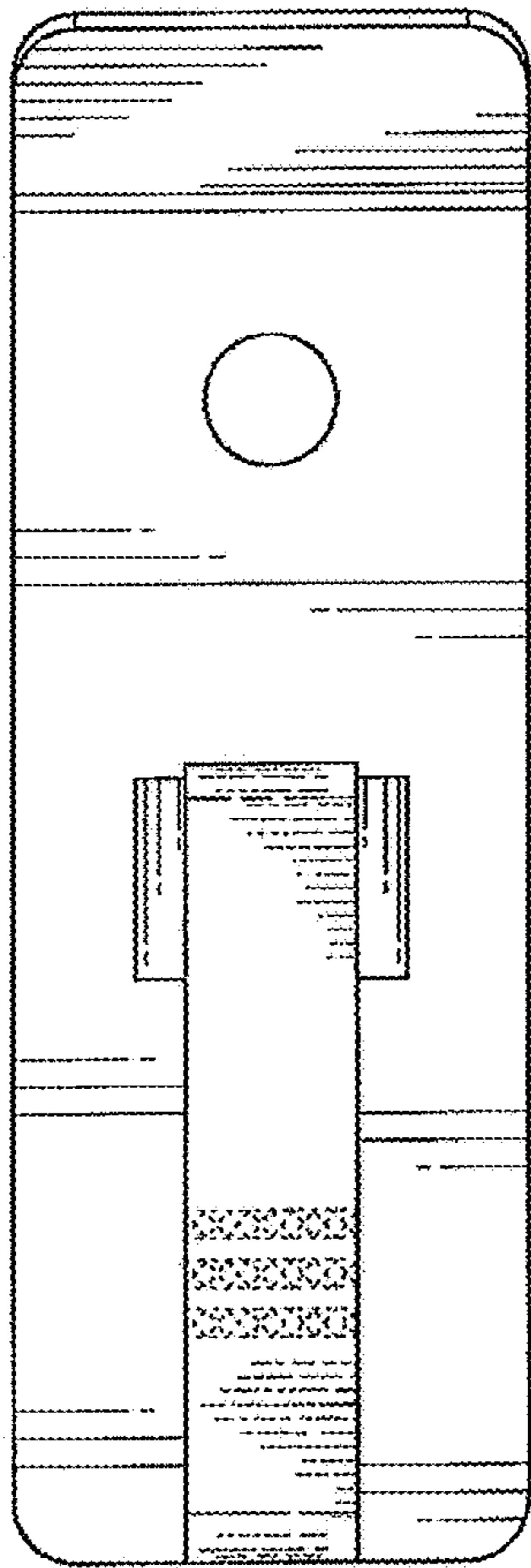


FIG. 2



FIG. 3

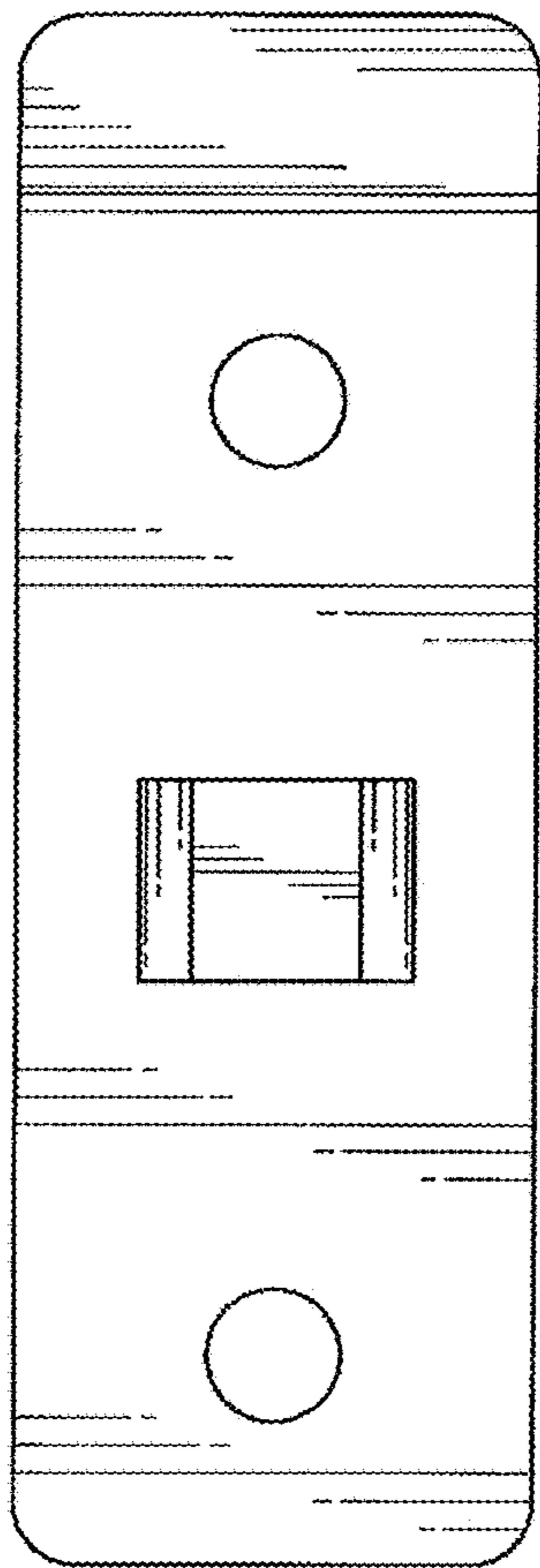


FIG. 4

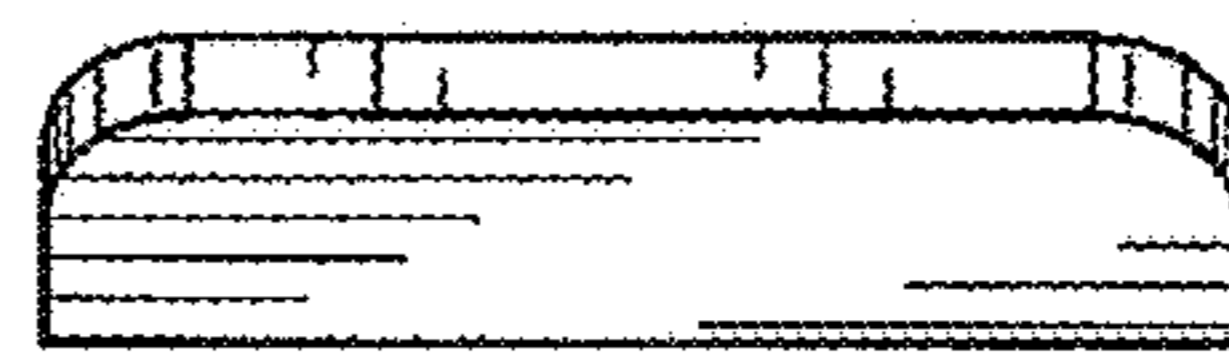


FIG. 5

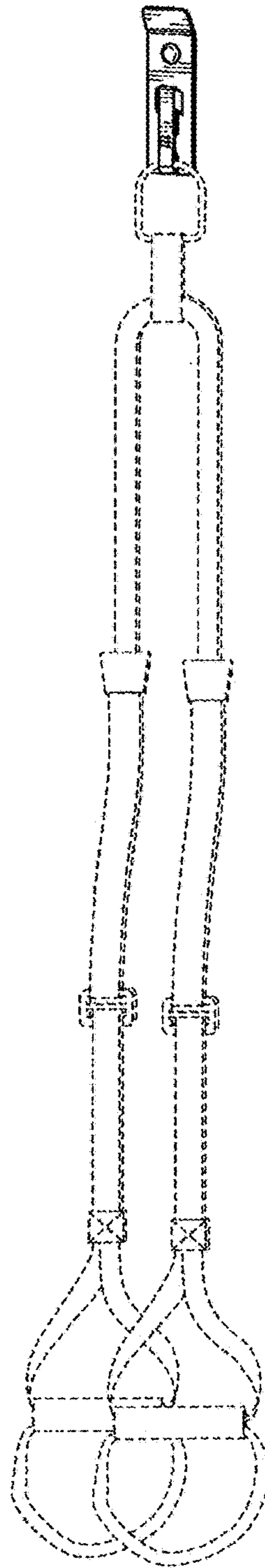


FIG. 6