



US00D842943S

(12) **United States Design Patent**
Slotnick

(10) **Patent No.:** **US D842,943 S**

(45) **Date of Patent:** **** Mar. 12, 2019**

(54) **SLIDE BOARD**

(71) Applicant: **Varisport, Inc.**, Northbrook, IL (US)

(72) Inventor: **Barry M. Slotnick**, Glencoe, IL (US)

(73) Assignee: **VARISPORT, INC.**, Northbrook, IL (US)

(**) Term: **15 Years**

(21) Appl. No.: **29/610,216**

(22) Filed: **Jul. 10, 2017**

Related U.S. Application Data

(60) Division of application No. 29/549,798, filed on Dec. 28, 2015, which is a continuation of application No. 13/773,620, filed on Feb. 21, 2013.

(51) **LOC (11) Cl.** **21-02**

(52) **U.S. Cl.**
USPC **D21/686**

(58) **Field of Classification Search**
USPC D21/790, 686, 671, 306, 302; 428/195.1, 428/207, 906, 71, 304.4, 317.1; D6/592,
(Continued)

(56) **References Cited**

U.S. PATENT DOCUMENTS

4,779,862 A * 10/1988 Keppler A63B 69/0022
482/51
4,940,226 A * 7/1990 Carra A63B 69/0022
434/253

(Continued)

OTHER PUBLICATIONS

UltraSlide by Jessica Jaime dated Dec. 8, 2014. Found online [Nov. 23, 2016]<https://www.youtube.com/watch?v=vXhDgKfPAqo>.*

Primary Examiner — Ryan Harvey

(74) *Attorney, Agent, or Firm* — Richards Patent Law P.C.

(57) **CLAIM**

The ornamental design for a slide board, as shown and described.

DESCRIPTION

FIG. 1 is a perspective view of a slide board showing my new design, with bumpers arranged in an octagon formation on the slide board;

FIG. 2 is a plan view of the slide board of FIG. 1;

FIG. 3 is a front view of the slide board of FIG. 1, which is identical to the rear view;

FIG. 4 is a bottom plan view of the slide board of FIG. 1;

FIG. 5 is a right side view of the slide board of FIG. 1, which is identical to the left side view;

FIG. 6 is a perspective view of a slide board showing my new design, with the bumpers arranged in an octagon formation spaced from the slide board;

FIG. 7 is a plan view of the slide board of FIG. 6;

FIG. 8 is a front view of the slide board of FIG. 6, which is identical to the rear view;

FIG. 9 is a bottom plan view of the slide board of FIG. 6;

FIG. 10 is a right side view of the slide board of FIG. 6, which is identical to the left side view;

FIG. 11 is a perspective view of a slide board showing my new design, with bumpers arranged at opposite sides on the slide board;

FIG. 12 is a plan view of the slide board of FIG. 11;

FIG. 13 is a front view of the slide board of FIG. 11, which is identical to the rear view;

FIG. 14 is a bottom plan view of the slide board of FIG. 11;

FIG. 15 is a right side view of the slide board of FIG. 11, which is identical to the left side view;

FIG. 16 is a perspective view of a slide board showing my new design, with bumpers arranged at opposite sides spaced from the slide board;

FIG. 17 is a plan view of the slide board of FIG. 16;

FIG. 18 is a front view of the slide board of FIG. 16, which is identical to the rear view;

FIG. 19 is a bottom plan view of the slide board of FIG. 16; and,

(Continued)

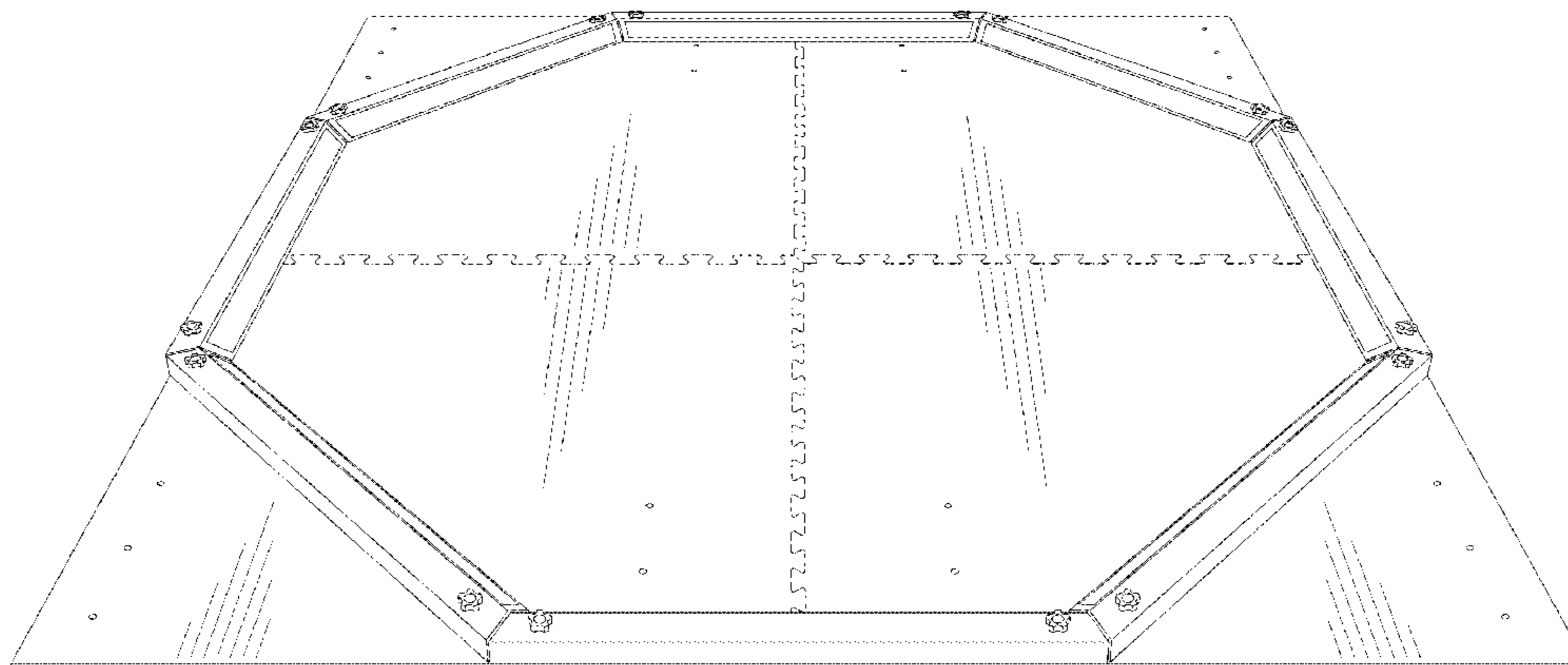


FIG. 20 is a right side view of the slide board of FIG. 16, which is identical to the left side view. Those portions of the figures that are presented in broken lines merely illustrate the environment of the design and are not part of the claimed design.

1 Claim, 12 Drawing Sheets

(58) Field of Classification Search

USPC D6/591, 589, 588, 583, 582; 5/417, 420; 482/23, 142, 51, 148, 13, 30, 52, 74, 909; D25/138; 434/258, 236, 19, 71
CPC ... A63B 21/4037; A63B 6/00; A63B 2210/50; A63B 23/0458; A63B 2208/0204; Y10T 428/24802

See application file for complete search history.

(56) References Cited

U.S. PATENT DOCUMENTS

5,114,387 A * 5/1992 Keppler A63B 21/4037 434/253
D330,922 S * 11/1992 Novakoski D21/686

D336,671 S * 6/1993 Novakoski D21/686
D349,139 S * 7/1994 Markland D21/686
5,342,260 A * 8/1994 Markland A63B 69/0022 434/253
D351,876 S * 10/1994 Koblick D21/686
5,352,165 A * 10/1994 Koblick A63B 22/20 434/253
D355,001 S * 1/1995 Koblick D21/686
5,509,870 A * 4/1996 Lloyd A63B 21/4037 434/253
6,132,338 A * 10/2000 Shifferaw A63B 5/08 482/30
D470,602 S * 2/2003 Pate D25/138
D615,792 S * 5/2010 Leigh D6/582
D633,158 S * 2/2011 Bruschke D21/662
D634,029 S * 3/2011 Jianzhong D25/138
D746,386 S * 12/2015 Mahoney D21/671
2004/0229731 A1 * 11/2004 Mitchell A63B 6/00 482/23
2013/0217552 A1 * 8/2013 Slotnick A63B 22/20 482/142

* cited by examiner

FIG. 1

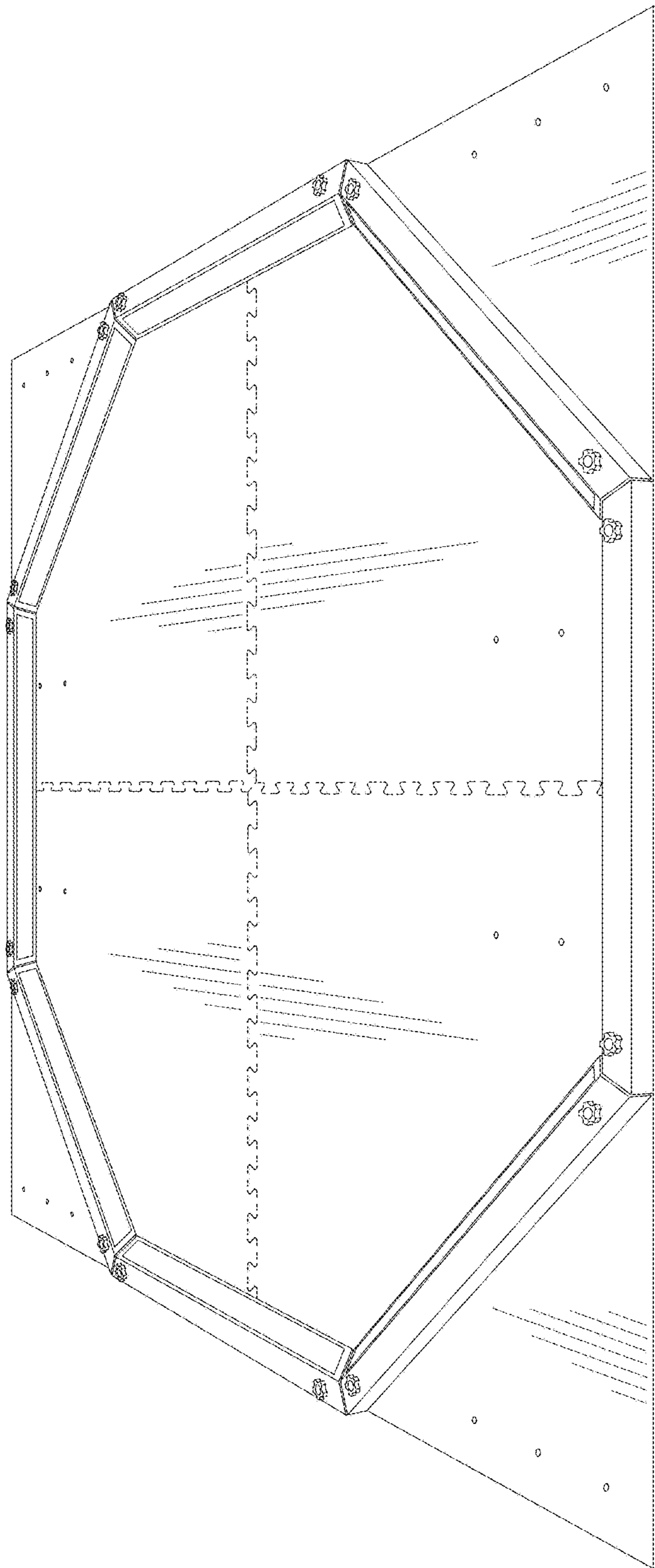


FIG. 2

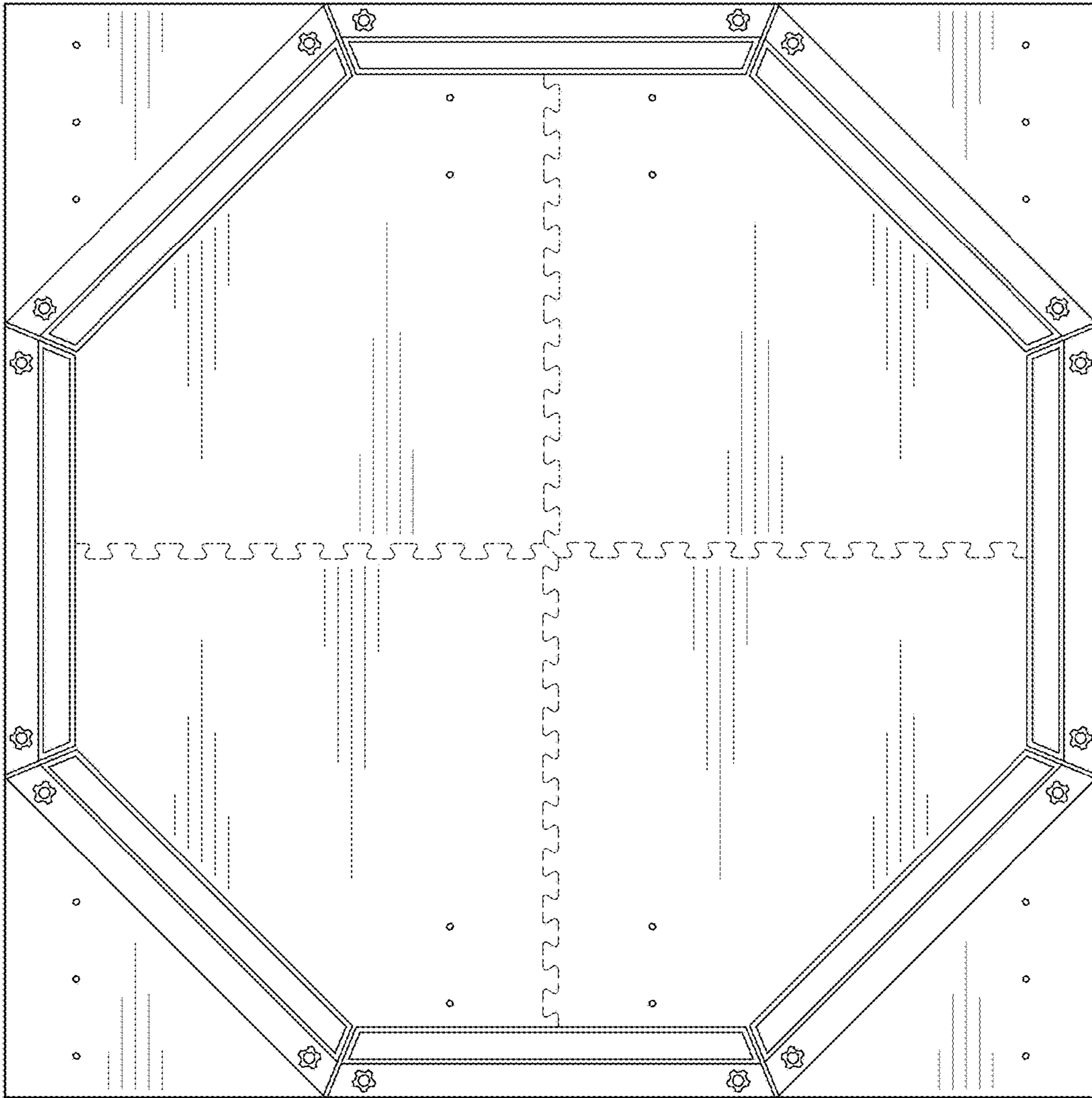


FIG. 3

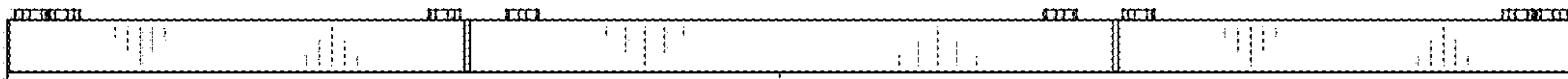


FIG. 4

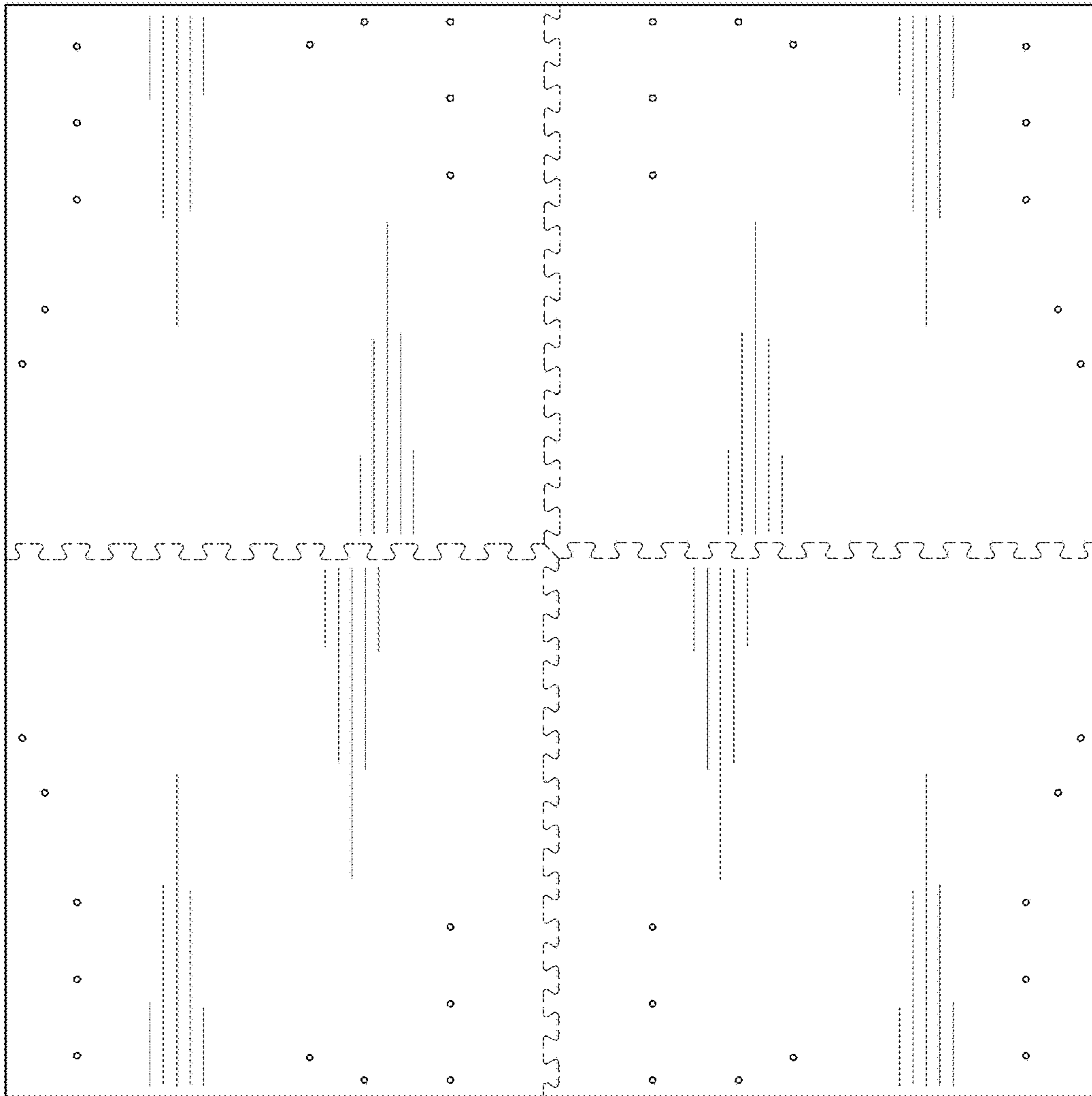


FIG. 5

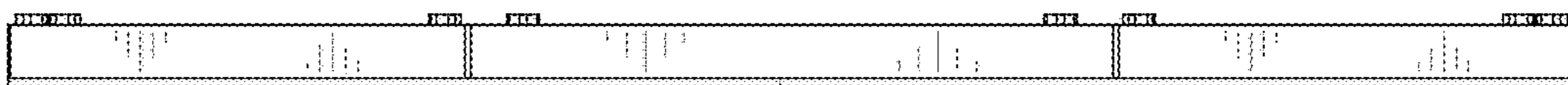


FIG. 6

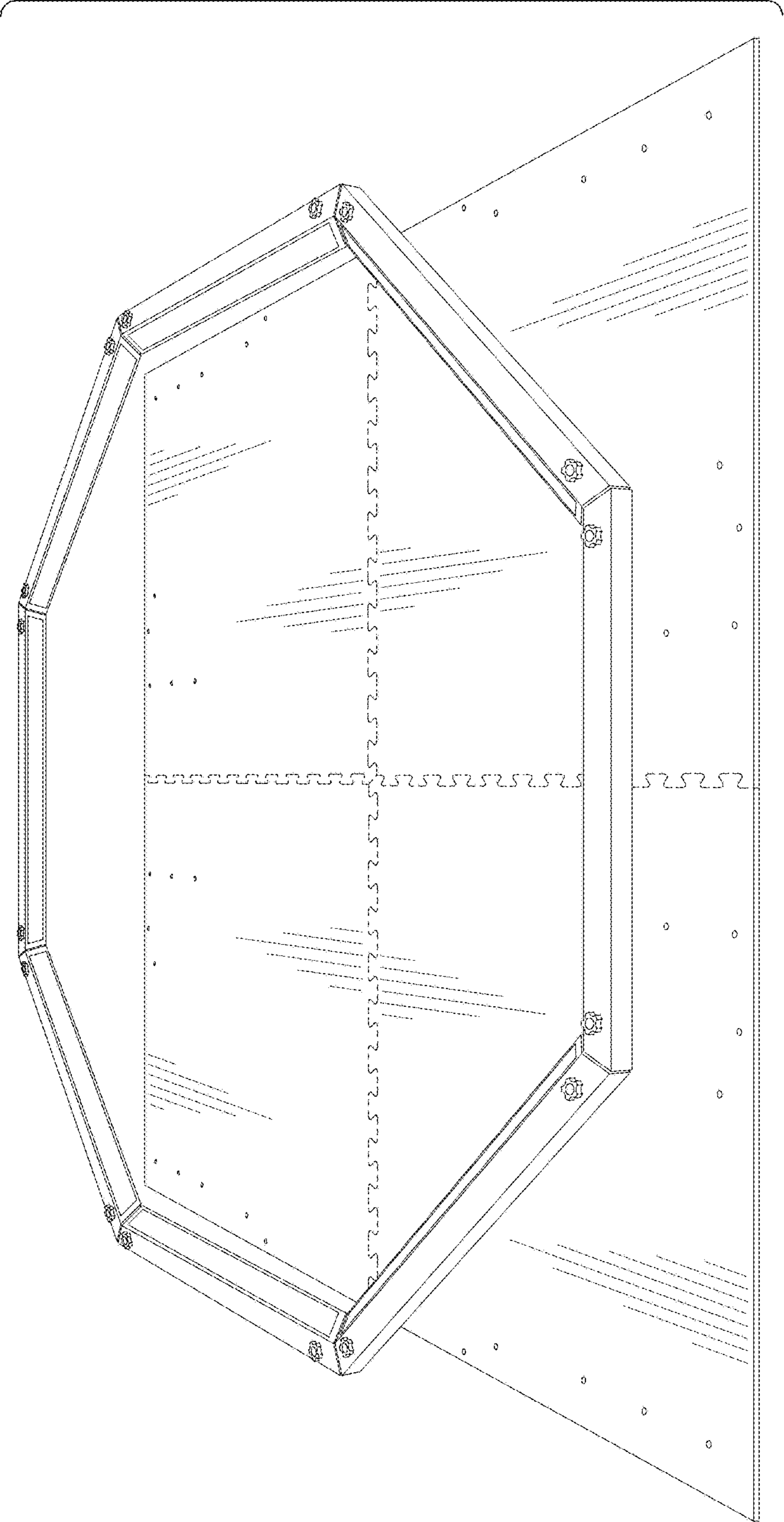


FIG. 7

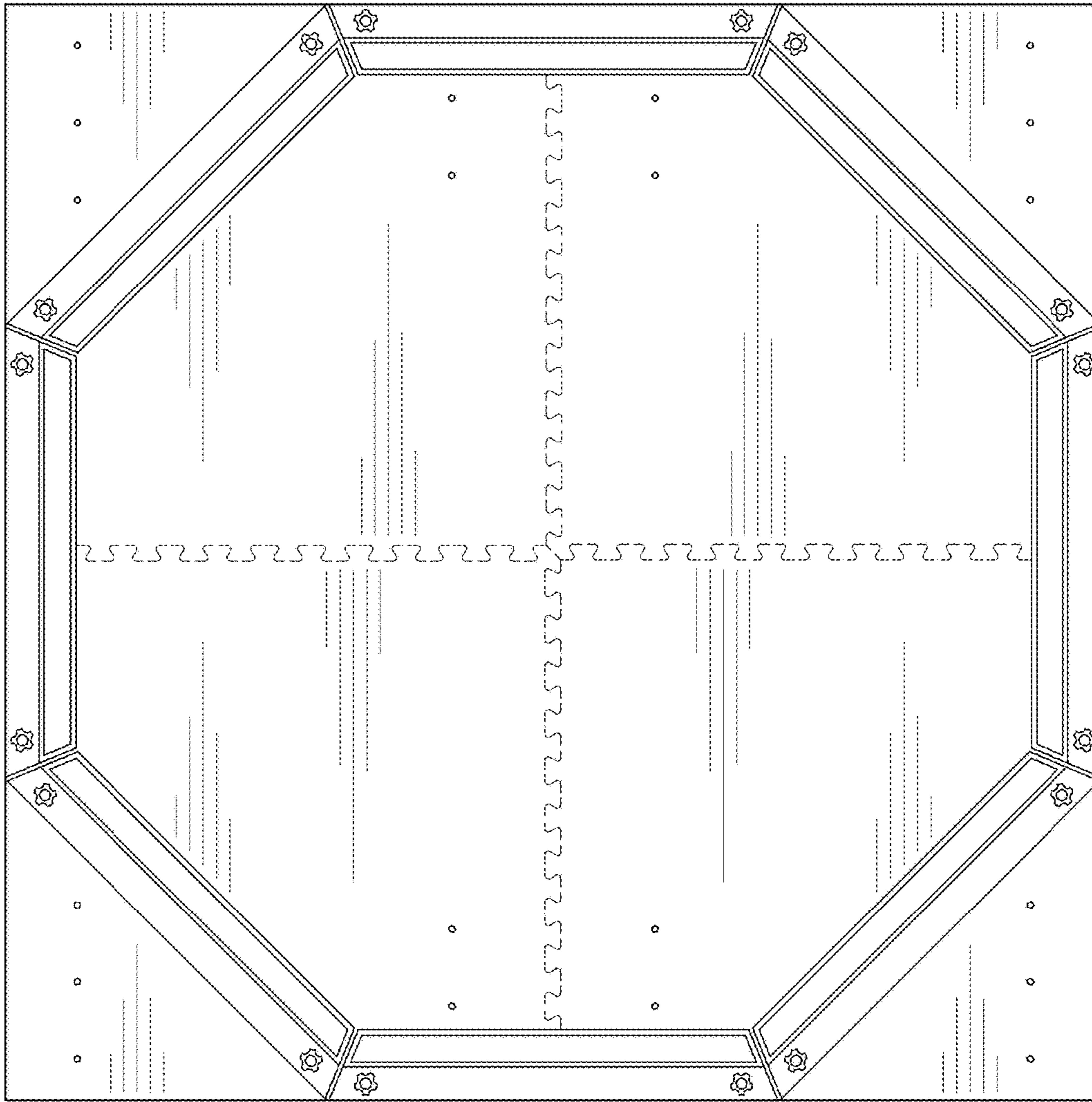


FIG. 8

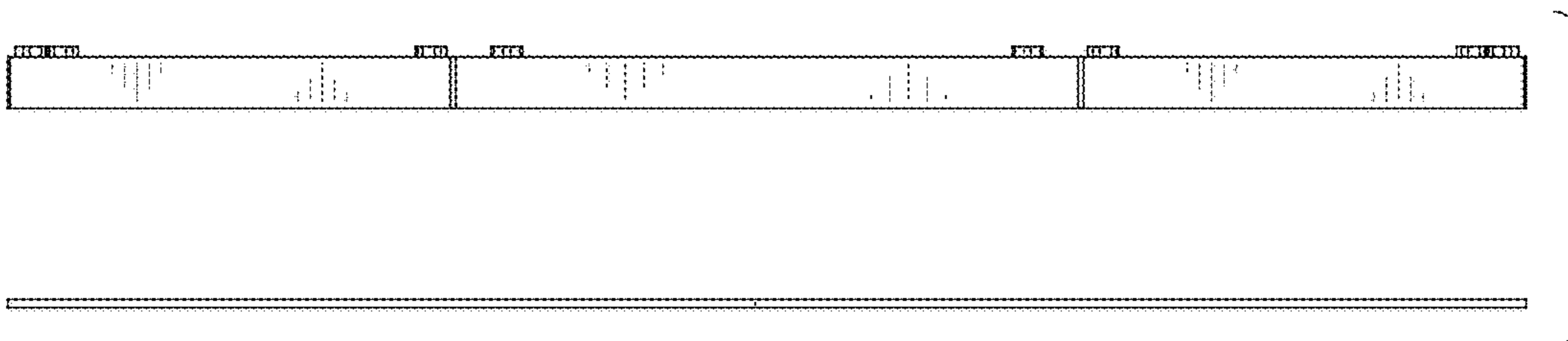


FIG. 9

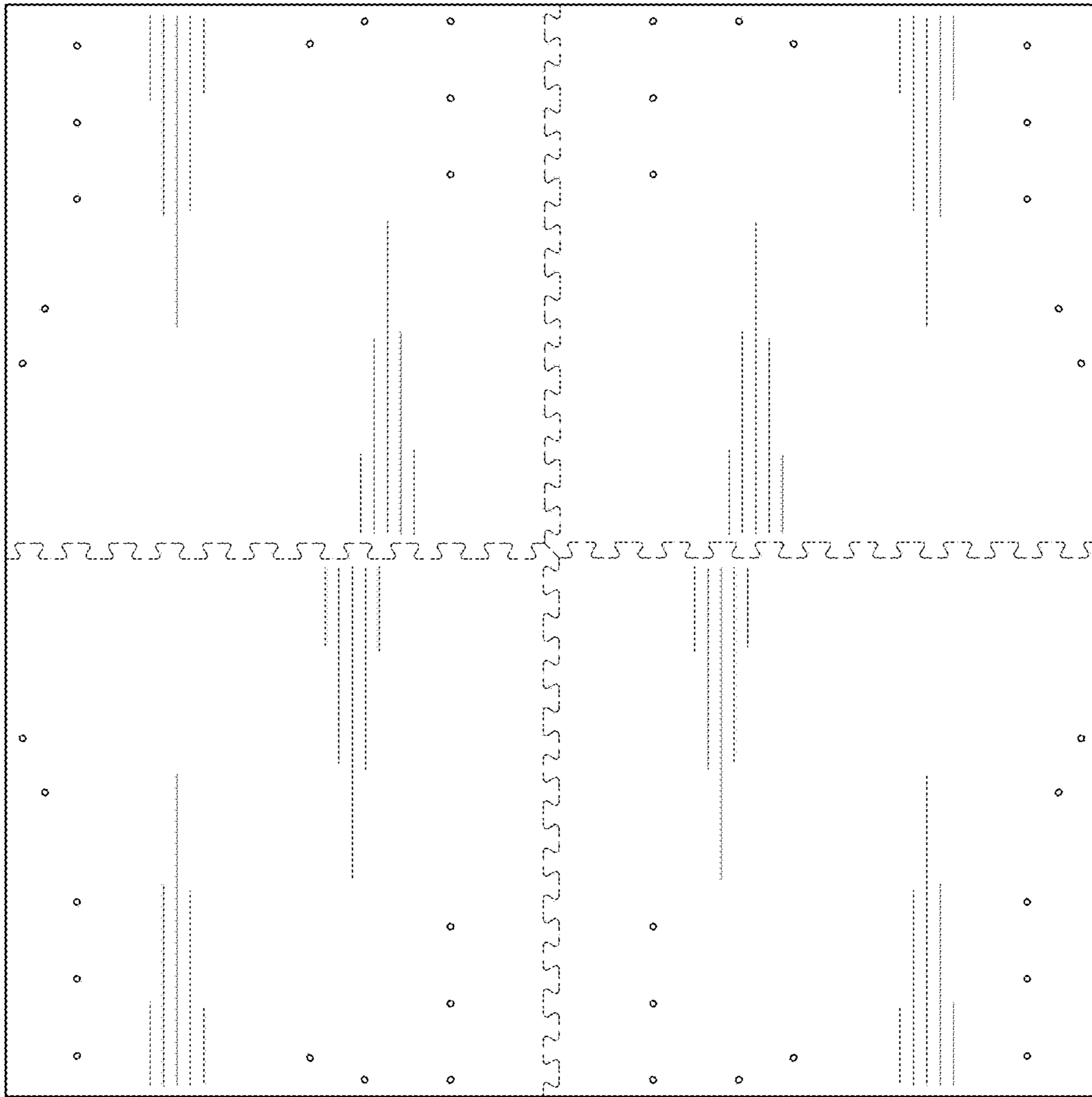
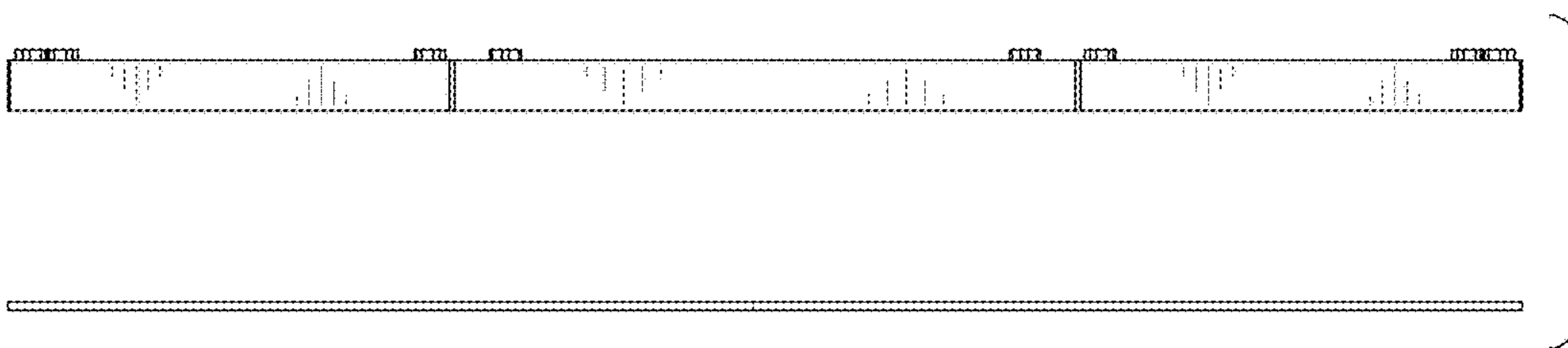


FIG. 10



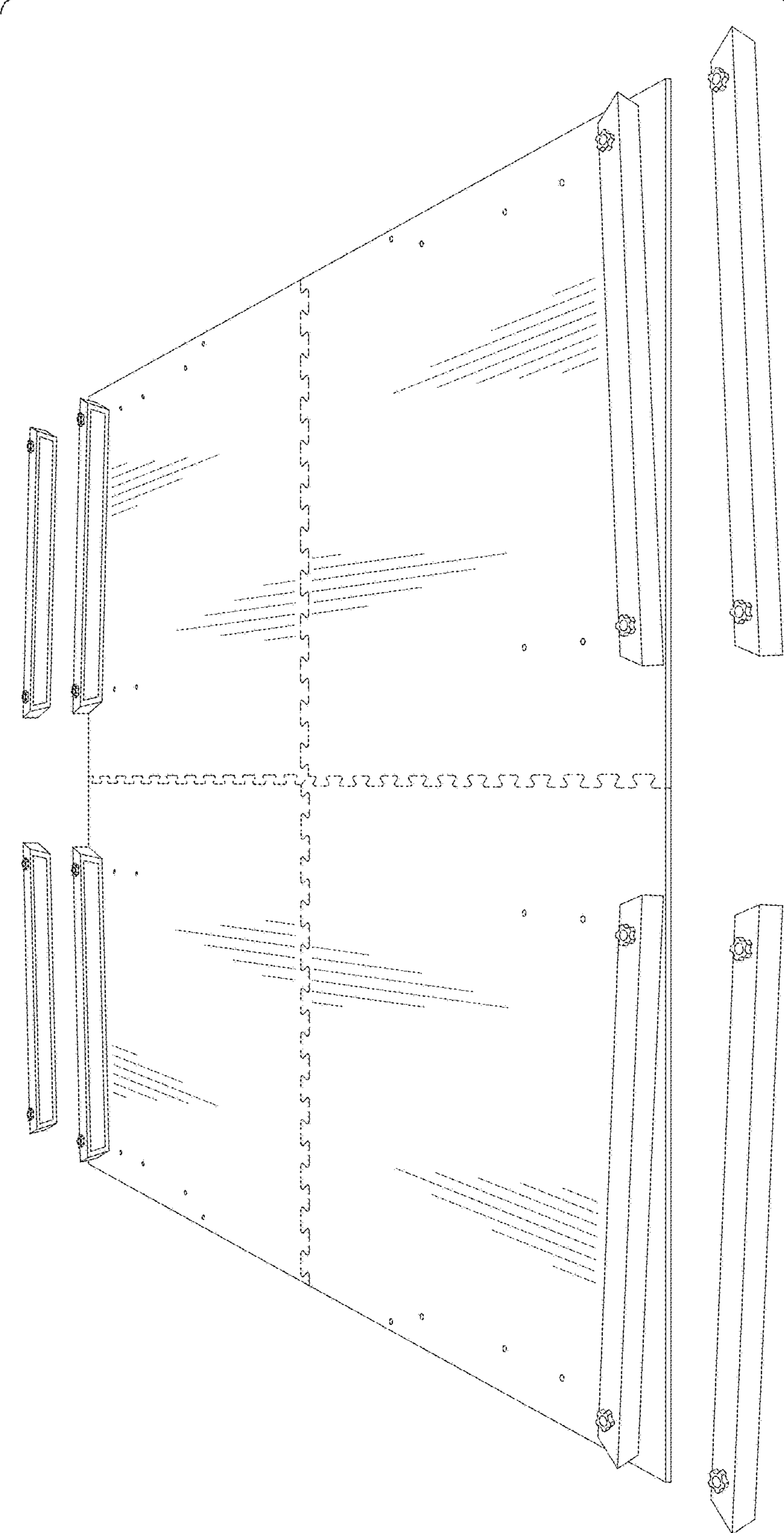


FIG. 11

FIG. 12

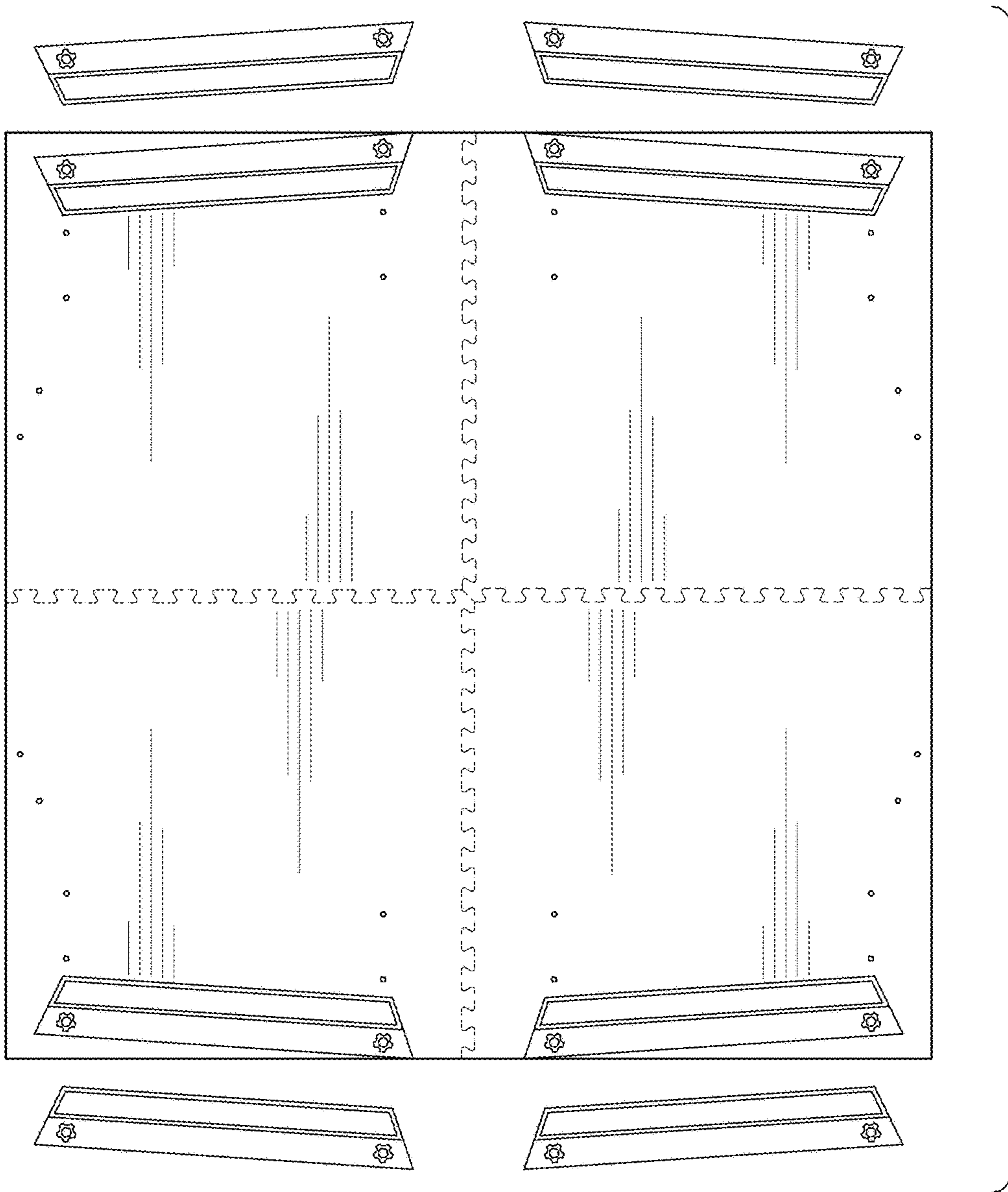


FIG. 13

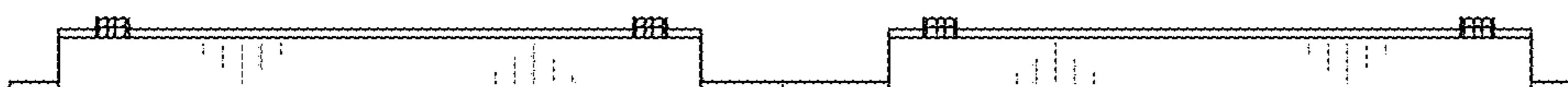


FIG. 14

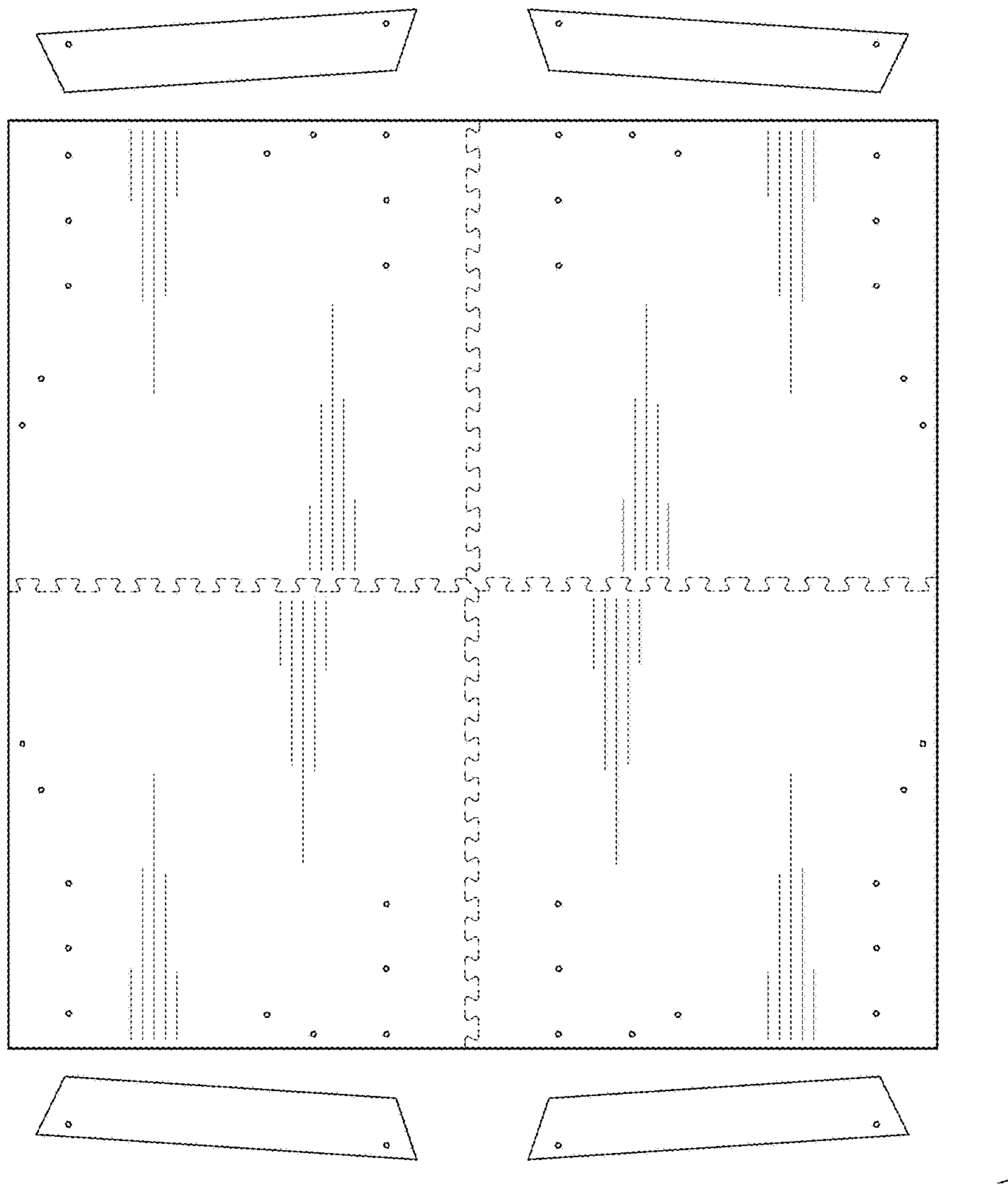


FIG. 15

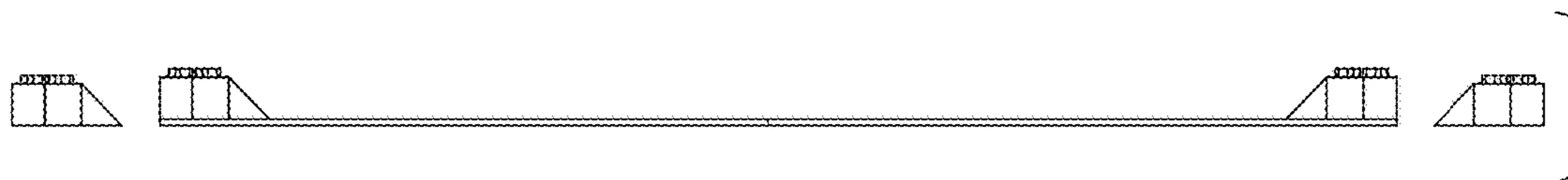


FIG. 16

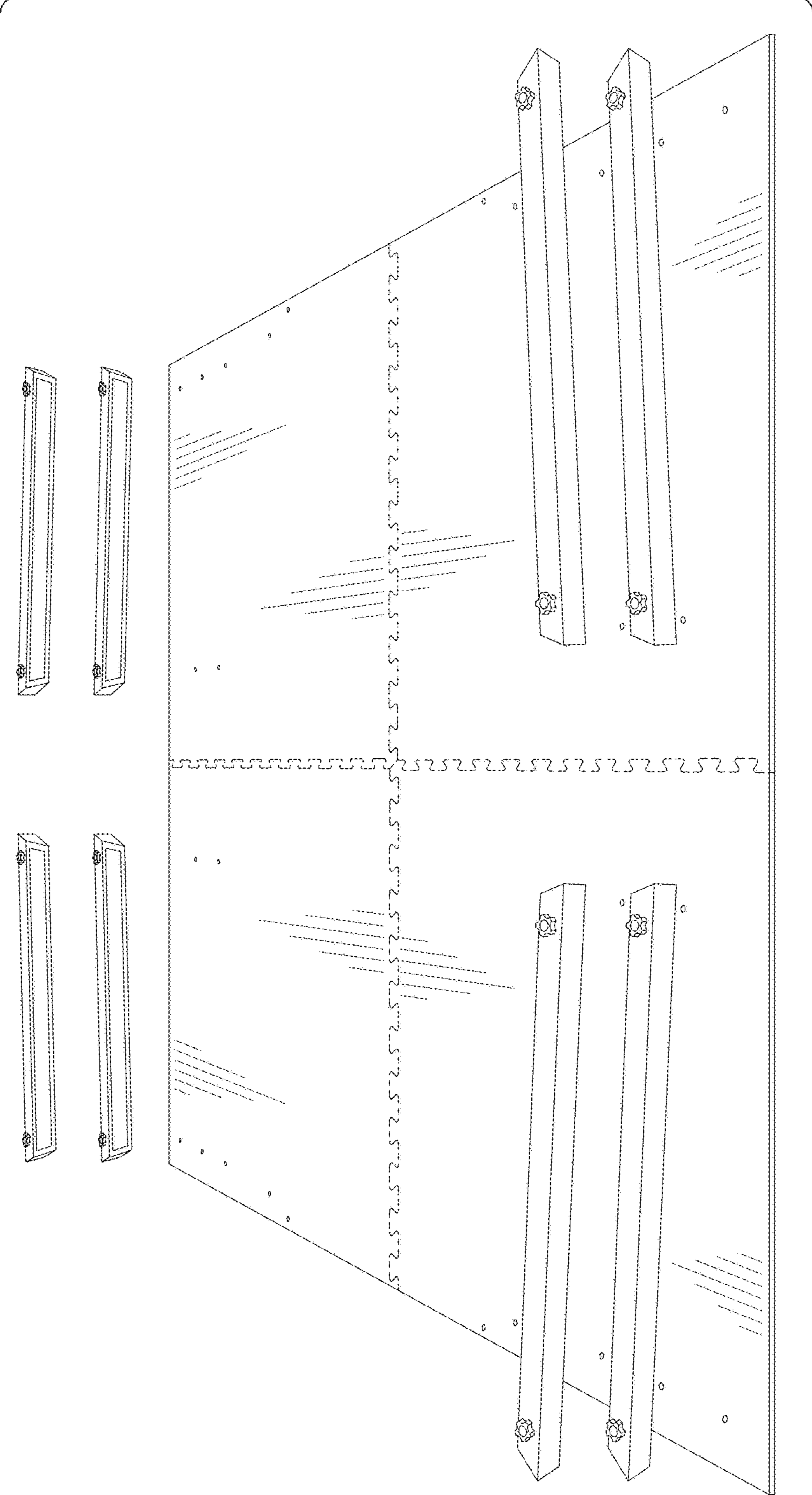


FIG. 17

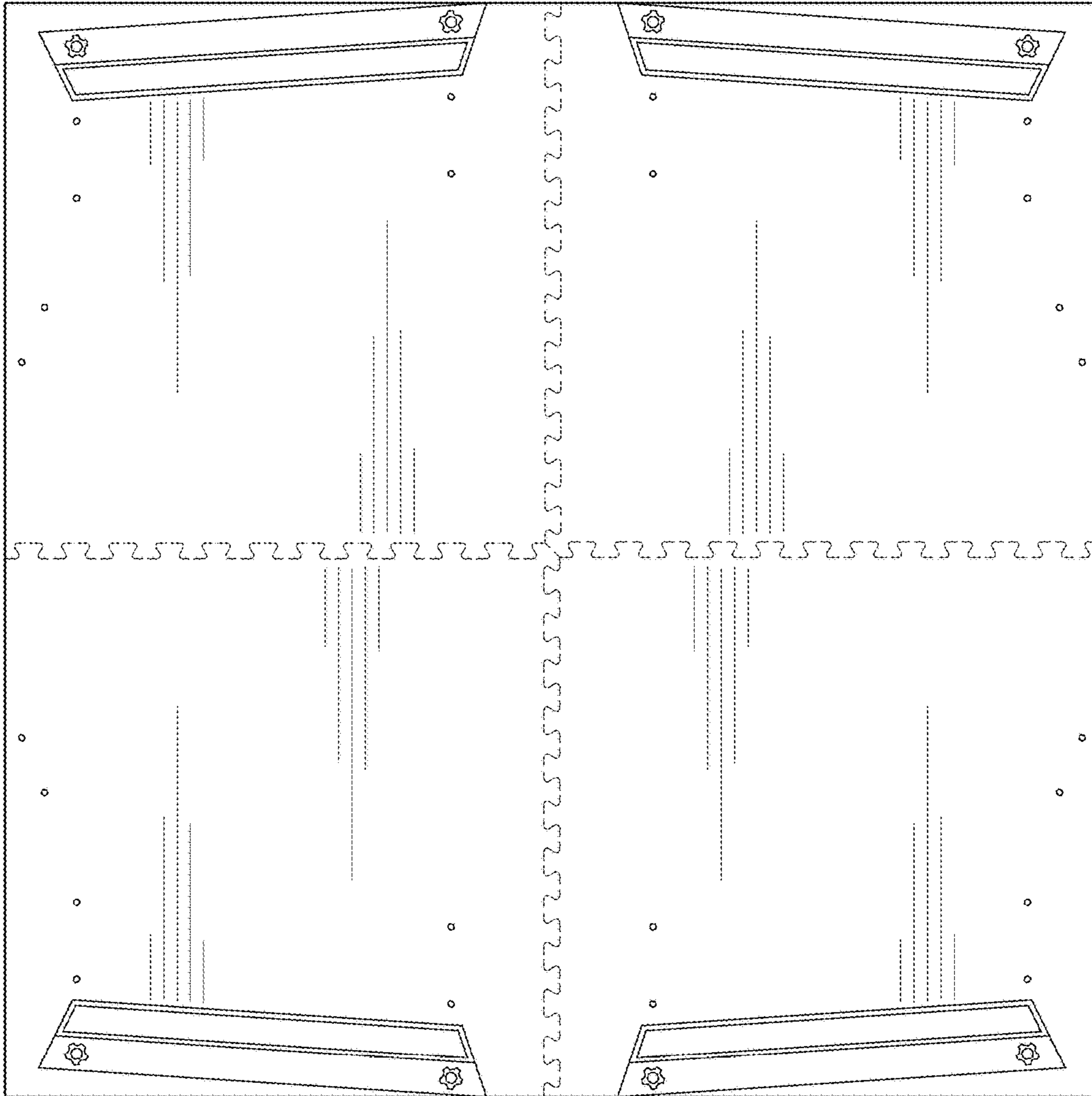


FIG. 18

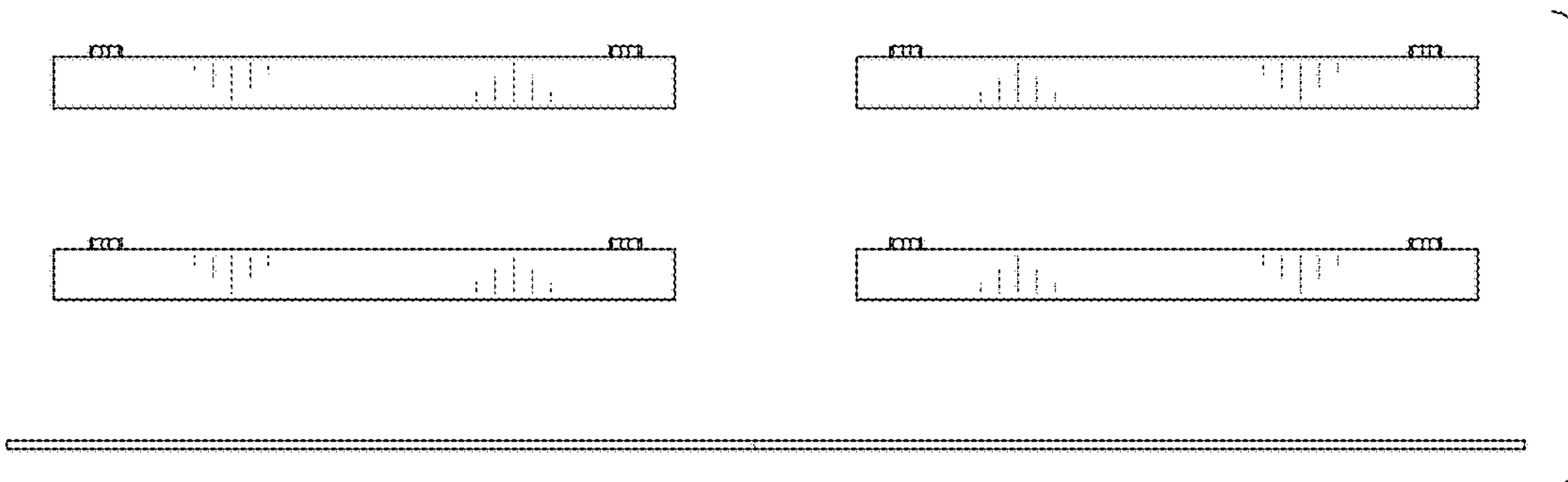


FIG. 19

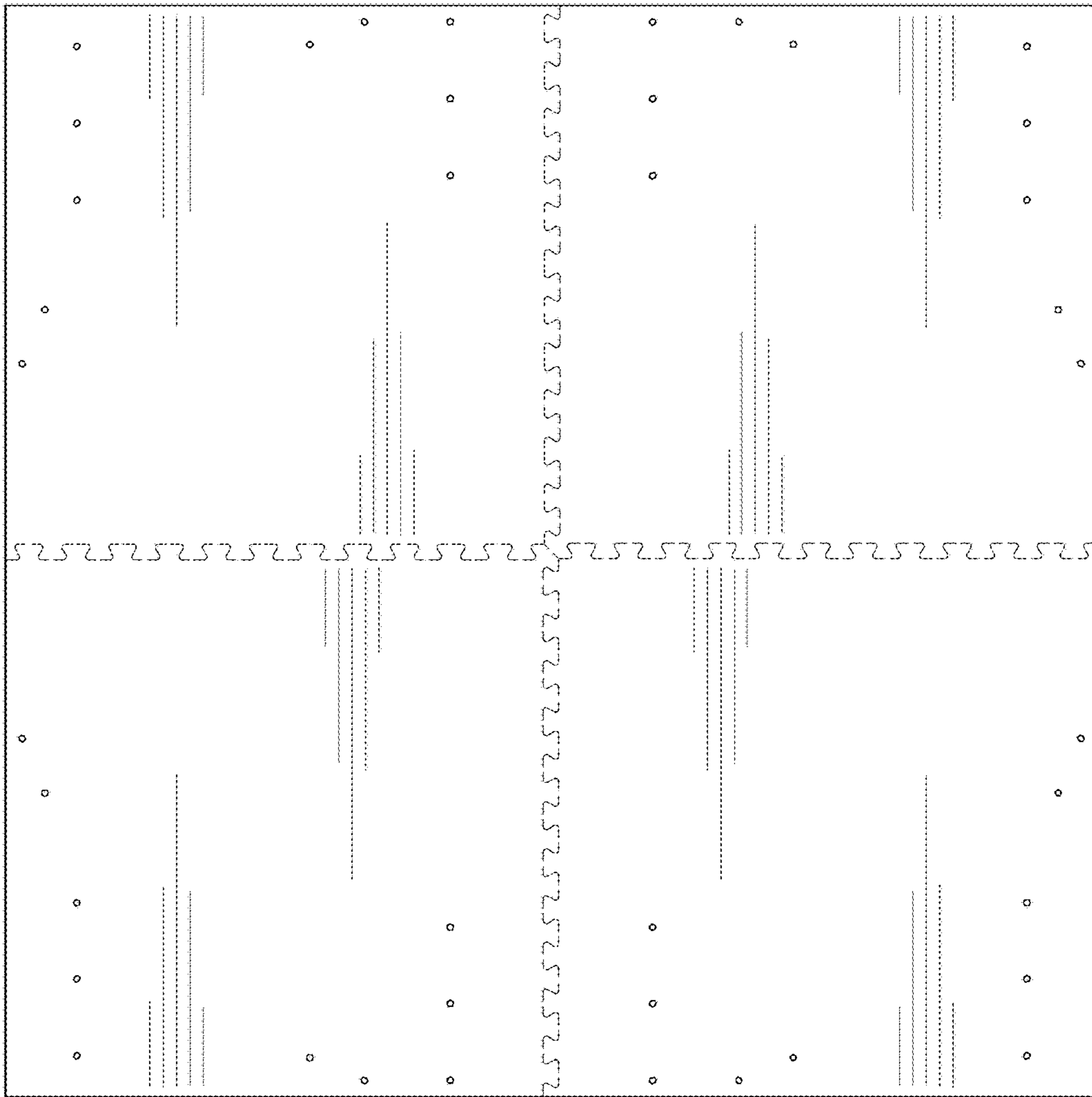


FIG. 20

