



US00D842941S

(12) **United States Design Patent** (10) **Patent No.:** **US D842,941 S**
Brezovar (45) **Date of Patent:** **** Mar. 12, 2019**

(54) **EXERCISE WEIGHT PLATE**
(71) Applicant: **Brunswick Corporation**, Mettawa, IL (US)
(72) Inventor: **Wayne T. Brezovar**, Chicago, IL (US)
(73) Assignee: **Brunswick Corporation**, Mettawa, IL (US)

7,300,389 B2 11/2007 Lien et al.
D562,415 S * 2/2008 Xu D21/680
D562,919 S 2/2008 Hillson
7,704,196 B2 4/2010 Lien et al.
D628,251 S 11/2010 Krull et al.
D639,874 S * 6/2011 Hillson D21/680

(Continued)

(**) Term: **15 Years**
(21) Appl. No.: **29/629,961**

FOREIGN PATENT DOCUMENTS

CN 102814023 12/2012
GB 2492079 12/2012

(Continued)

(22) Filed: **Dec. 18, 2017**
(51) **LOC (11) Cl.** **21-02**
(52) **U.S. Cl.**
USPC **D21/680**
(58) **Field of Classification Search**
USPC 52/311.2, 390, 596, 604, 609; 404/34,
404/35, 36, 37, 38, 39, 40, 41, 42;
482/93, 106, 108; D12/175, 202, 204,
D12/207, 604; D21/662, 680, 681, 682,
D21/684; D25/113, 114, 115, 116, 117,
D25/118, 138, 151
CPC A63B 21/072; A63B 21/0608; A63B
21/0728; A63B 21/075; A63B 21/06
See application file for complete search history.

OTHER PUBLICATIONS

Lifefitness, "Hammer Strength Urethane Round Olympic Plates",
Jun. 16, 2018. <https://shop.lifefitness.com/hammer-strength-urethane-round-olympic-plates>. Shown on p. 1. (Year: 2018).*

Primary Examiner — Cynthia Ramirez
Assistant Examiner — Michael A Maharajh
(74) *Attorney, Agent, or Firm* — Andrus Intellectual
Property Law, LLP

(57) **CLAIM**

The ornamental design for an exercise weight plate, as shown and described.

DESCRIPTION

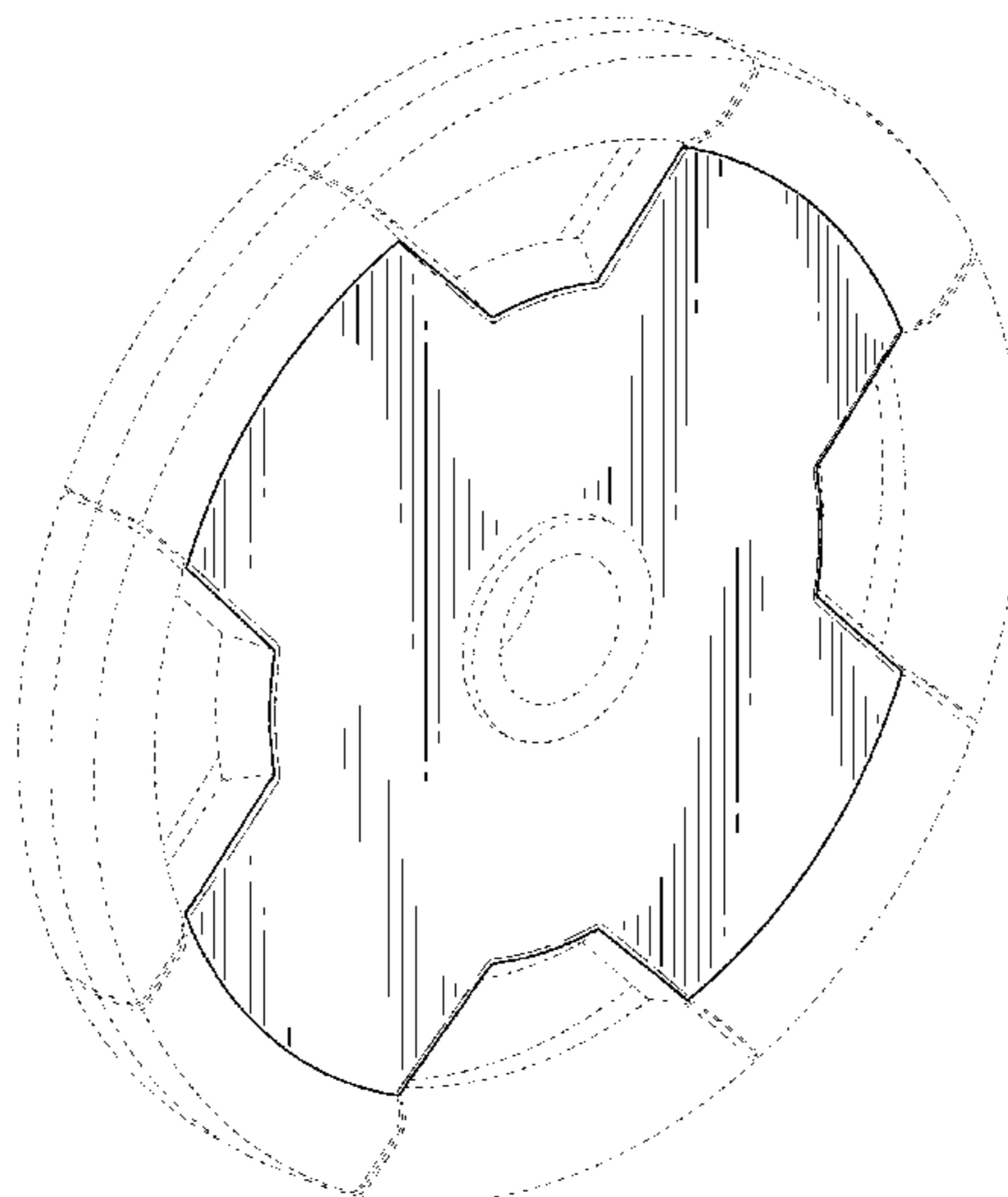
FIG. 1 is a front perspective view of an exercise weight plate, showing my new design.
FIG. 2 is a front view thereof.
FIG. 3 is a rear view thereof.
FIGS. 4 and 5 are opposing side views thereof.
FIG. 6 is a top view thereof; and,
FIG. 7 is a bottom view thereof.
The broken lines represent portions of the exercise weight plate that are shown for illustrative purposes only and form no part of the claimed design.

(56) **References Cited**

U.S. PATENT DOCUMENTS

6,319,176 B1 11/2001 Landfair
D474,517 S 5/2003 Harms
D476,383 S * 6/2003 Chen D21/680
D483,083 S 12/2003 Allshouse et al.
6,702,723 B2 3/2004 Landfair
6,746,380 B2 6/2004 Lien et al.
D502,514 S * 3/2005 Buchanan D21/680
6,991,590 B2 * 1/2006 Vigiano A63B 21/06
482/106
D521,914 S * 5/2006 Pfeiffer D12/176
D546,908 S 7/2007 Lien

1 Claim, 5 Drawing Sheets



(56)

References Cited

U.S. PATENT DOCUMENTS

D643,075	S	*	8/2011	Childs	D21/680
D673,230	S		12/2012	Qin	
D684,224	S	*	6/2013	Davies, III	D21/680
D722,348	S	*	2/2015	Kessler	D21/680
D749,177	S	*	2/2016	Childs	D21/682
D751,157	S		3/2016	Irwin	
D798,968	S	*	10/2017	Lien	D21/680
2010/0210427	A1		8/2010	Yu	
2010/0255960	A1		10/2010	Kessler	
2011/0306475	A1		12/2011	Caswell et al.	
2013/0012367	A1		1/2013	Williams	
2013/0157814	A1		6/2013	Nowicki	
2015/0038303	A1		2/2015	Adkins	

FOREIGN PATENT DOCUMENTS

GB	2525012	10/2015
WO	2013/181757	12/2013
WO	2014/008568	1/2014
WO	2017/024611	2/2017

* cited by examiner

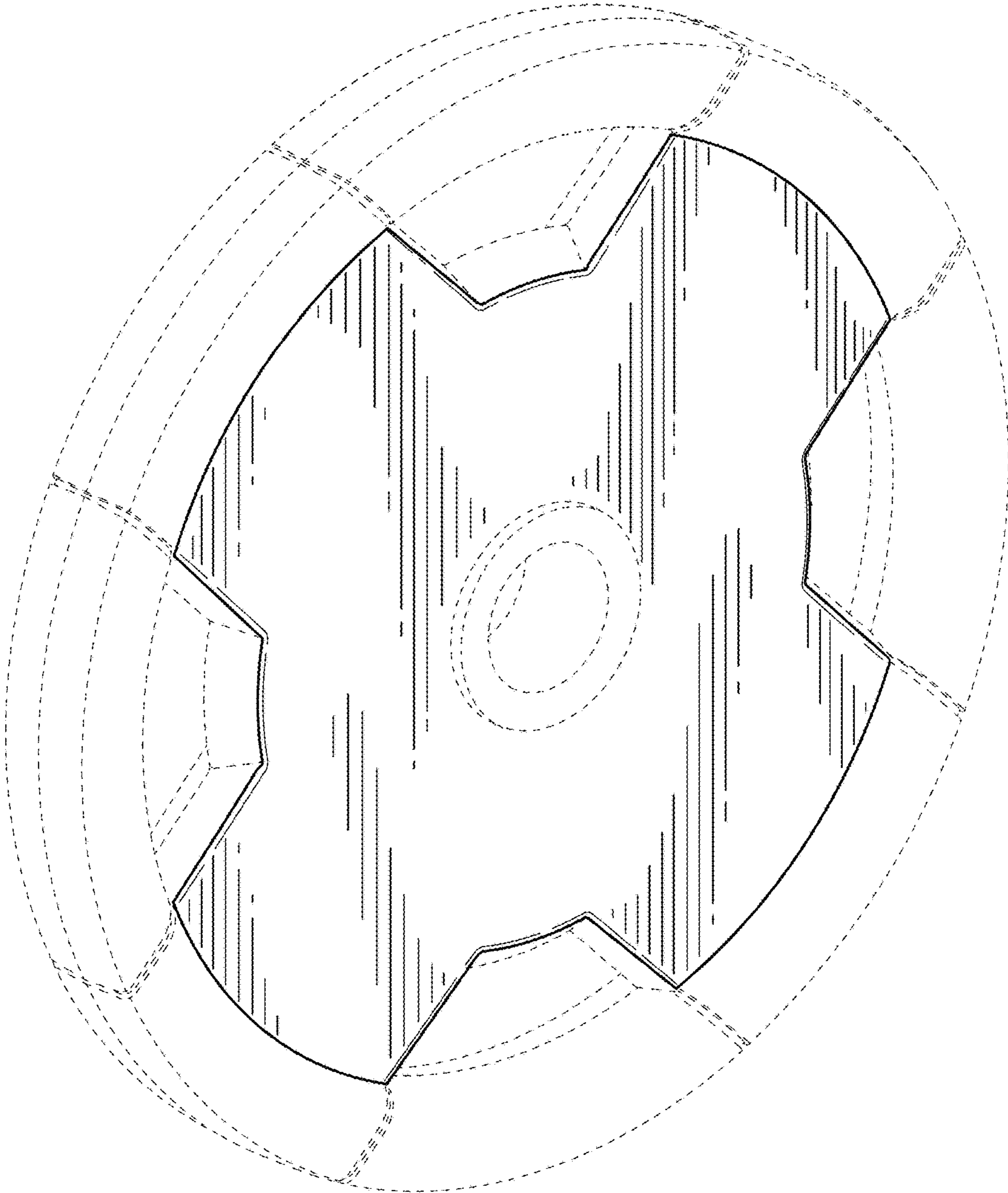


FIG. 1

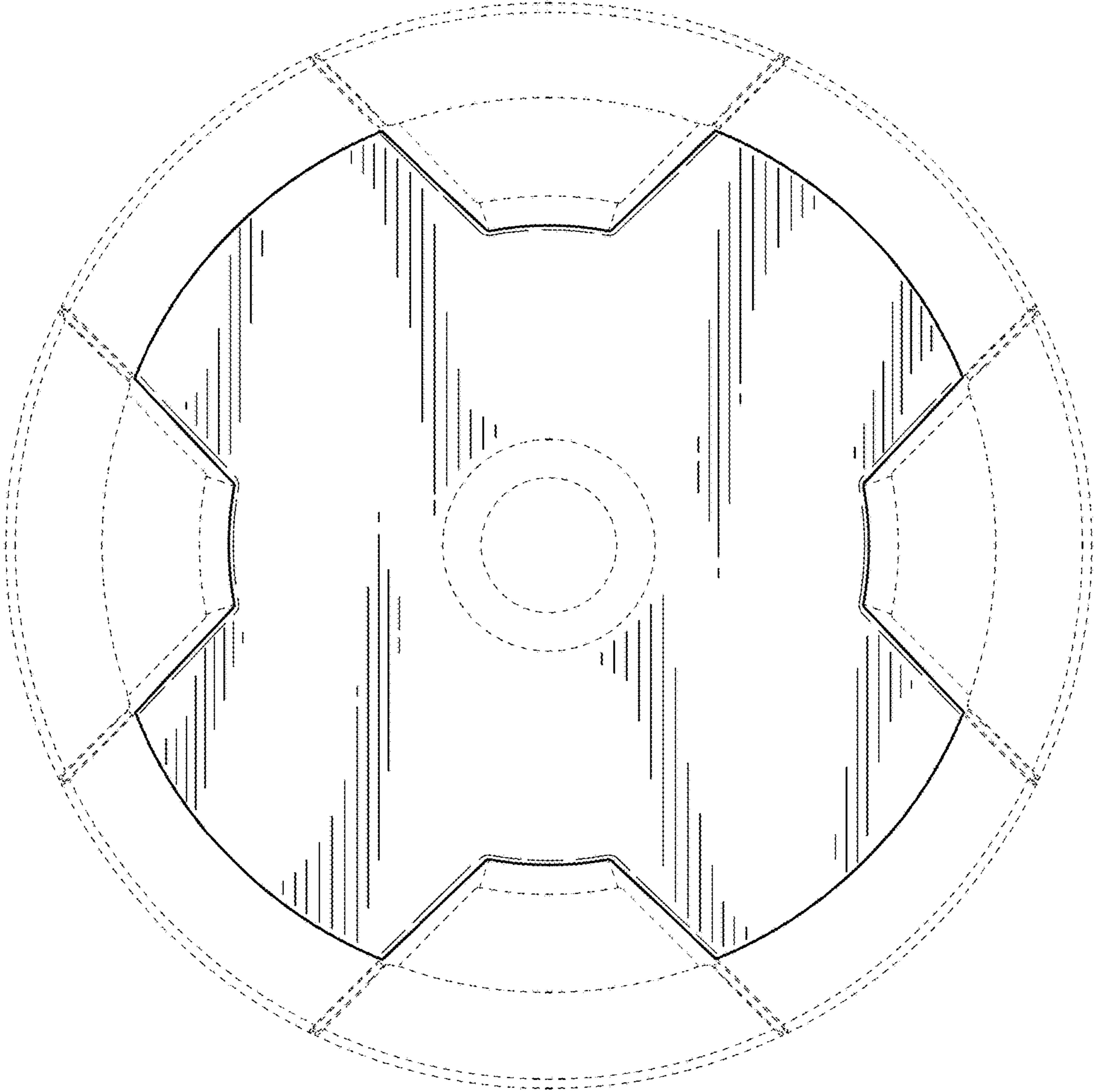


FIG. 2

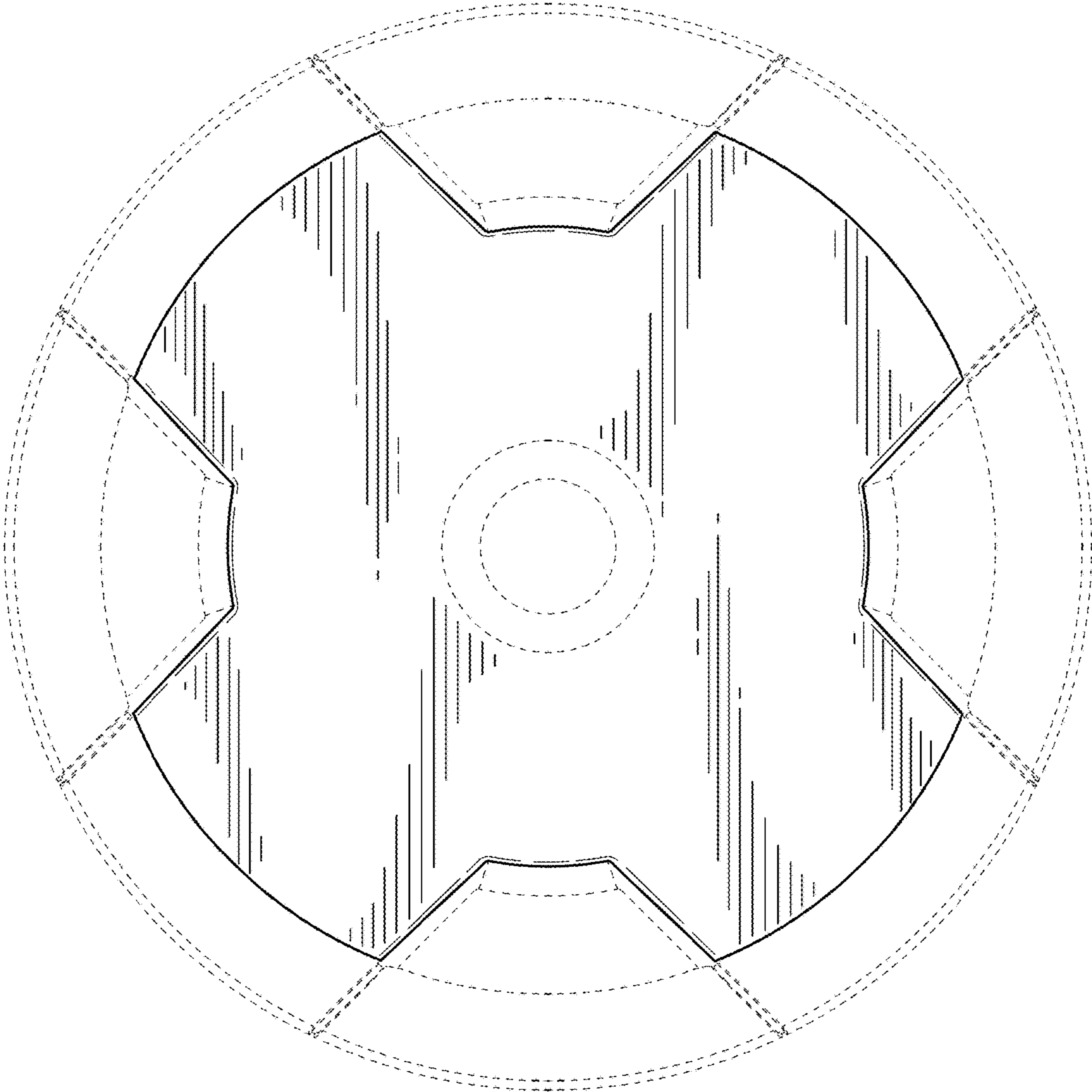


FIG. 3

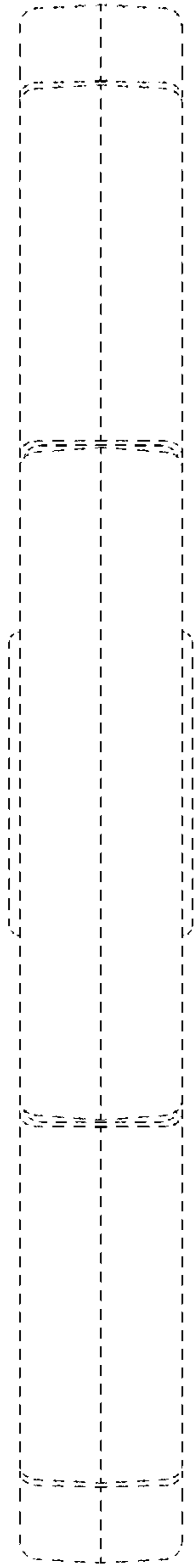


FIG. 4

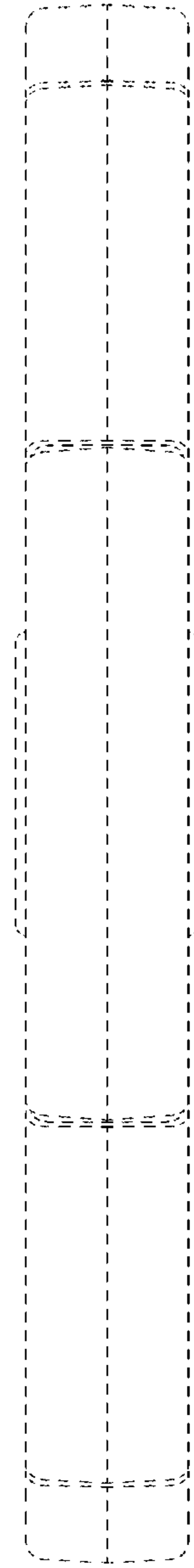


FIG. 5

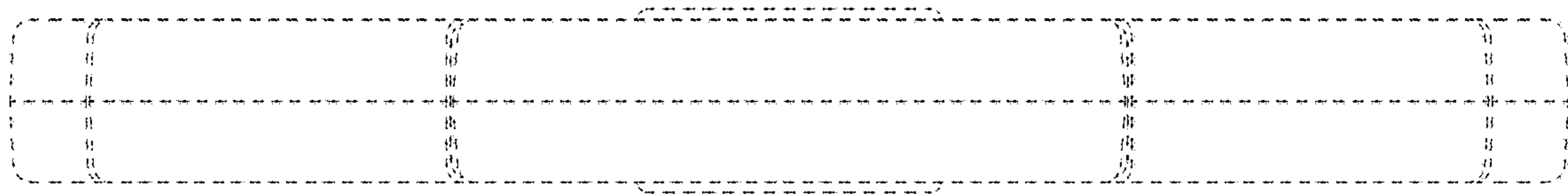


FIG. 6

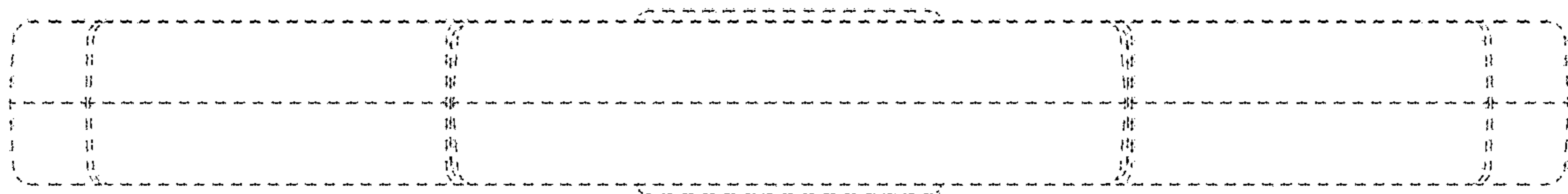


FIG. 7