



US00D842940S

(12) **United States Design Patent** (10) **Patent No.:** **US D842,940 S**  
**Harden et al.** (45) **Date of Patent:** **\*\* Mar. 12, 2019**

(54) **EXERCISE STICK**  
(71) Applicant: **DISRUPTIVE FORCE LLC**,  
Campbell, CA (US)  
(72) Inventors: **Dan Harden**, Palo Alto, CA (US); **Cole Derby**, East Palo Alto, CA (US); **Justin Andrews**, Mount Hermon, CA (US); **Nicholas P. Sands**, Sausalito, CA (US)  
(73) Assignee: **Disruptive Force LLC**, Campbell, CA (US)  
(\*\*) Term: **15 Years**  
(21) Appl. No.: **29/591,779**  
(22) Filed: **Jan. 24, 2017**  
(51) **LOC (11) Cl.** ..... **21-02**  
(52) **U.S. Cl.**  
USPC ..... **D21/679**  
(58) **Field of Classification Search**  
USPC ..... D21/679, 681, 684, 662, 791, 692, 725, D21/400, 707, 712, 803; 482/110, 121, 482/148, 908, 92, 106, 50, 93, 122, 126, 482/128, 109, 132, 142, 107, 111, 95, 482/141; 446/486  
CPC ..... A63B 21/0724; A63B 21/4035; A63B 21/0728; A63B 23/12; A63B 21/0004; A63B 21/072  
See application file for complete search history.

(56) **References Cited**  
U.S. PATENT DOCUMENTS  
3,887,185 A \* 6/1975 Landreville ..... A63F 7/382 273/109  
D263,327 S \* 3/1982 Cooper ..... D21/679  
D267,261 S \* 12/1982 Pataluch ..... D21/679  
4,440,391 A \* 4/1984 Saenz, Jr. .... A63B 21/0004 403/296  
D278,548 S \* 4/1985 Backstrom ..... D21/679  
4,518,162 A \* 5/1985 Oates ..... A63B 21/072 403/349

D281,446 S \* 11/1985 Keilman ..... D21/679  
D287,867 S \* 1/1987 Wollersheim ..... D21/681  
D289,538 S \* 4/1987 Wilson ..... D21/679  
4,664,373 A \* 5/1987 Hait ..... A63B 21/0603 482/109  
4,863,159 A \* 9/1989 Brown, Jr. .... A63B 21/0004 482/126  
D304,057 S \* 10/1989 Cooper ..... D21/679  
(Continued)

**OTHER PUBLICATIONS**

Axon by Axonfit dated no date given. Found online [Mar. 27, 2018] <https://www.axonfit.com/>.\*

*Primary Examiner* — Ryan Harvey  
(74) *Attorney, Agent, or Firm* — Krista S. Jacobsen; Jacobsen IP Law

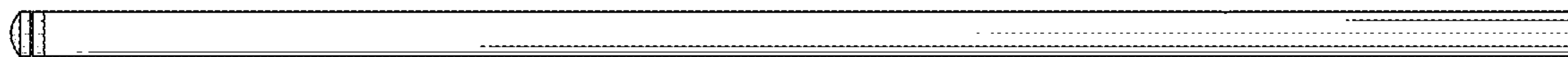
(57) **CLAIM**

The ornamental design for an exercise stick, as shown and described.

**DESCRIPTION**

FIG. 1 is a front view of the exercise stick showing our new design;  
FIG. 2 is a back view thereof;  
FIG. 3 is a top view thereof;  
FIG. 4 is a bottom view thereof;  
FIG. 5 is a left view thereof;  
FIG. 6 is a right view thereof;  
FIG. 7 is an isometric view of the exercise stick with the right side visible;  
FIG. 8 is an isometric view of the exercise stick with the left side visible; and,  
FIG. 9 is a magnified isometric view of the right side of the exercise stick.  
Diagonal line hatching is used in FIGS. 3, 7, and 8 to indicate a transparent, translucent, or semi-translucent area of the exercise stick.

**1 Claim, 4 Drawing Sheets**



(56)

References Cited

U.S. PATENT DOCUMENTS

4,986,535 A \* 1/1991 Hull ..... A63B 21/0602  
482/112  
5,004,226 A \* 4/1991 Brown, Jr. .... A63B 21/00043  
482/126  
D325,945 S \* 5/1992 Gross ..... D21/679  
5,364,325 A \* 11/1994 Matthews ..... A63B 21/0624  
482/109  
D365,861 S \* 1/1996 Moss, Jr. .... D21/679  
D369,627 S \* 5/1996 Thor ..... D10/119.2  
5,514,055 A \* 5/1996 Elliott ..... A63B 21/045  
482/121  
D385,604 S \* 10/1997 Moore ..... D21/679  
D388,848 S \* 1/1998 Sontz ..... D21/679  
5,820,531 A \* 10/1998 Choi ..... A63B 21/0603  
482/93  
D407,770 S \* 4/1999 Thomas ..... D21/679  
5,891,003 A \* 4/1999 Deac ..... A63B 5/16  
482/106  
6,280,364 B1 \* 8/2001 Deac ..... A63B 5/16  
482/106  
6,293,893 B1 \* 9/2001 Truchelut ..... A63B 21/002  
482/121

D485,869 S \* 1/2004 Miletich ..... D21/398  
6,872,174 B2 \* 3/2005 Benach ..... A63B 21/00043  
482/121  
D537,892 S \* 3/2007 Moses ..... D21/662  
D561,274 S \* 2/2008 Turner ..... D21/679  
D633,155 S \* 2/2011 Brun ..... D21/679  
8,038,585 B1 \* 10/2011 Brown, Jr. .... A63B 21/0004  
482/108  
8,118,693 B2 \* 2/2012 Tande ..... A63B 15/005  
473/457  
D655,356 S \* 3/2012 Sandman ..... D21/679  
D694,348 S \* 11/2013 Rankin ..... D21/679  
D710,681 S \* 8/2014 Ohira ..... D8/382  
D733,226 S \* 6/2015 Abbate ..... D21/679  
9,044,373 B2 \* 6/2015 Welch ..... A63B 21/0724  
D736,863 S \* 8/2015 Seeger ..... D21/662  
D784,467 S \* 4/2017 Hess ..... D21/725  
9,737,747 B1 \* 8/2017 Walsh ..... A63B 21/026  
9,757,634 B1 \* 9/2017 Fierro ..... A63B 69/00  
D805,594 S \* 12/2017 Hocknull ..... D21/791  
2011/0034275 A1 \* 2/2011 Kim ..... A63B 15/005  
473/457  
2014/0336019 A1 \* 11/2014 Vilella ..... A63B 21/072  
482/106

\* cited by examiner



FIG. 1

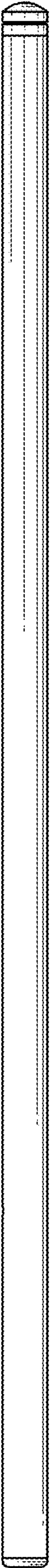


FIG. 2



FIG. 3



FIG. 4



FIG. 6



FIG. 5

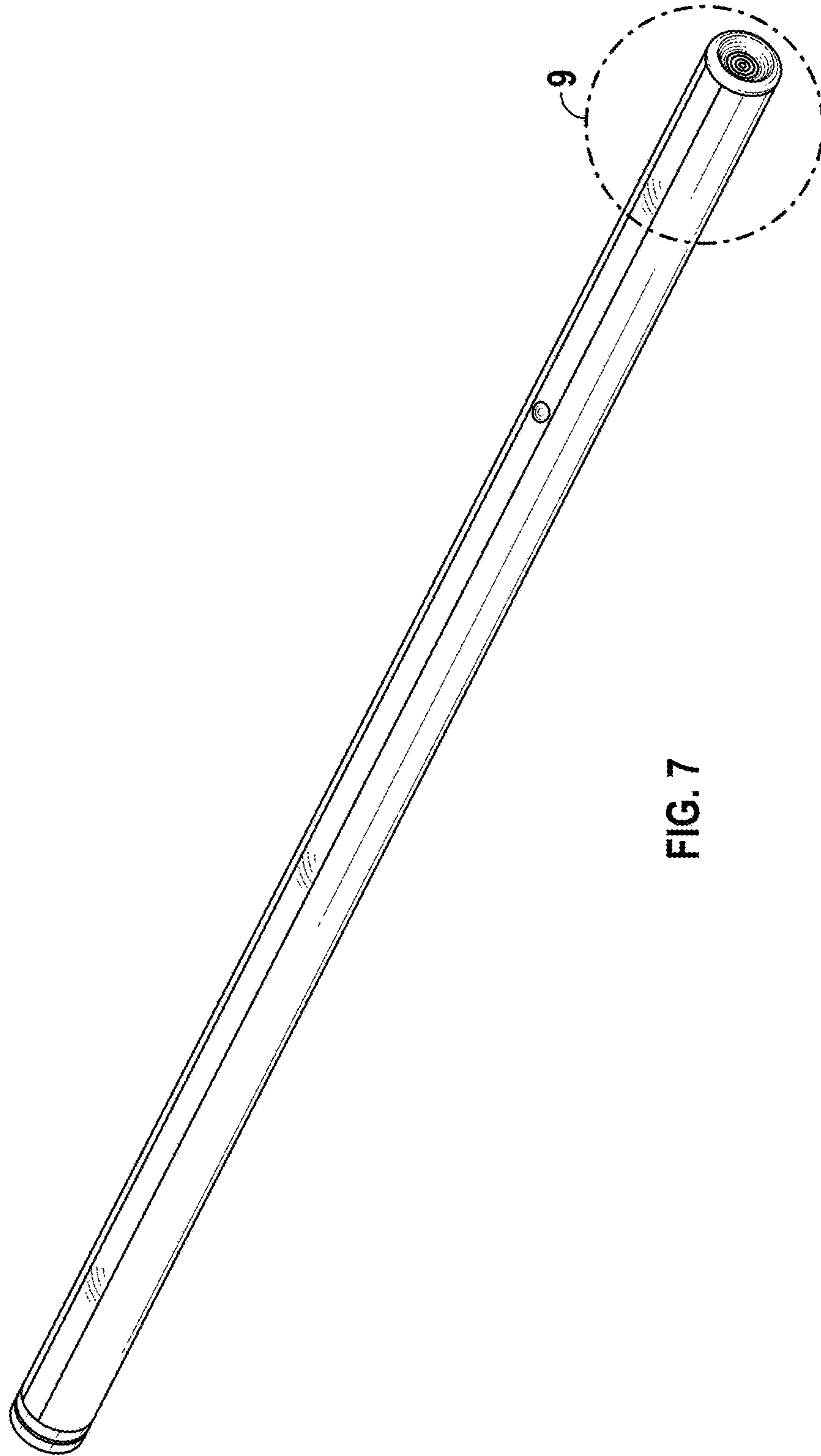


FIG. 7



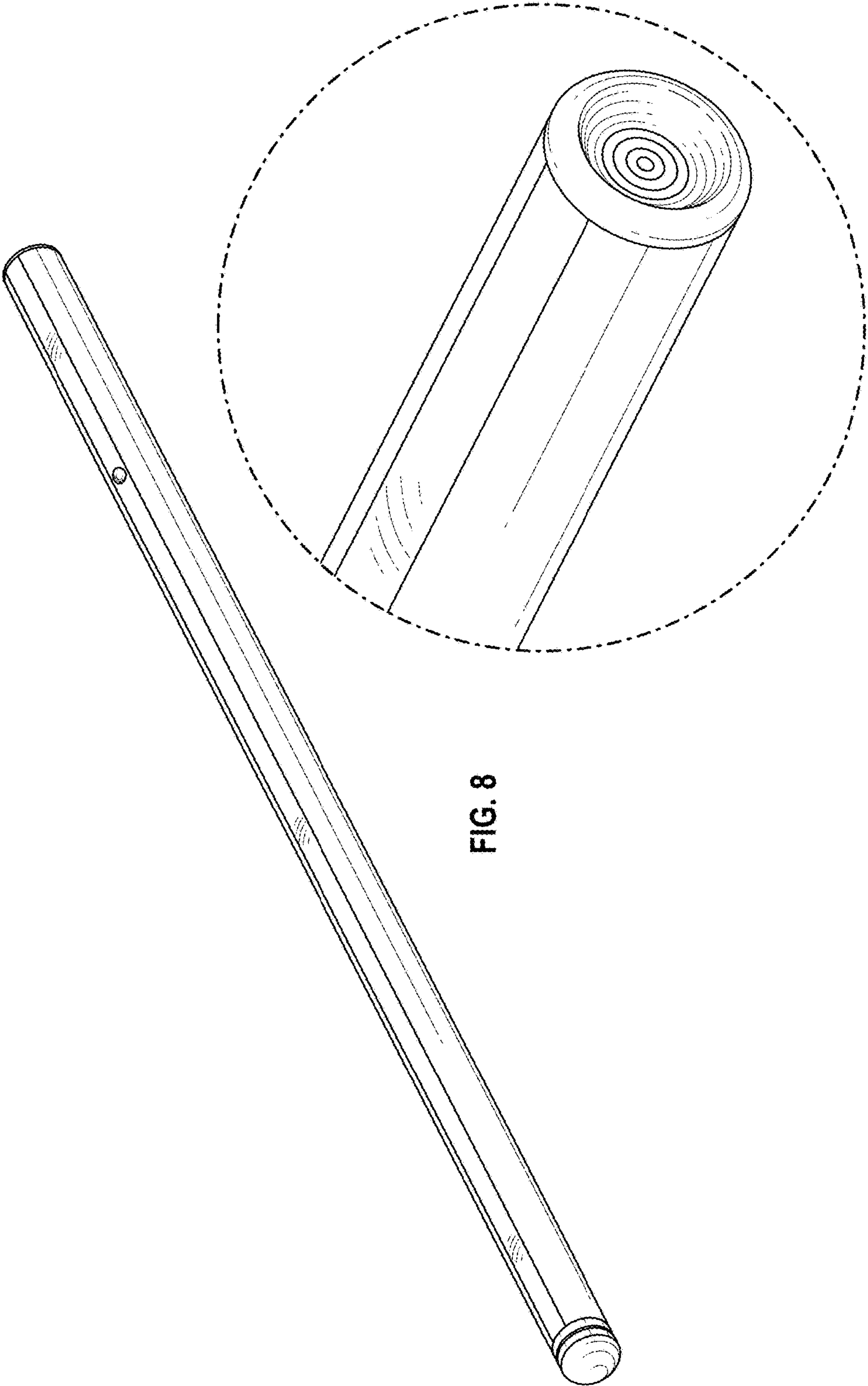


FIG. 8

FIG. 9