



US00D842939S

(12) **United States Design Patent** (10) **Patent No.:** **US D842,939 S**  
**Mercenari Uribe** (45) **Date of Patent:** **\*\* Mar. 12, 2019**

(54) **EXERCISE CLIMBING MACHINE**

*Primary Examiner* — Ryan Harvey

(71) Applicant: **Fernando Humberto Mercenari Uribe**, Mexico City (MX)

(74) *Attorney, Agent, or Firm* — The Webb Law Firm

(72) Inventor: **Fernando Humberto Mercenari Uribe**, Mexico City (MX)

(57) **CLAIM**

The ornamental design for an exercise climbing machine, as shown and described.

(\*\*) Term: **15 Years**

(21) Appl. No.: **29/608,013**

(22) Filed: **Jun. 19, 2017**

(30) **Foreign Application Priority Data**

Dec. 20, 2016	(MX)	.....	MX/f/2016/004296
Feb. 20, 2017	(MX)	.....	MX/f/2017/000530

(51) **LOC (11) Cl.** ..... **21-02**

(52) **U.S. Cl.**  
USPC ..... **D21/670**

(58) **Field of Classification Search**

USPC	.....	482/70, 51, 53, 54, 140, 142, 123, 121, 482/122, 129, 130, 96, 52, 57, 907, 126, 482/131, 145, 144, 112, 134, 26, 27, 77, 482/125, 132, 92, 95, 91, 128, 68, 141; D21/687, 686, 669, 673, 690, 691, 694, D21/676, 674, 670, 663, 662, 423, 695, D21/688; 601/24, 49, 40, 29, 27, 5, 34
CPC	.....	A63B 2208/0204; A63B 21/4047; A63B 21/0552; A63B 21/00069; A63B 22/0056; A63B 22/203; A63B 22/205

See application file for complete search history.

(56) **References Cited**

**U.S. PATENT DOCUMENTS**

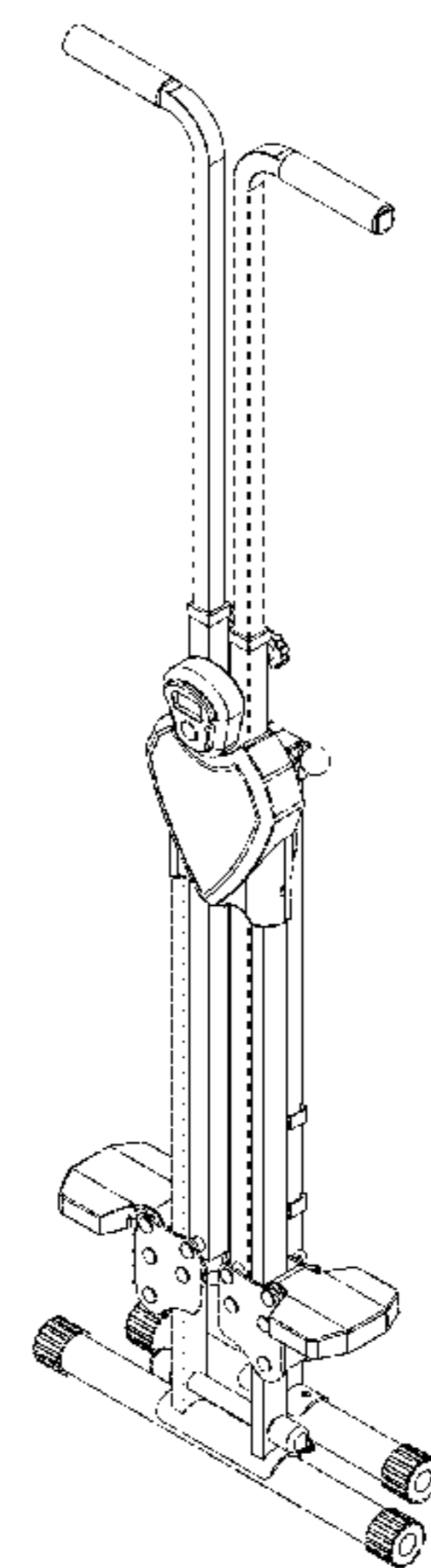
D263,490	S *	3/1982	Hickman	.....	D21/670
4,496,147	A *	1/1985	DeCloux	.....	A63B 21/0083 482/113
4,540,172	A *	9/1985	Evans	.....	A63B 21/018 482/120

(Continued)

**DESCRIPTION**

FIG. 1 is a front perspective view of an exercise climbing machine showing my new design in a folded configuration; FIG. 2 is a front elevation view thereof in a folded configuration; FIG. 3 is a rear elevation view thereof in a folded configuration; FIG. 4 is a right side elevation view thereof in a folded configuration; FIG. 5 is a left side elevation view thereof in a folded configuration; FIG. 6 is a top view thereof in a folded configuration; FIG. 7 is a bottom view thereof in a folded configuration; FIG. 8 is a rear perspective view thereof in a folded configuration; FIG. 9 is a front perspective view thereof in an unfolded configuration; FIG. 10 is a front elevation view thereof in an unfolded configuration; FIG. 11 is a rear elevation view thereof in an unfolded configuration; FIG. 12 is a right side elevation view thereof in an unfolded configuration; FIG. 13 is a left side elevation view thereof in an unfolded configuration; FIG. 14 is a top view thereof in an unfolded configuration; FIG. 15 is a bottom view thereof in an unfolded configuration; and, FIG. 16 is a rear perspective view thereof in an unfolded configuration.

**1 Claim, 16 Drawing Sheets**



(56)

References Cited

U.S. PATENT DOCUMENTS

4,685,666 A \* 8/1987 DeCloux ..... A63B 21/0083  
482/113  
4,958,830 A \* 9/1990 Huggins ..... A61H 1/0259  
482/51  
5,000,441 A \* 3/1991 Wang ..... A63B 22/0002  
482/112  
D315,937 S \* 4/1991 Huggins ..... D21/670  
5,007,631 A \* 4/1991 Wang ..... A63B 22/001  
482/119  
5,040,785 A \* 8/1991 Charnitski ..... A63B 22/001  
482/51  
D326,695 S \* 6/1992 Evans ..... D21/670  
D329,478 S \* 9/1992 Wang ..... D21/670  
5,180,351 A \* 1/1993 Ehrenfried ..... A63B 21/154  
482/51  
5,199,932 A \* 4/1993 Liao ..... A63B 22/001  
482/113  
5,222,927 A \* 6/1993 Chang ..... A63B 21/0552  
482/126  
5,370,592 A \* 12/1994 Wu ..... A63B 21/0083  
482/112

D355,228 S \* 2/1995 Hung ..... D21/670  
5,492,515 A \* 2/1996 Charnitski ..... A63B 22/001  
482/37  
D369,390 S \* 4/1996 Haber ..... D21/670  
5,803,880 A \* 9/1998 Allen ..... A63B 21/0087  
482/113  
7,662,076 B1 \* 2/2010 Ho ..... A63B 21/068  
482/130  
8,137,250 B1 \* 3/2012 Caban ..... A63B 21/018  
482/131  
D702,299 S \* 4/2014 Ho ..... D21/686  
D705,367 S \* 5/2014 Ho ..... D21/687  
D709,969 S \* 7/2014 Ho ..... D21/668  
D729,887 S \* 5/2015 Zeng ..... D21/686  
D745,615 S \* 12/2015 Ho ..... D21/686  
9,205,297 B2 \* 12/2015 Kaehler ..... A63B 21/02  
D759,169 S 6/2016 Humberto Mercenari Uribe  
9,358,421 B2 6/2016 Mercenari Uribe  
9,707,434 B2 \* 7/2017 Kaehler ..... A63B 21/15  
2013/0045838 A1 \* 2/2013 Ho ..... A63B 22/0058  
482/52  
2015/0343259 A1 \* 12/2015 Mercenari Uribe .....  
A63B 22/0066  
482/52

\* cited by examiner

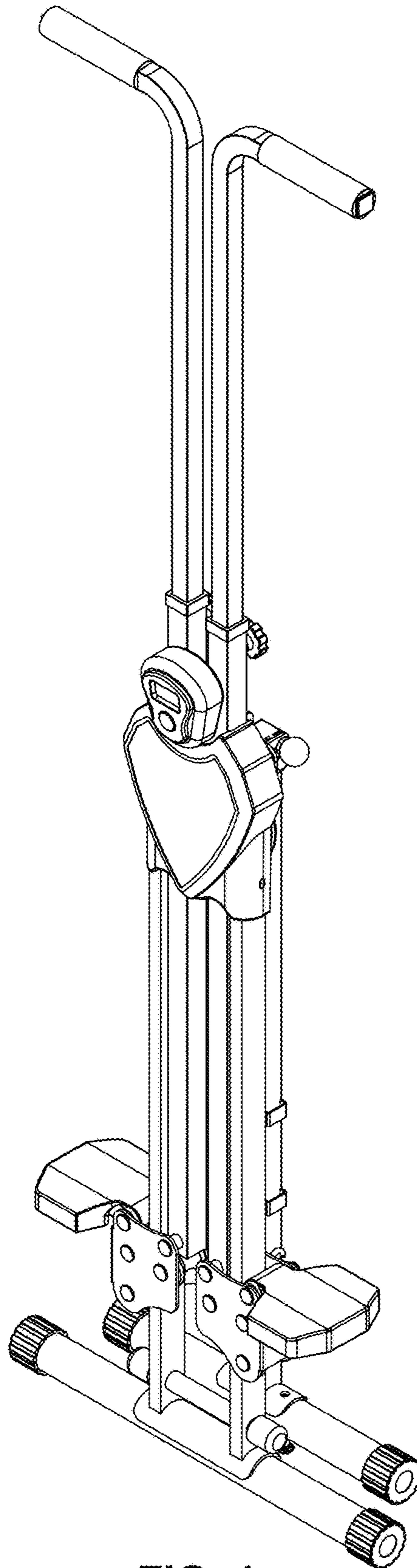


FIG. 1

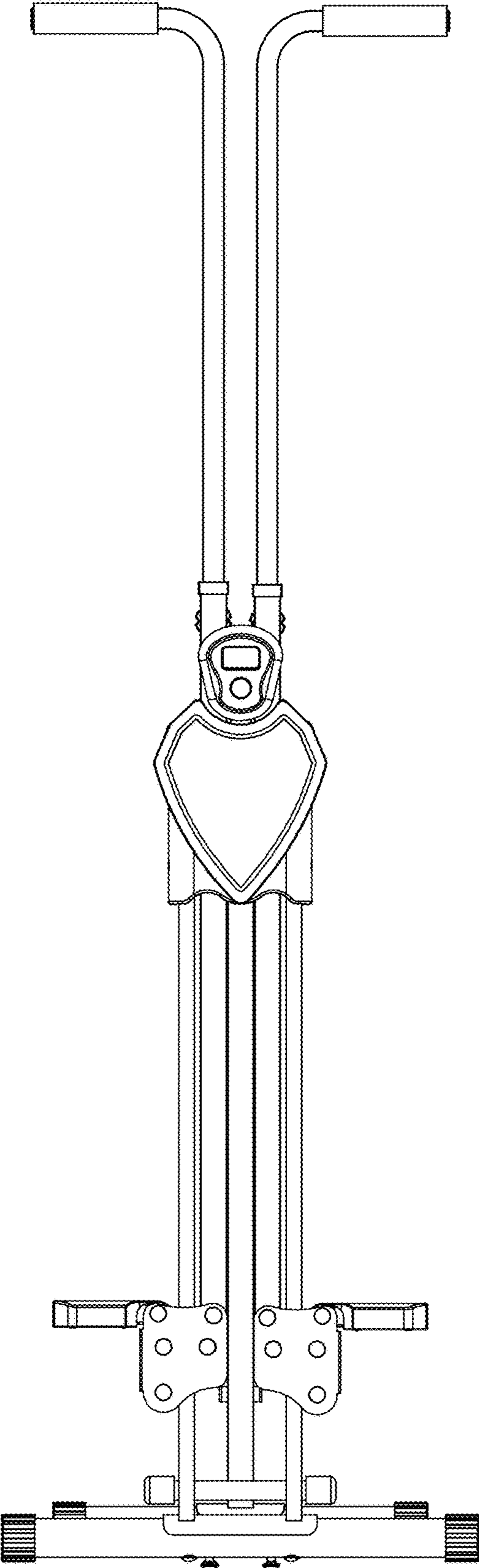


FIG. 2

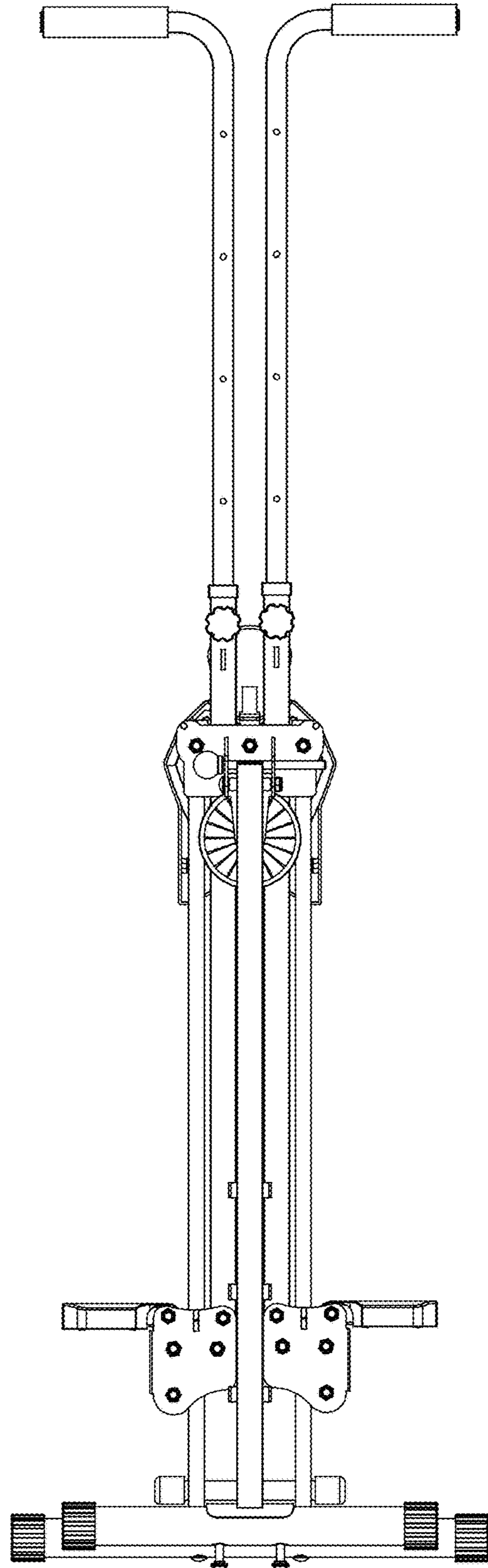


FIG. 3

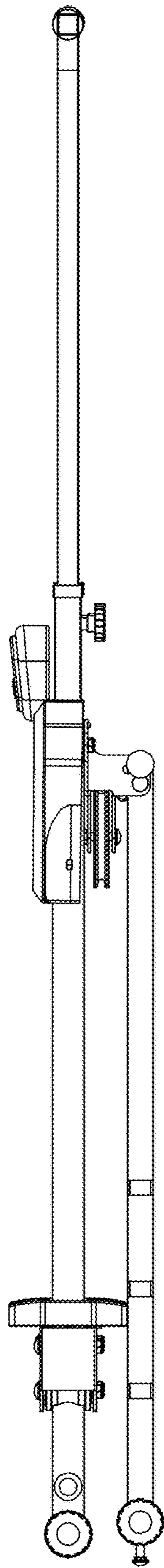


FIG. 4

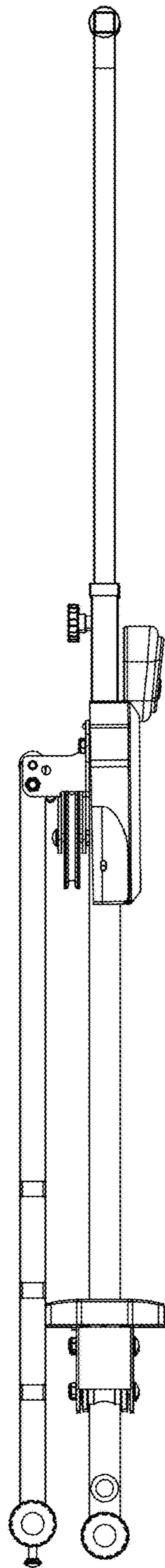


FIG. 5

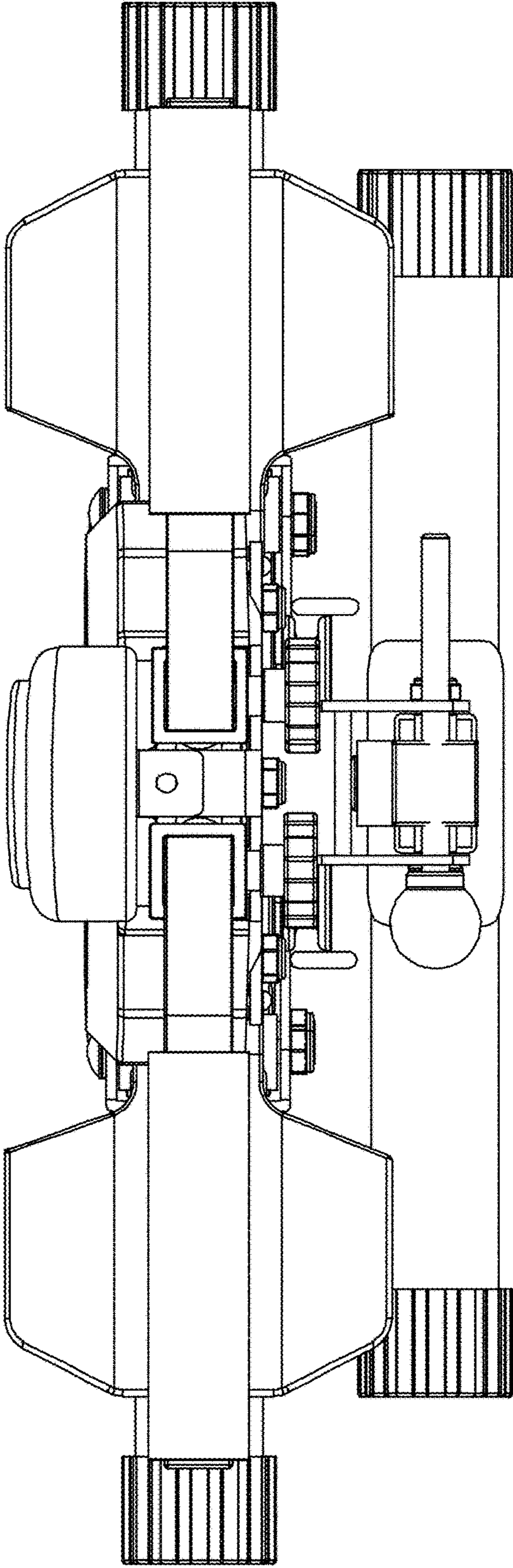


FIG. 6



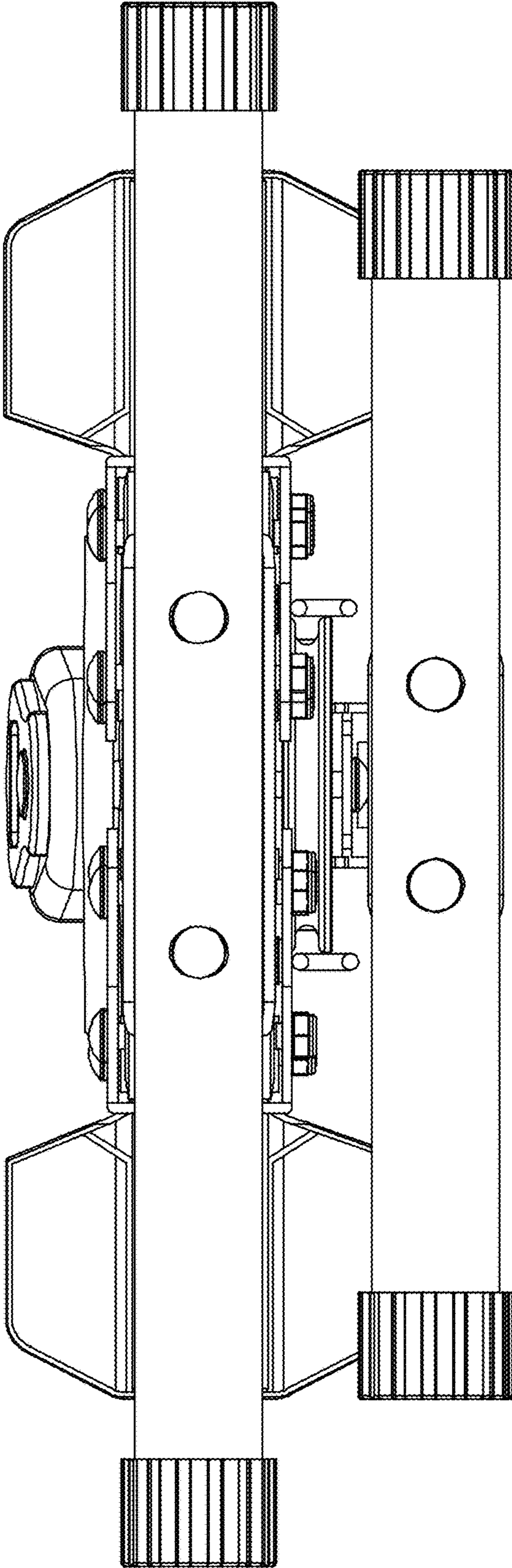


FIG. 7

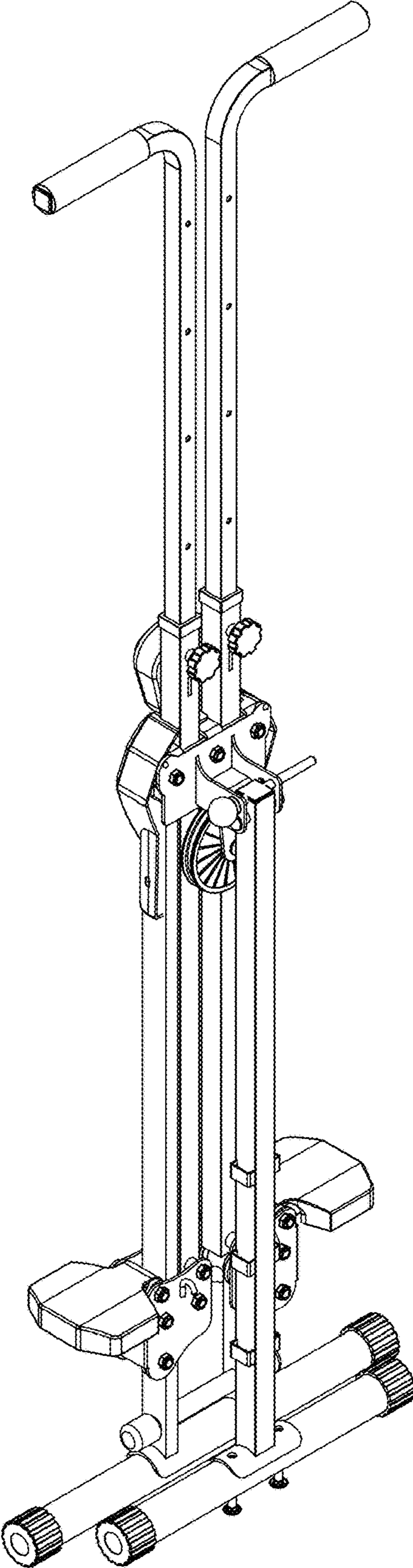


FIG. 8

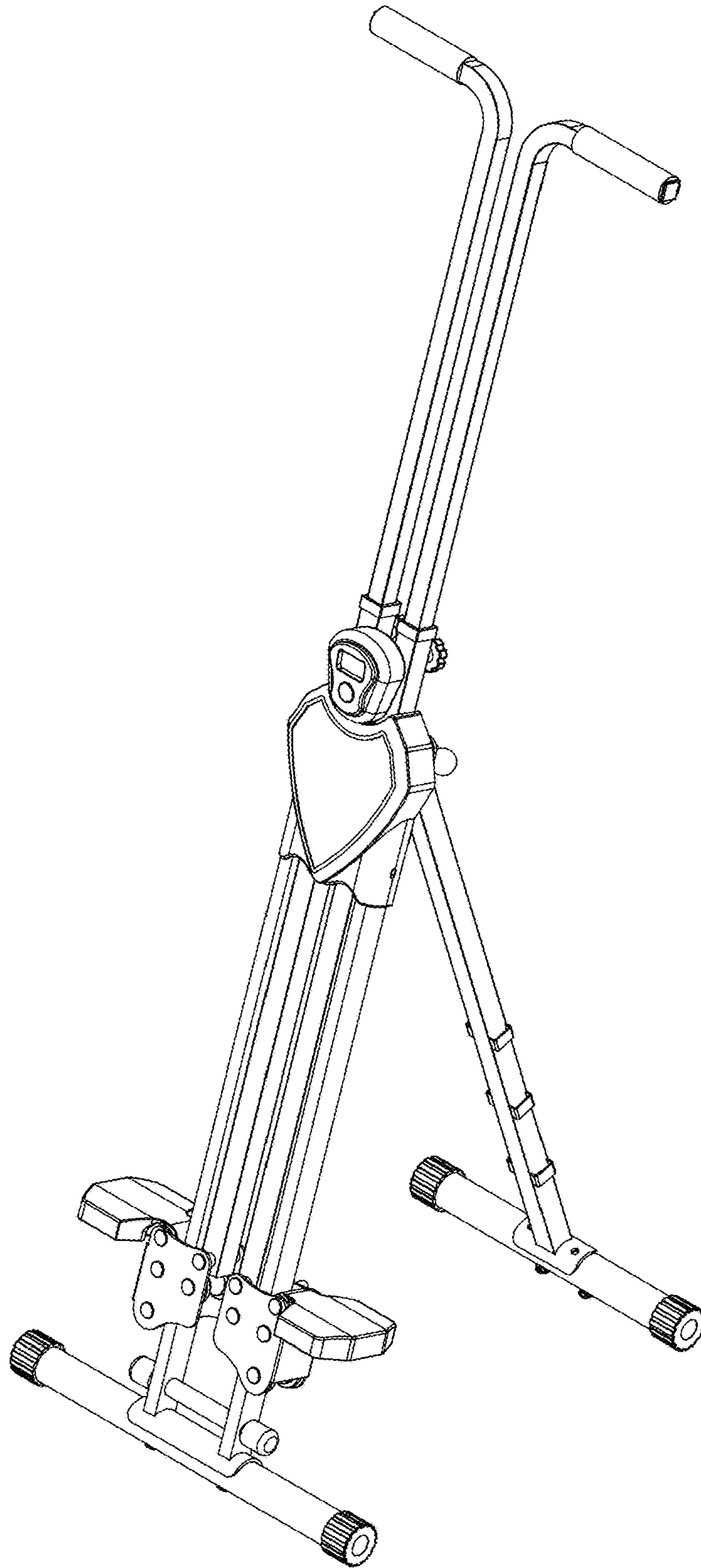


FIG. 9

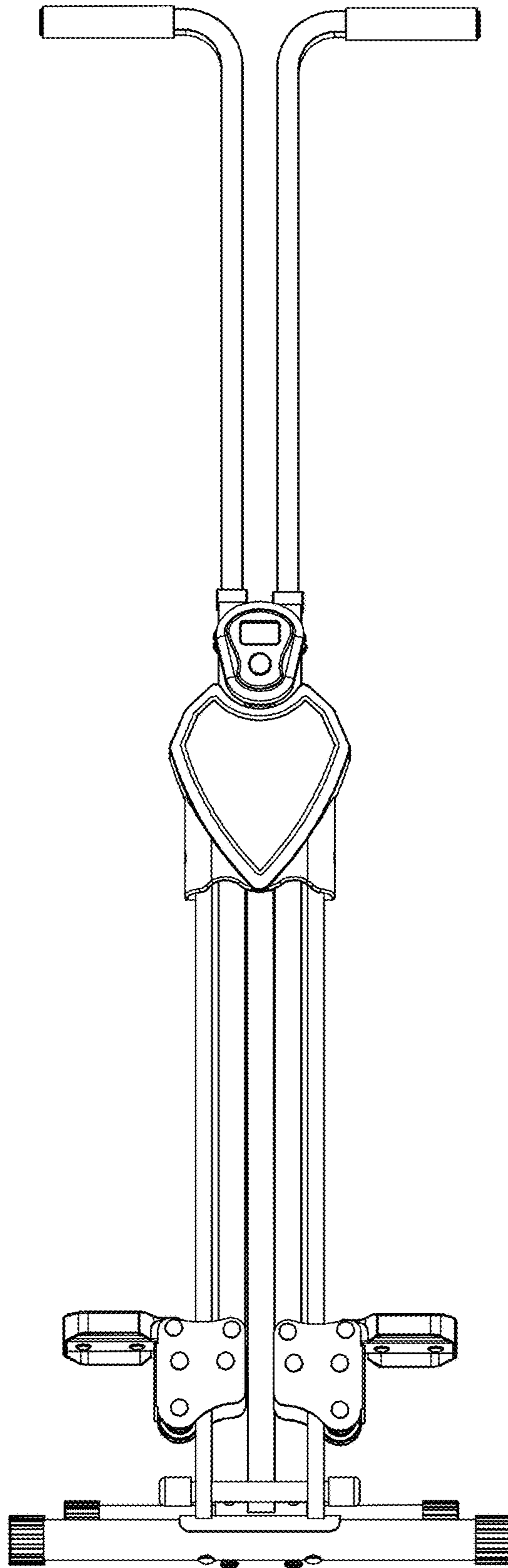


FIG. 10

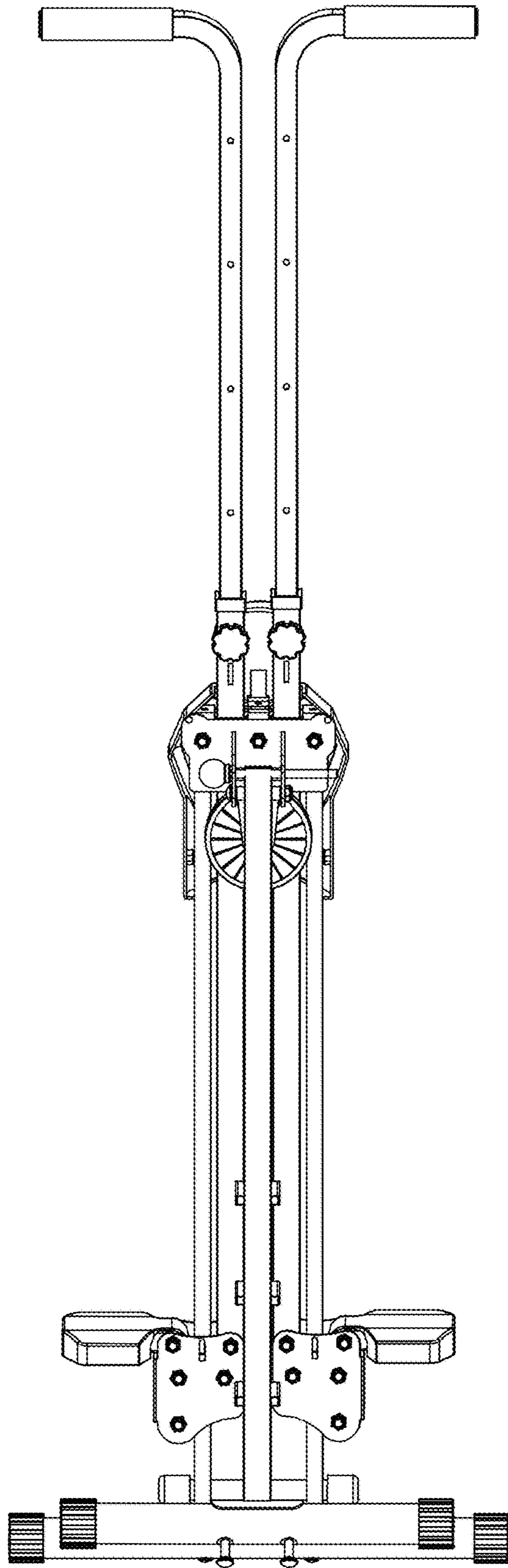


FIG. 11

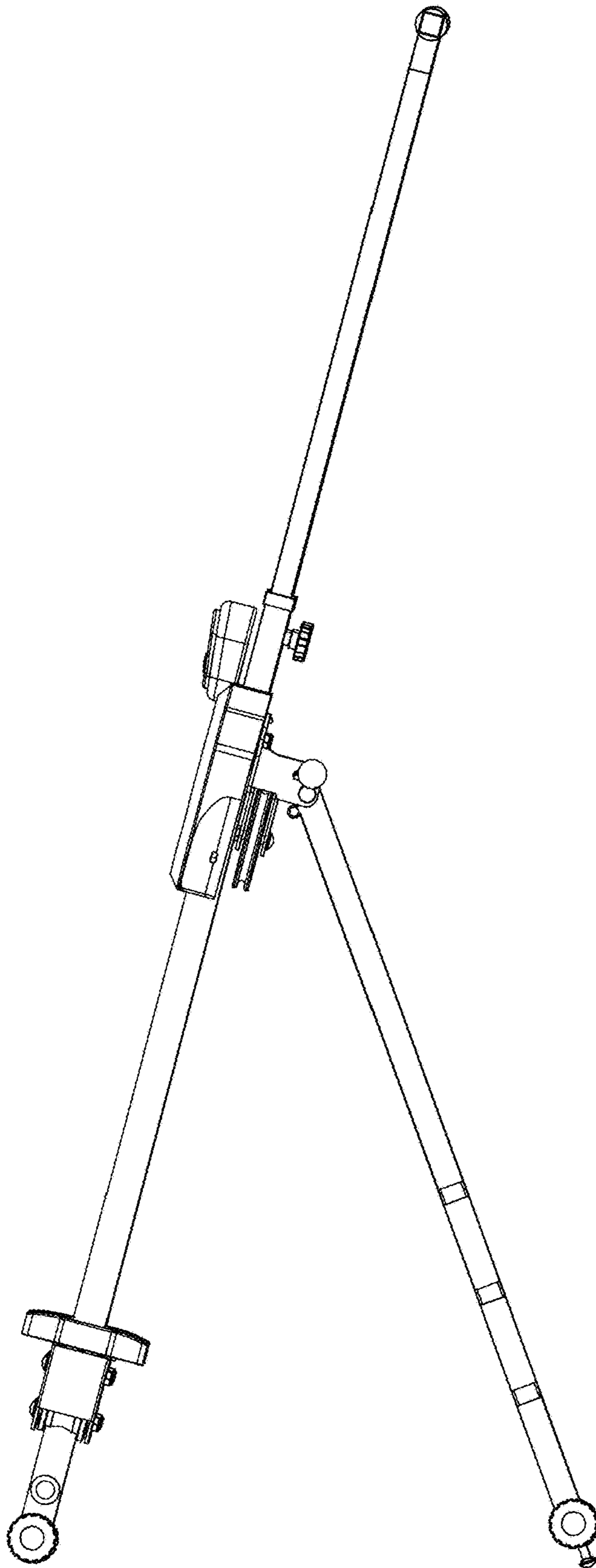


FIG. 12

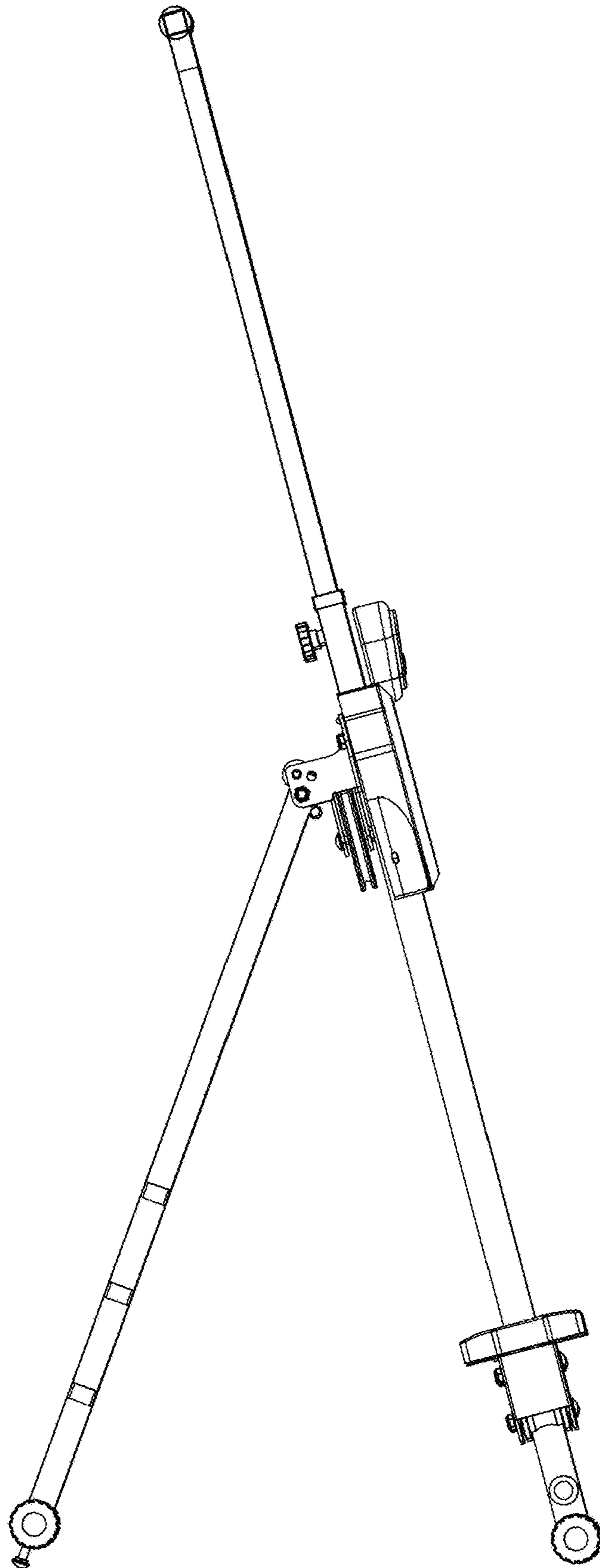


FIG. 13

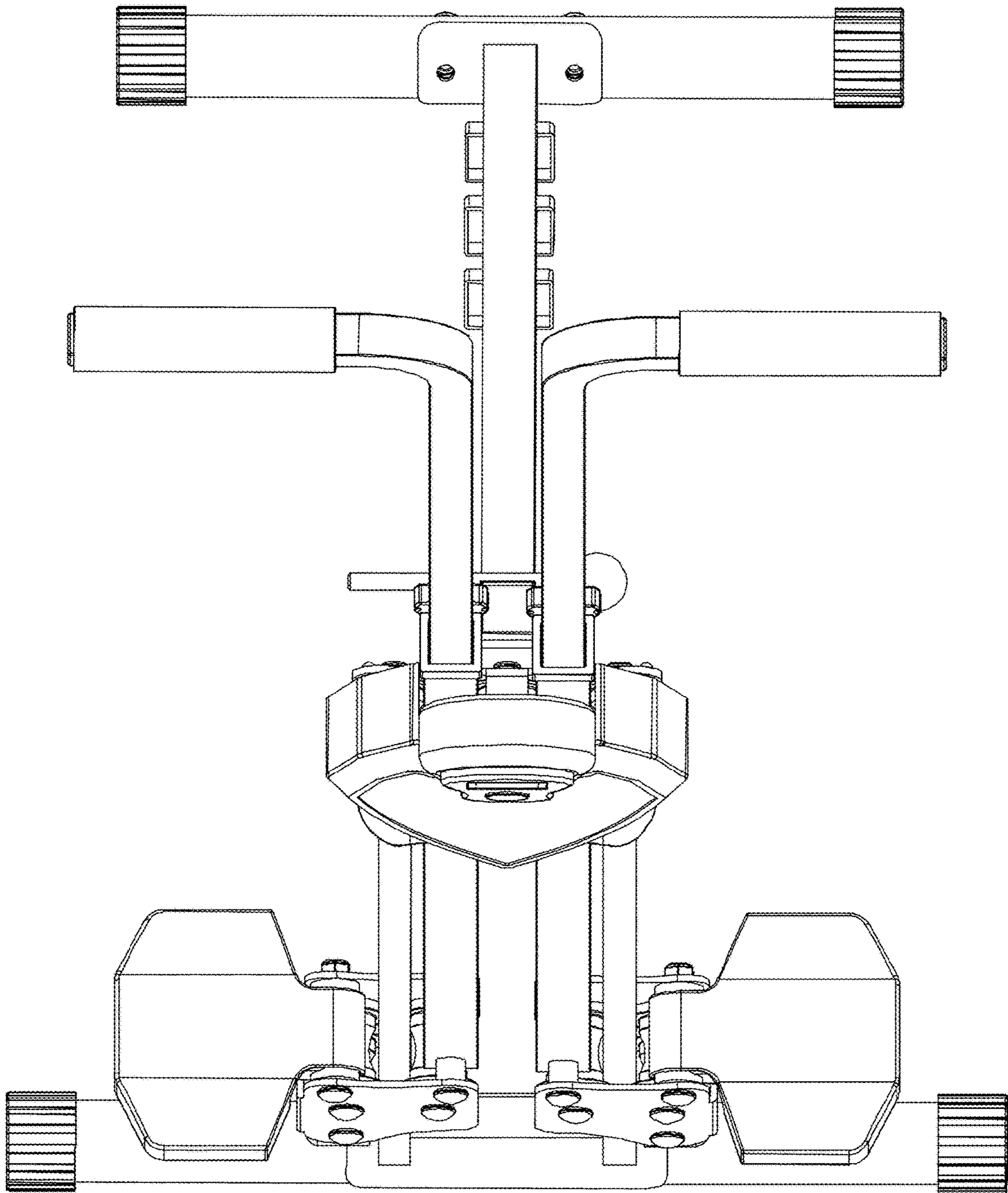


FIG. 14



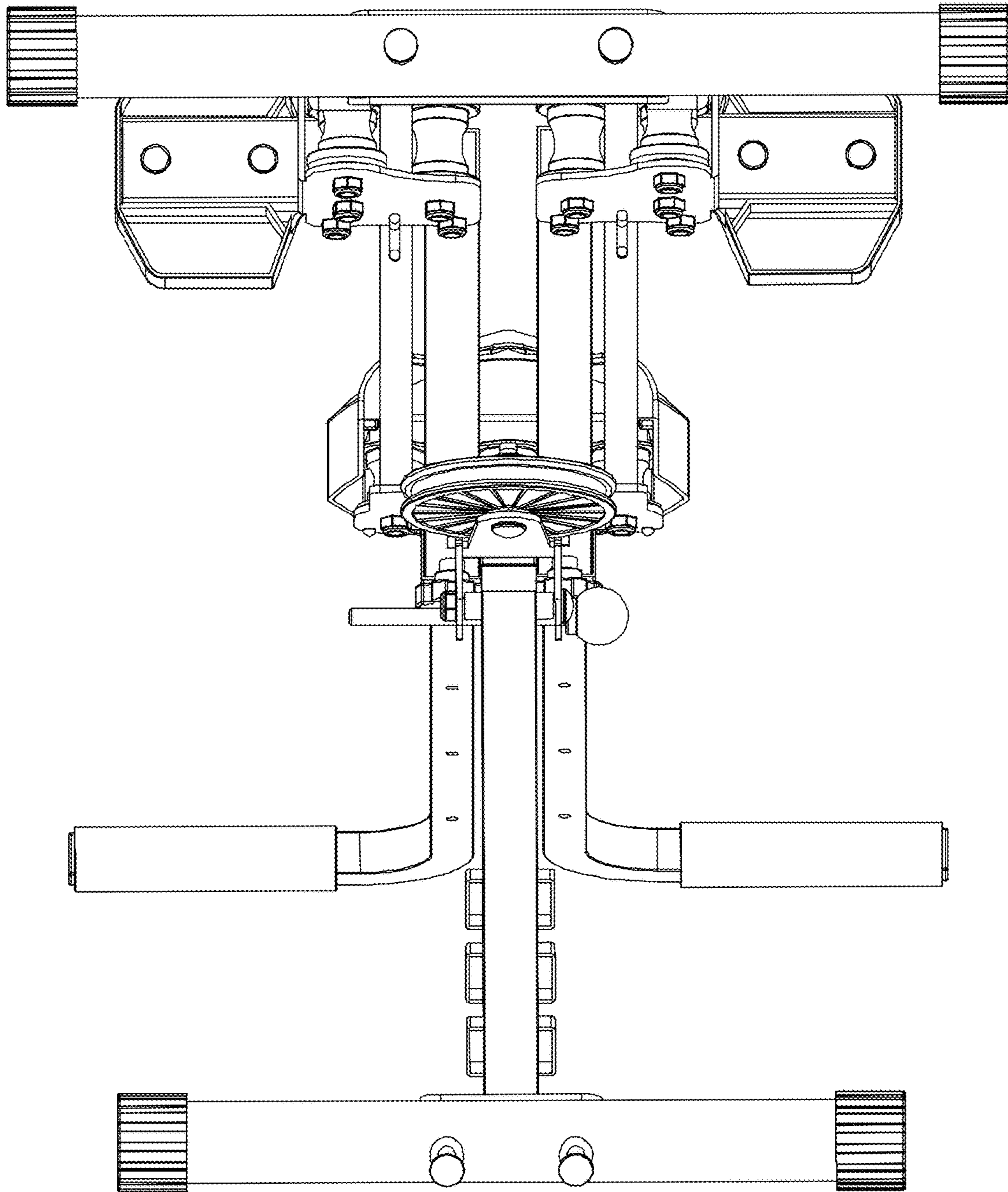


FIG. 15

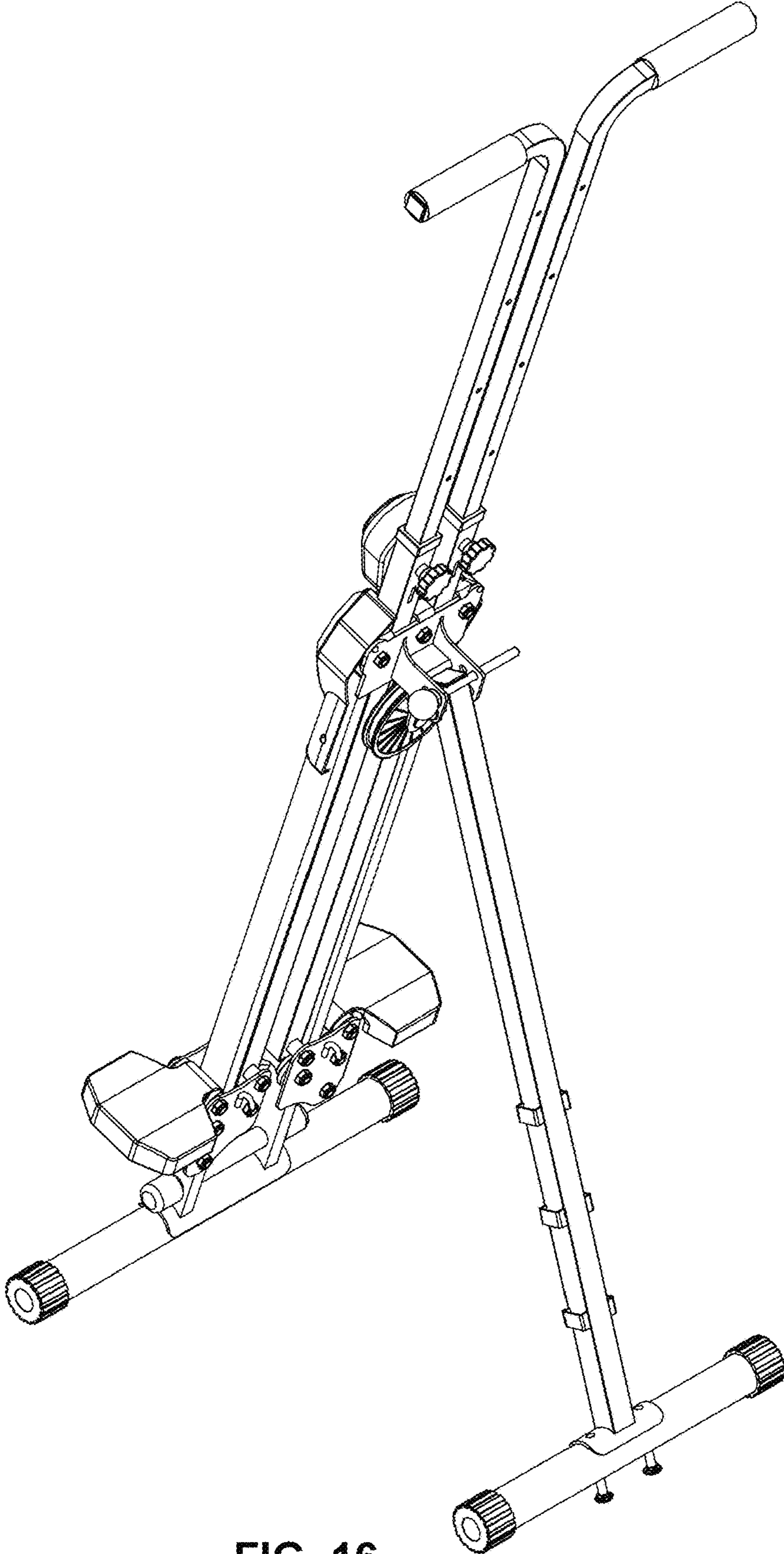


FIG. 16