



US00D842938S

(12) **United States Design Patent** (10) **Patent No.:** **US D842,938 S**
Vézina et al. (45) **Date of Patent:** **** Mar. 12, 2019**

(54) **FIGURINE**

(71) Applicant: **Mattel-MEGA Holdings (US), LLC**,
El Segundo, CA (US)

(72) Inventors: **Benoit Vézina**, Montreal (CA); **Eric Perreault**, St Basile le Grand (CA)

(73) Assignee: **Mattel-MEGA Holdings (US), LLC**,
El Segundo, CA (US)

(**) Term: **15 Years**

(21) Appl. No.: **29/611,338**

(22) Filed: **Jul. 20, 2017**

(51) **LOC (11) Cl.** **21-03**

(52) **U.S. Cl.**
USPC **D21/661**

(58) **Field of Classification Search**
USPC D15/199, 144; D21/578, 579, 576,
D21/621–627, 630, 634, 631, 658, 661;
D11/134, 136, 149, 157, 160, 184
(Continued)

(56) **References Cited**

U.S. PATENT DOCUMENTS

1,282,004 A 10/1918 Shearer
1,297,089 A 3/1919 Caccialanza
(Continued)

FOREIGN PATENT DOCUMENTS

CA 2898981 A1 * 8/2014 A63H 33/04
EM 002610717-0004 9/2015

OTHER PUBLICATIONS

Youtube, Doctor Who Character Building 12th Doctor—Micro Review, posted Aug. 29, 2014, [online], [site visited Jun. 21, 2018]. Available from Internet, <URL: <https://www.youtube.com/watch?v=kglvbi2CQy8>> (Year: 2014).*

(Continued)

Primary Examiner — Sheryl Lane

Assistant Examiner — Samantha N Wood

(74) *Attorney, Agent, or Firm* — Plumsea Law Group, LLC

(57) **CLAIM**

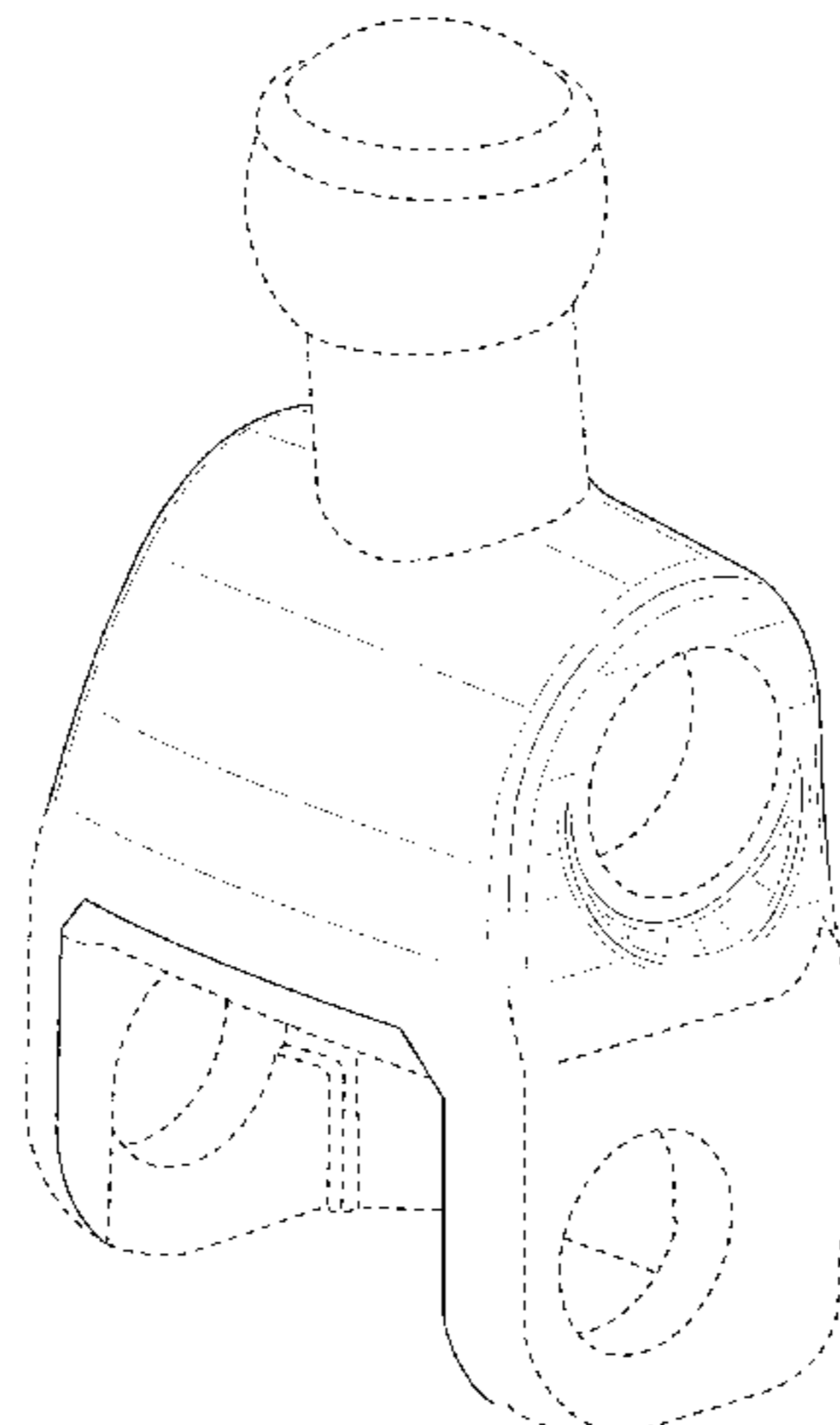
The ornamental design for a figurine, as shown and described.

DESCRIPTION

FIG. 1 is a top front isometric perspective view of a first embodiment of a figurine showing the new design; FIG. 2 is a top back isometric perspective view thereof; FIG. 3 is a front elevational view thereof; FIG. 4 is a rear elevational view thereof; FIG. 5 is a side elevational view thereof; FIG. 6 is an opposite side elevational view thereof; FIG. 7 is a top plan view thereof; FIG. 8 is a bottom plan view thereof; FIG. 9 is a top front isometric perspective view of a second embodiment of a figurine showing the new design; FIG. 10 is a top back isometric perspective view thereof; FIG. 11 is a front elevational view thereof; FIG. 12 is a rear elevational view thereof; FIG. 13 is a side elevational view thereof; FIG. 14 is an opposite side elevational view thereof; FIG. 15 is a top plan view thereof; FIG. 16 is a bottom plan view thereof; FIG. 17 is a top front isometric perspective view of a third embodiment of a figurine showing the new design; FIG. 18 is a top back isometric perspective view thereof; FIG. 19 is a front elevational view thereof; FIG. 20 is a rear elevational view thereof; FIG. 21 is a side elevational view thereof; FIG. 22 is an opposite side elevational view thereof; FIG. 23 is a top plan view thereof; and, FIG. 24 is a bottom plan view thereof.

The broken lines and unshaded areas form no part of the claimed design. The various directional adjectives used in this specification, such as “front,” “rear,” “side,” “top,” and “bottom,” refer to the figurine as illustrated.

1 Claim, 24 Drawing Sheets



- (58) **Field of Classification Search**
 CPC . B25J 9/044; B25J 9/102; B25J 9/0078; B25J
 9/003; B25J 18/00; B25J 18/002; B25J
 18/04; B25J 18/007; B25J 15/00; B25J
 15/33; B25J 15/0038; B25J 15/0033;
 A63H 13/00; A63H 13/005; A63H 13/04;
 A63H 3/16
 See application file for complete search history.

(56) **References Cited**

U.S. PATENT DOCUMENTS

D71,094 S	9/1926	Willmott	
D137,551 S	6/1944	Baker	
2,752,726 A	7/1956	Calverley	
3,225,489 A	12/1965	Ryan	
3,236,004 A	2/1966	Christiansen	
3,651,598 A	3/1972	Lang	
3,768,197 A	10/1973	Shimamura	
3,874,113 A	4/1975	Beck	
3,946,517 A	3/1976	Goldfarb et al.	
D239,634 S	4/1976	Knudsen et al.	
D239,846 S	5/1976	Knudsen et al.	
3,962,819 A	6/1976	Christiansen	
3,995,395 A	12/1976	Rahmstorf	
D246,199 S	10/1977	Ogawa	
D246,201 S	10/1977	Ogawa	
4,063,381 A	12/1977	Deulofeu	
D247,054 S	1/1978	Rahmstorf	
D248,115 S	6/1978	Tapdrup	
D248,172 S	6/1978	Tapdrup	
D248,173 S	6/1978	Tapdrup	
D248,174 S	6/1978	Tapdrup	
D248,175 S	6/1978	Tapdrup	
D248,176 S	6/1978	Tapdrup	
D248,177 S	6/1978	Tapdrup	
D248,178 S	6/1978	Tapdrup	
D248,582 S	7/1978	Tapdrup	
4,136,481 A	1/1979	Nicholls	
4,141,176 A	2/1979	Flicker et al.	
D251,261 S	3/1979	Tapdrup	
D253,711 S	12/1979	Christiansen et al.	
4,185,412 A	1/1980	Rahmstorf	
D254,264 S	2/1980	Melotti	
4,190,982 A	3/1980	Rahmstorf	
4,203,248 A *	5/1980	Tapdrup	A63H 3/16 446/118
D255,475 S	6/1980	Boot	
4,205,482 A	6/1980	Christiansen et al.	
D255,813 S	7/1980	Pape et al.	
D260,665 S	9/1981	Yamashina	
D265,673 S *	8/1982	Orenstein	D21/578
4,399,632 A	8/1983	Iseki	
D278,645 S	4/1985	Nielsen	
4,512,749 A	4/1985	Deulofeu	
D278,735 S	5/1985	Nielsen	
D279,494 S	7/1985	Nielsen	
D282,944 S	3/1986	Nielsen	
D283,149 S	3/1986	Nielsen	
D283,150 S	3/1986	Jensen	
D283,906 S	5/1986	Nielsen	
D284,091 S	6/1986	Arnau	
4,643,691 A	2/1987	Keiji	
D291,585 S	8/1987	Bertrand	
D301,499 S	6/1989	Tapdrup	
D301,500 S	6/1989	Tapdrup	
4,950,912 A	8/1990	Goldfarb et al.	
4,993,988 A	2/1991	Chamberlain	
D317,796 S *	6/1991	Laursen	D21/621
D325,605 S	4/1992	Holmstrom	
D329,069 S	9/1992	Holmstrom	
D329,070 S	9/1992	Holmstrom	
D329,884 S	9/1992	Holmstrom	
D332,117 S	12/1992	Holmstrom	
5,209,694 A	5/1993	Utt, Jr.	
5,328,400 A	7/1994	Bass	

D352,078 S	11/1994	Bertrand	
D353,417 S	12/1994	Ryaa et al.	
D353,418 S	12/1994	Ryaa et al.	
D353,856 S	12/1994	Ryaa et al.	
D354,533 S	1/1995	Ryaa et al.	
D366,076 S	1/1996	Pedersen	
5,628,669 A	5/1997	Hesse	
D393,670 S	4/1998	Glickman et al.	
D399,893 S *	10/1998	Tong	D21/636
D404,441 S *	1/1999	Tong	D21/585
D420,064 S	2/2000	Poirier et al.	
D420,066 S	2/2000	Nielsen	
6,439,952 B1	8/2002	Yamamura	
D472,283 S	3/2003	Akashi	
6,575,810 B1	6/2003	Sohn	
D481,083 S	10/2003	Bresciani et al.	
6,692,332 B2	2/2004	Jheow	
D494,642 S	8/2004	Bresciani et al.	
D494,643 S	8/2004	Bresciani et al.	
D495,764 S	9/2004	Bresciani et al.	
6,817,921 B2	11/2004	Chin et al.	
7,021,989 B2	4/2006	Wai	
D531,084 S	10/2006	McGowen et al.	
D531,234 S	10/2006	Kitamura	
D531,541 S	11/2006	McGowen et al.	
D531,542 S	11/2006	McGowen et al.	
D536,051 S	1/2007	Hernandez, Jr.	
D539,364 S	3/2007	Sofussen	
D556,840 S	12/2007	Wilk et al.	
D594,870 S	6/2009	Leung	
7,553,209 B1	6/2009	Sorensen	
7,566,256 B2	7/2009	Wai	
D611,108 S	3/2010	Bodin	
D621,886 S	8/2010	Lee	
D631,786 S	2/2011	Palmer	
D639,353 S	6/2011	Stibolt	
8,210,891 B2	7/2012	Brumagin et al.	
D672,410 S	12/2012	Dubreuil et al.	
D672,411 S	12/2012	Dubreuil et al.	
D672,412 S	12/2012	Dubreuil et al.	
D672,413 S	12/2012	Dubreuil et al.	
D677,744 S	3/2013	Yu	
D688,332 S	8/2013	Stosiak et al.	
D700,241 S *	2/2014	Turner	D19/69
D740,683 S	10/2015	Kassouni	
D746,171 S	12/2015	Lau et al.	
D753,241 S	4/2016	Jaensch	
D753,243 S	4/2016	Jaensch	
D760,328 S	6/2016	Croston et al.	
D760,330 S	6/2016	Croston et al.	
D762,787 S	8/2016	Barbiani et al.	
2007/0087651 A1	4/2007	Ali	

OTHER PUBLICATIONS

Doctor Who Toys, Character Building Series 3 Micro Figures, webarchive Oct. 14, 2014, [online], [site visited Jun. 21, 2018]. Available from Internet, <URL: <https://web.archive.org/web/20141014231423/http://www.doctorwhotoys.net:80/characterbuildingseries3.htm>> (Year: 2014).*

“Mega Bloks Rescue Squad, First Builders,” Mega Bloks item #6623, <URL: <https://web.archive.org/web/20130831045609/http://www.megabloks.com/en-us/shop/construction-toys/first-builders/rescue-squad-6623>>, 3 pages, published Aug. 31, 2013.

“Mega Bloks Block Buddies, First Builders,” Mega Bloks item #81215, <URL: <https://web.archive.org/web/20140808082347/http://www.megabloks.com/en-us/shop/construction-toys/first-builders/block-buddies-81215>>, 2 pages, published Aug. 8, 2014.

“Mega Bloks Collection: Dora the Explorer,” <URL: <https://web.archive.org/web/20141019205539/http://www.megabloks.com/en-ca/shop/construction-toys/dora-the-explorer>>, 3 pages, published Oct. 19, 2014.

“Duplo Figure Bust Short with Striped Dungarees and Black Male Hair,” Lego Part 2327cx1, first produced 1994 according to: <URL: <http://www.peeron.com/inv/parts/2327cx1>>, 2 pages.

(56)

References Cited

OTHER PUBLICATIONS

“Duplo Figure Bust Short with Suspenders, Yellow Freckle Nose, and Red Male Hair,” Lego Part 2327cx3, first produced 1992 according to: <URL: <http://www.peeron.com/inv/parts/2327cx3>>, 2 pages.

“Duplo Figure Bust Tall with Freckle Nose and Brown Ragged Male Hair,” Lego Part x829cx12, first produced 1984 according to: <URL: <http://www.peeron.com/inv/parts/x829cx12>>, 3 pages.

“Duplo Figure Bust Tall with Male Face (Thick Eyebrows) and Yellow Derby Hat,” Lego Part x829cx23, first produced 1980 according to: <URL: <http://www.peeron.com/inv/parts/x829cx23>>, 3 pages.

“Mega Bloks Block Buddies My Pony Stable Instructions,” 2004, 6 pages.

Mega Bloks First Builders School Bus Building Set (via Amazon), available Feb. 1, 2017, [online], [site visited Feb. 1, 2017]. Available from internet, <URL: https://www.amazon.com/Mega-Bloks-Builders-School-Building/dp/B01CW6EL72/ref=pd_sim_21_3?encoding=UTF8&pd_rd_i=B01CW6EL72&pd_rd_r=Q3W4BME1AB6XPVDJ7HJX&pd_rd_w=EIOMK&pd_rd_wg=urqUF&psc=1&refRID=Q3>.

Mega Bloks Pink Convertible Building Set (via Amazon), available Jan. 4, 2017, [online], [site visited Feb. 1, 2017]. Available from internet, <URL: https://www.amazon.com/Mega-Bloks-Pink-Convertible-Building/dp/B01CW6EL0E/ref=cm_cr_ar_p_d_pdt_img_top?ie=UTF8>.

Mega Bloks Dylan Dump Truck (via Amazon), available Jan. 17, 2013, [online], [site visited Feb. 1, 2017]. Available from internet, <URL: https://www.amazon.com/Mega-Bloks-Dylan-Dump-Truck/dp/B006LEZ9EQ/ref=sr_1_1?s=toys-and-games&ie=UTF8&qid=1486358821&sr=1-1&keywords=dylan+dump+truck>.

Office Action dated Jun. 29, 2018 in Design U.S. Appl. No. 29/611,345.

Amazon, Lego Duplo Man, available Oct. 8, 2010, [online], [site visited May 17, 2018]. Available from Internet, <URL: https://www.amazon.co.uk/Lego-Duplo-Baseball-Green-Shirt/dp/B0045RKIOW/ref=sr_1_34?ie=UTF8&qid=1526578105&sr=8-34&keywords=legoville+duplo+figure> (Year: 2010).

CPSC.gov, Fisher-Price Recalls Little People Play 'n Go Campsite Due to Choking Hazard, issued Aug. 5, 2010, [online], [site visited Jun. 21, 2018]. Available from Internet, <URL: <https://www.cpsc.gov/Recalls/2010/fisher-price-recalls-little-people-play-n-go-campsite-due-to-choking-hazard>> (Year: 2010).

* cited by examiner

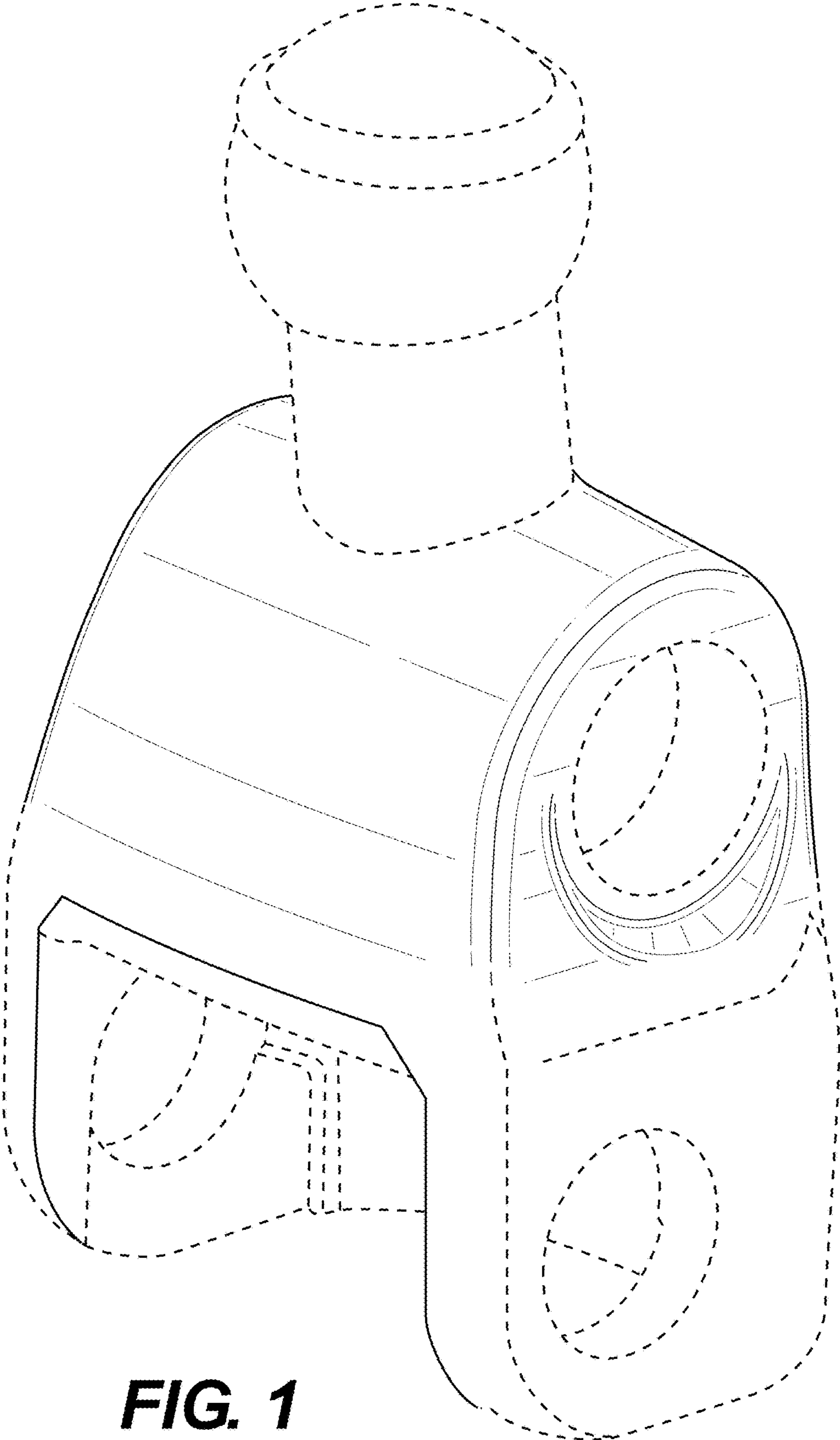


FIG. 1

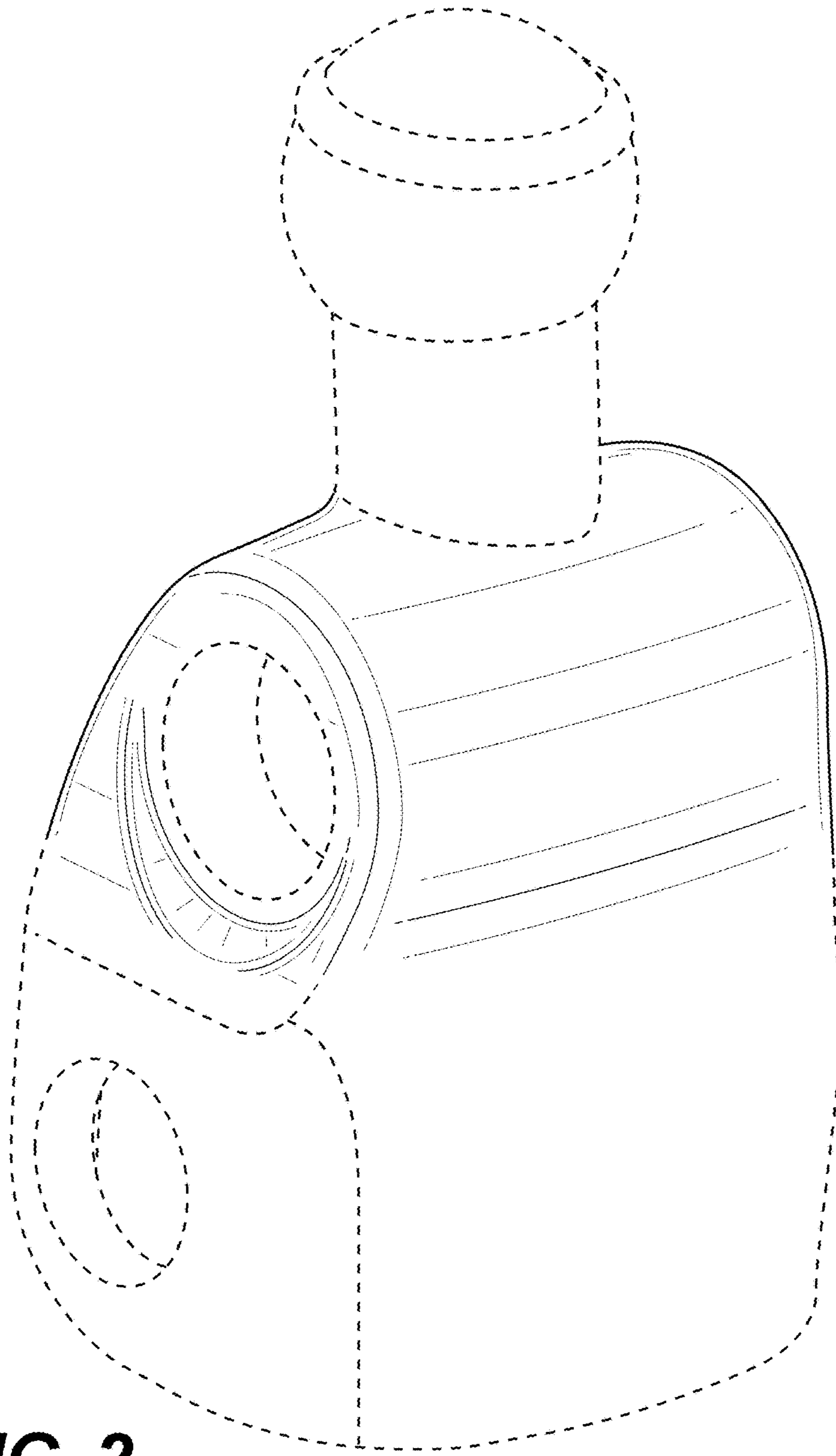


FIG. 2

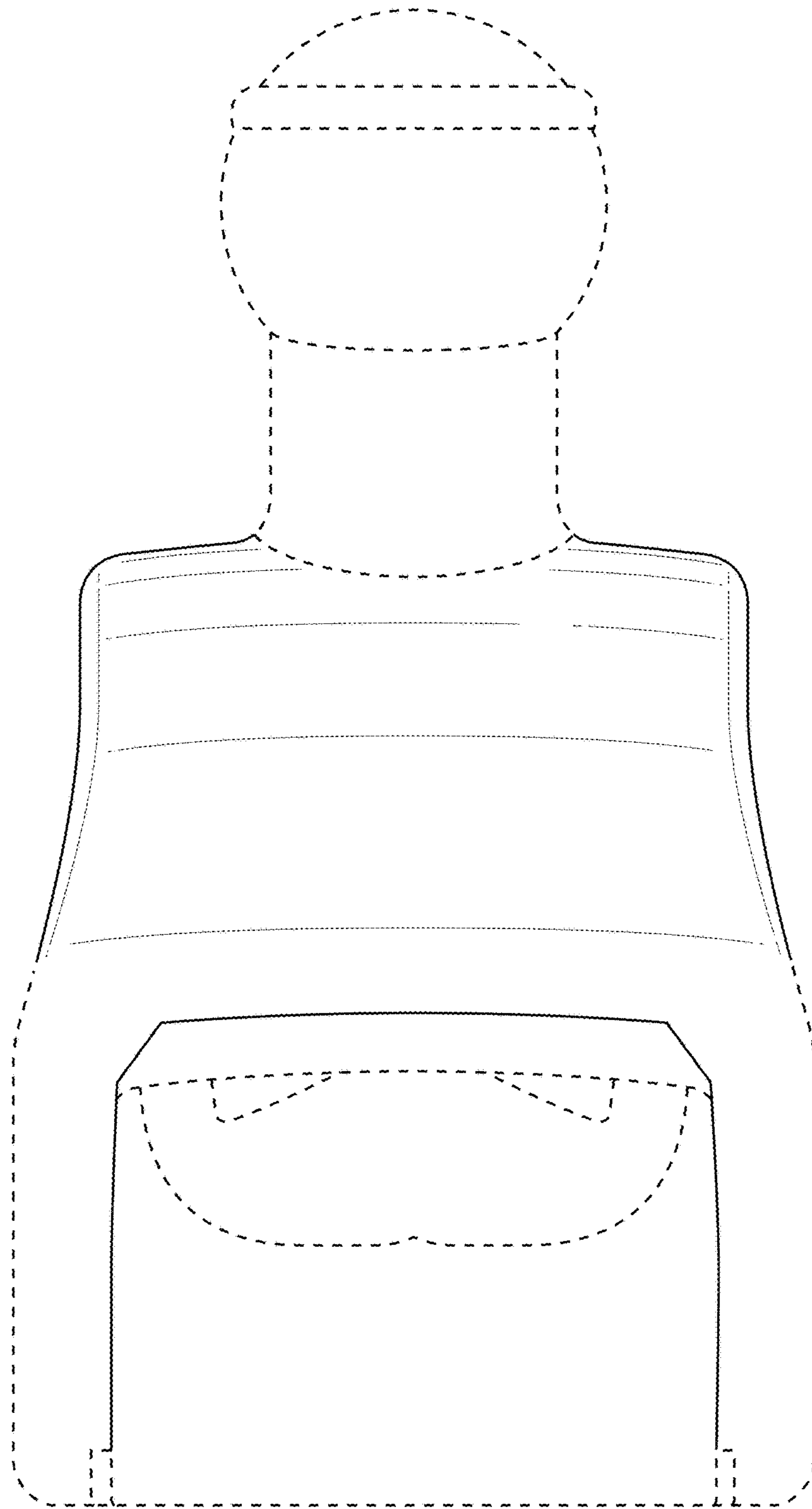


FIG. 3

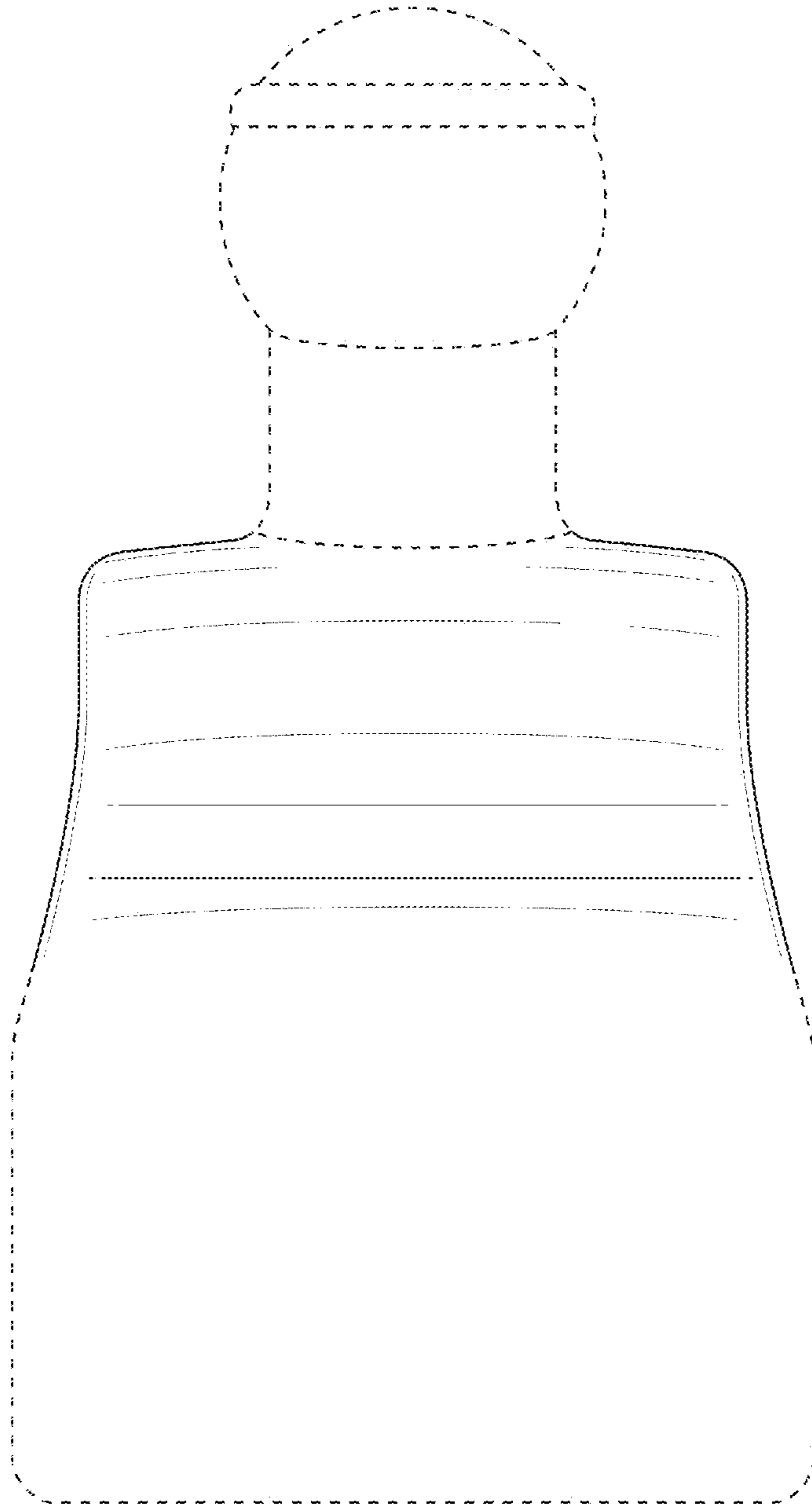


FIG. 4

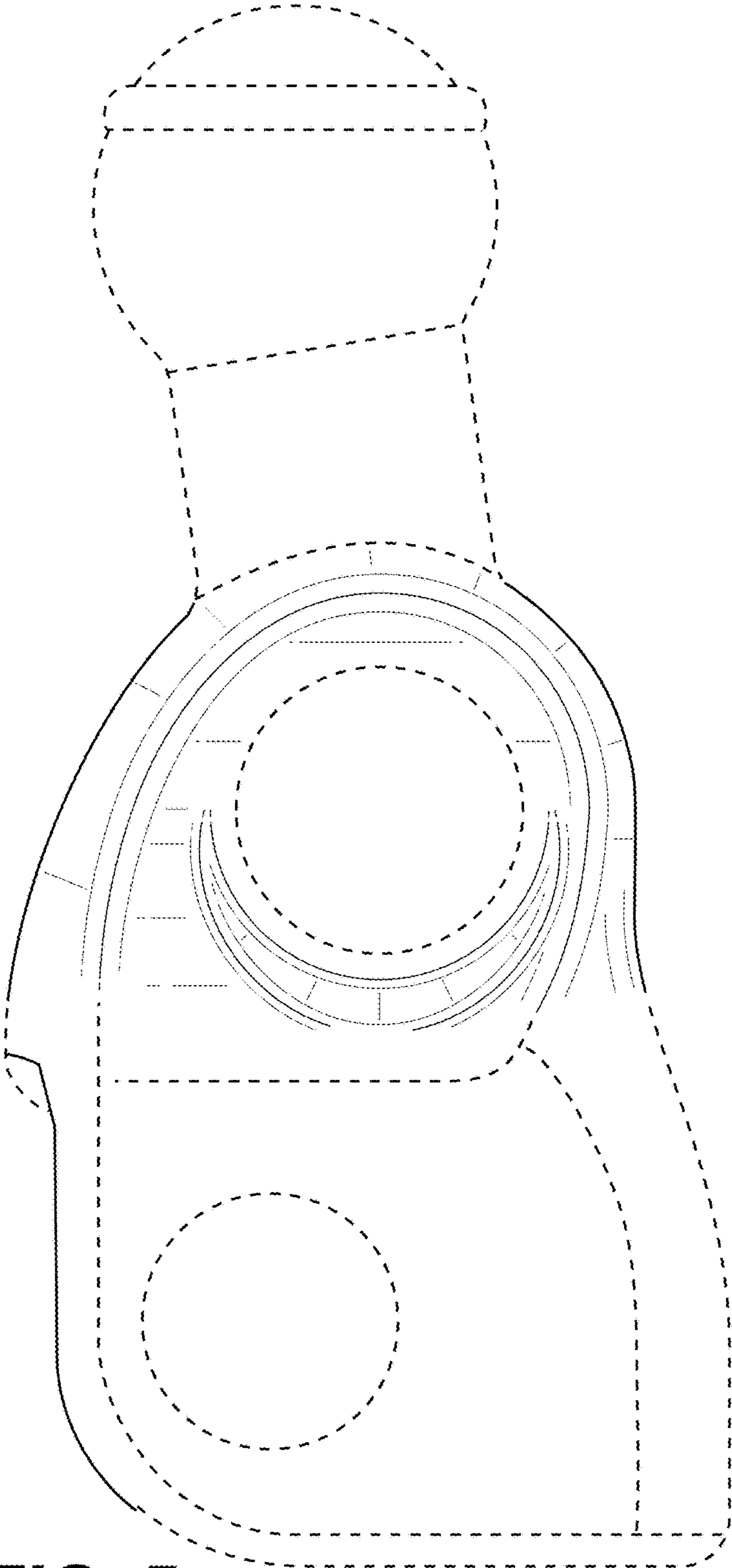


FIG. 5

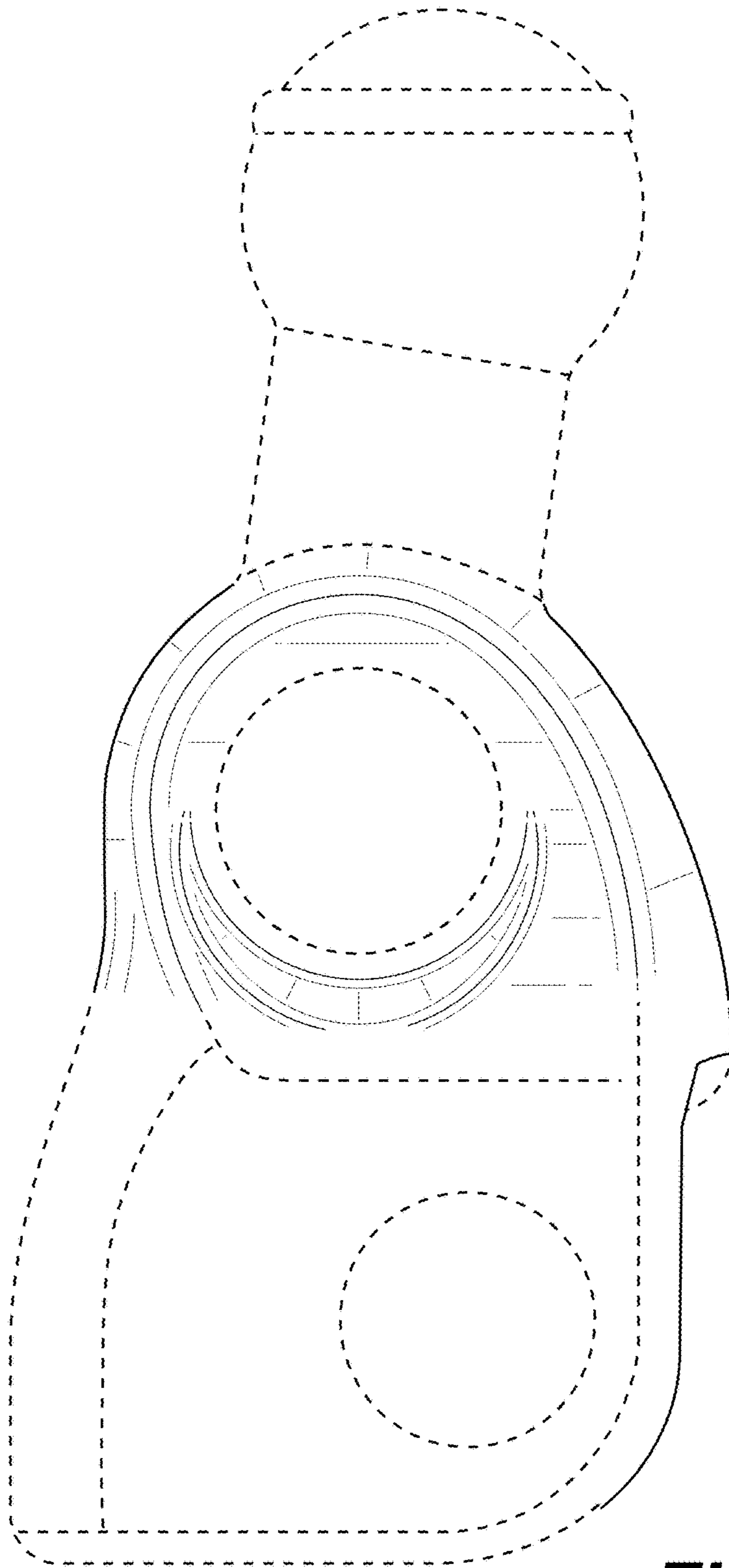


FIG. 6

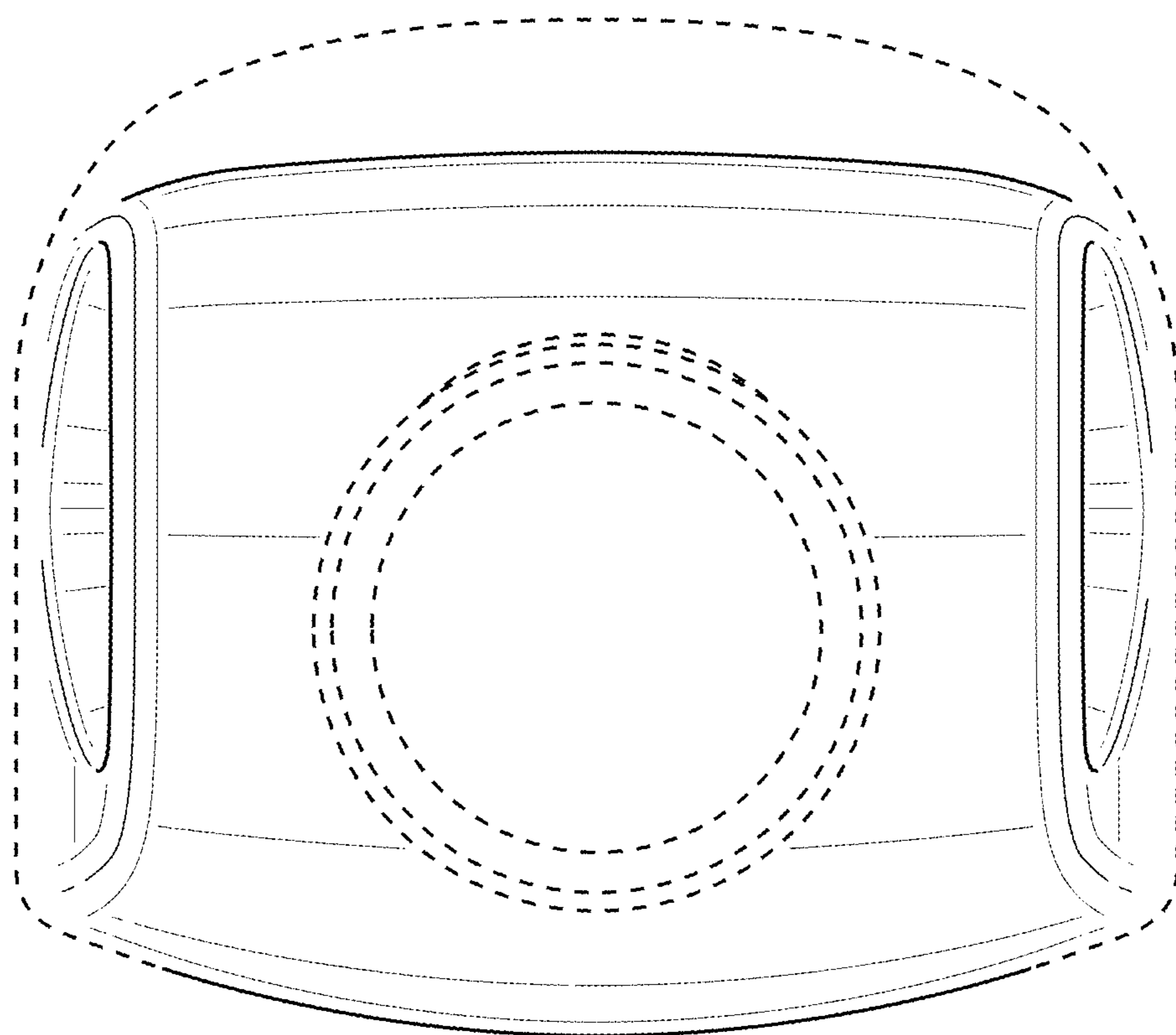


FIG. 7

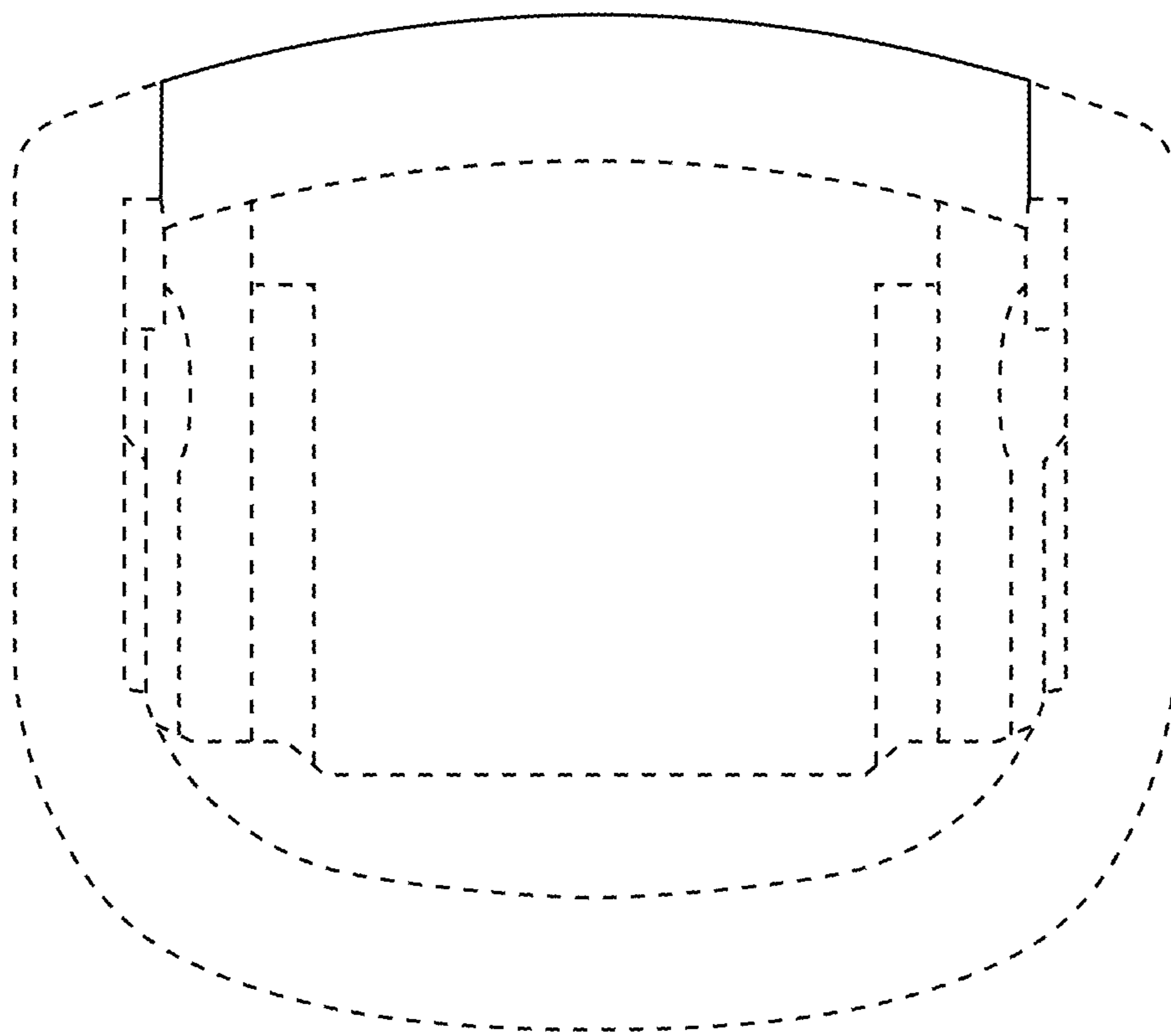


FIG. 8

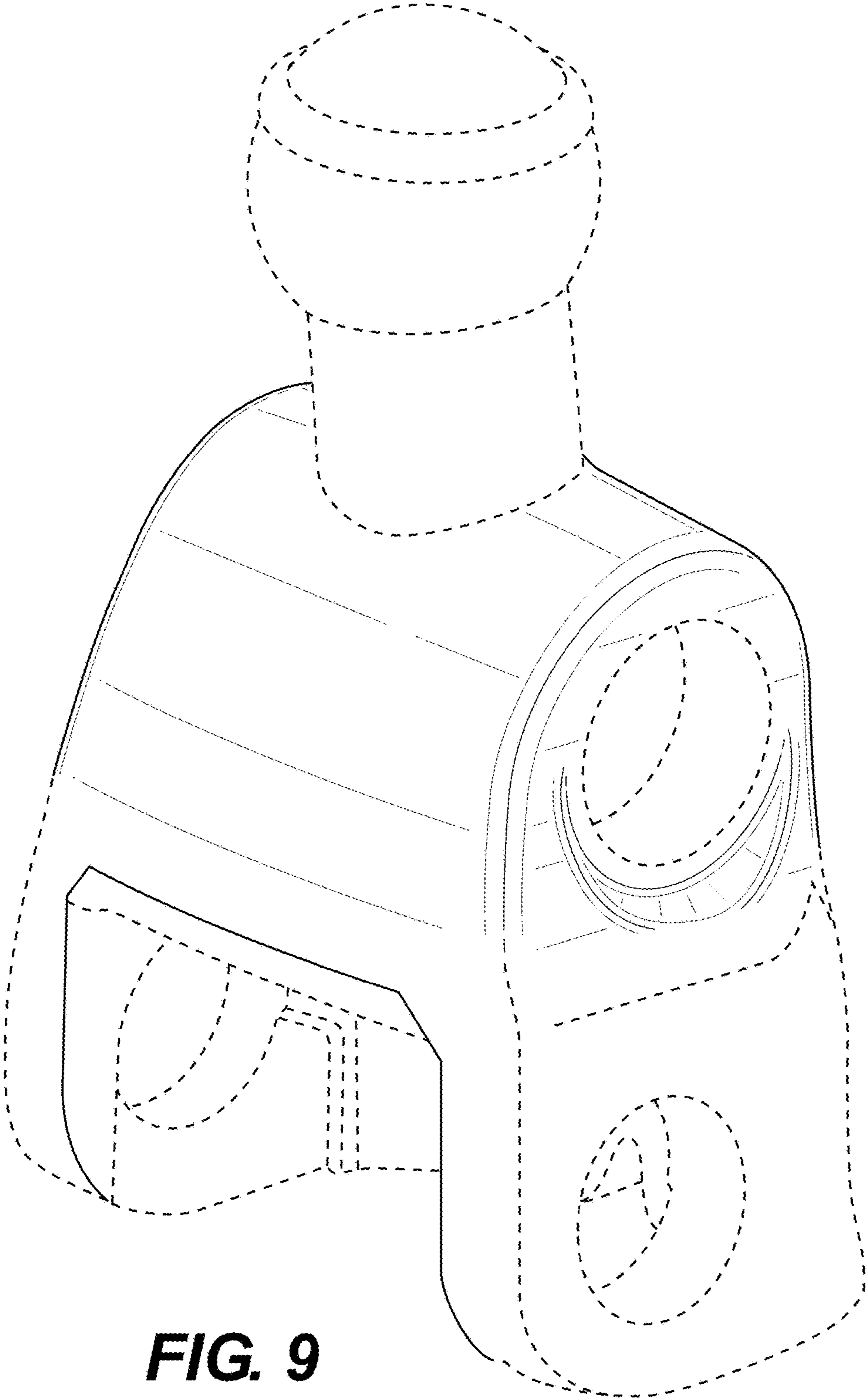


FIG. 9

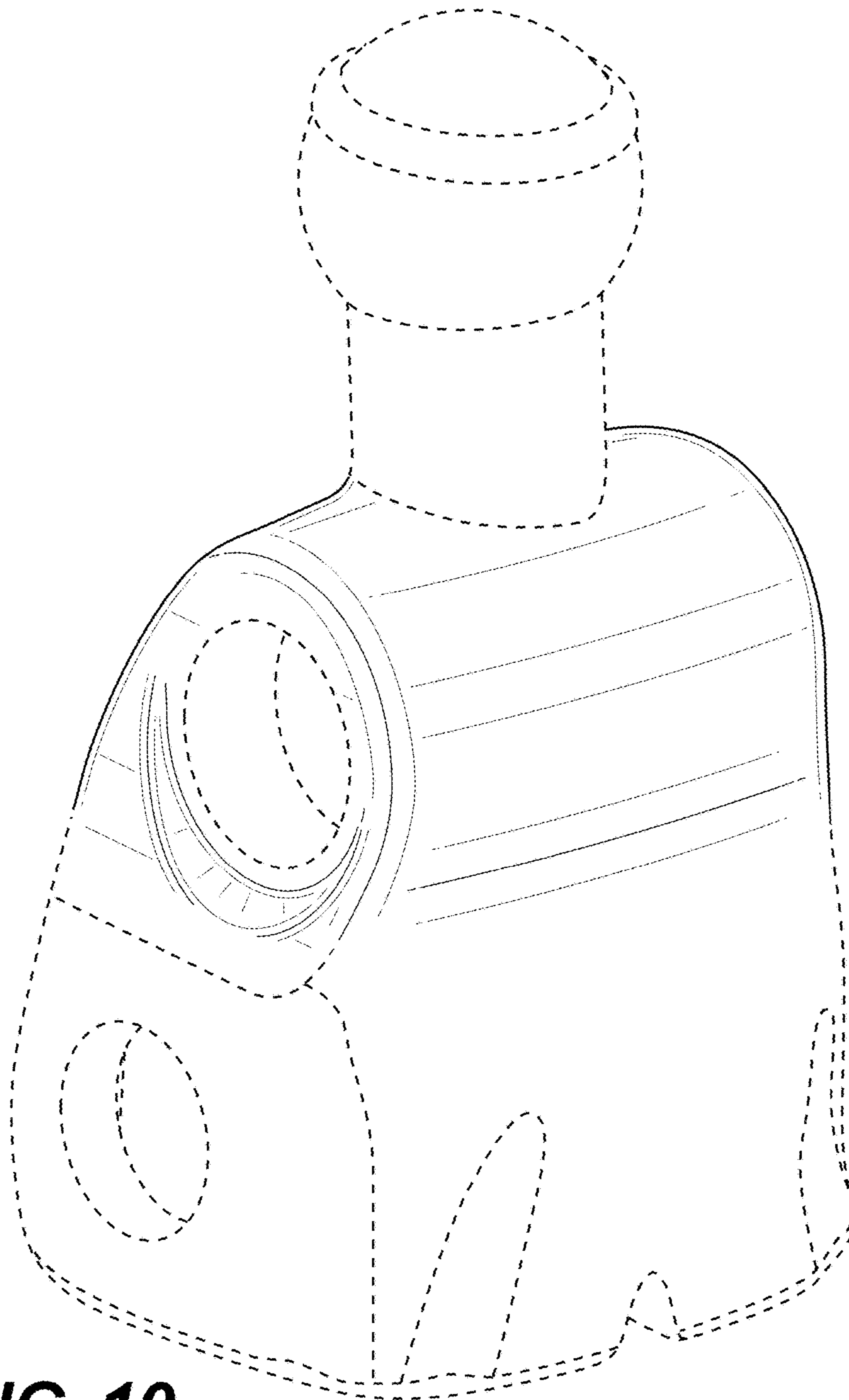


FIG. 10

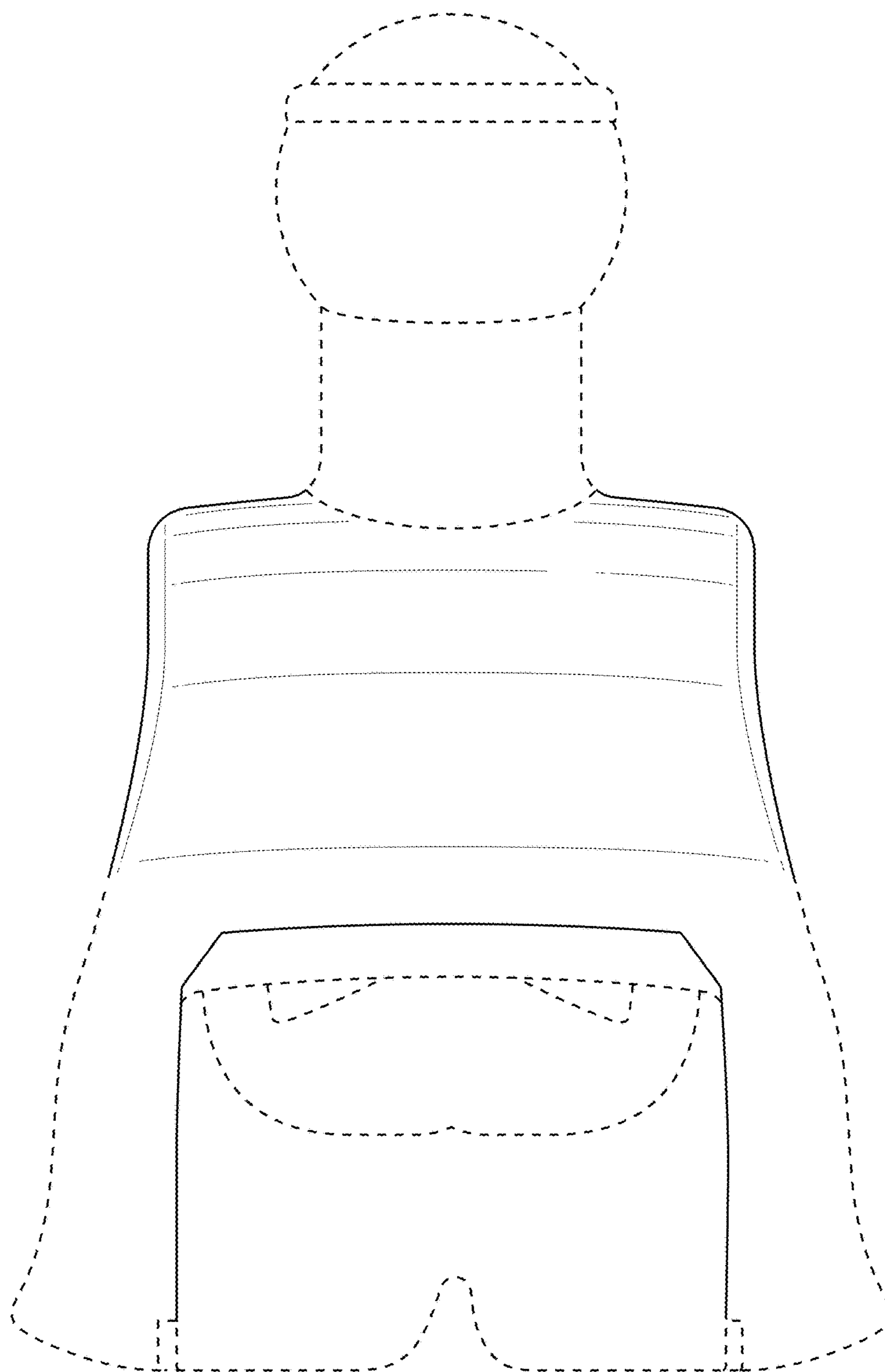


FIG. 11

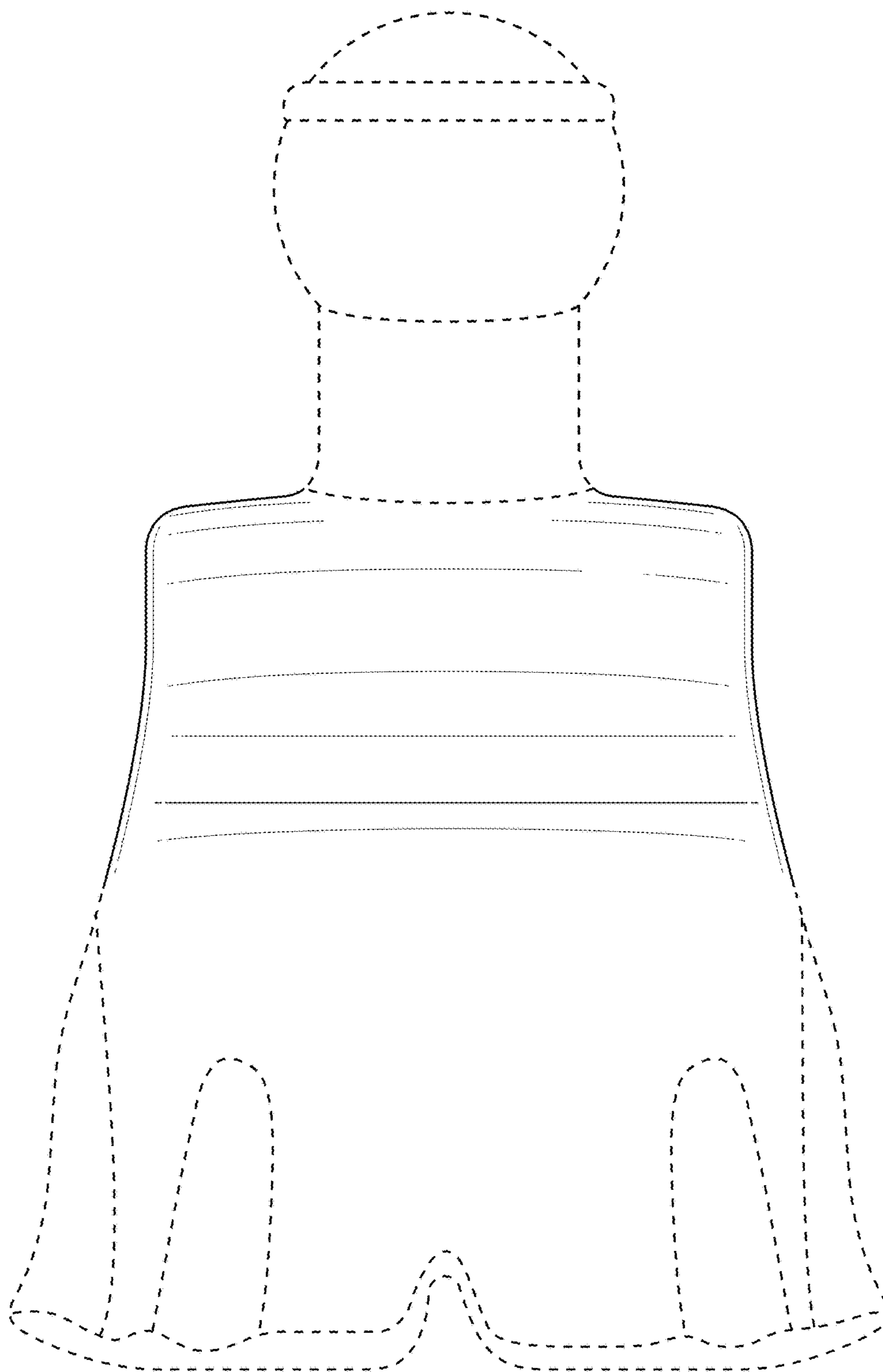


FIG. 12

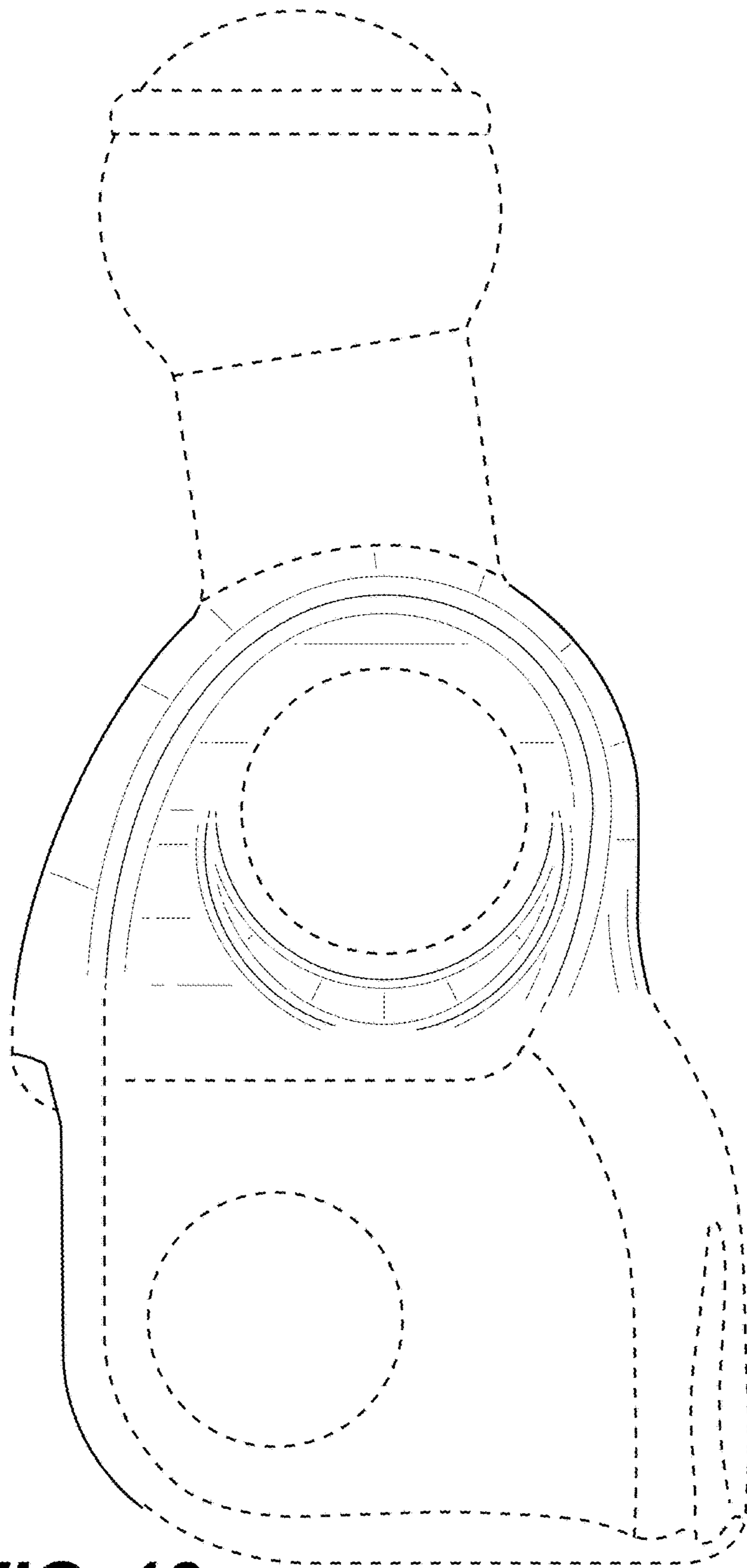


FIG. 13

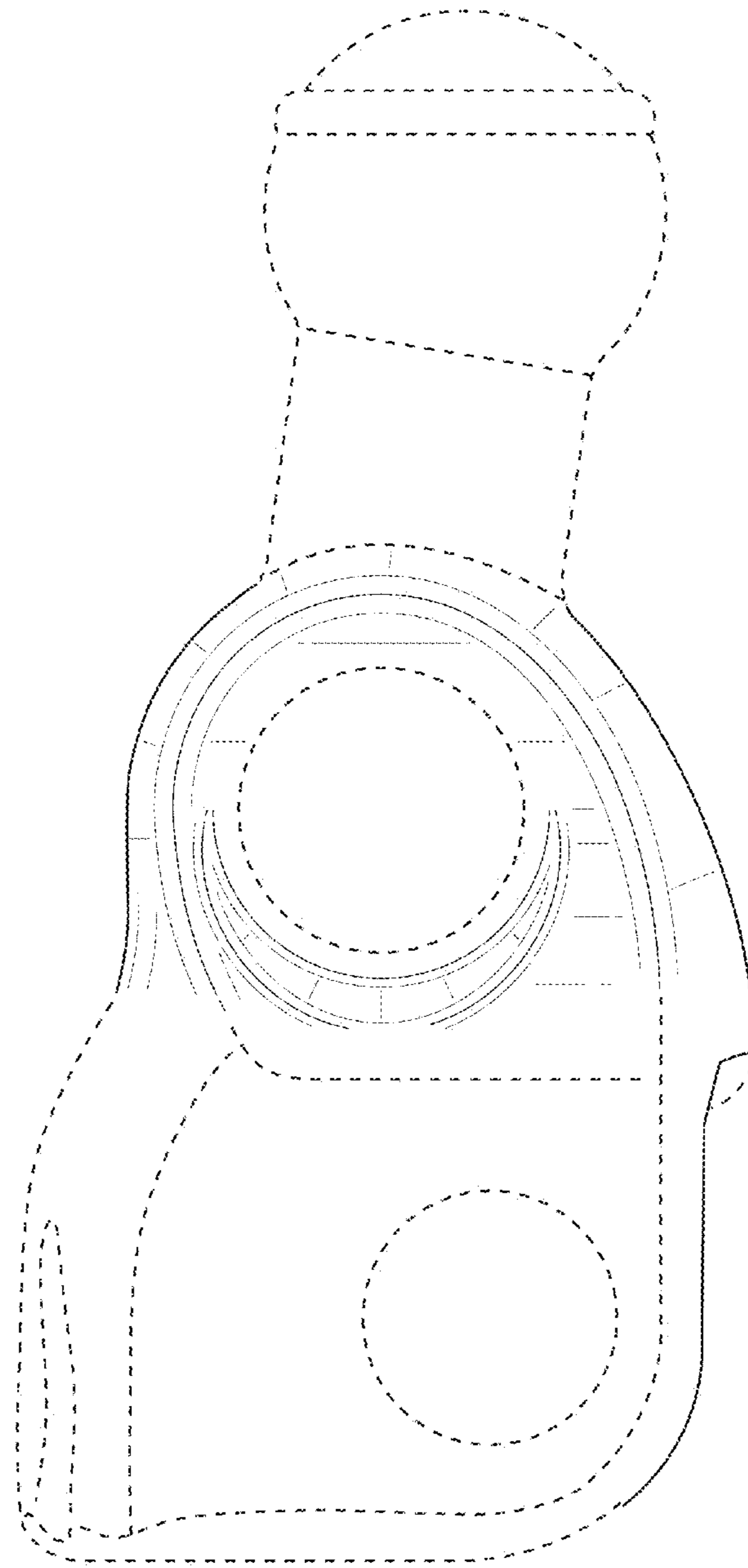


FIG. 14

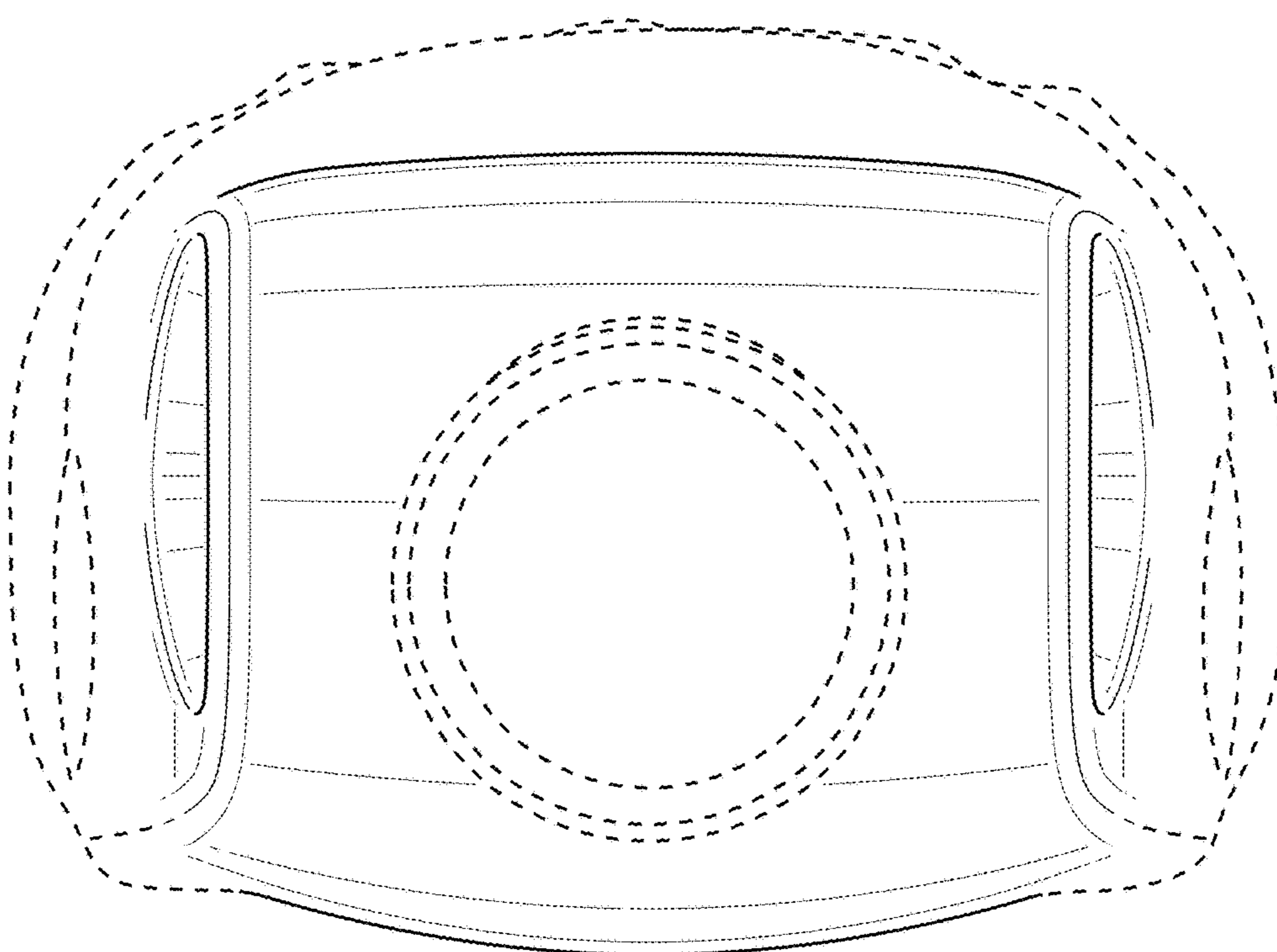


FIG. 15

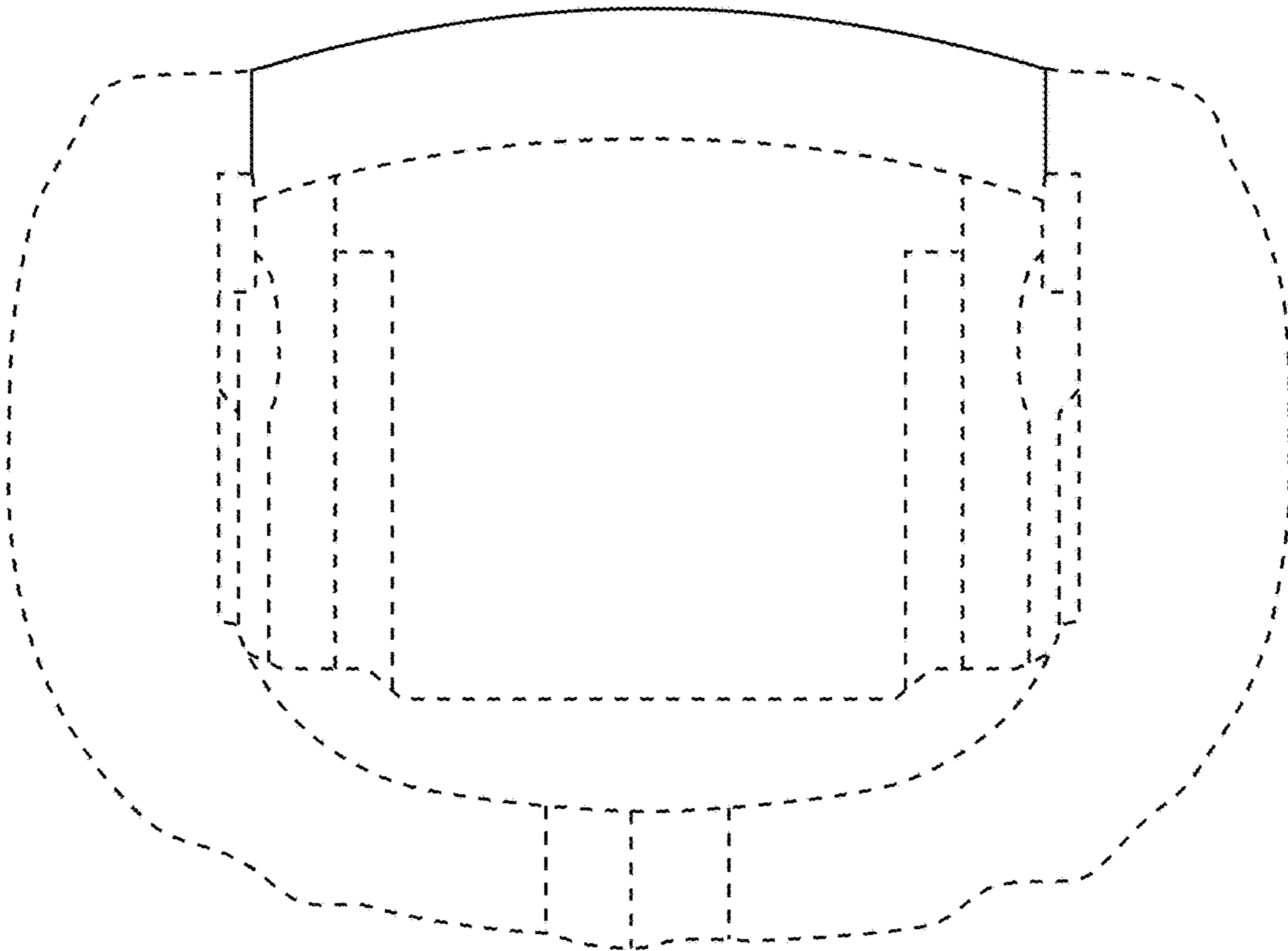


FIG. 16

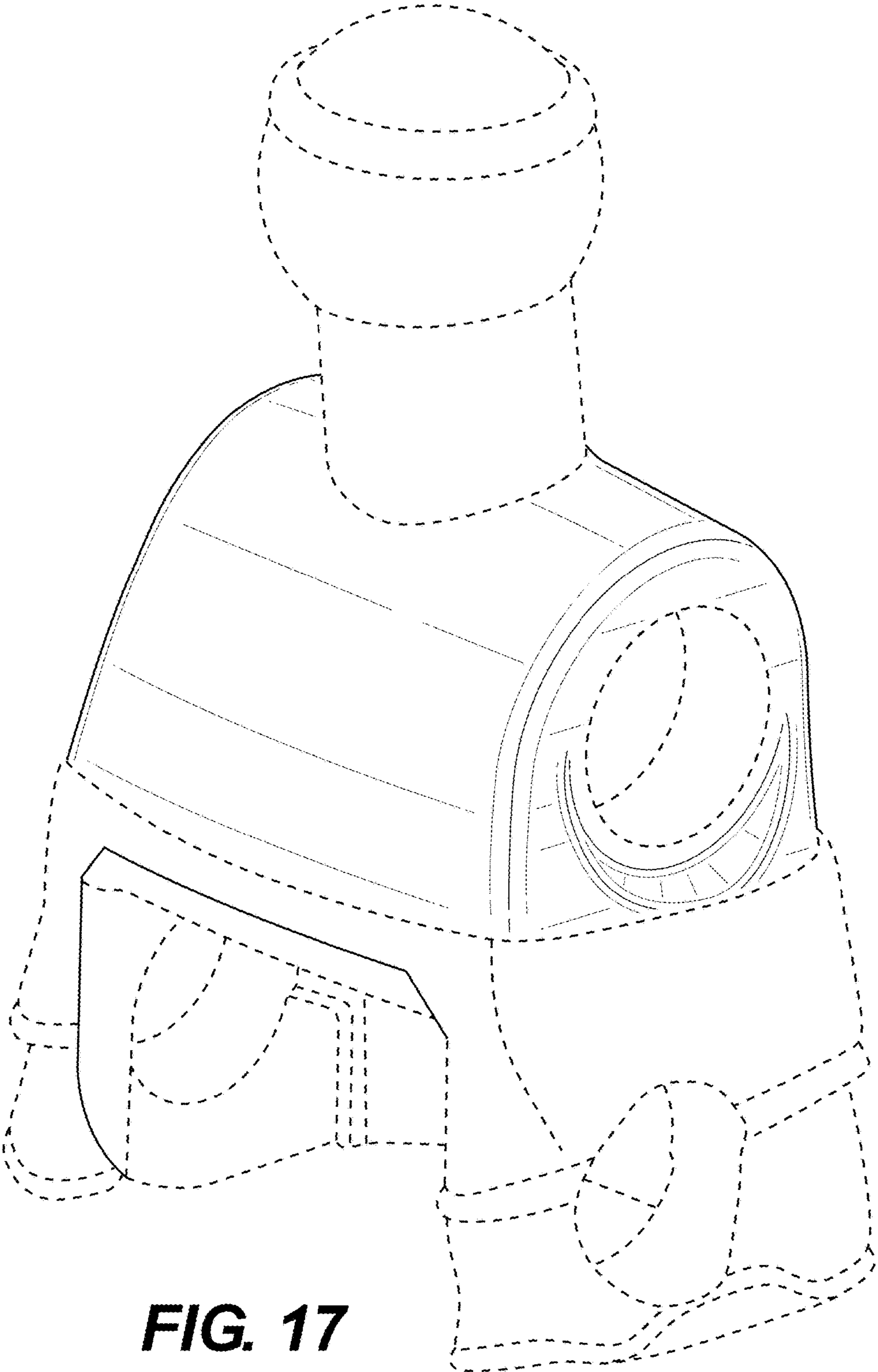


FIG. 17

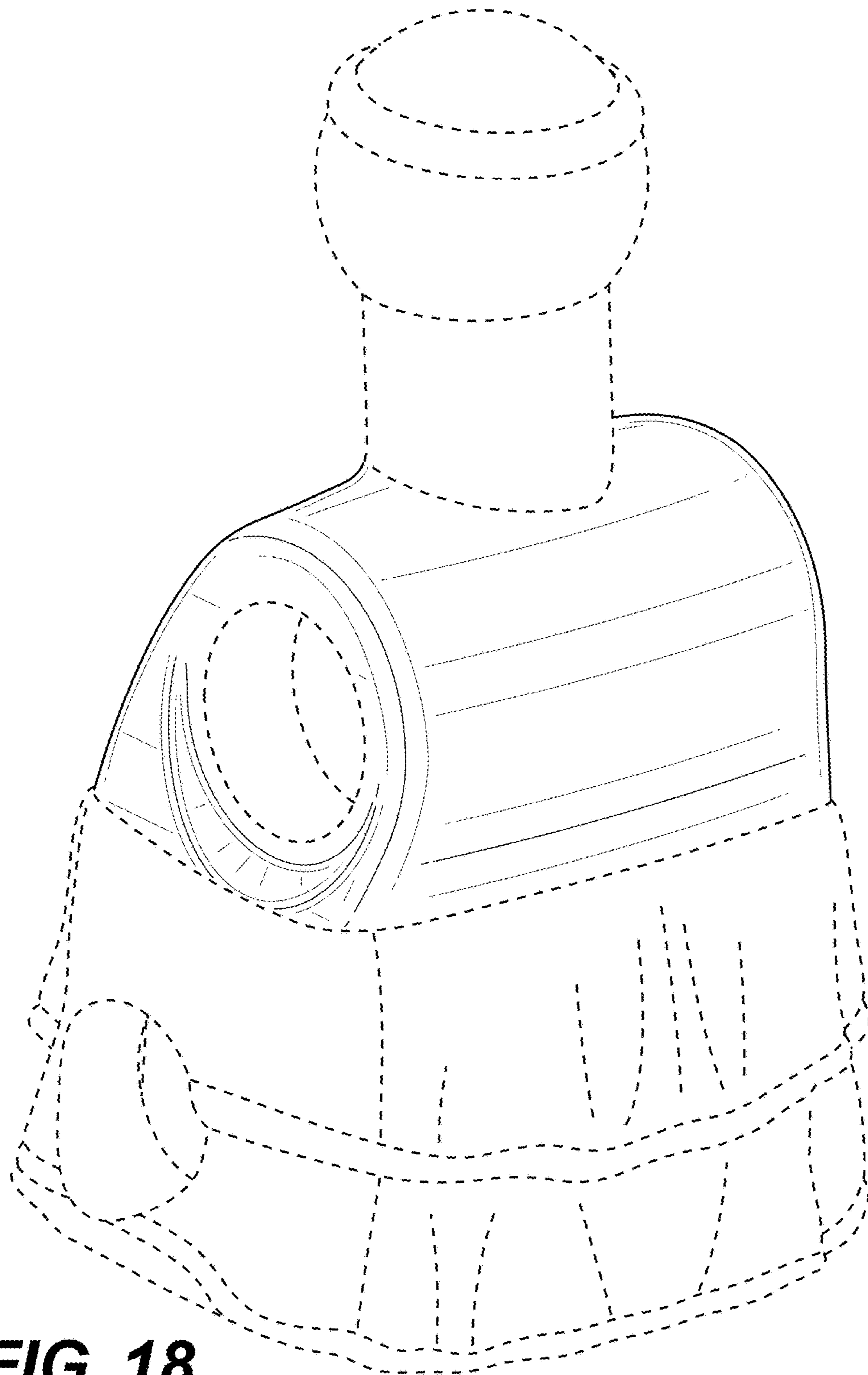


FIG. 18

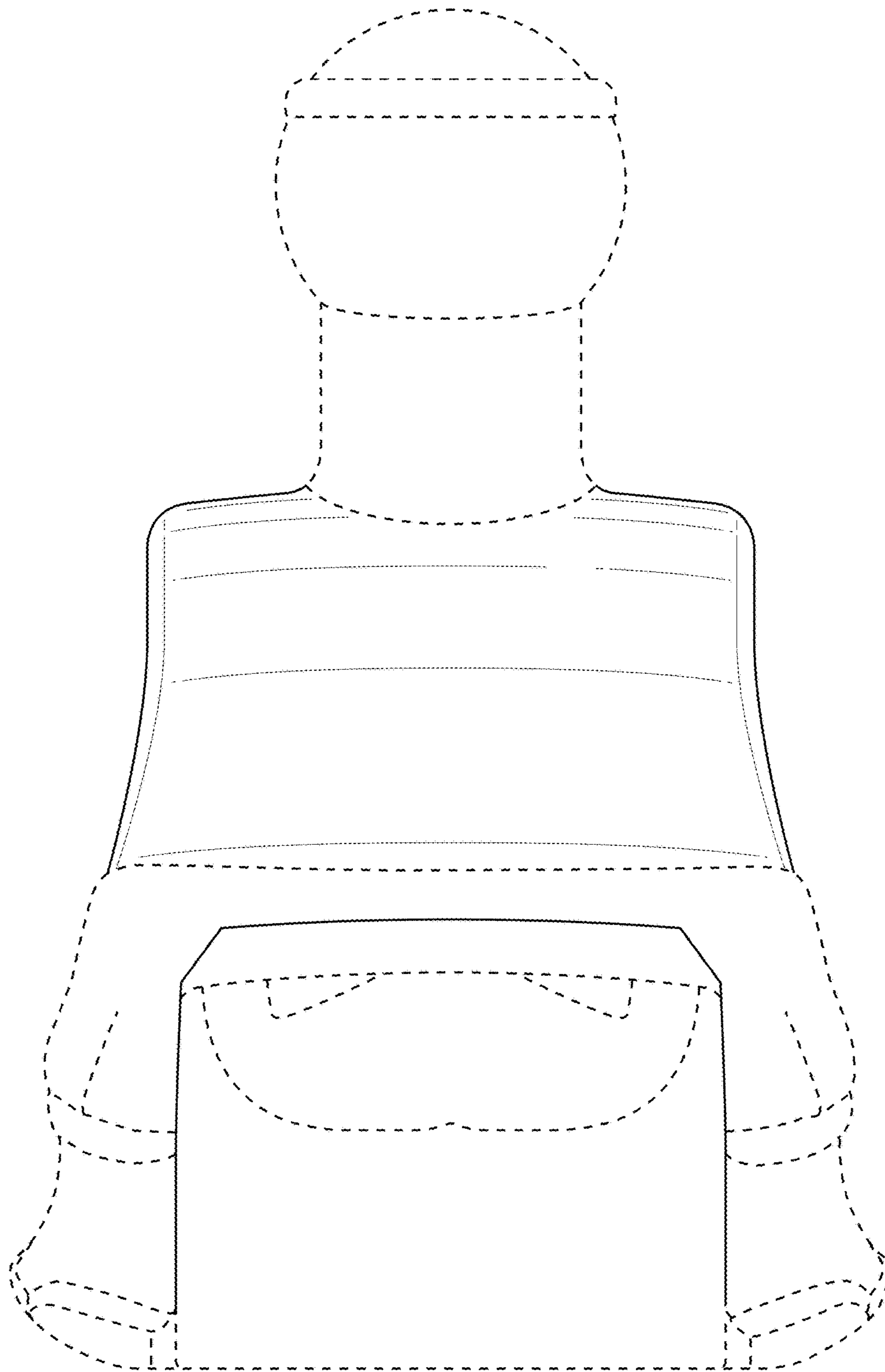


FIG. 19

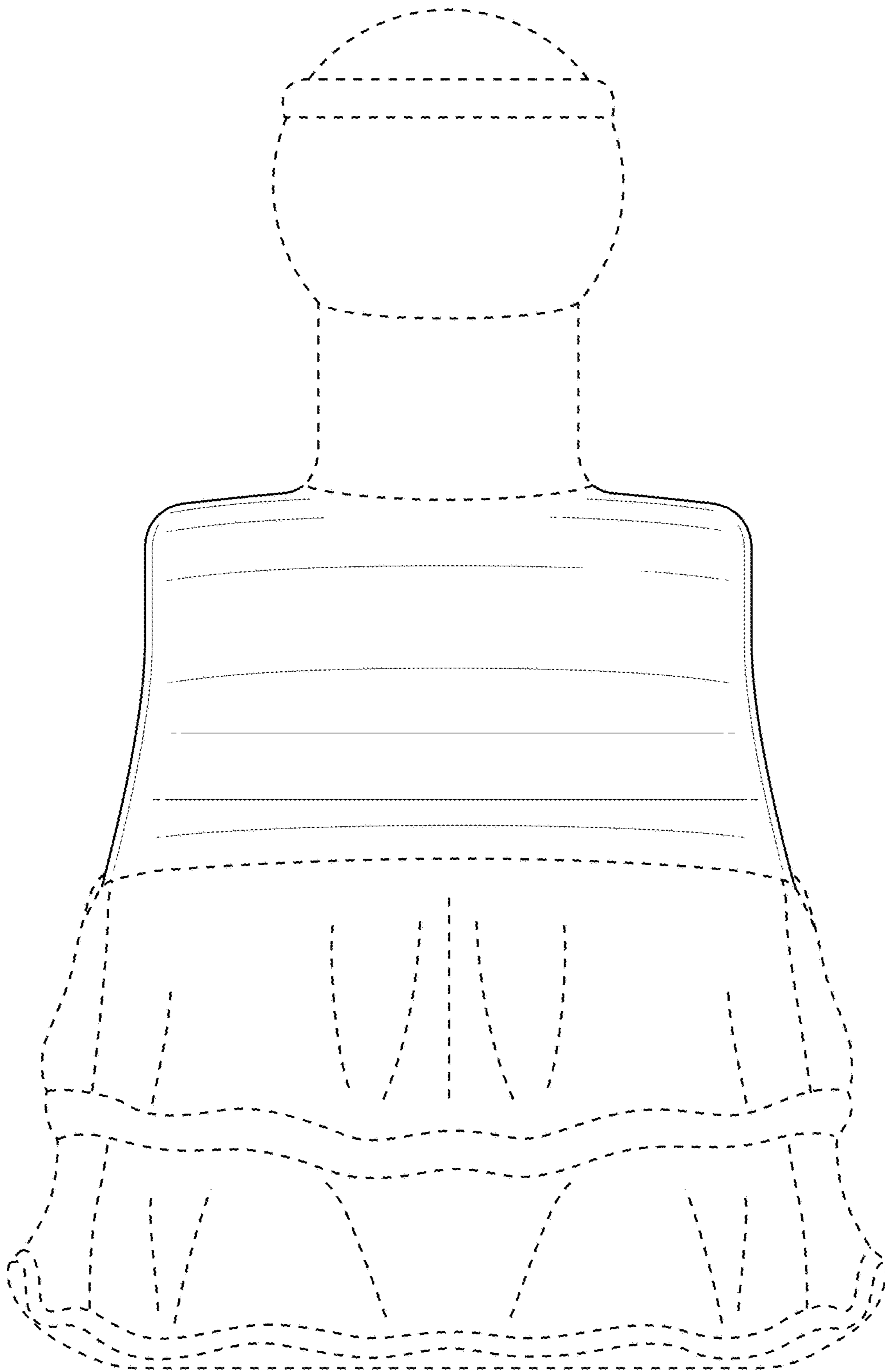


FIG. 20

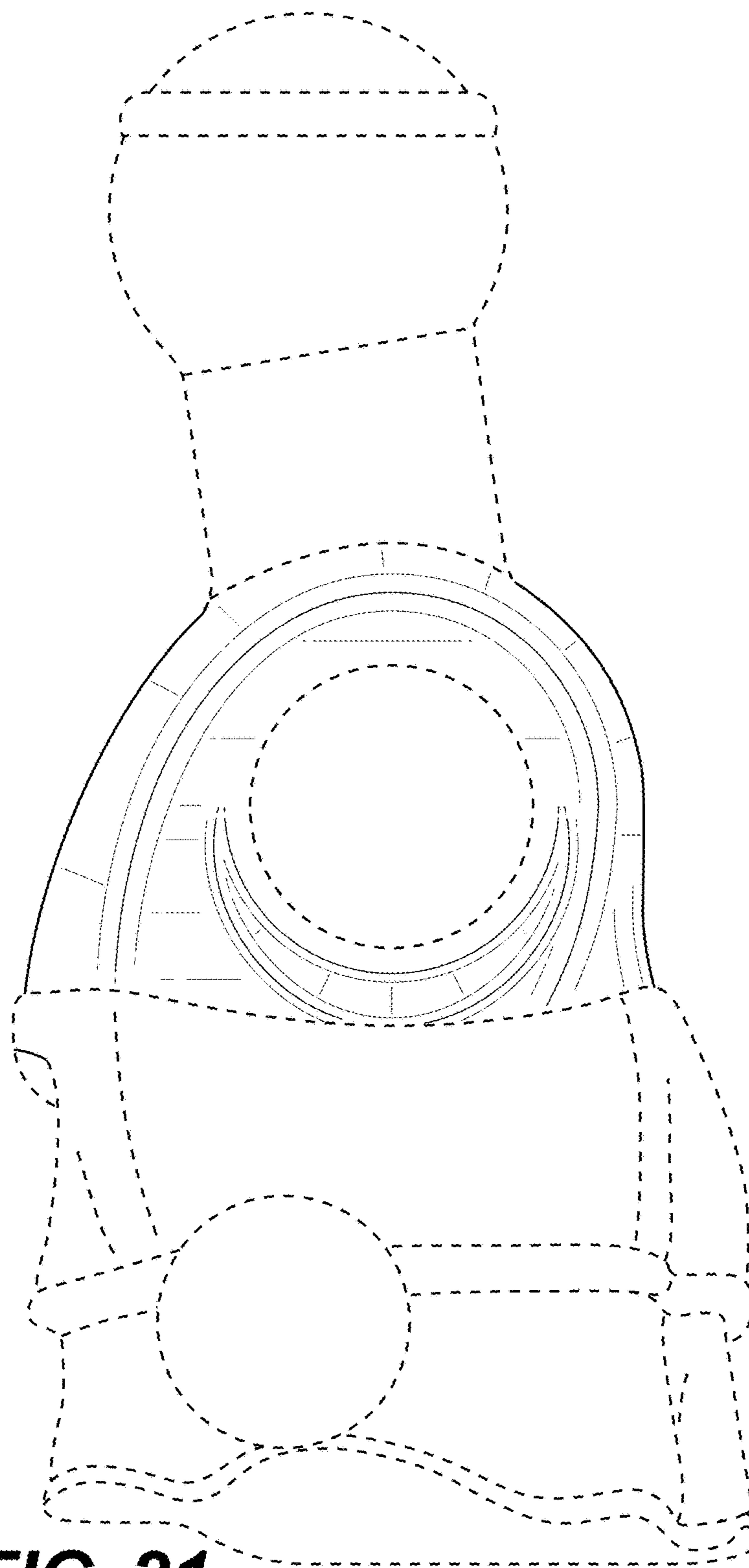


FIG. 21

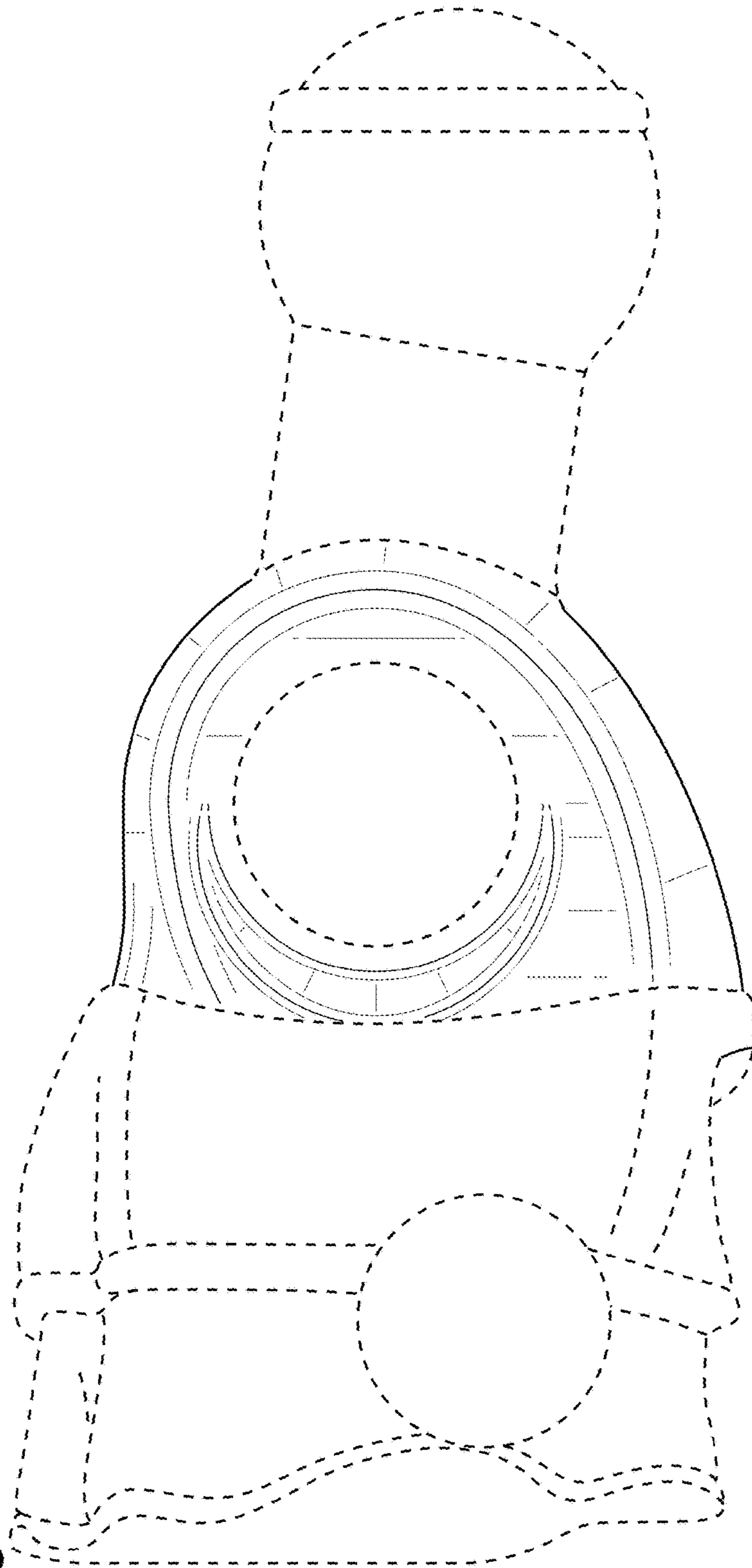


FIG. 22

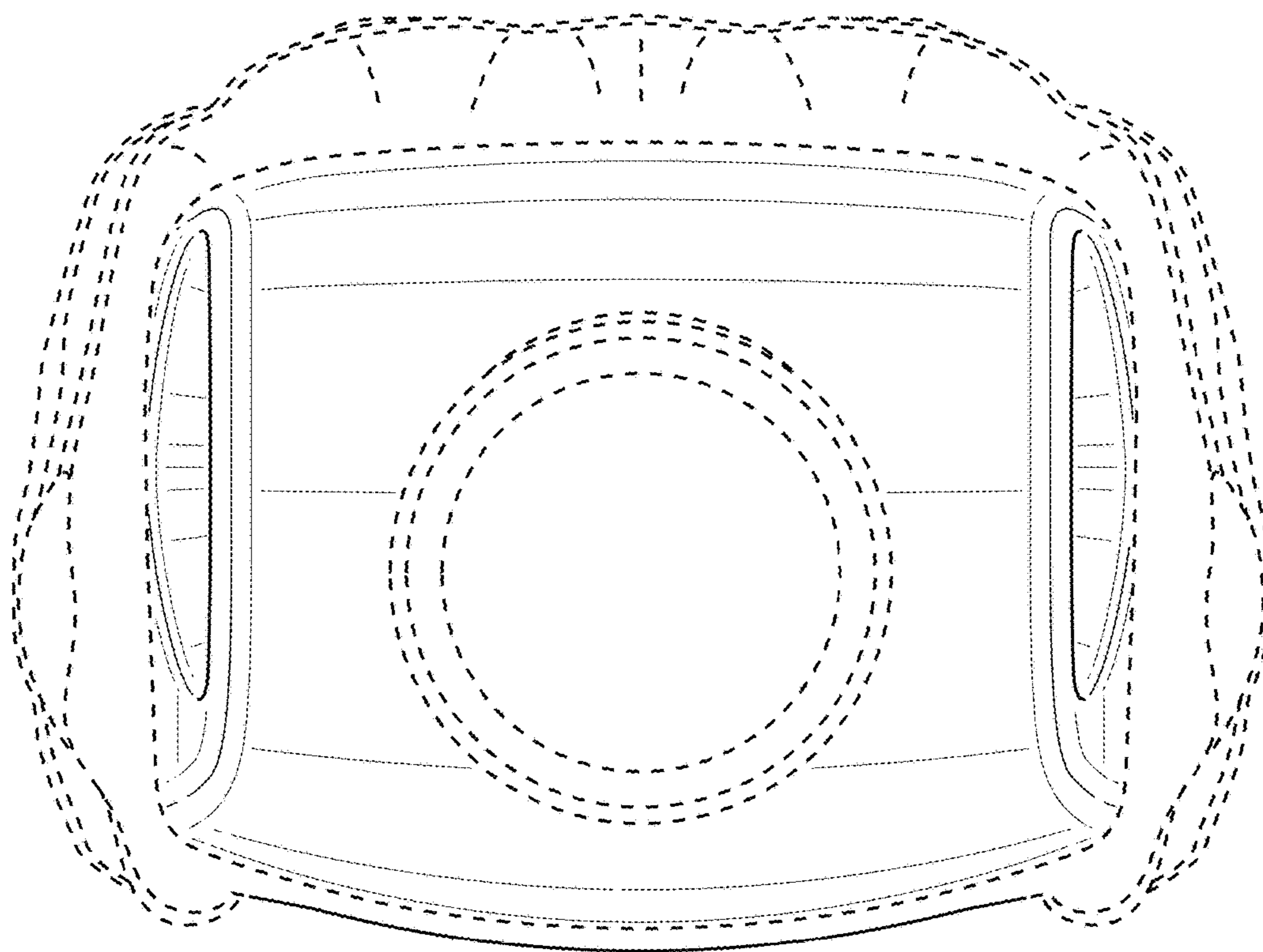


FIG. 23

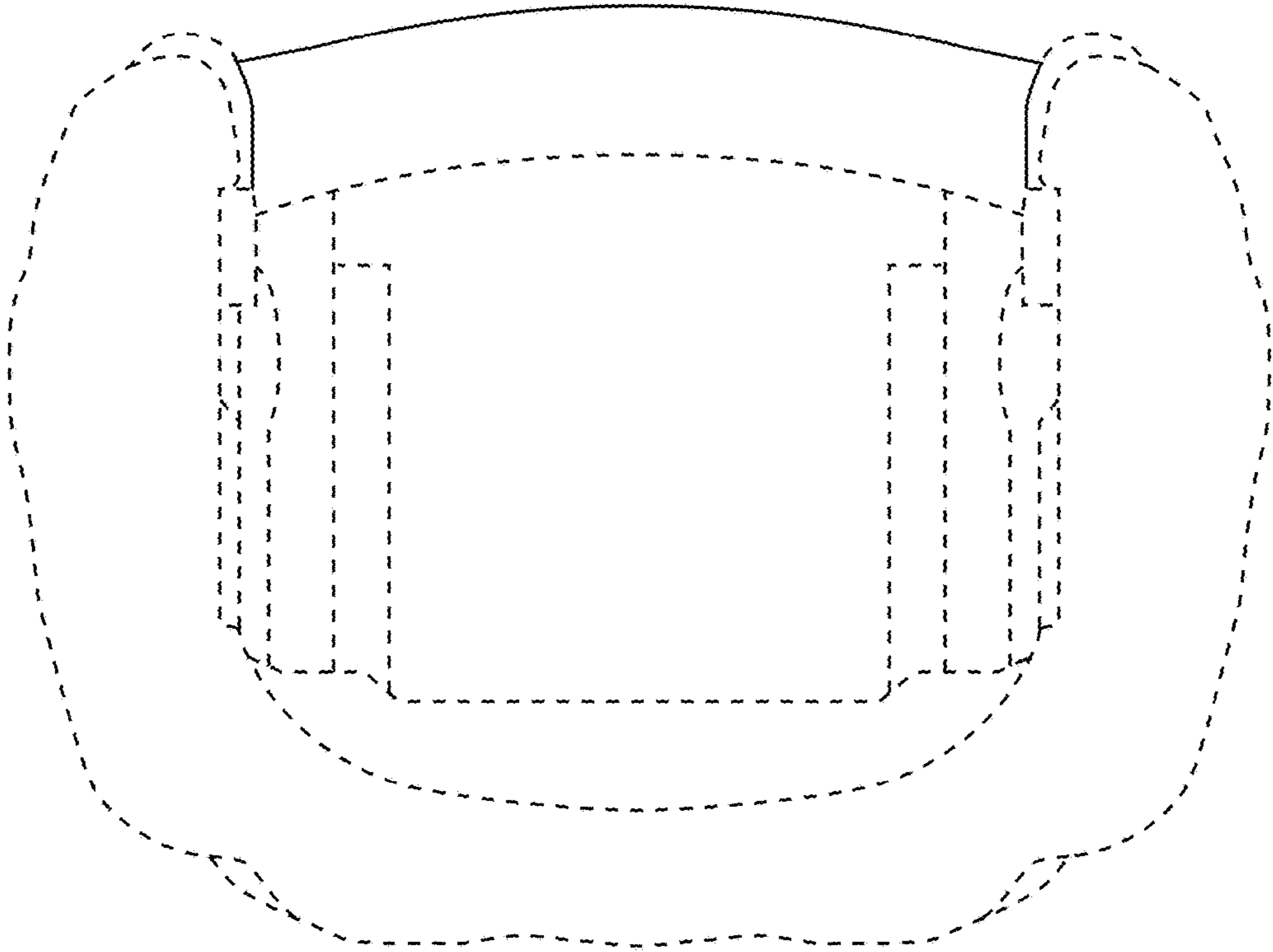


FIG. 24