



US00D842937S

(12) **United States Design Patent**
Hernandez Ortega

(10) **Patent No.:** **US D842,937 S**
(45) **Date of Patent:** **** Mar. 12, 2019**

(54) **DIDACTIC DOLL**

(71) Applicant: **Luis Antonio Hernandez Ortega**, Del. Iztapalapa (MX)

(72) Inventor: **Luis Antonio Hernandez Ortega**, Del. Iztapalapa (MX)

(73) Assignee: **Luis Antonio Hernandez Ortega**, Del. Iztapalapa (MX)

(**) Term: **15 Years**

(21) Appl. No.: **29/612,953**

(22) Filed: **Aug. 4, 2017**

(30) **Foreign Application Priority Data**

Jun. 13, 2017 (MX) F/2017/001725

(51) **LOC (11) Cl.** **21-01**

(52) **U.S. Cl.**
USPC **D21/621; D21/578**

(58) **Field of Classification Search**
USPC D21/601, 578, 621, 627, 630
CPC ... A63H 3/04; A63H 3/06; A63H 3/08; A63H 3/01
See application file for complete search history.

(56) **References Cited**

U.S. PATENT DOCUMENTS

D204,394 S * 4/1966 Wendt D21/578
D217,267 S * 4/1970 Tally D21/578

D248,881 S * 8/1978 Goldfarb D21/621
D445,468 S * 7/2001 Lipper D21/621
D550,788 S * 9/2007 Scully D21/630
7,766,716 B2 * 8/2010 Fong A63H 3/16
446/99
D636,448 S * 4/2011 Eisenstein D21/621
D658,501 S * 5/2012 Modaberi D21/578
D739,480 S * 9/2015 Hernandez Ortega D15/199
D784,850 S * 4/2017 Kawase D11/142
D802,686 S * 11/2017 Campbell D21/630
2016/0008726 A1 * 1/2016 Morris A63H 33/106
446/314

* cited by examiner

Primary Examiner — Garth Rademaker

Assistant Examiner — Melvin L Davis

(74) *Attorney, Agent, or Firm* — Jason P. Mueller; Adams and Reese LLP

(57) **CLAIM**

The ornamental design for a didactic doll, as shown and described.

DESCRIPTION

FIG. 1 is a perspective view of a didactic doll, showing our new design;

FIG. 2 is a front view thereof;

FIG. 3 is a rear view thereof;

FIG. 4 is a right side view thereof;

FIG. 5 is a left side view thereof;

FIG. 6 is a top view thereof; and,

FIG. 7 is a bottom view thereof.

1 Claim, 2 Drawing Sheets

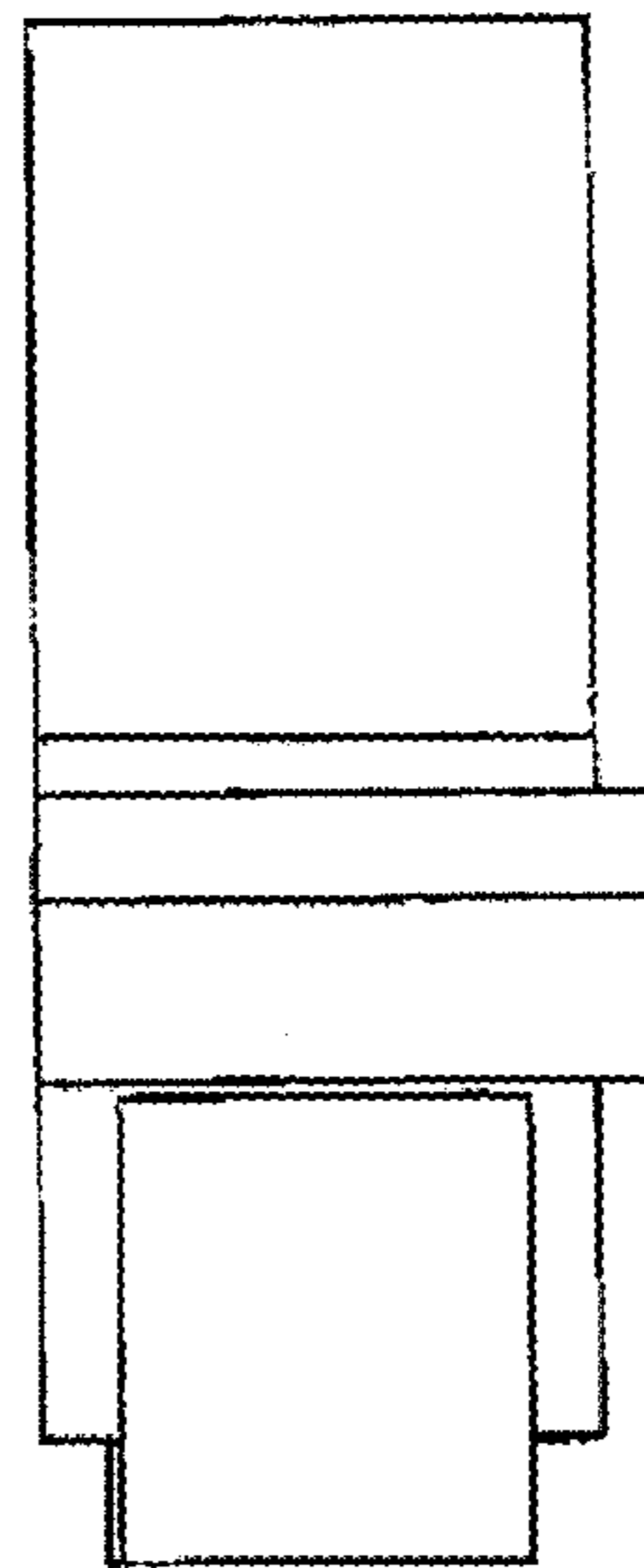
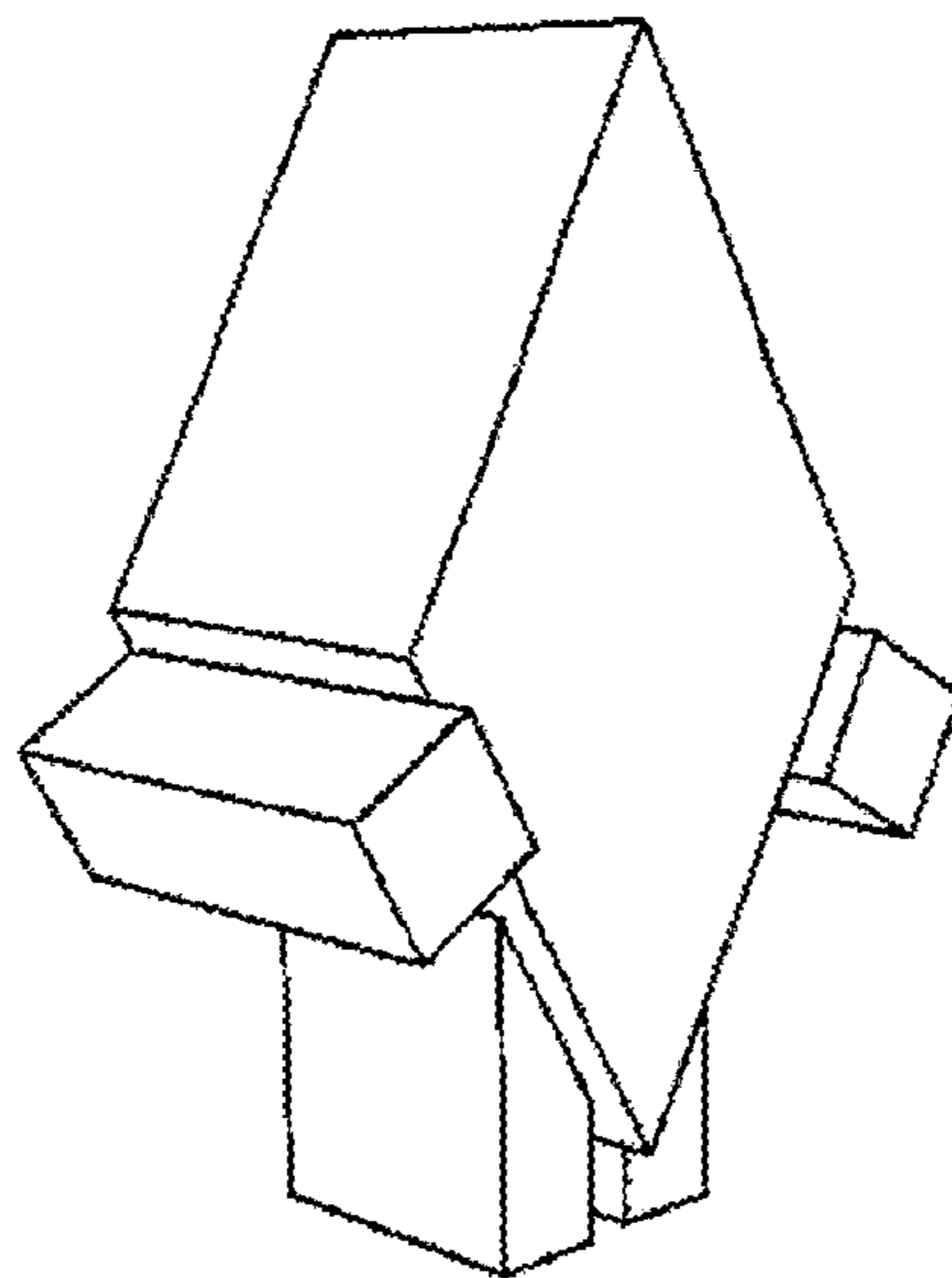


Fig - 1

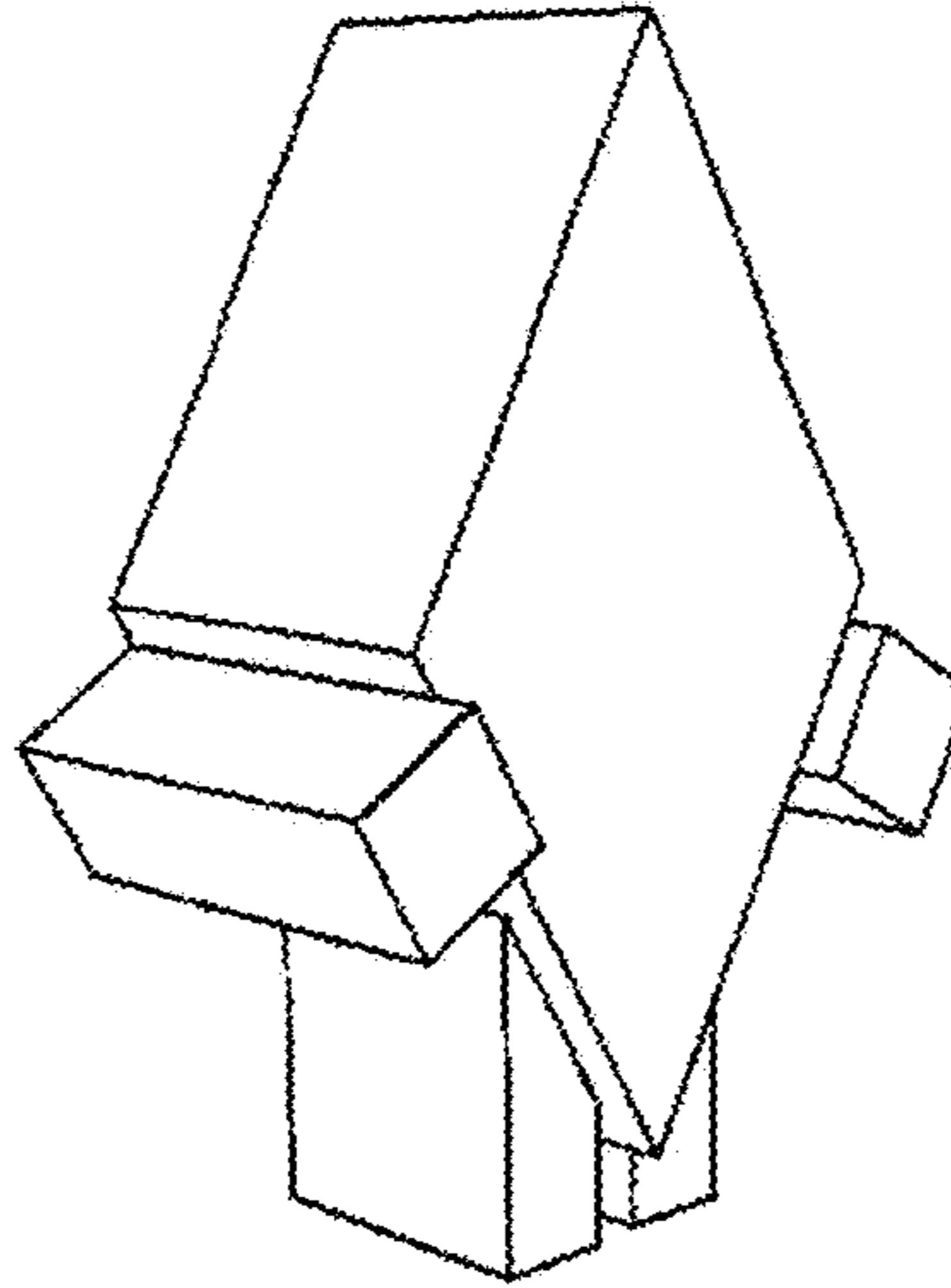


Fig - 2

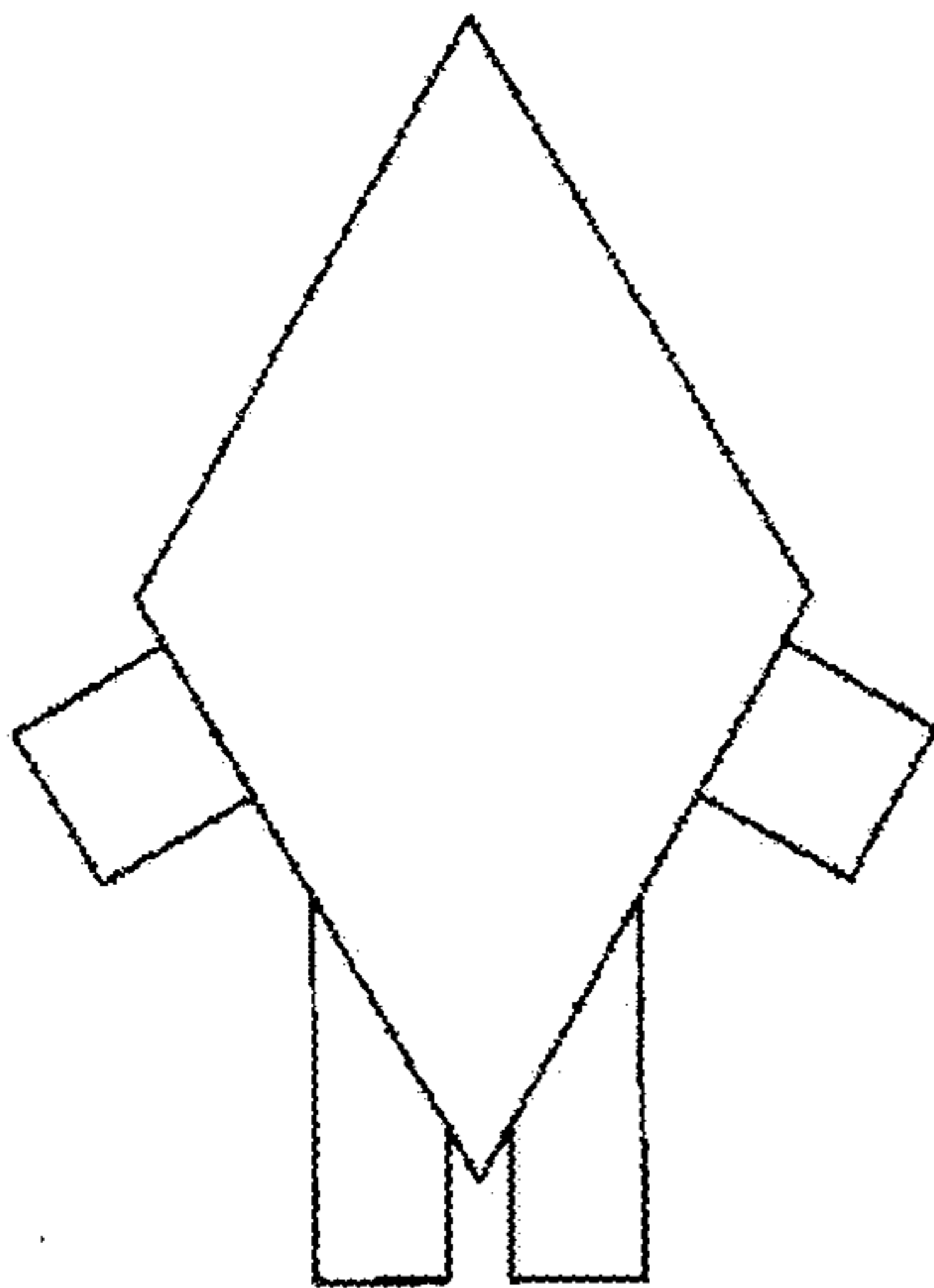


Fig - 3

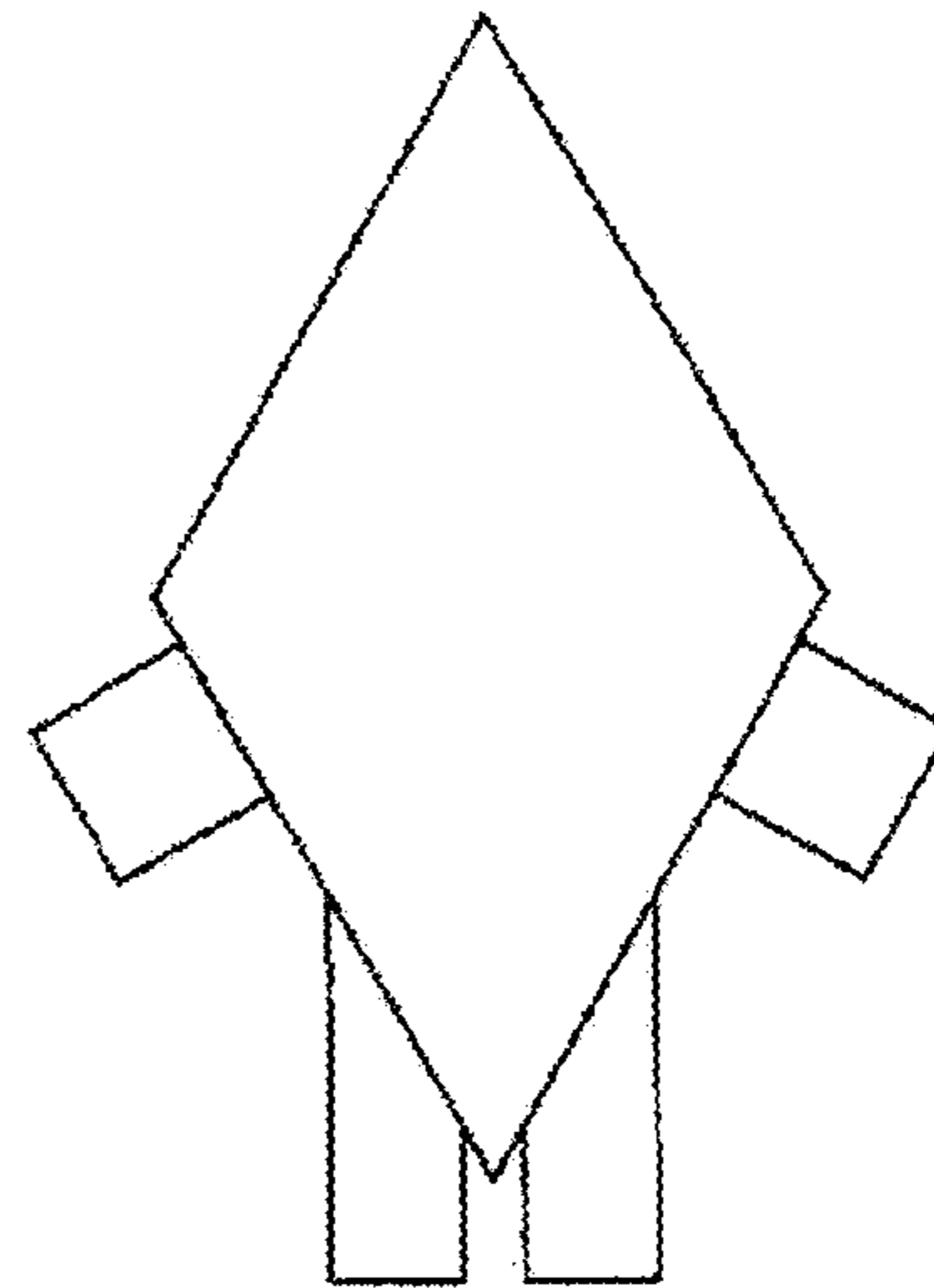


Fig - 4

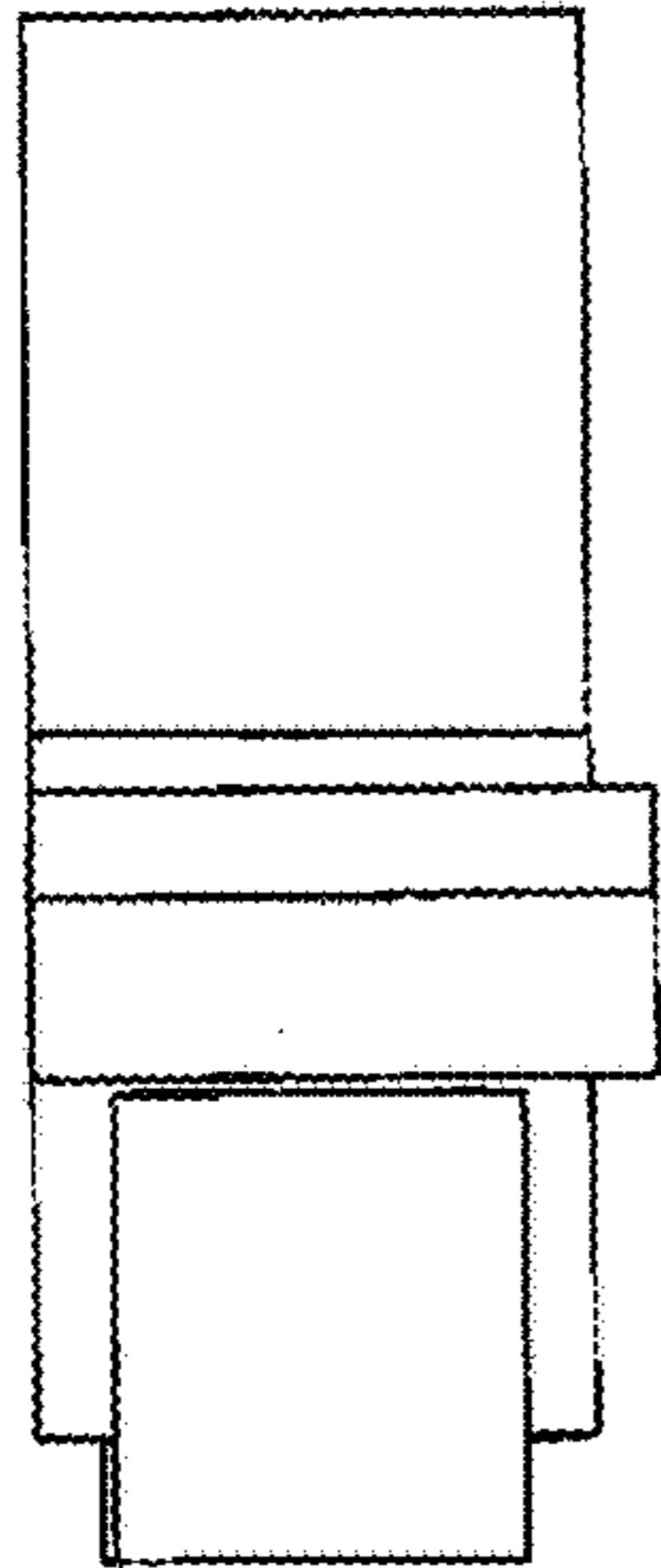


Fig - 5

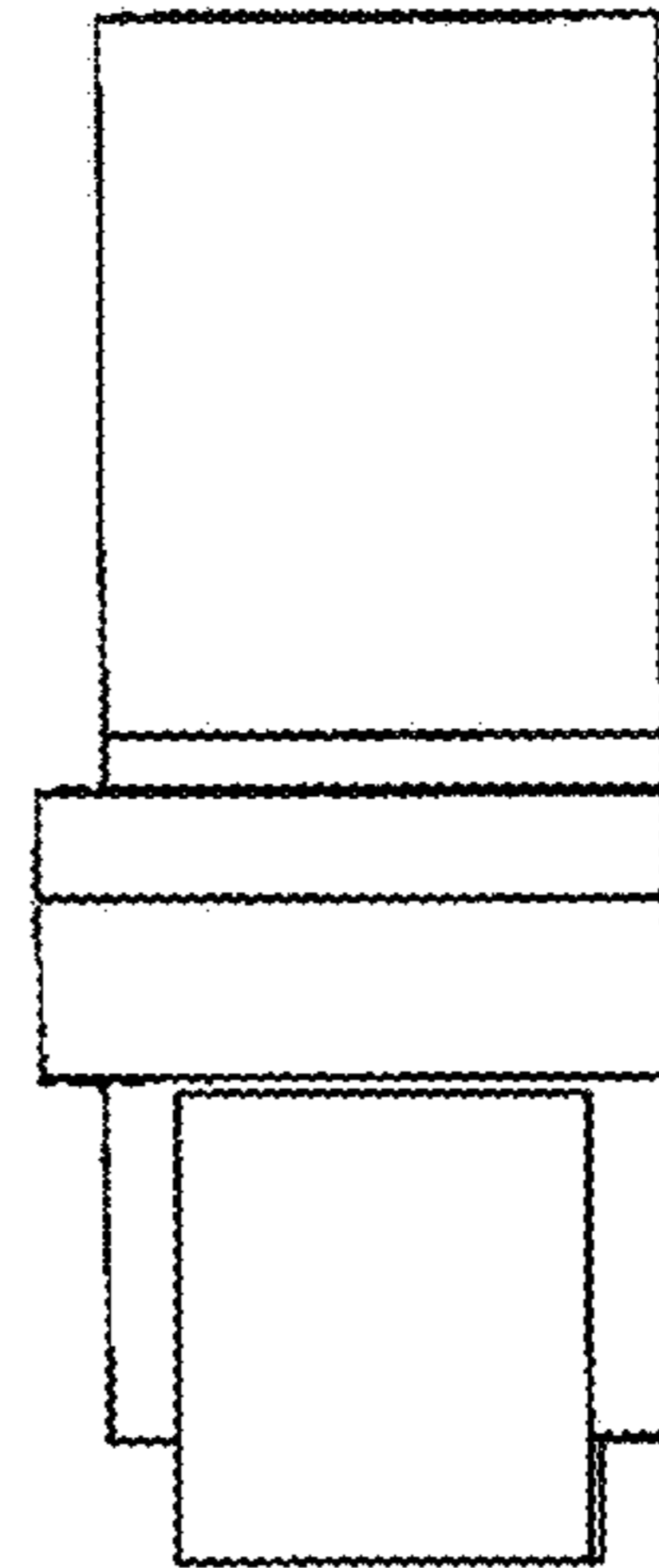


Fig - 6

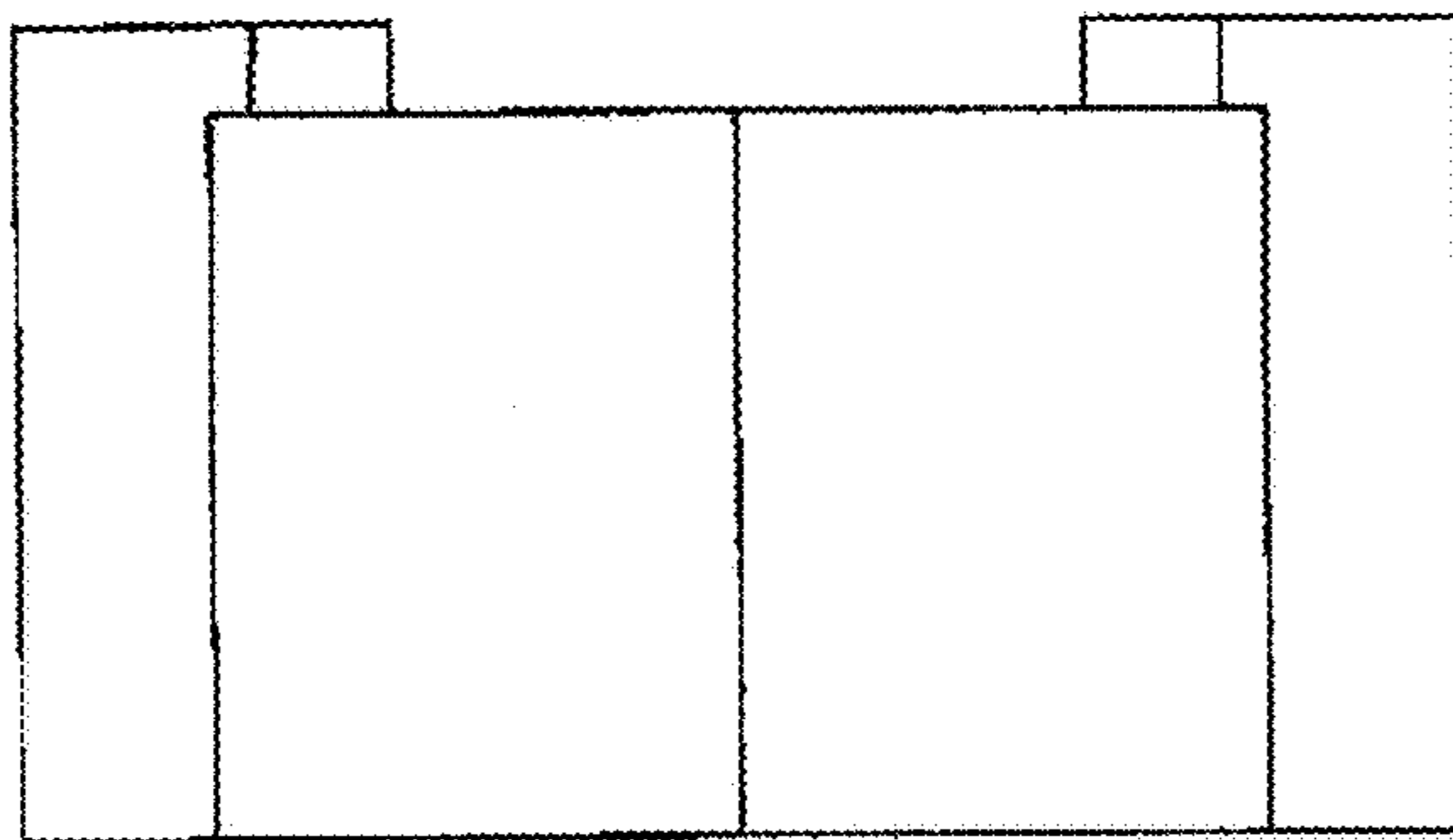


Fig - 7

