



US00D842936S

(12) **United States Design Patent**  
**Shindo**

(10) **Patent No.:** **US D842,936 S**  
(45) **Date of Patent:** **\*\* Mar. 12, 2019**

(54) **LAUNCH APPARATUS FOR SPINNING TOP TOY**

(71) Applicant: **TOMY COMPANY, LTD.**, Tokyo (JP)

(72) Inventor: **Yukihiko Shindo**, Tokyo (JP)

(73) Assignee: **TOMY COMPANY, LTD.**, Tokyo (JP)

(\*\*) Term: **15 Years**

(21) Appl. No.: **29/620,122**

(22) Filed: **Jul. 11, 2016**

(30) **Foreign Application Priority Data**

Feb. 5, 2016 (JP) ..... 2016-002451

(51) **LOC (11) Cl.** ..... **21-01**

(52) **U.S. Cl.**  
USPC ..... **D21/461**

(58) **Field of Classification Search**  
USPC ..... D21/454, 455, 460-464; 446/38-45,  
446/236-266, 429, 430, 489  
CPC ... A63H 1/00-1/06; A63H 1/12; A63H 29/24;  
A63H 29/20; A63H 27/14; A63F 9/16  
See application file for complete search history.

(56) **References Cited**

**U.S. PATENT DOCUMENTS**

- 615,930 A \* 12/1898 Warren ..... A63H 1/02  
446/260
- D167,482 S \* 8/1952 Rosini ..... D21/411
- 5,052,973 A \* 10/1991 Rudell ..... A63H 17/008  
124/17
- D353,633 S \* 12/1994 Nonaka ..... D21/461
- D353,848 S \* 12/1994 Nonaka ..... D21/461
- D610,210 S \* 2/2010 Nishimoto ..... D21/461
- D610,211 S \* 2/2010 Nishimoto ..... D21/461
- D639,349 S \* 6/2011 Horikoshi ..... D21/461

- 9,435,820 B1 \* 9/2016 Muraki ..... G01P 3/486
- D790,635 S \* 6/2017 Horikoshi ..... D21/461
- D790,636 S \* 6/2017 Horikoshi ..... D21/461
- 9,849,394 B1 \* 12/2017 Shindo ..... A63F 9/16

(Continued)

**FOREIGN PATENT DOCUMENTS**

- CN 3671626 \* 7/2007
- CN 301457974 \* 2/2011
- CN 301883427 \* 4/2012

(Continued)

*Primary Examiner* — Catherine A Tuttle

(74) *Attorney, Agent, or Firm* — Staas & Halsey LLP

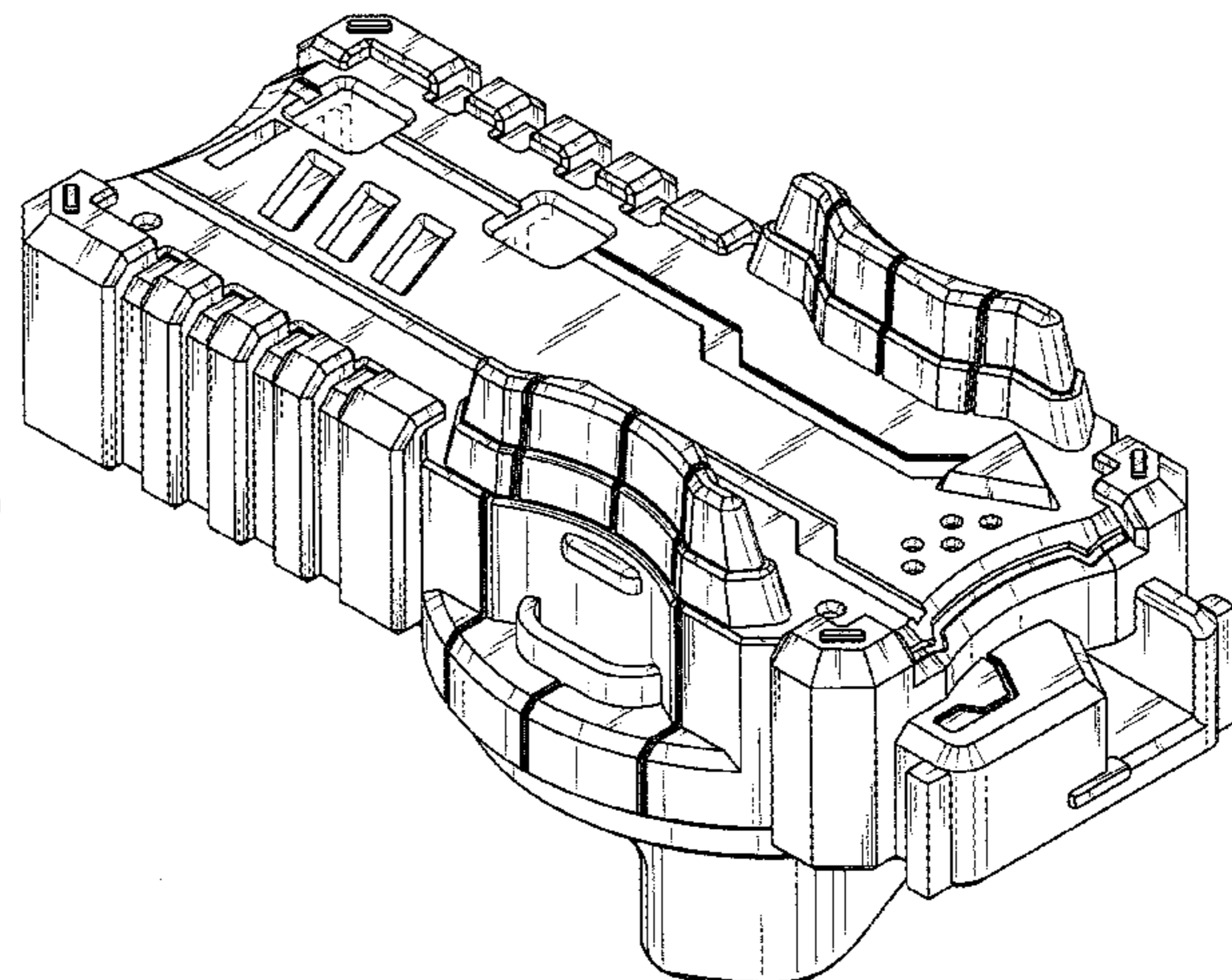
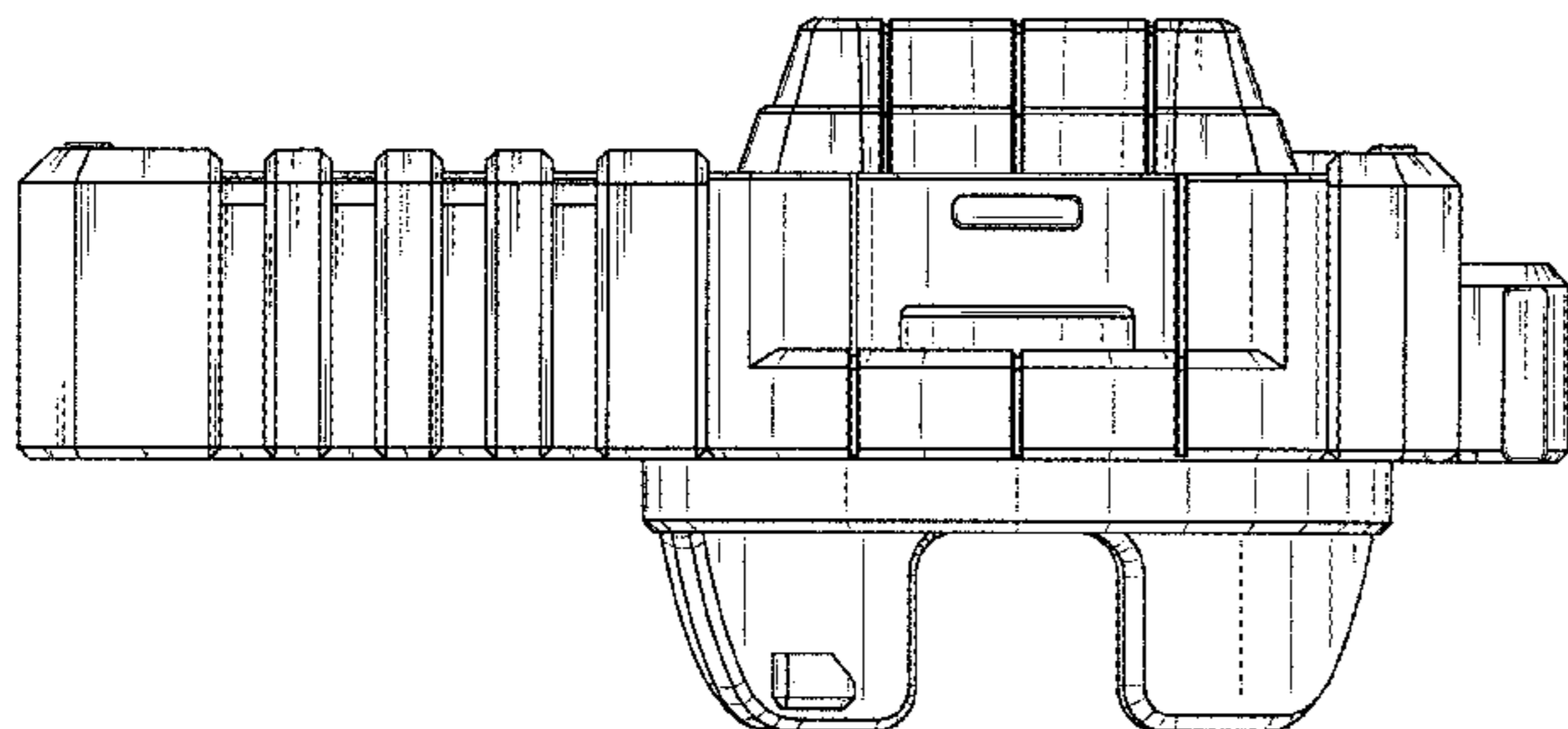
(57) **CLAIM**

The ornamental design for a launch apparatus for spinning top toy, as shown and described.

**DESCRIPTION**

FIG. 1 is a front view of the launch apparatus for spinning top toy showing our design;  
 FIG. 2 is a left side view thereof;  
 FIG. 3 is a right side view thereof;  
 FIG. 4 is rear view thereof;  
 FIG. 5 is a top view thereof;  
 FIG. 6 is a bottom view thereof;  
 FIG. 7 is a front, top and right side perspective view thereof;  
 FIG. 8 is a bottom, perspective view thereof; and,  
 FIG. 9 is a top view showing two of the launch apparatus for spinning top toy according to the invention connected together for receiving a winder in use.  
 The broken lines shown in the drawings form no part of the claimed design, including particularly the broken lines shown in FIG. 9 which are for the purpose of illustrating the winder and a second launch apparatus.

**1 Claim, 9 Drawing Sheets**



(56)

**References Cited**

U.S. PATENT DOCUMENTS

2003/0064660 A1\* 4/2003 Matsukawa ..... A63F 3/00895  
446/256  
2017/0173477 A1\* 6/2017 Shindo ..... A63H 1/04

FOREIGN PATENT DOCUMENTS

CN 302606941 \* 10/2013  
CN 303648727 \* 4/2016  
CN 303817131 \* 8/2016  
CN 303950983 \* 11/2016  
JP 3160157 U \* 6/2010 ..... A63H 1/04  
JP 3160658 U \* 7/2010 ..... A63H 1/04  
JP 3164823 U \* 12/2010 ..... A63H 1/12

\* cited by examiner

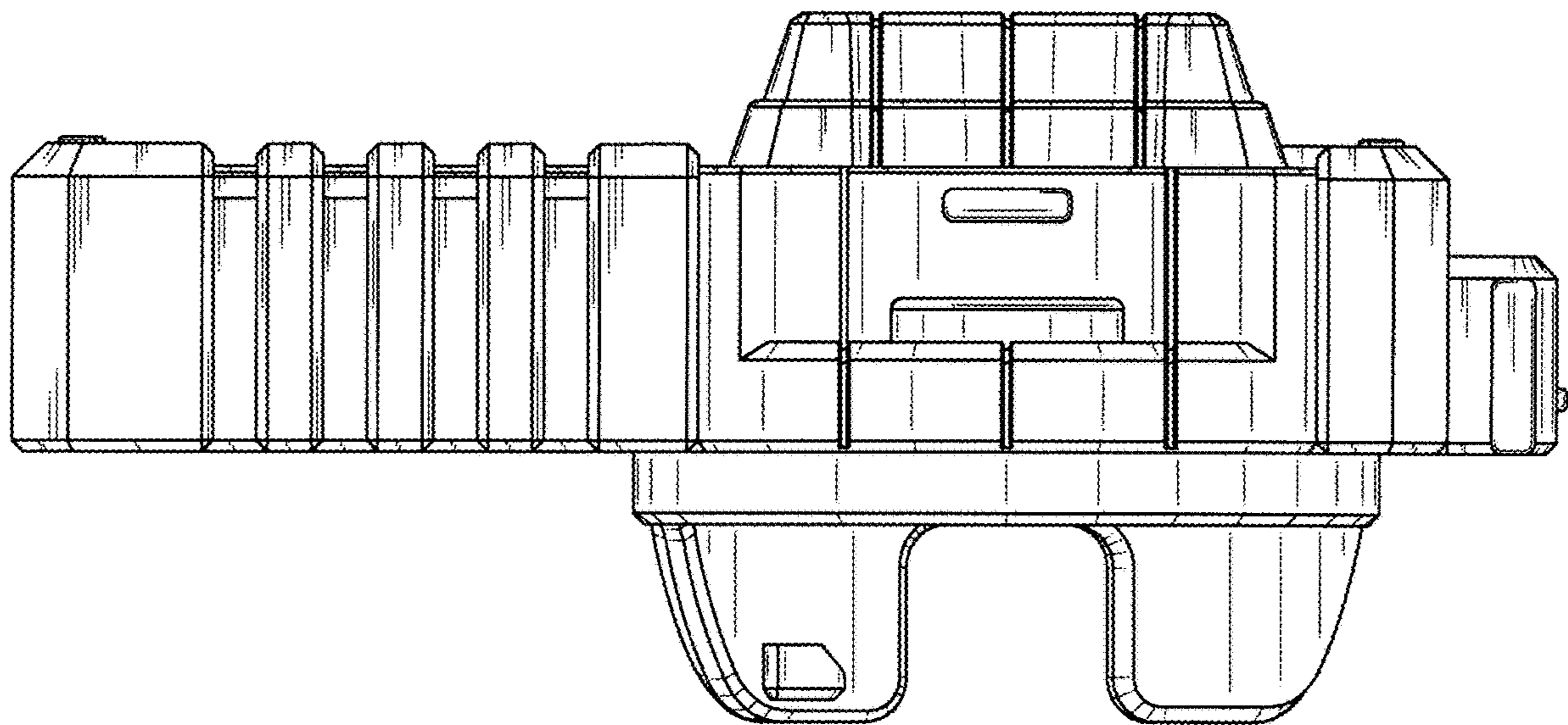


FIG. 1

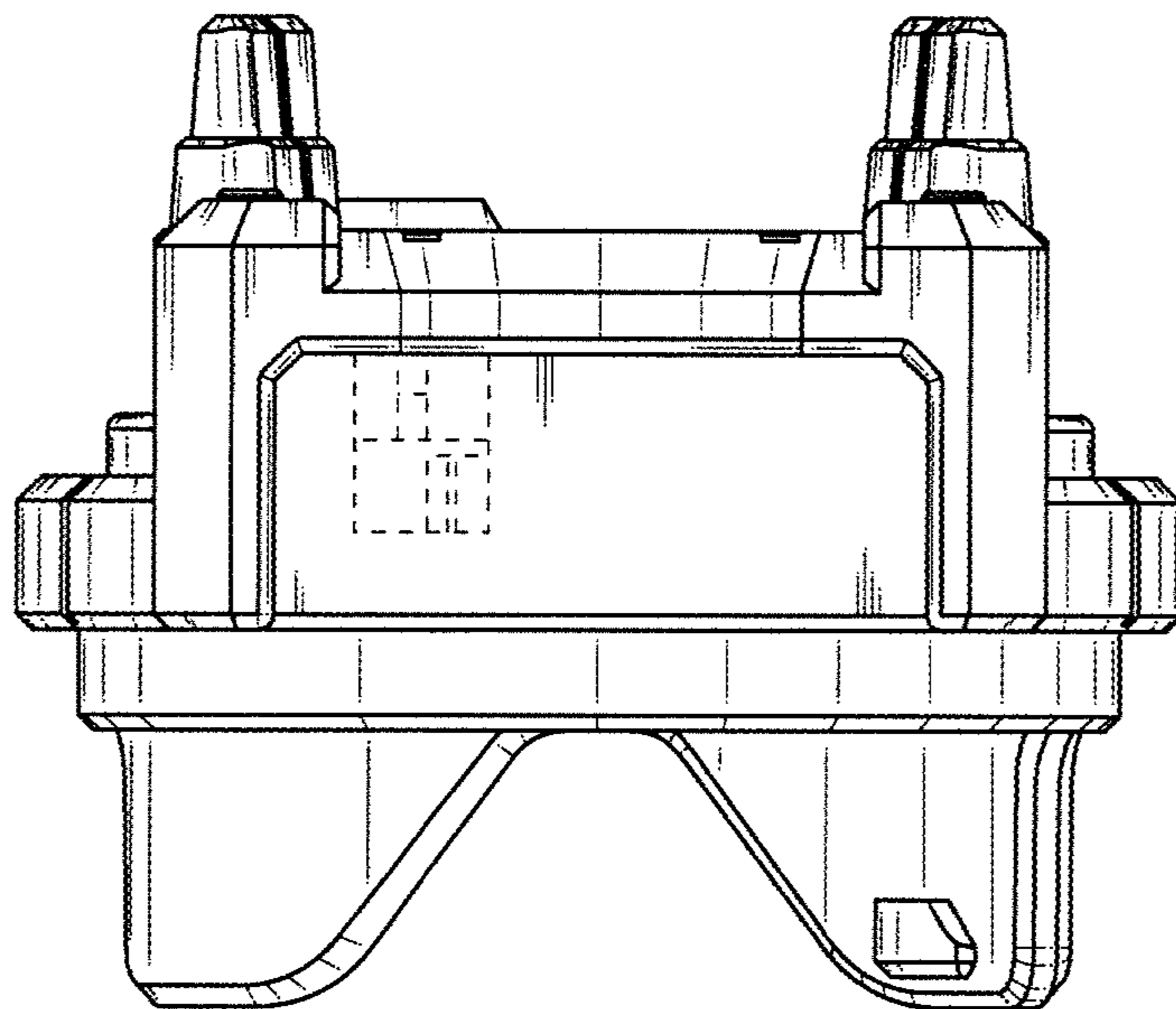


FIG. 2

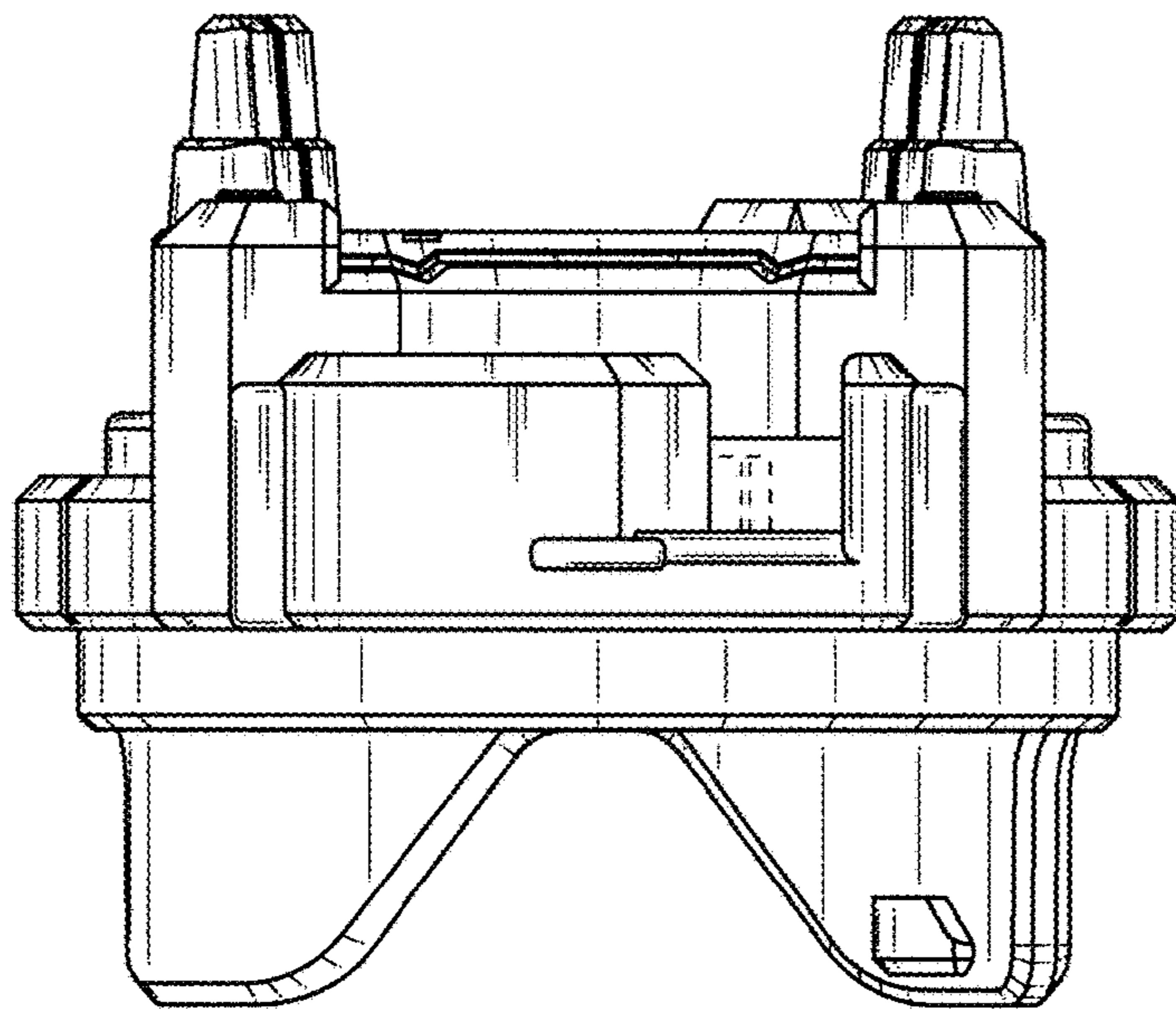


FIG. 3

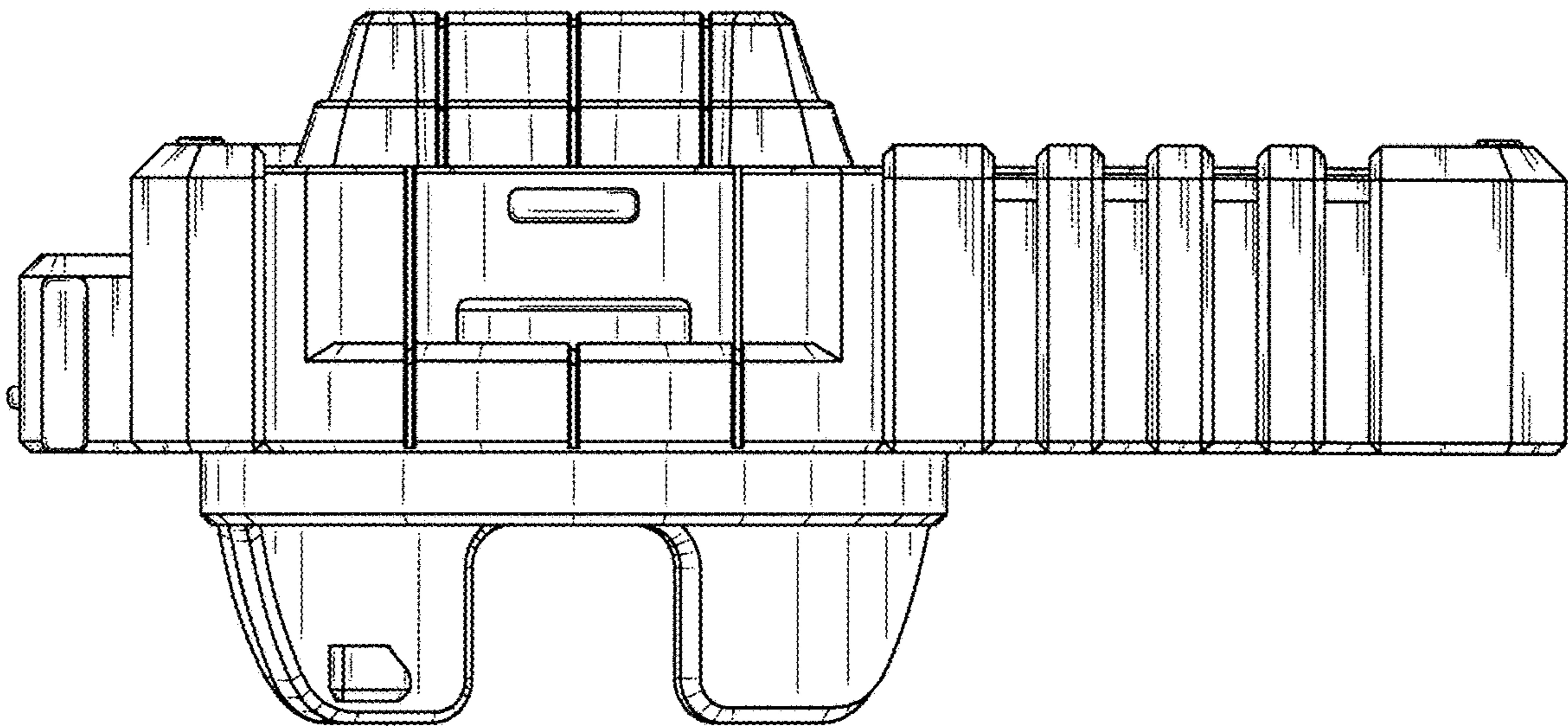


FIG. 4

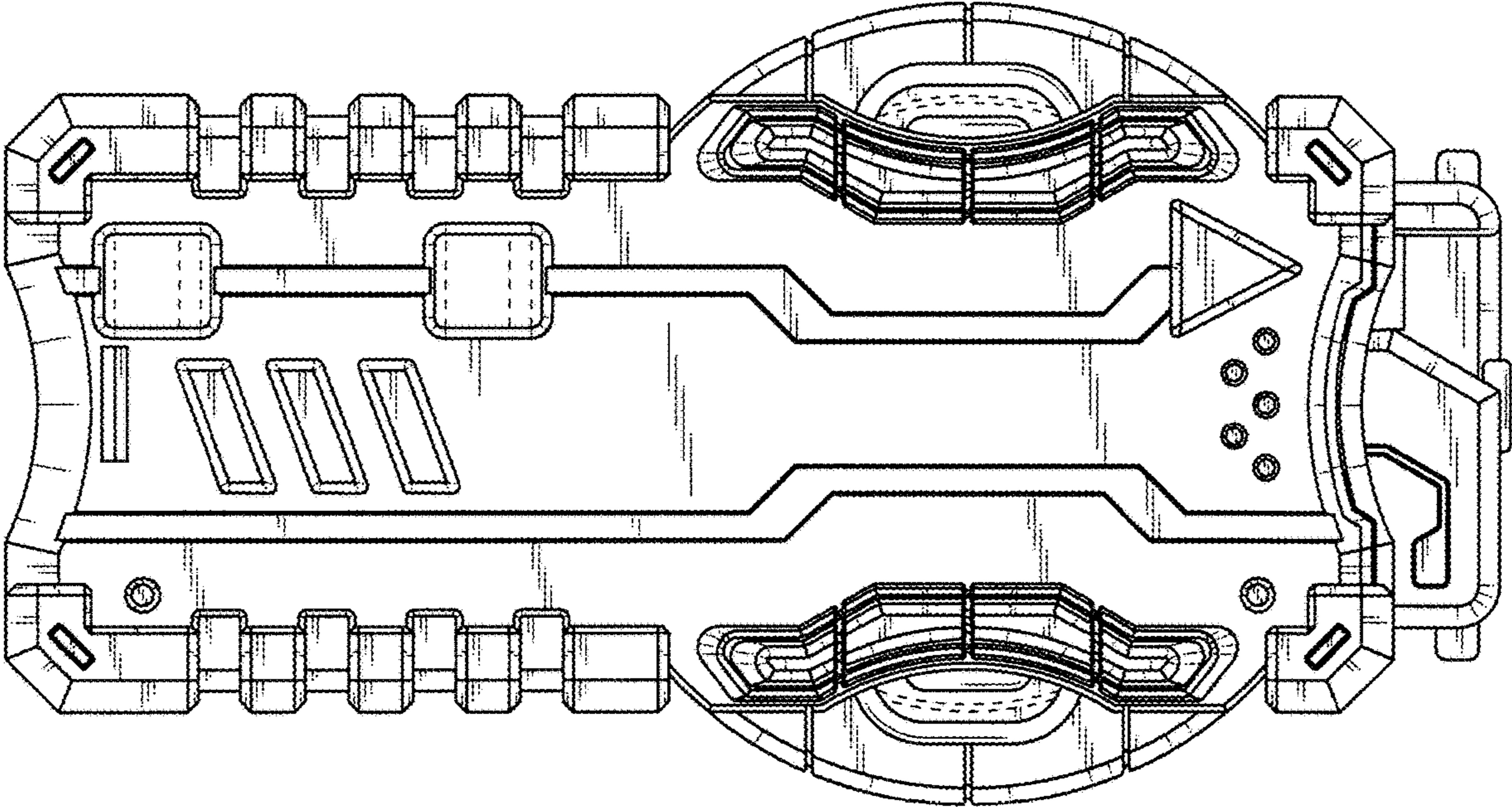


FIG. 5

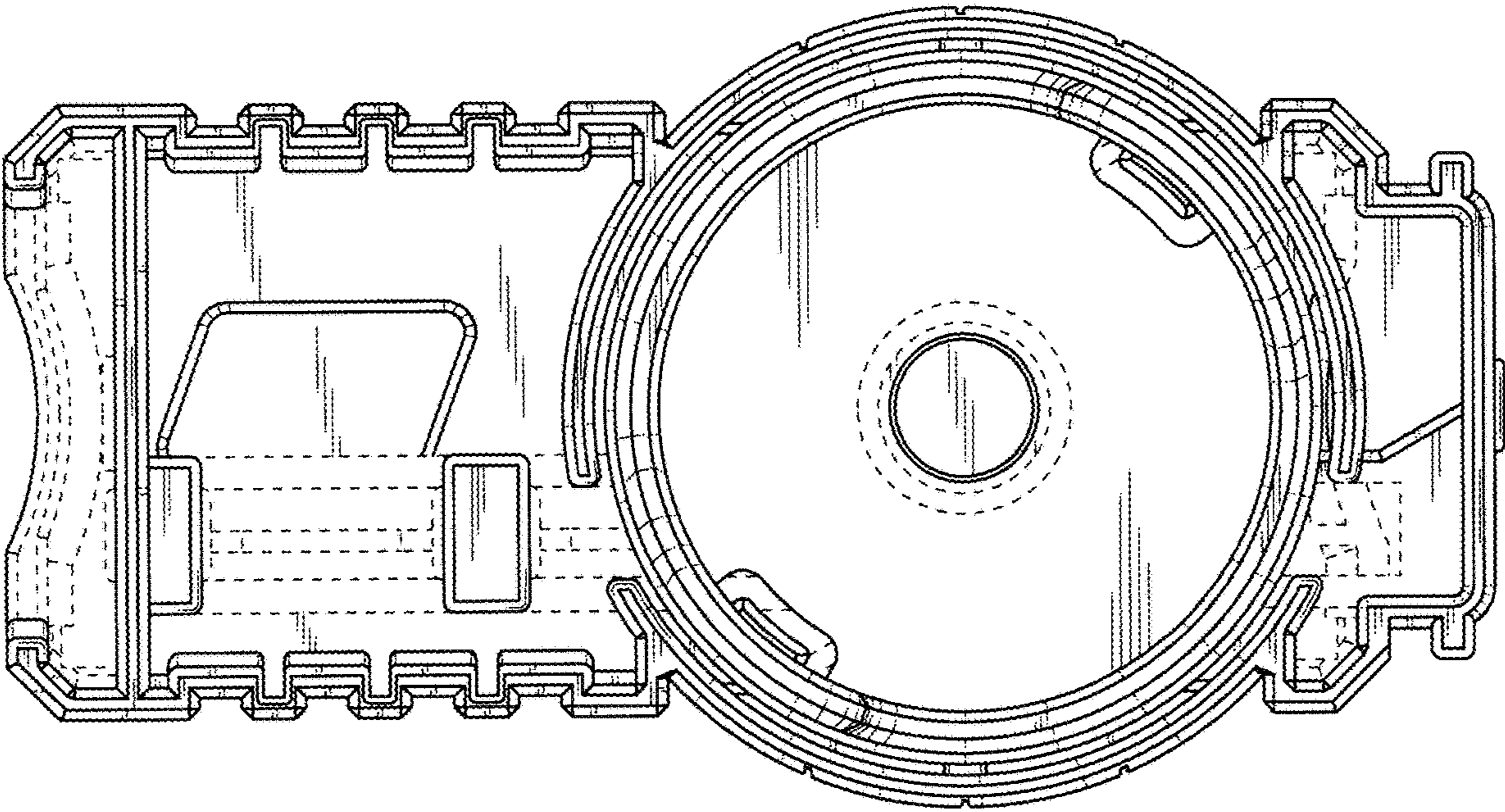


FIG. 6



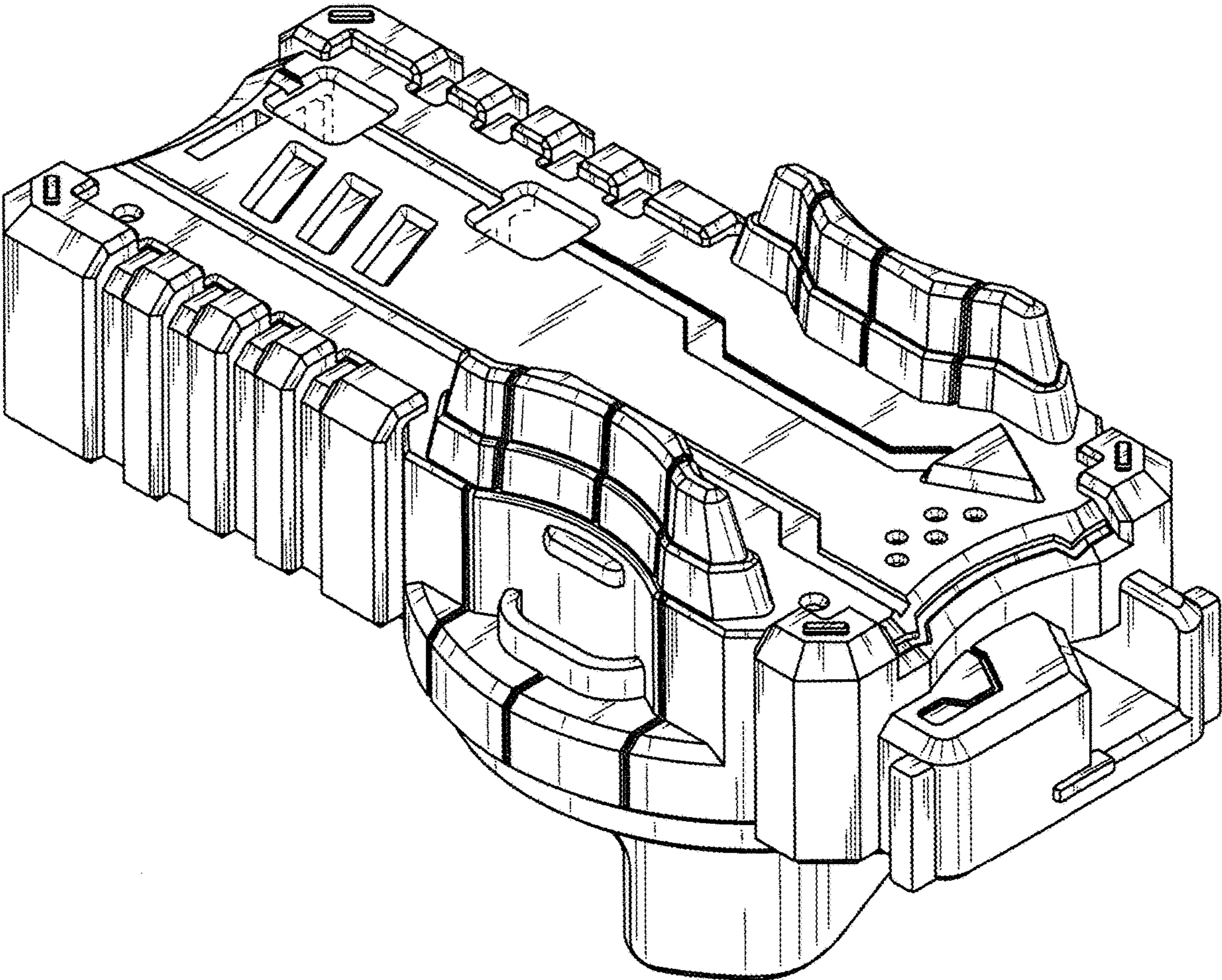


FIG. 7

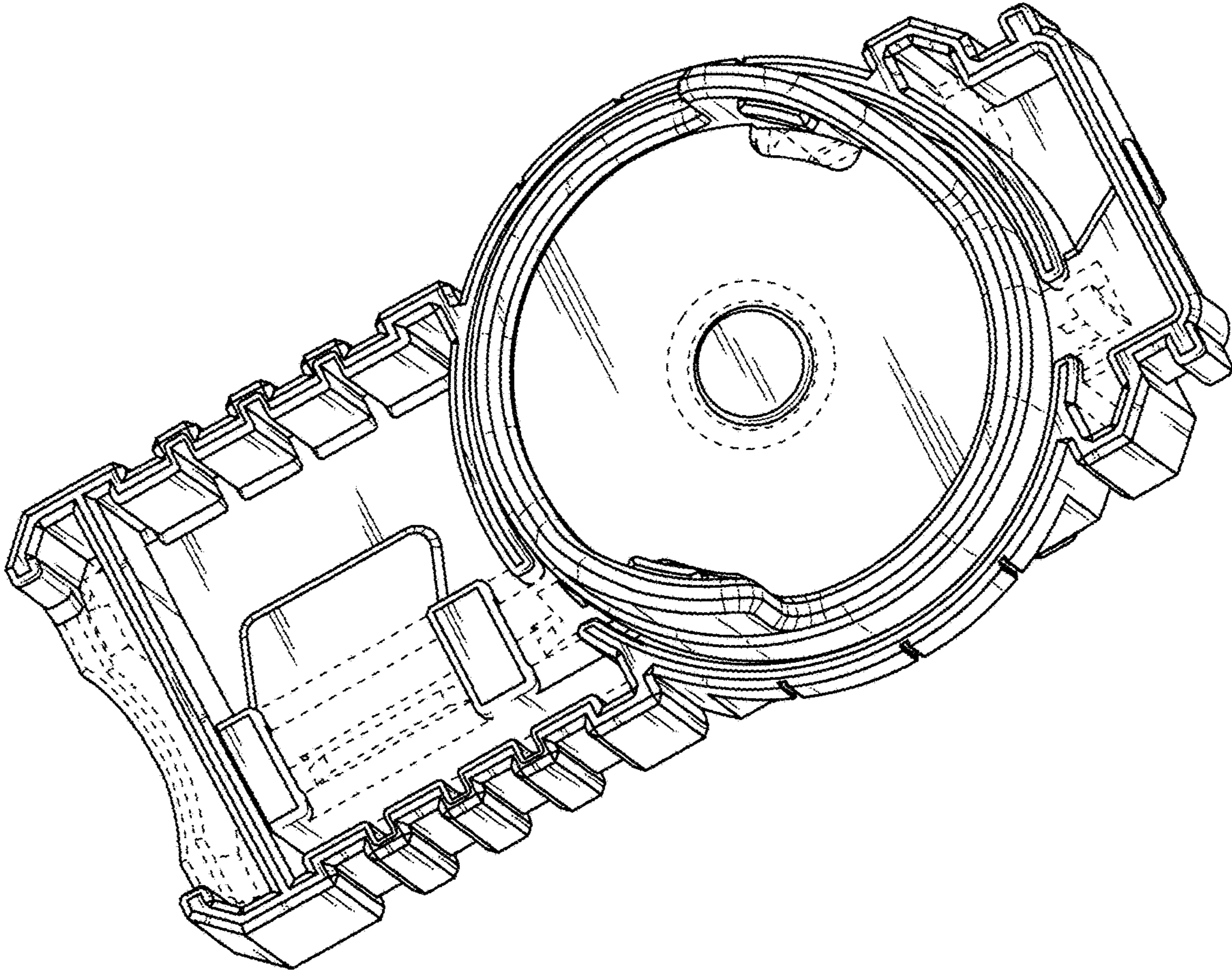


FIG. 8

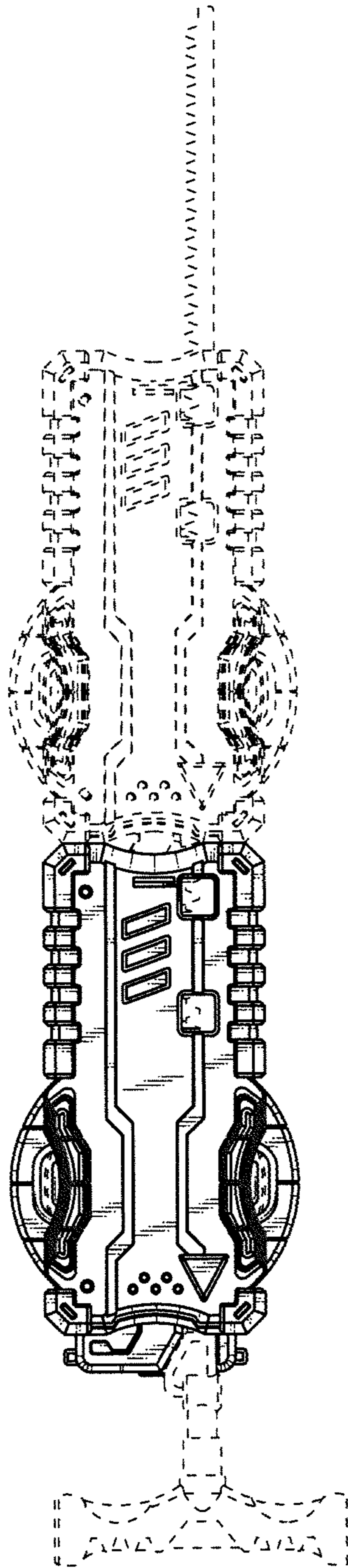


FIG. 9