



US00D842935S

(12) **United States Design Patent**  
**Horikoshi et al.**

(10) **Patent No.:** **US D842,935 S**  
(45) **Date of Patent:** **\*\* Mar. 12, 2019**

(54) **SPINNING TOP TOY**

(71) Applicant: **TOMY COMPANY, LTD.**, Tokyo (JP)

(72) Inventors: **Kenji Horikoshi**, Tokyo (JP); **Hiroyuki Matsukawa**, Tokyo (JP)

(73) Assignee: **TOMY COMPANY, LTD.**, Tokyo (JP)

(\*\*) Term: **15 Years**

(21) Appl. No.: **29/620,096**

(22) Filed: **Jun. 30, 2016**

(30) **Foreign Application Priority Data**

Mar. 15, 2016 (JP) ..... 2016-005667

(51) **LOC (11) Cl.** ..... **21-01**

(52) **U.S. Cl.**  
USPC ..... **D21/460**

(58) **Field of Classification Search**  
USPC ..... D21/436, 441, 443, 444, 455, 460-464;  
446/236-266

(Continued)

(56) **References Cited**

**U.S. PATENT DOCUMENTS**

D614,245 S \* 4/2010 Ujita ..... D21/460  
D615,134 S \* 5/2010 Nishimoto ..... D21/460

(Continued)

**FOREIGN PATENT DOCUMENTS**

CN 3262744 \* 11/2002  
CN 302937936 \* 9/2014

(Continued)

*Primary Examiner* — Catherine A Tuttle

(74) *Attorney, Agent, or Firm* — Staas & Halsey LLP

(57) **CLAIM**

The ornamental design for a spinning top toy, as shown and described.

**DESCRIPTION**

FIG. 1 is a front view of the spinning top toy showing our design;

FIG. 2 is a left side view thereof;

FIG. 3 is a rear view thereof;

FIG. 4 is right side view thereof;

FIG. 5 is a top view thereof;

FIG. 6 is a bottom view thereof;

FIG. 7 is a perspective view thereof;

FIG. 8 is a front elevational view of the transparent portion of the design shown in isolation for clarity of disclosure;

FIG. 9 is a top plan view of the top surface of the transparent portion shown in isolation for clarity of disclosure.

FIG. 10 is a front view of the spinning top toy, corresponding to FIG. 1 but showing the addition of contour shading to the transparent parts and with the interior parts omitted;

FIG. 11 is a left side view thereof corresponding to FIG. 2 but showing the addition of contour shading to the transparent parts and with the interior parts omitted;

FIG. 12 is a rear view thereof corresponding to FIG. 3 but showing the addition of contour shading to the transparent parts and with the interior parts omitted;

FIG. 13 is right side view thereof corresponding to FIG. 4 but showing the addition of contour shading to the transparent parts and with the interior parts omitted;

FIG. 14 is a top view thereof corresponding to FIG. 5 but showing the addition of contour shading to the transparent parts and with the interior parts omitted;

FIG. 15 is a bottom view thereof corresponding to FIG. 6 but showing the addition of contour shading to the transparent parts and with the interior parts omitted;

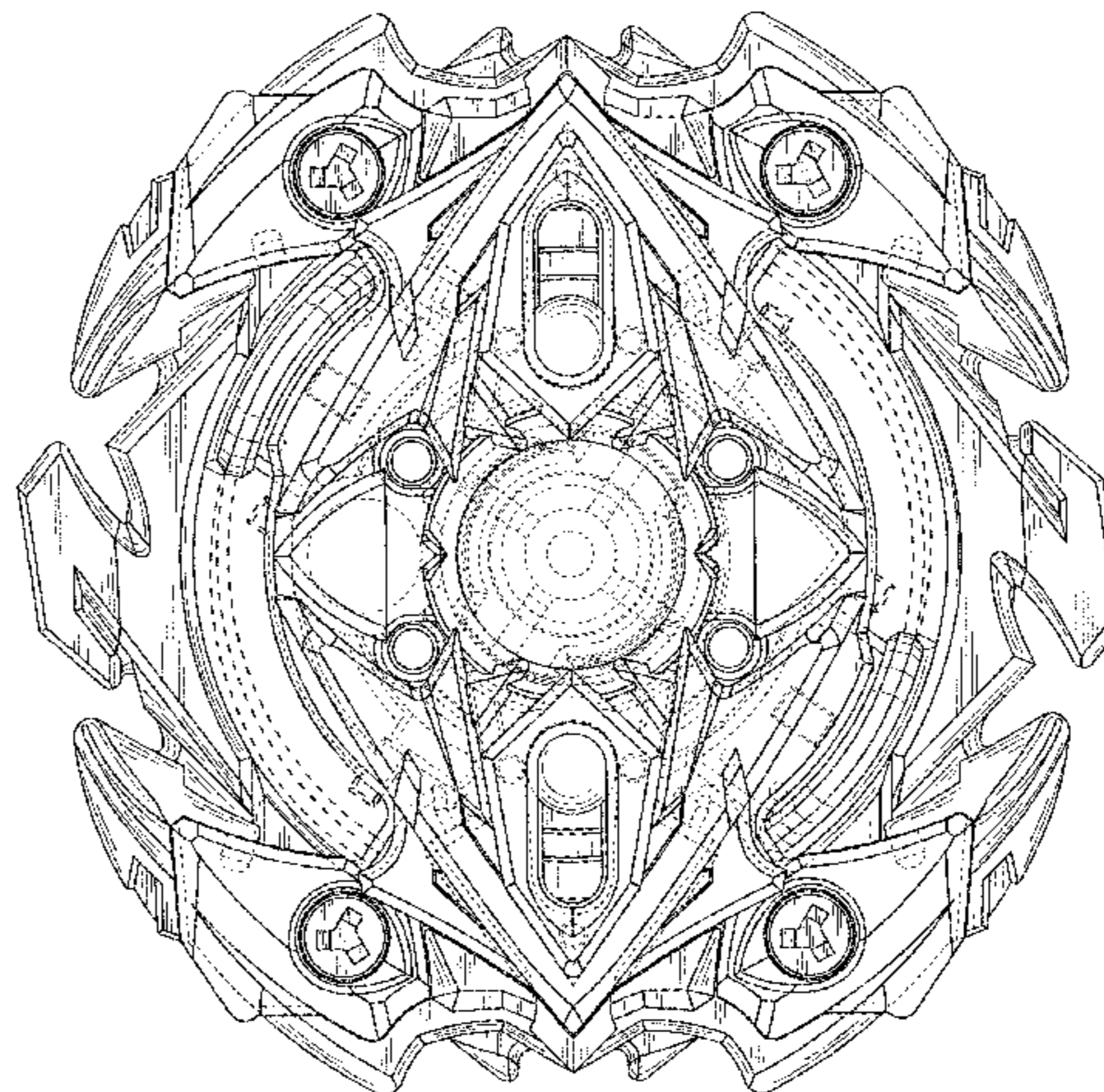
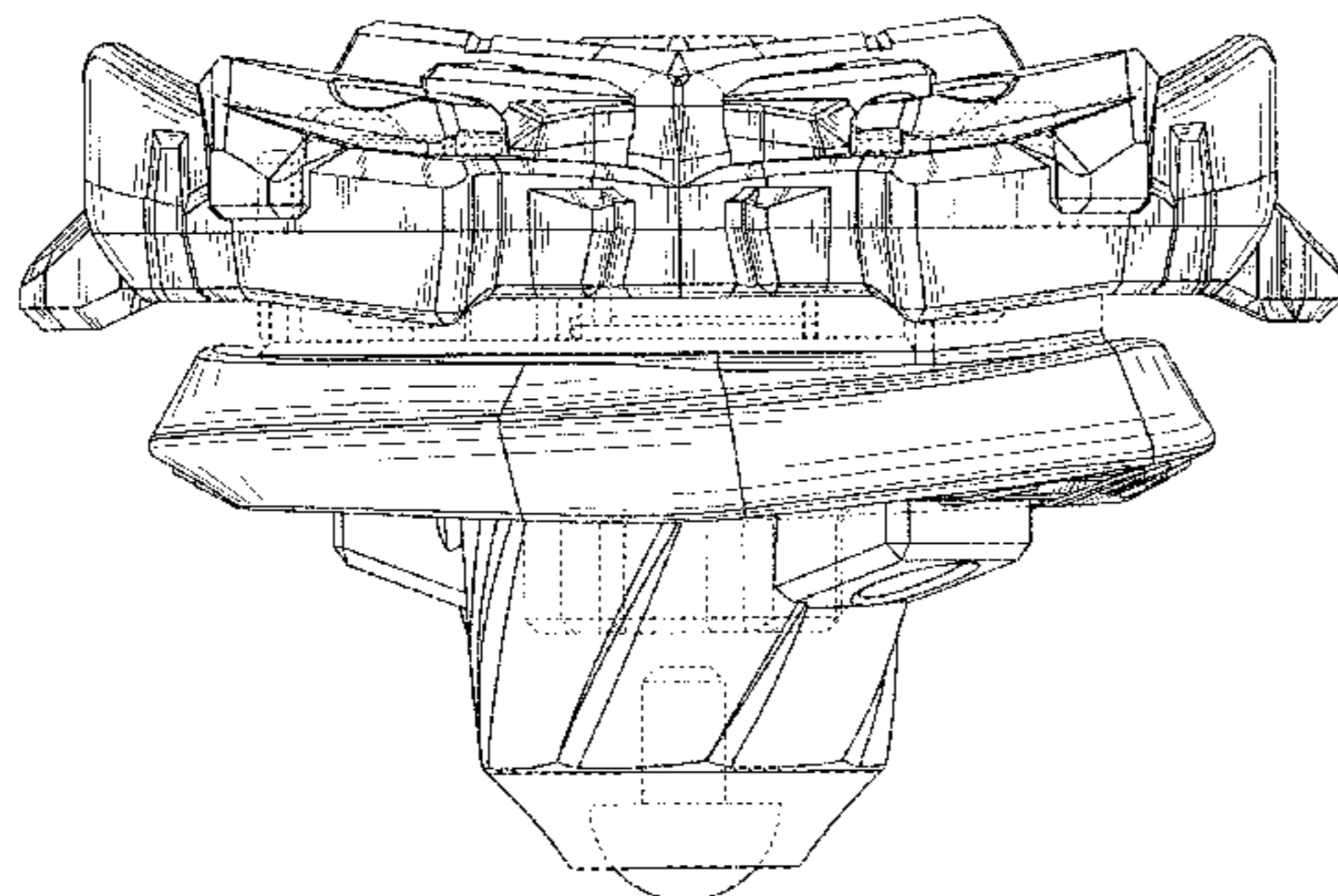
FIG. 16 is a perspective view thereof corresponding to FIG. 7 but showing the addition of contour shading to the transparent parts and with the interior parts omitted;

FIG. 17 is a front elevational view corresponding to FIG. 8, but showing the addition of contour shading to the transparent parts and with the interior parts omitted; and,

FIG. 18 is a top plan view corresponding to FIG. 9, but showing the addition of contour shading to the transparent parts.

The portions of the spinning top toy shown in broken lines form no part of the claimed design.

**1 Claim, 18 Drawing Sheets**



(58) **Field of Classification Search**

CPC ..... A63H 1/00–1/32; A63F 9/16  
See application file for complete search history.

(56) **References Cited**

U.S. PATENT DOCUMENTS

D629,051	S	*	12/2010	Nishimoto	.....	D21/460
D629,468	S	*	12/2010	Ujita	.....	D21/460
D629,847	S	*	12/2010	Ujita	.....	D21/460
D629,848	S	*	12/2010	Ujita	.....	D21/460
D639,348	S	*	6/2011	Ujita	.....	D21/460
D639,869	S	*	6/2011	Nishimoto	.....	D21/460
D646,729	S	*	10/2011	Ujita	.....	D21/460
D660,918	S	*	5/2012	Ujita	.....	D21/460
D662,556	S	*	6/2012	Horikoshi	.....	D21/460
D665,859	S	*	8/2012	Horikoshi	.....	D21/460
D666,252	S	*	8/2012	Ujita	.....	D21/460
D666,253	S	*	8/2012	Ujita	.....	D21/460
2010/0159798	A1	*	6/2010	Bertrand	.....	A63H 1/02 446/259

FOREIGN PATENT DOCUMENTS

CN	303533297	*	12/2015
CN	303533301	*	12/2015
JP	D1544288	*	2/2016
JP	D1549751	*	5/2016
JP	D1549782	*	5/2016
JP	D1557223	*	8/2016

\* cited by examiner



FIG.1

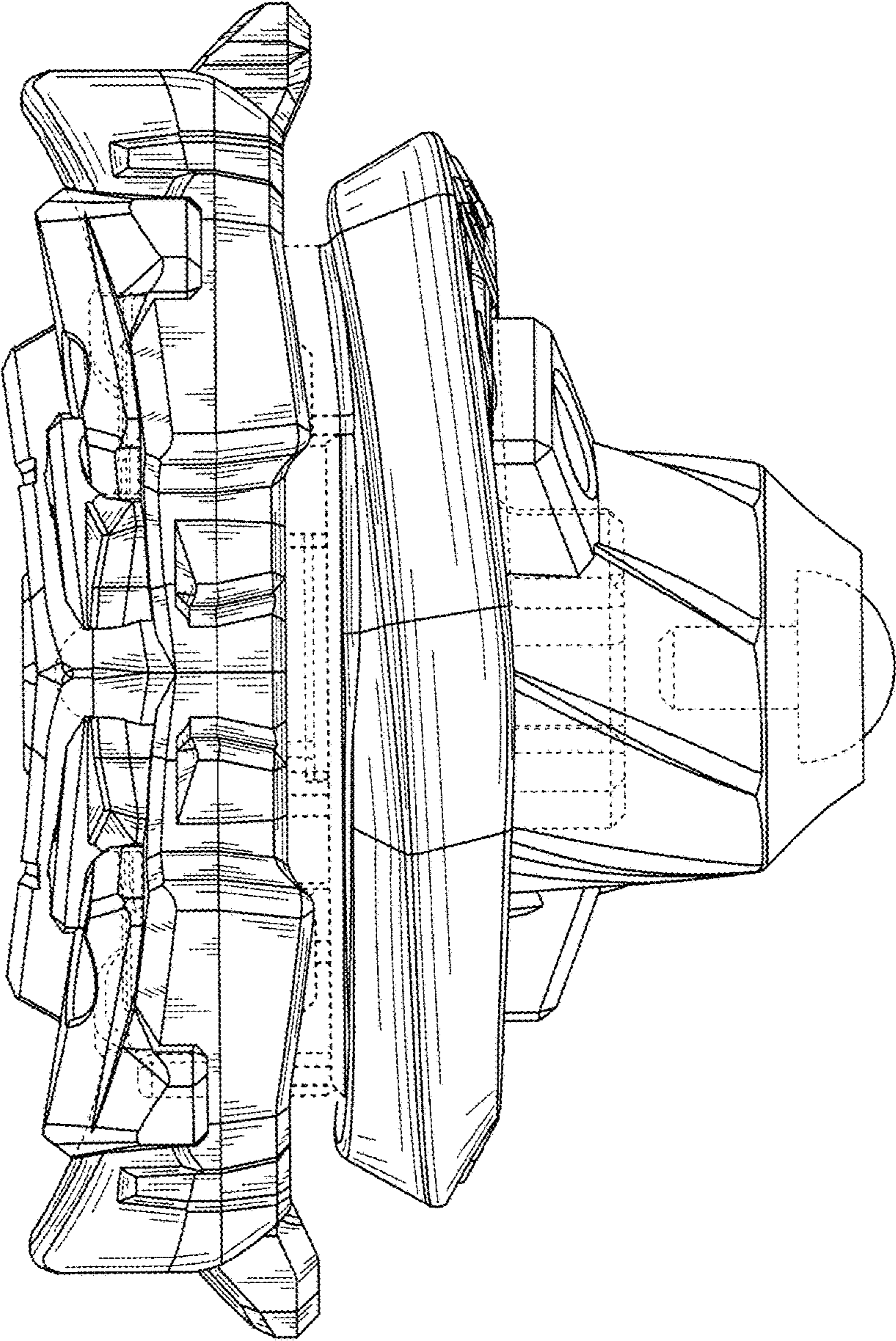


FIG.2

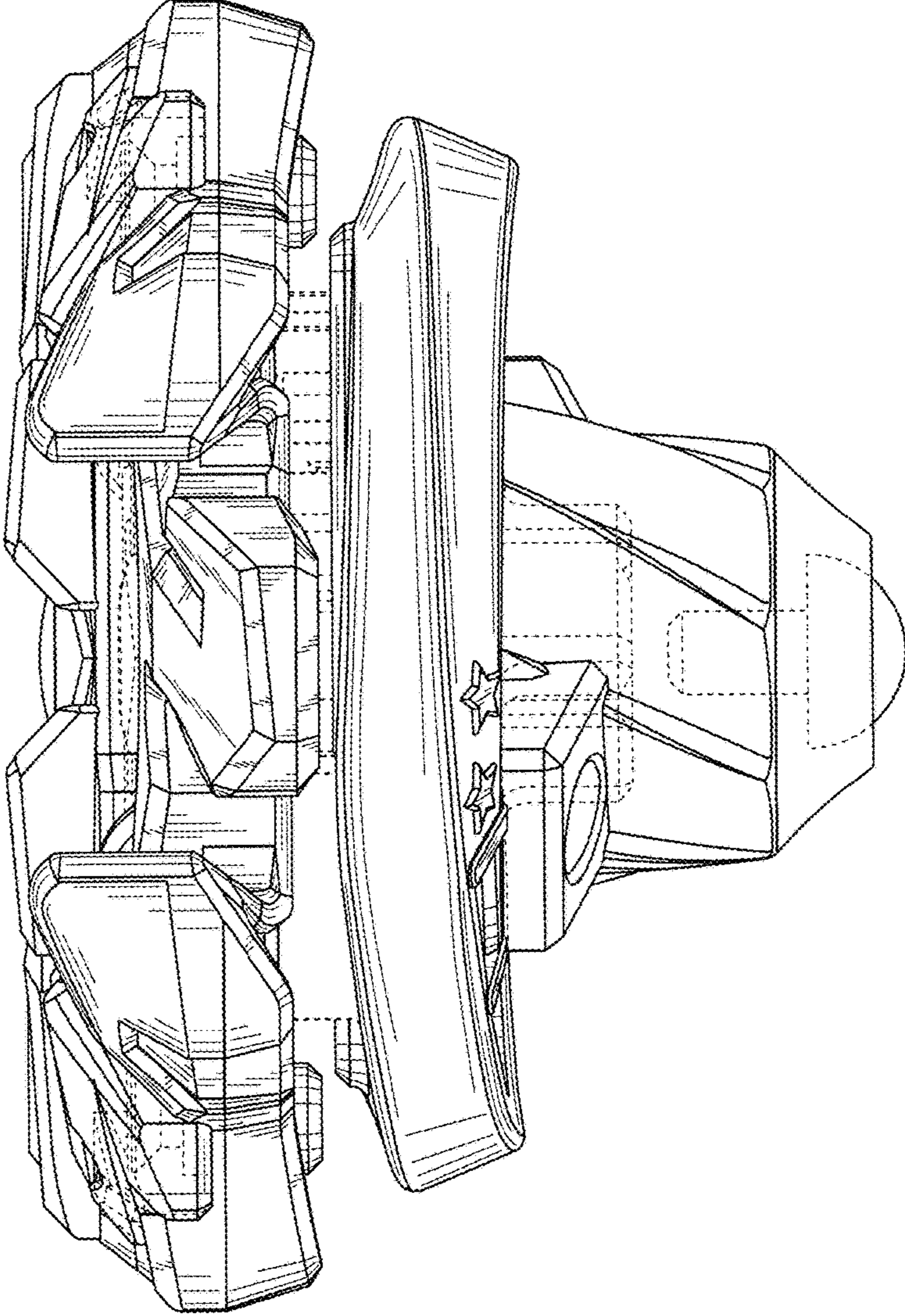




FIG.3

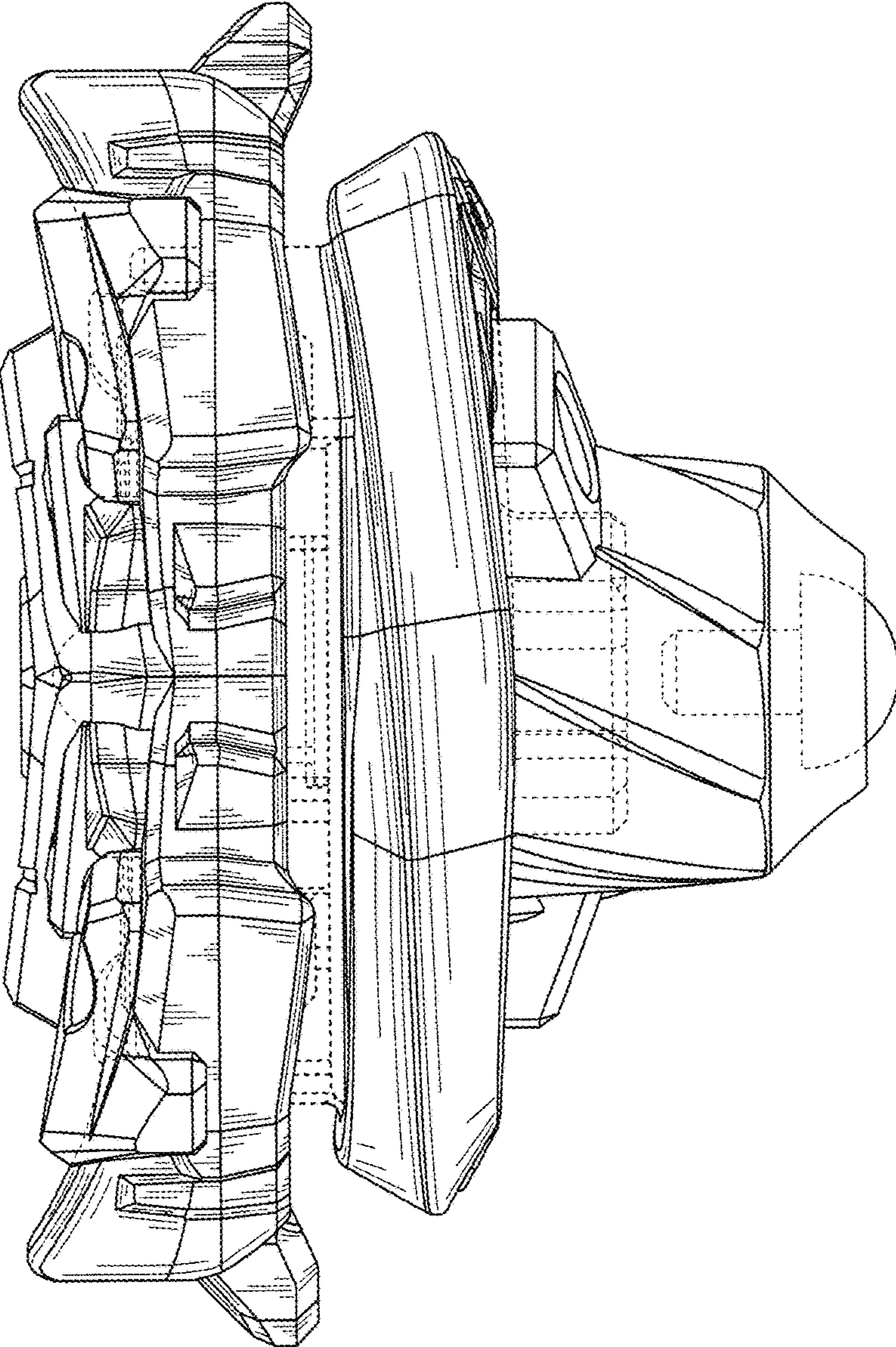


FIG.4

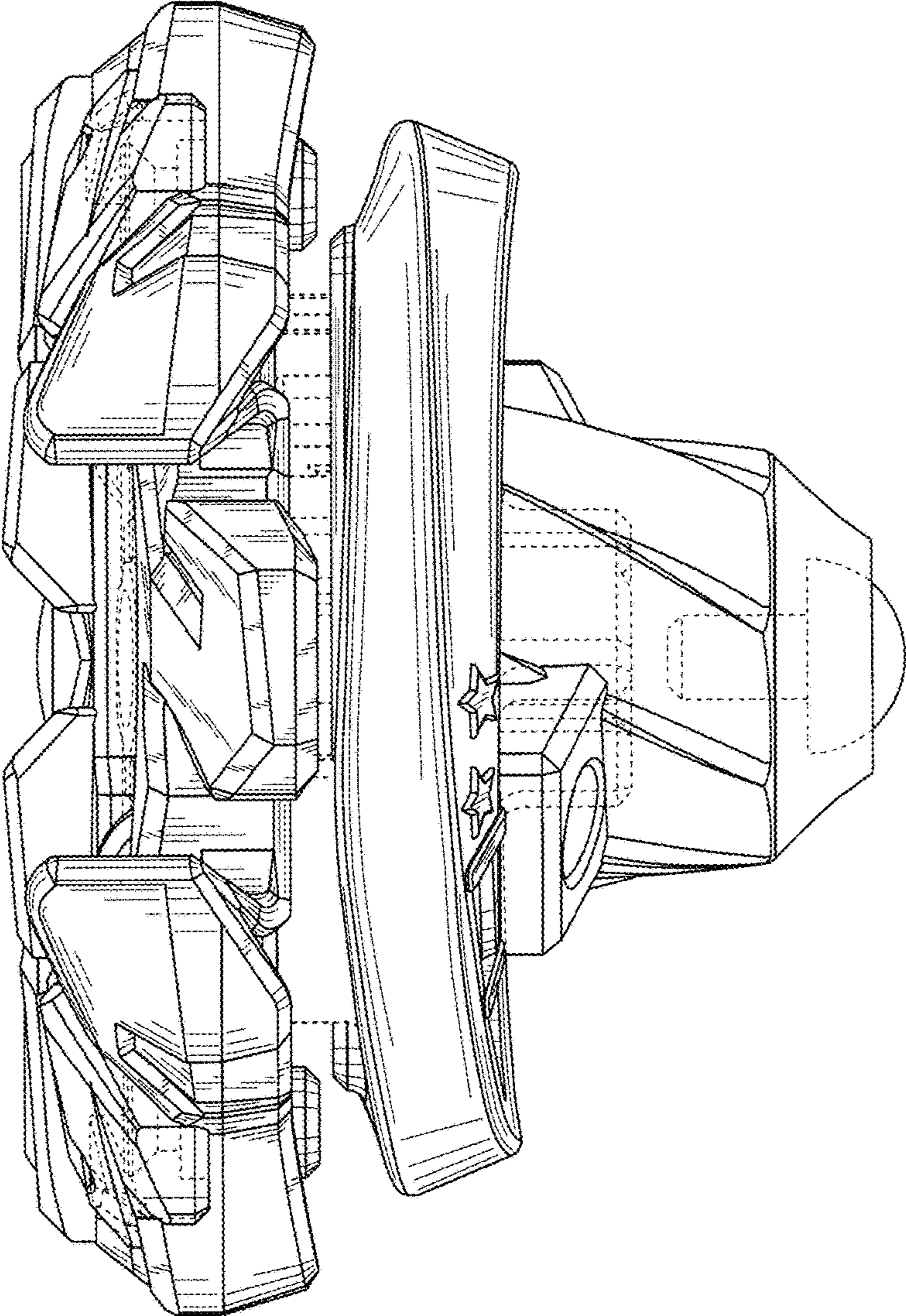




FIG.5

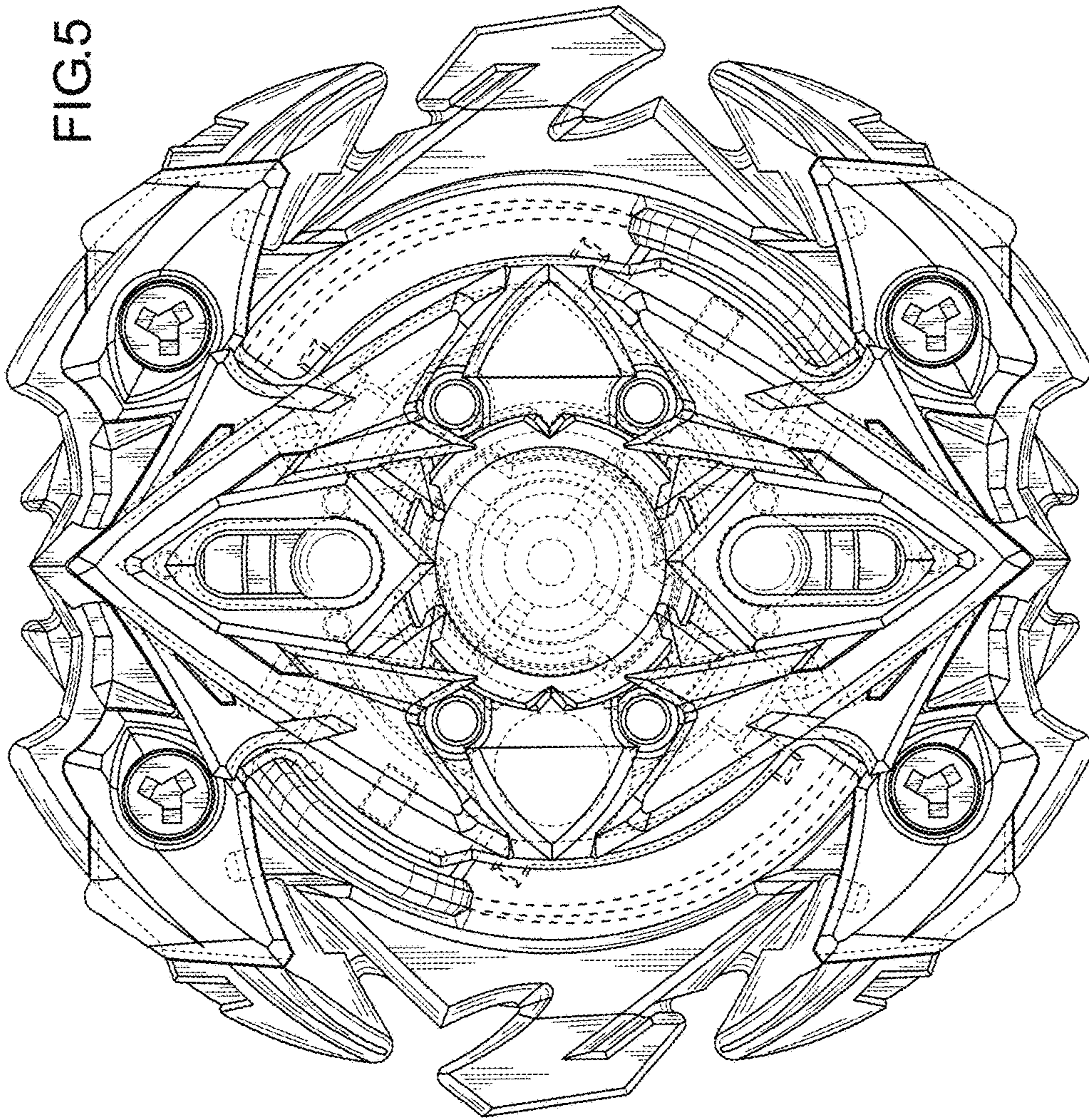
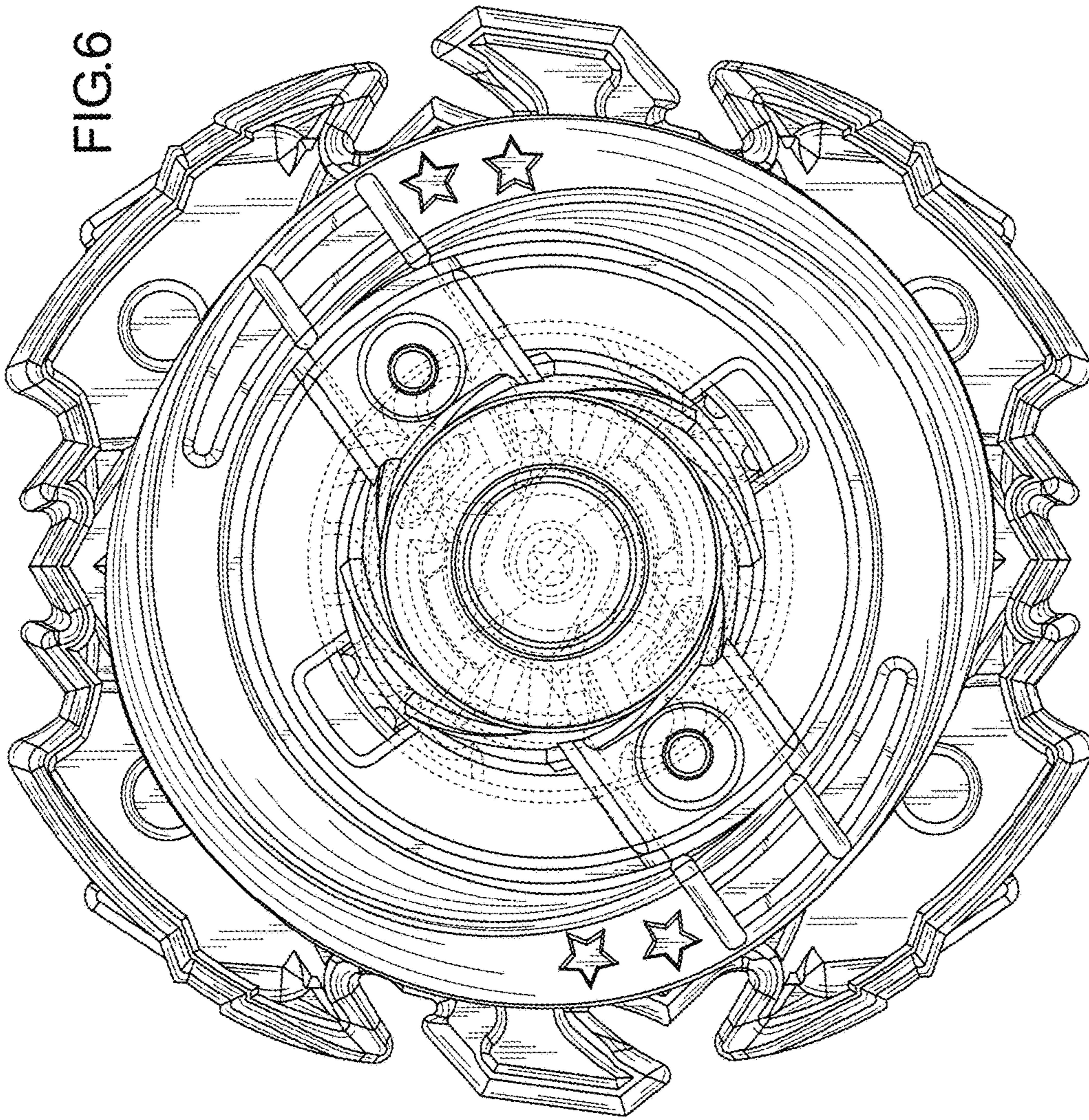




FIG.6





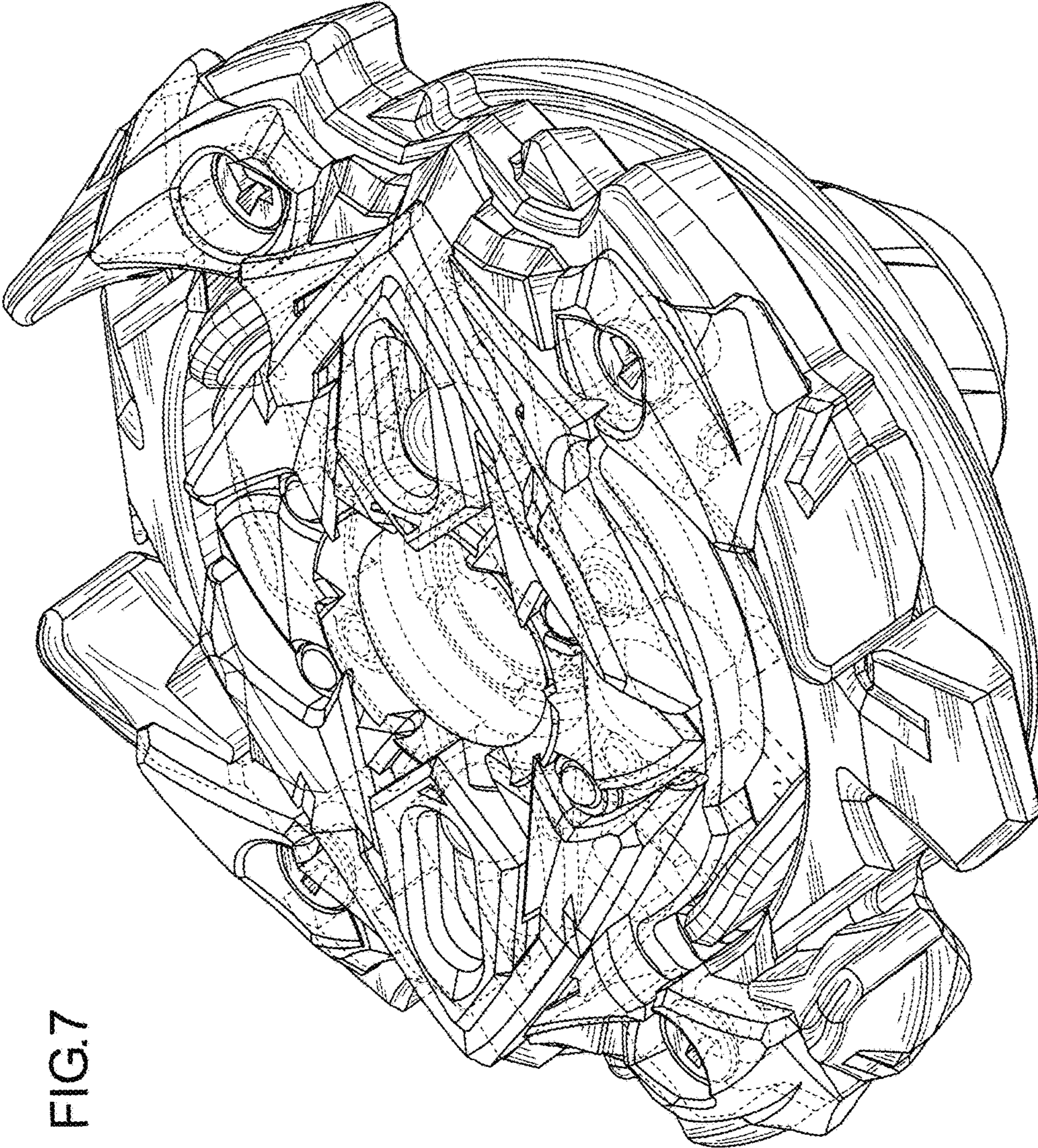
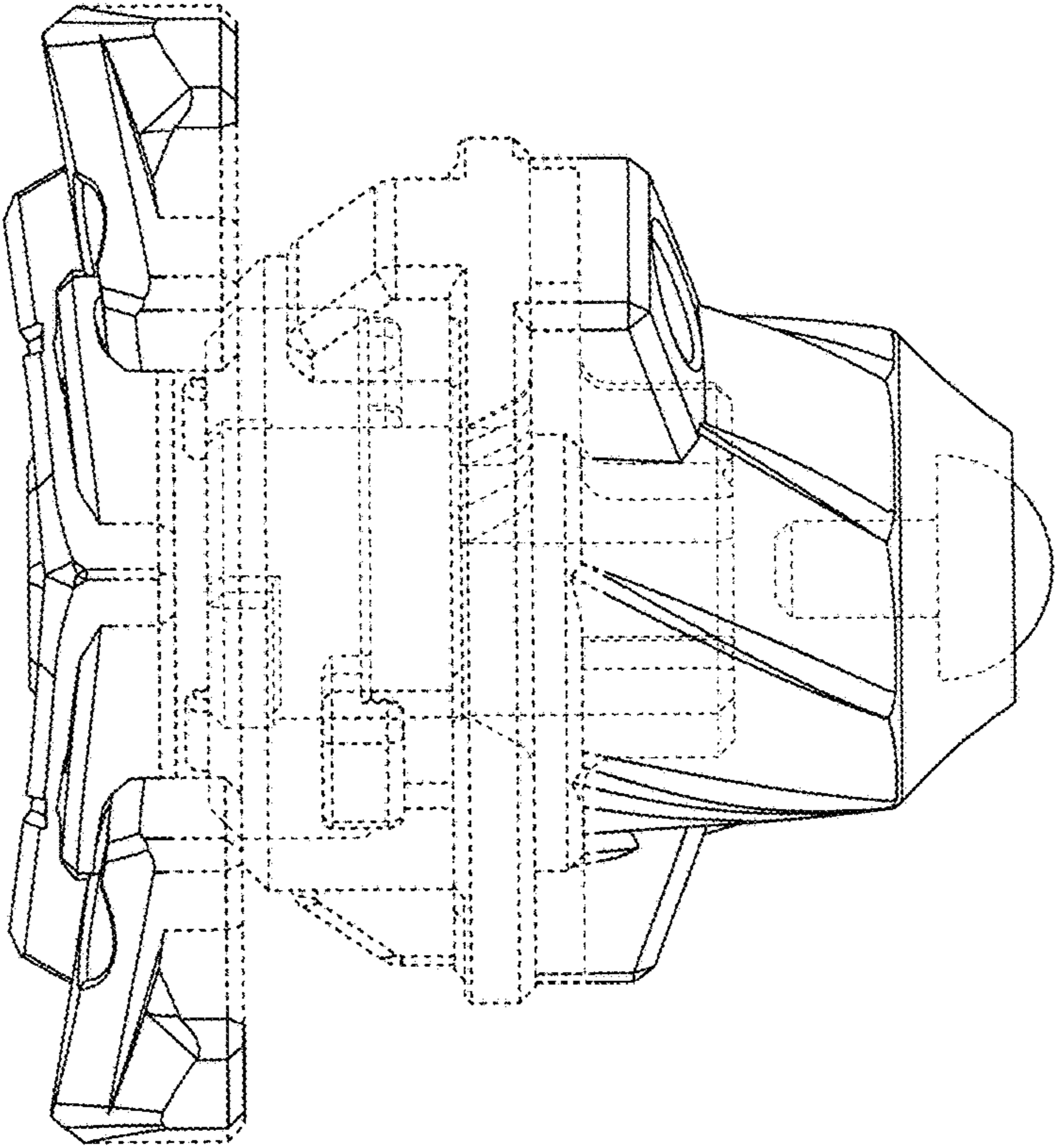


FIG.7

FIG.8





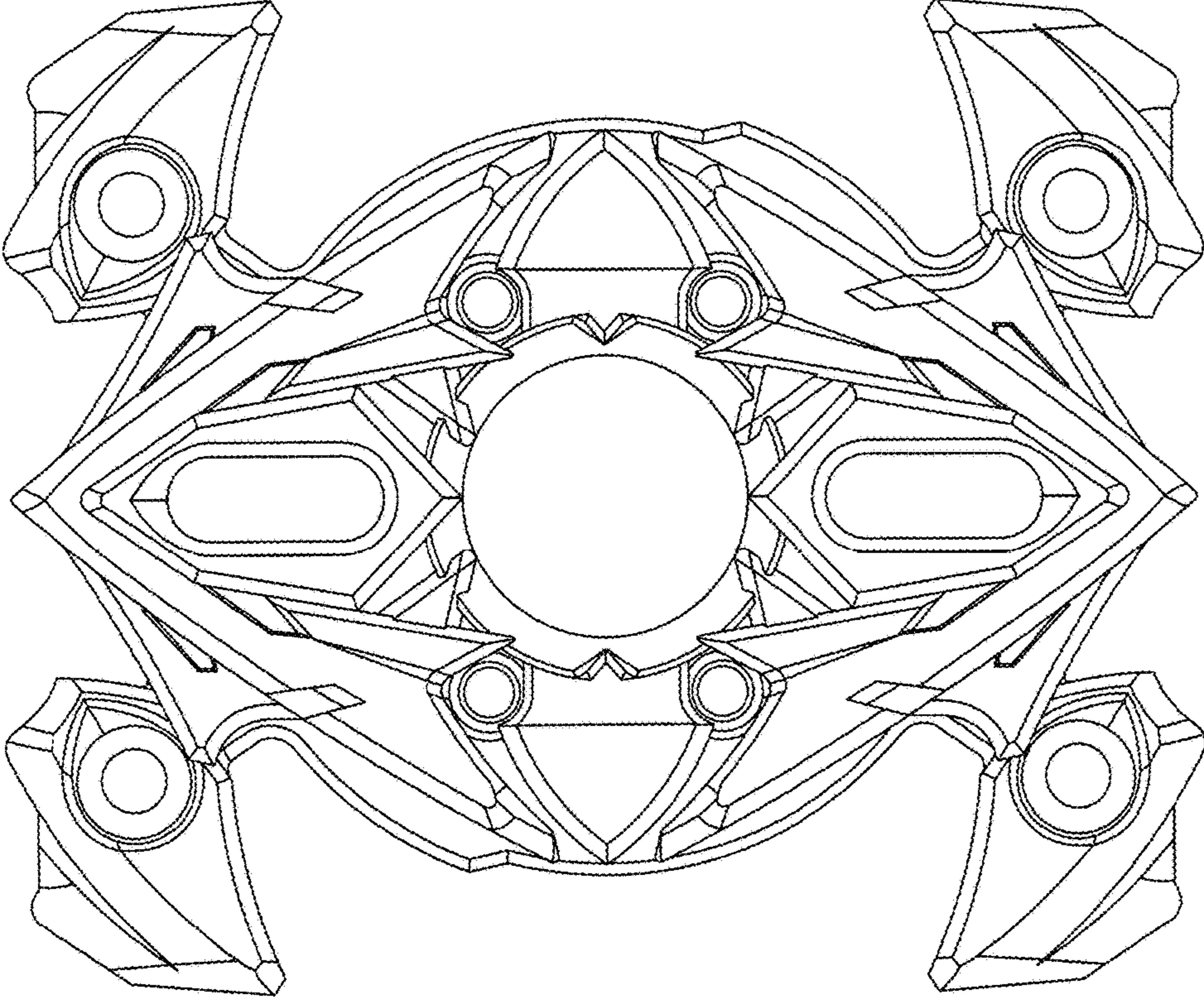


FIG.9

FIG.10

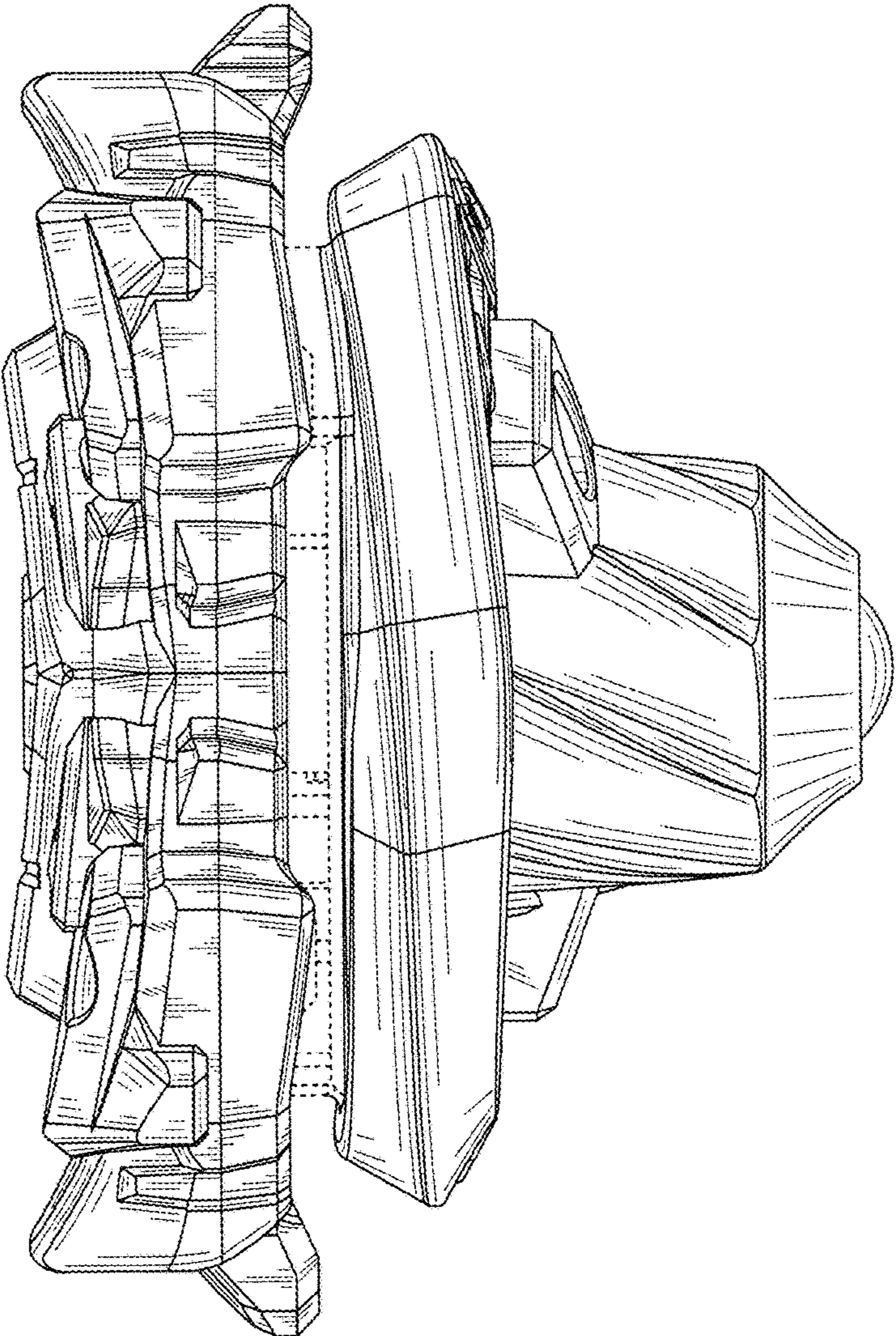




FIG.11

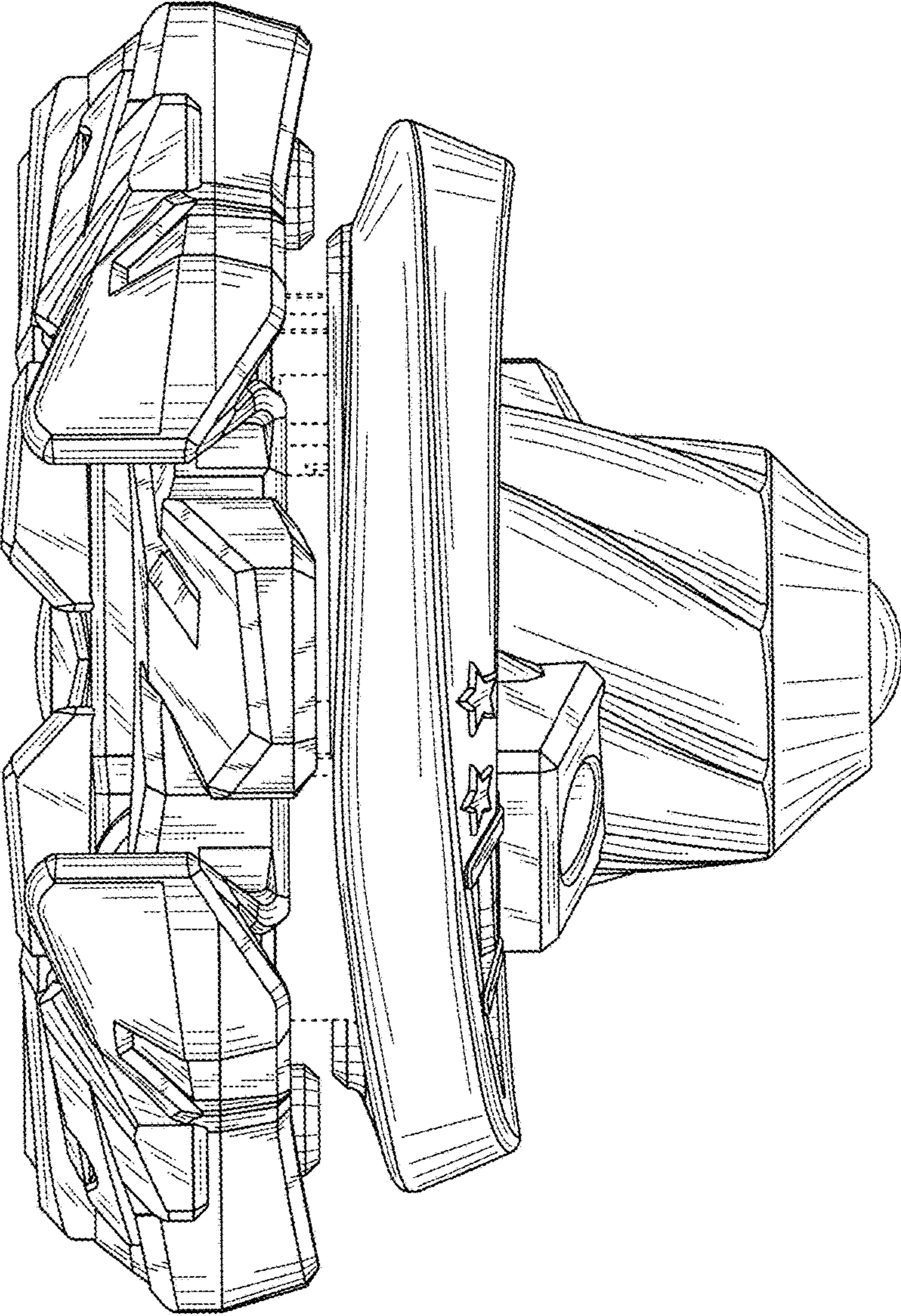


FIG.12

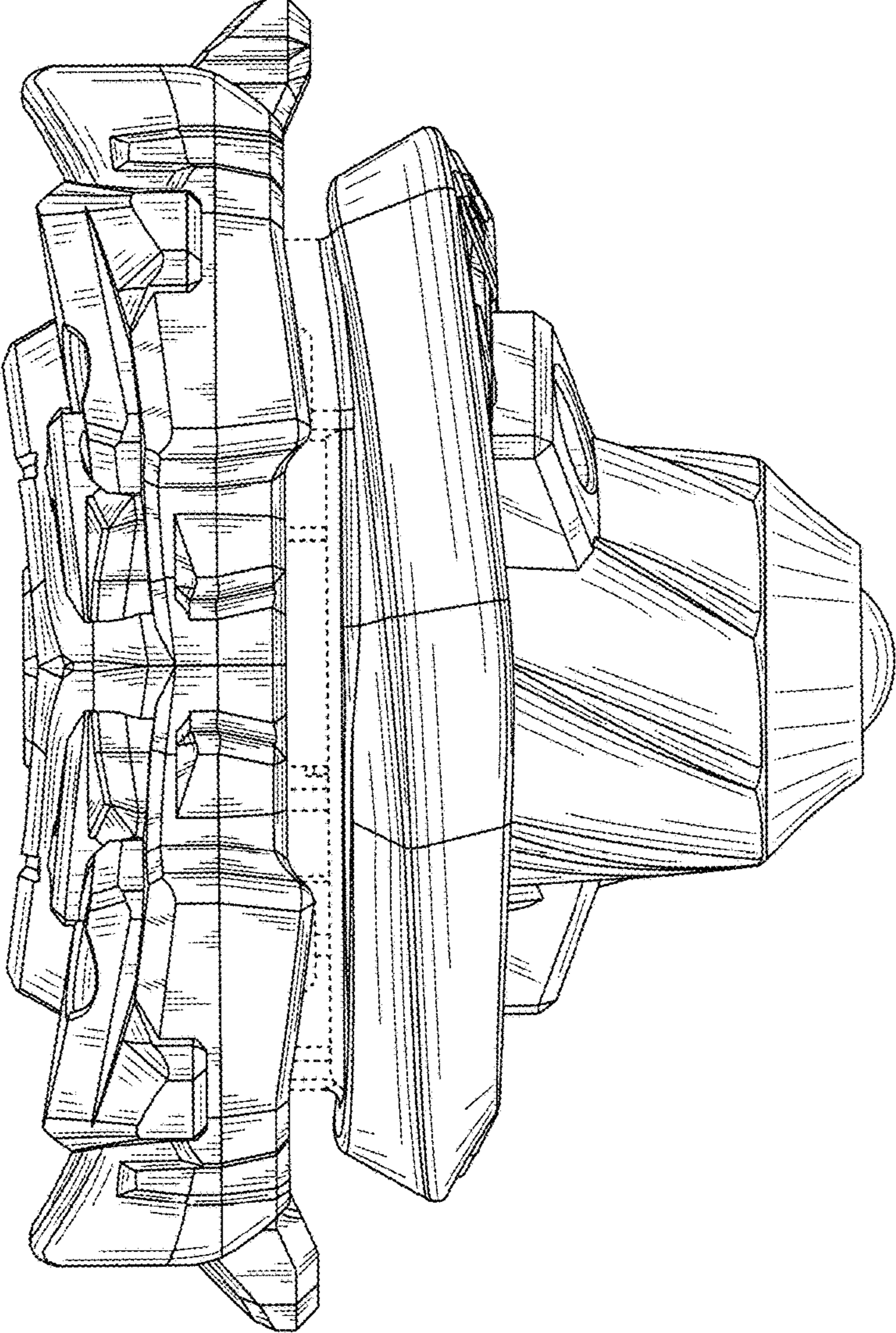




FIG.13

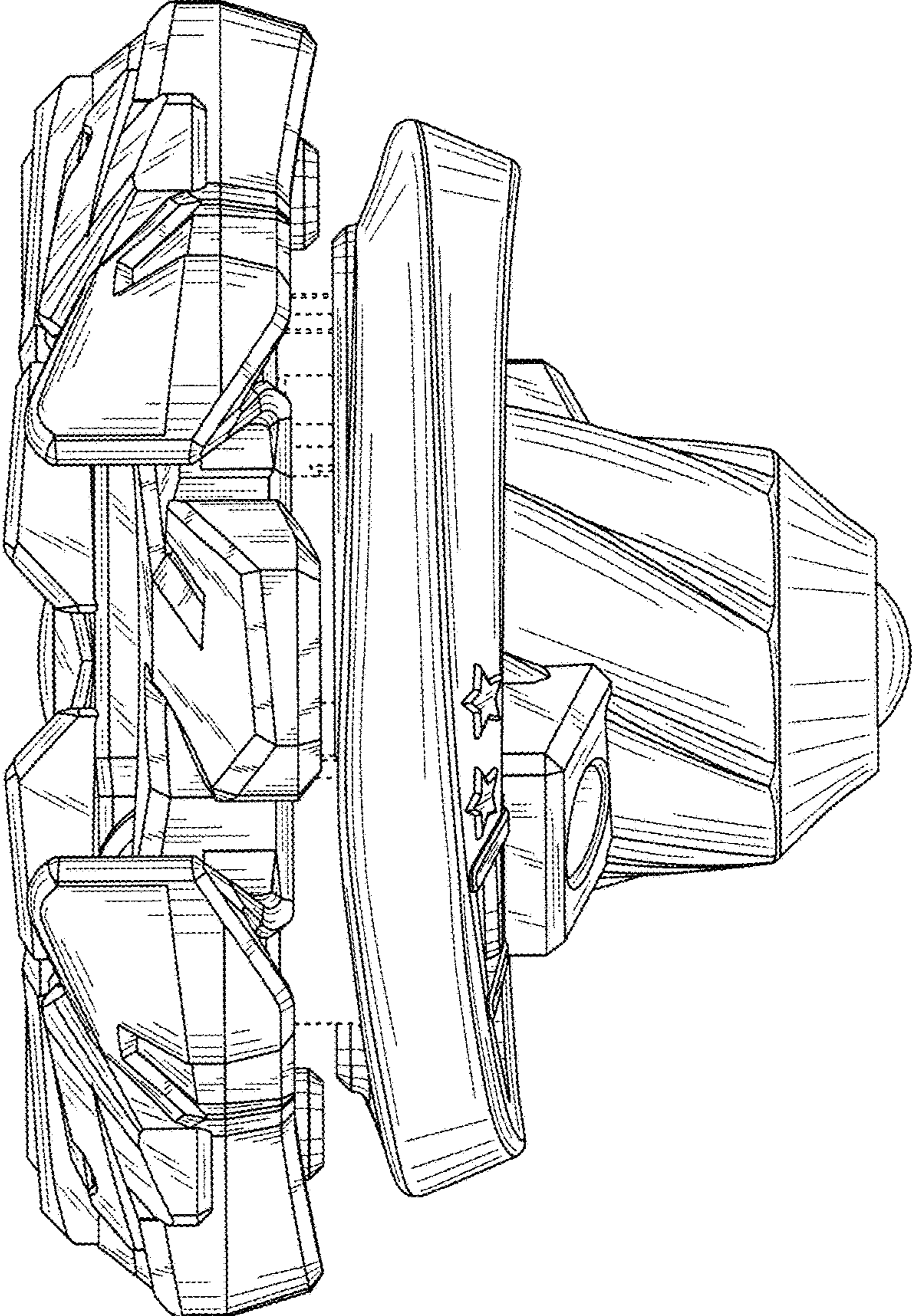




FIG.14

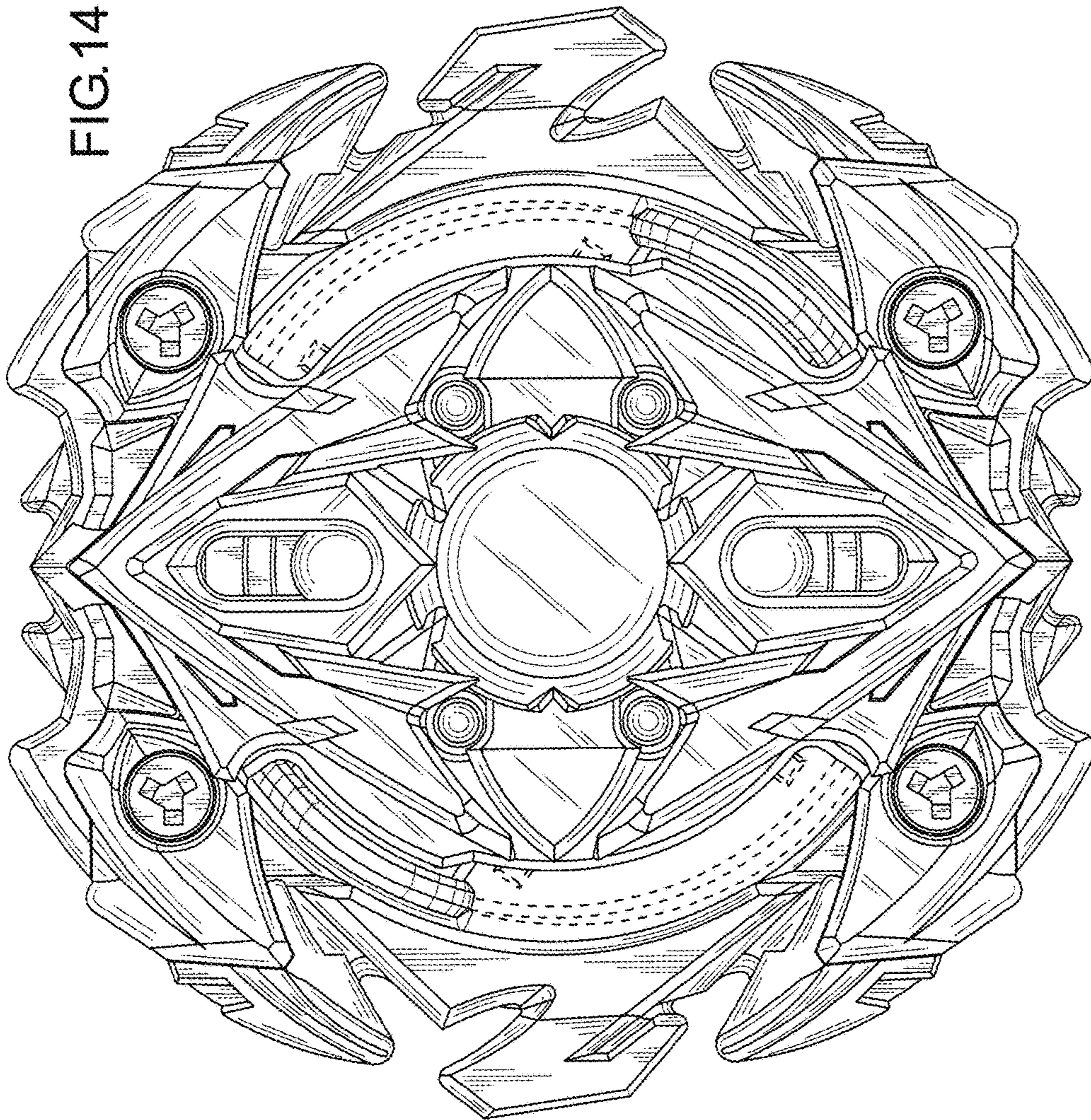
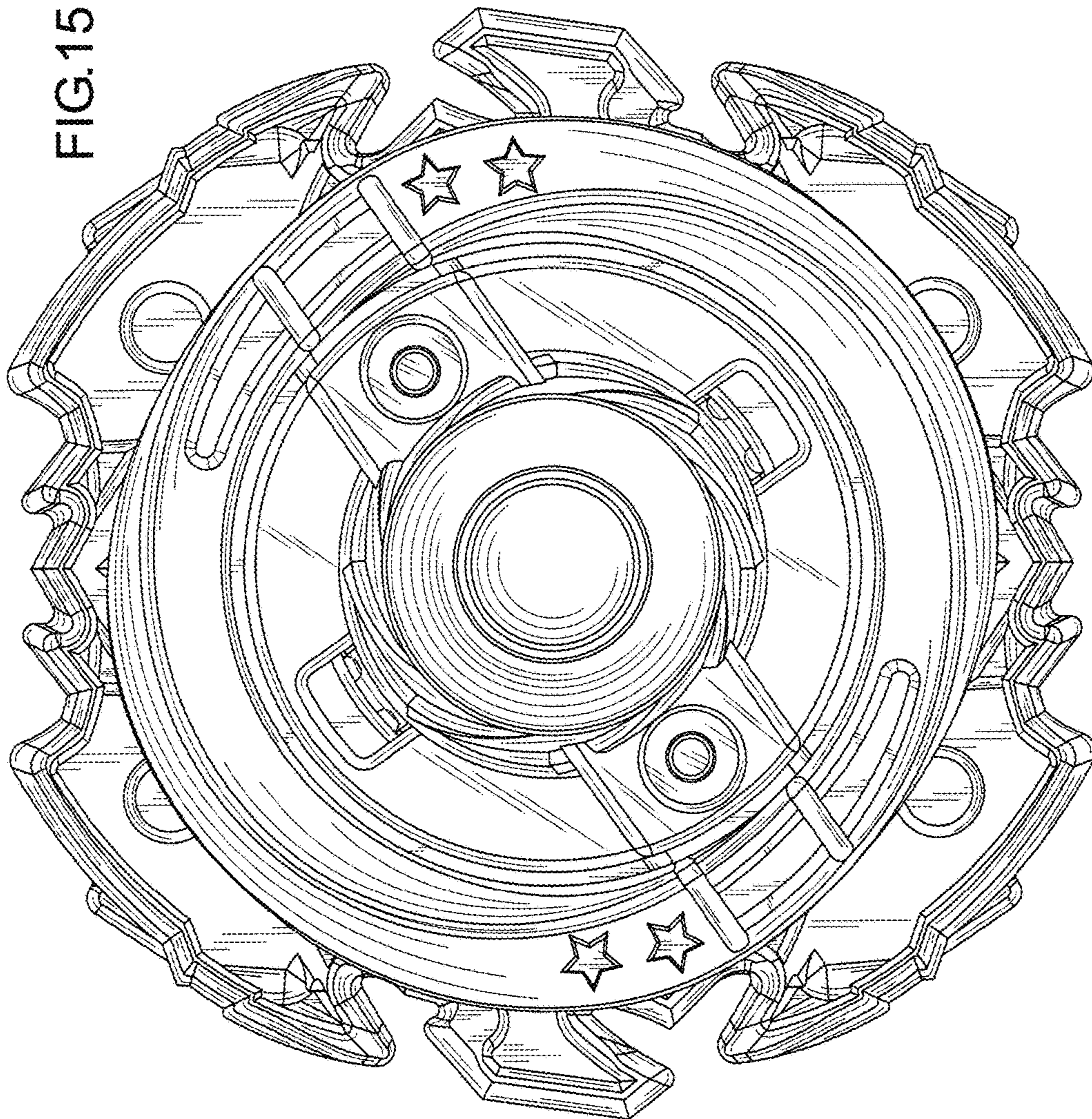




FIG.15





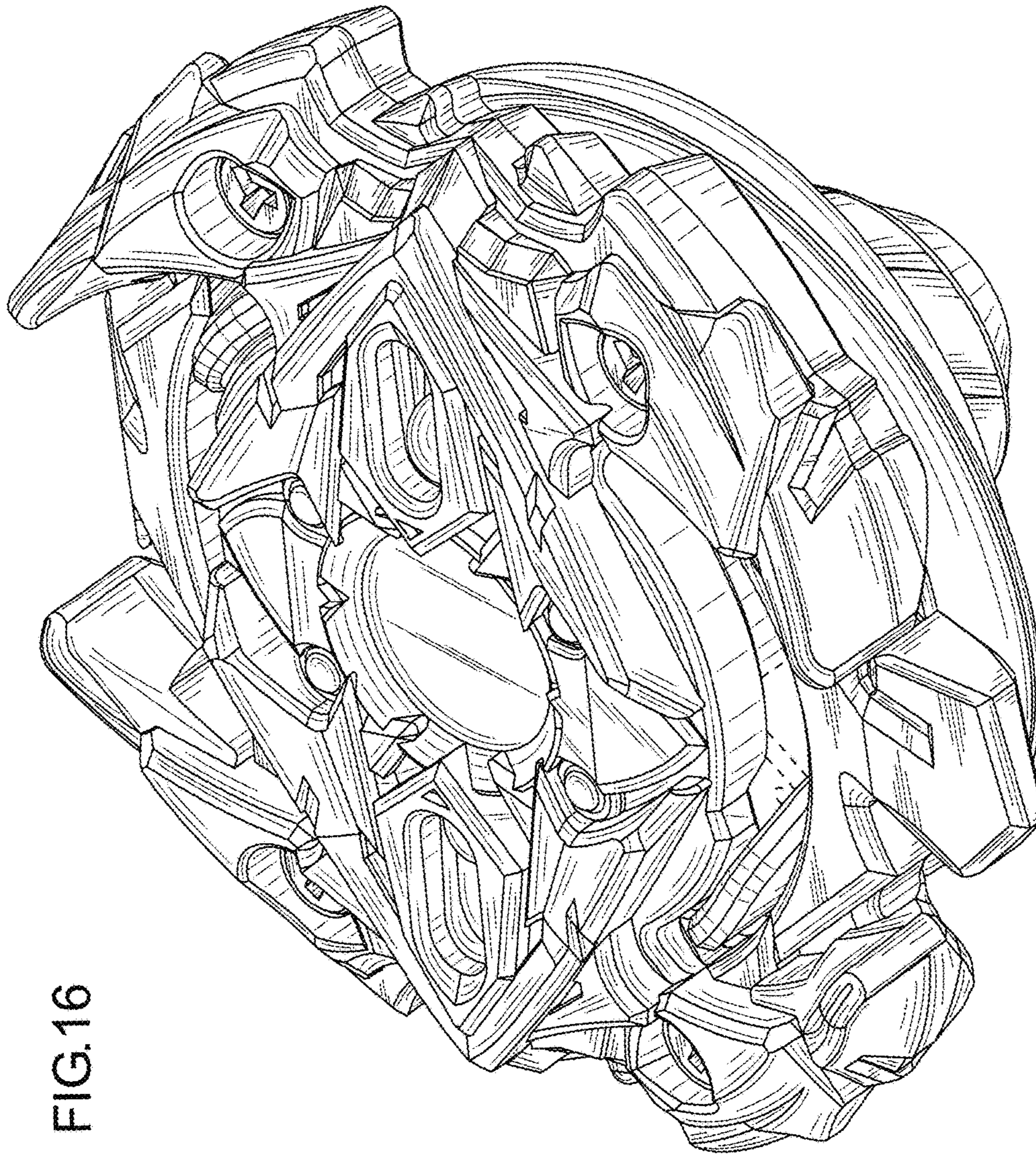
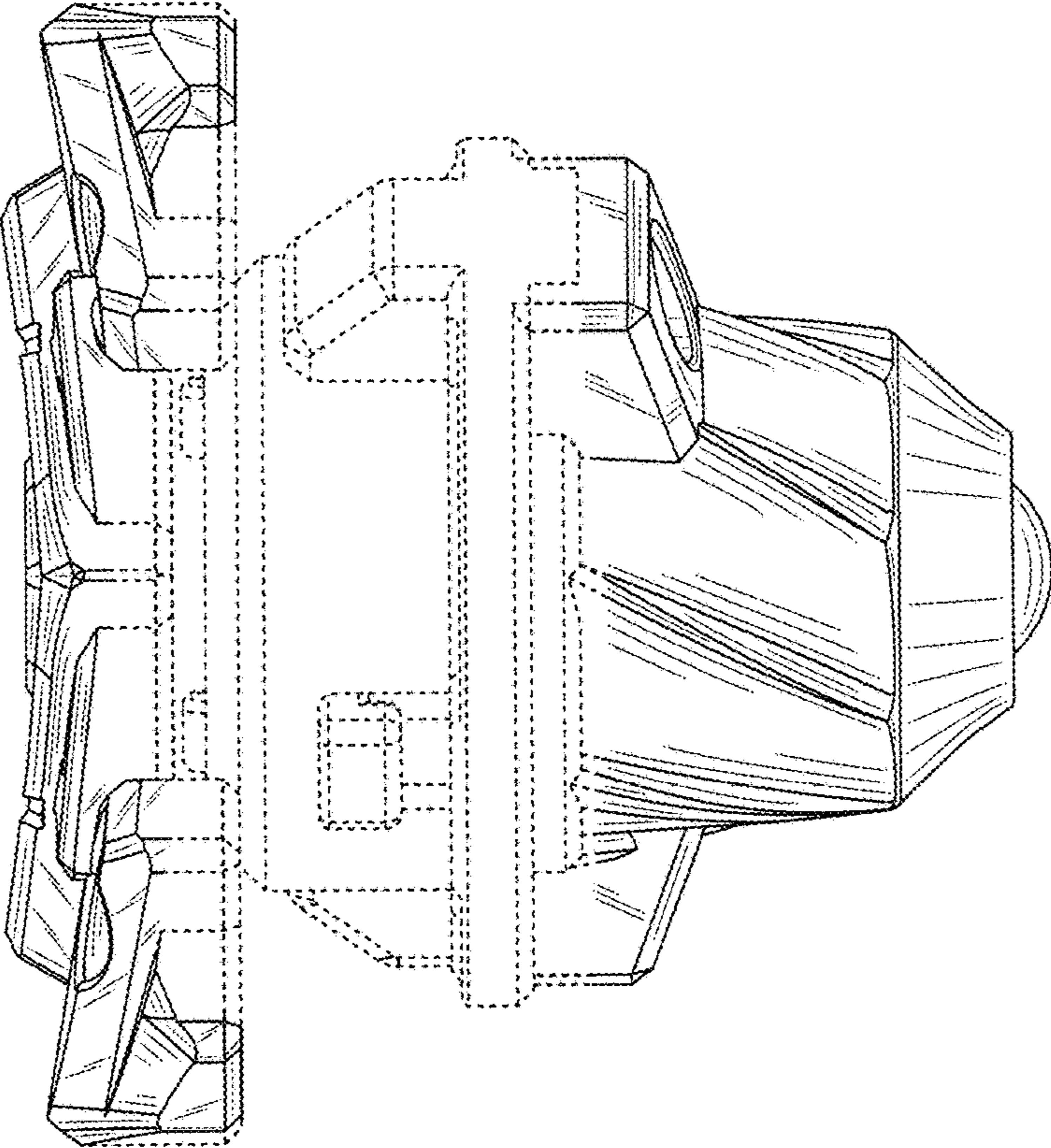


FIG.16



FIG.17



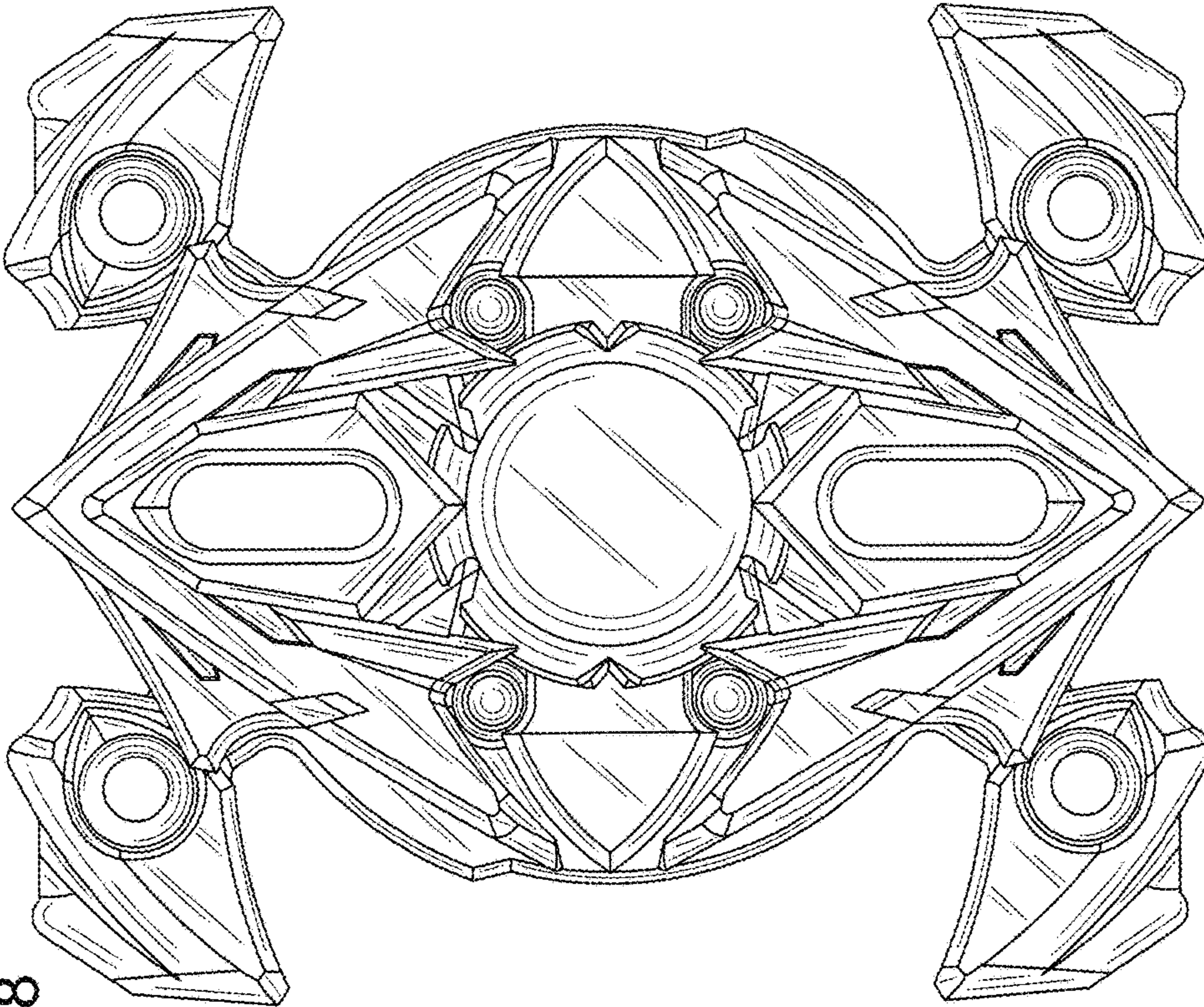


FIG.18