



US00D842934S

(12) **United States Design Patent**
Muraki

(10) **Patent No.:** **US D842,934 S**
(45) **Date of Patent:** **** Mar. 12, 2019**

(54) **SPINNING TOP TOY**

DESCRIPTION

(71) Applicant: **TOMY COMPANY, LTD.**, Tokyo (JP)

(72) Inventor: **Makoto Muraki**, Tokyo (JP)

(73) Assignee: **TOMY COMPANY, LTD.**, Tokyo (JP)

(**) Term: **15 Years**

(21) Appl. No.: **29/505,894**

(22) Filed: **Mar. 31, 2016**

(30) **Foreign Application Priority Data**

Dec. 21, 2015 (JP) 2015-028372

(51) **LOC (11) Cl.** **21-01**

(52) **U.S. Cl.**
USPC **D21/460**

(58) **Field of Classification Search**
USPC D21/436, 441, 443, 444, 455, 460-464;
446/236-266
CPC A63H 1/00-1/32; A63F 9/16
See application file for complete search history.

(56) **References Cited**

U.S. PATENT DOCUMENTS

D614,245 S * 4/2010 Ujita D21/460
D629,051 S * 12/2010 Nishimoto D21/460
(Continued)

FOREIGN PATENT DOCUMENTS

CN 301715351 * 11/2011
CN 301877952 * 4/2012
(Continued)

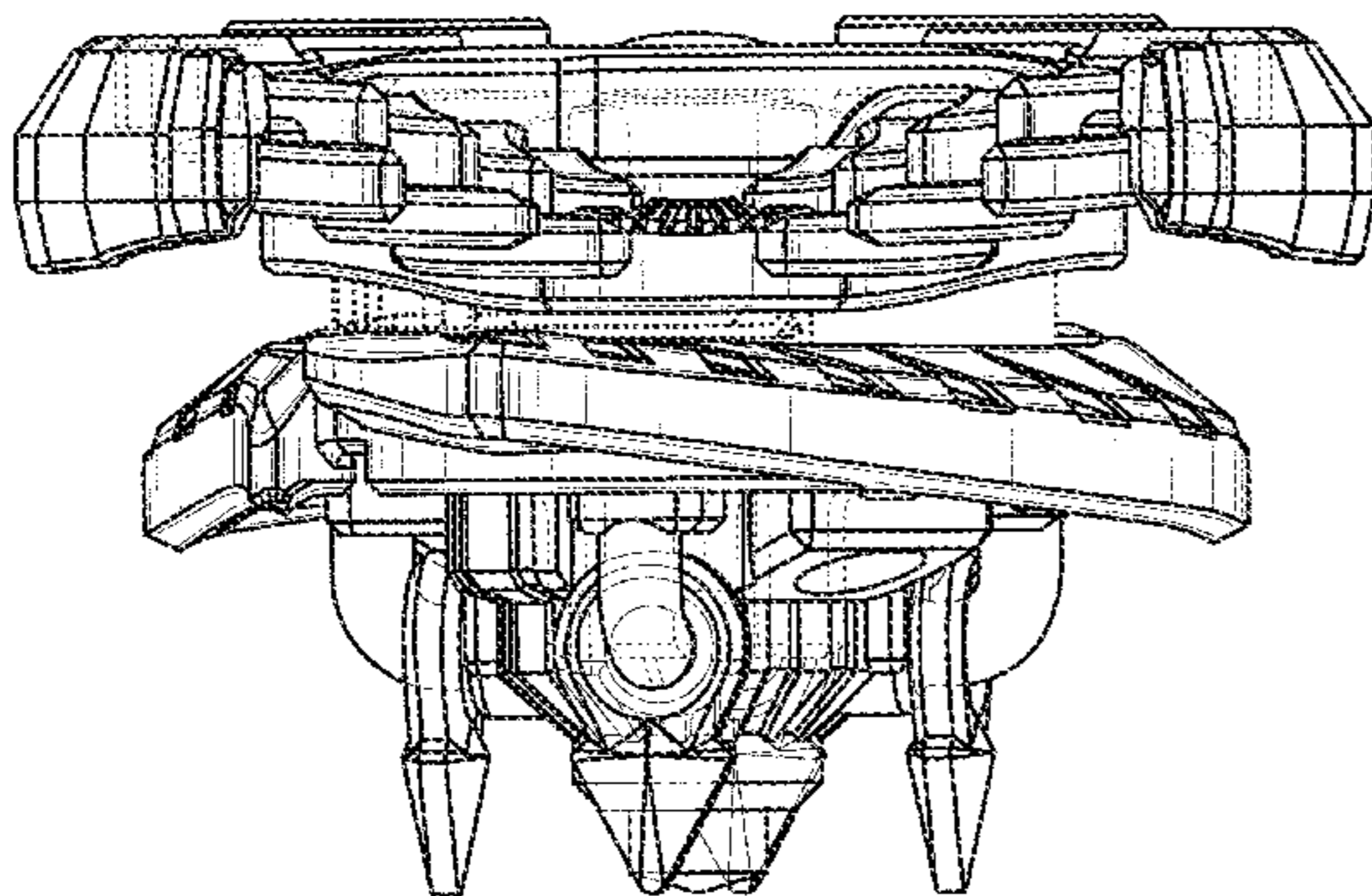
Primary Examiner — Catherine A Tuttle
(74) *Attorney, Agent, or Firm* — Staas & Halsey LLP

(57) **CLAIM**

The ornamental design for a spinning top toy, as shown and described.

FIG. 1 is a front view of the spinning top toy showing our design;
FIG. 2 is a left side view thereof;
FIG. 3 is a rear view thereof;
FIG. 4 is right side view thereof;
FIG. 5 is a top view thereof;
FIG. 6 is a bottom view thereof;
FIG. 7 is a perspective view thereof;
FIG. 8 is a front elevational view of the transparent portion of the design shown in isolation for clarity of disclosure;
FIG. 9 is a top plan view of the top surface of the transparent portion shown in isolation for clarity of disclosure;
FIG. 10 is a front view of the spinning top toy, corresponding to FIG. 1 but showing contour shading to the exterior parts and with the interior parts omitted;
FIG. 11 is a left side view thereof corresponding to FIG. 2 but showing contour shading to the exterior parts and with the interior parts omitted;
FIG. 12 is a rear view thereof corresponding to FIG. 3 but showing contour shading to the exterior parts and with the interior parts omitted;
FIG. 13 is right side view thereof corresponding to FIG. 4 but showing contour shading to the exterior parts and with the interior parts omitted;
FIG. 14 is a top view thereof corresponding to FIG. 5 but showing contour shading to the exterior parts and with the interior parts omitted;
FIG. 15 is a bottom view thereof corresponding to FIG. 6 but showing contour shading to the exterior parts and with the interior parts omitted;
FIG. 16 is a perspective view thereof corresponding to FIG. 7 but showing contour shading to the exterior parts and with the interior parts omitted;
FIG. 17 is a front elevational view corresponding to FIG. 8, but showing contour shading to the exterior parts and with the interior parts omitted; and,
FIG. 18 is a top plan view corresponding to FIG. 9, but showing contour shading to the exterior parts.
The portions of the spinning top toy shown in broken lines form no part of the claimed design.

1 Claim, 18 Drawing Sheets



(56)

References Cited

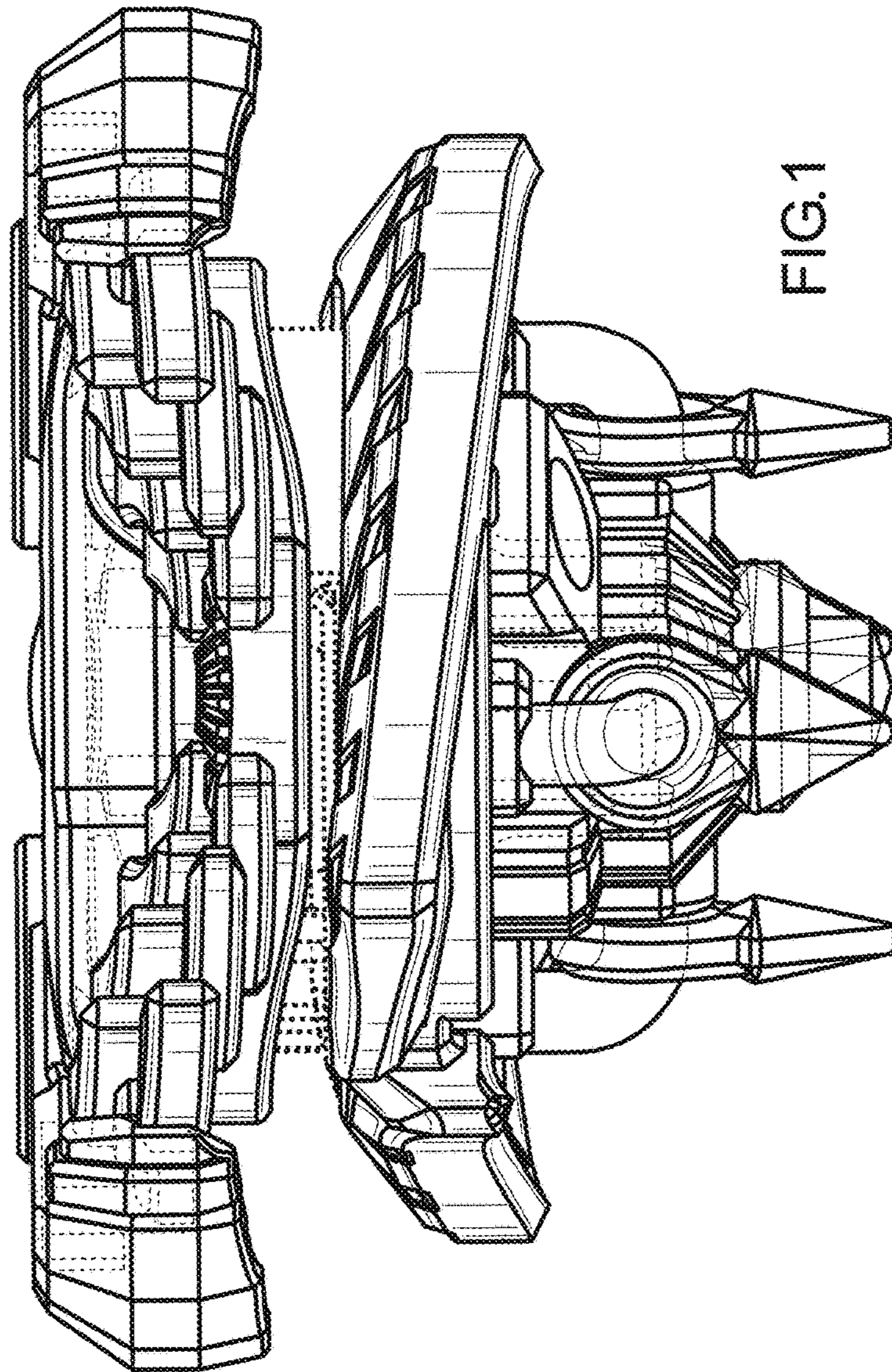
U.S. PATENT DOCUMENTS

D629,468	S	*	12/2010	Ujita	D21/460
D629,469	S	*	12/2010	Nishimoto	D21/460
D646,729	S	*	10/2011	Ujita	D21/460
D662,556	S	*	6/2012	Horikoshi	D21/460
D665,859	S	*	8/2012	Horikoshi	D21/460
D666,252	S	*	8/2012	Ujita	D21/460
D666,253	S	*	8/2012	Ujita	D21/460
D667,894	S	*	9/2012	Horikoshi	D21/460
2010/0159798	A1	*	6/2010	Bertrand	A63H 1/02 446/259
2011/0177750	A1	*	7/2011	Ujita	A63H 1/04 446/263
2014/0302743	A1	*	10/2014	Cai	A63H 1/18 446/256
2015/0017872	A1	*	1/2015	Choi	A63H 1/02 446/259

FOREIGN PATENT DOCUMENTS

CN	302044633	*	8/2012		
CN	302044656	*	8/2012		
CN	302937931	*	9/2014		
CN	303404375	*	10/2015		
CN	303467759	*	11/2015		
CN	303533301	*	12/2015		
JP	3160638	U	*	7/2010 A63H 1/00
JP	D1549782	*	5/2016		

* cited by examiner



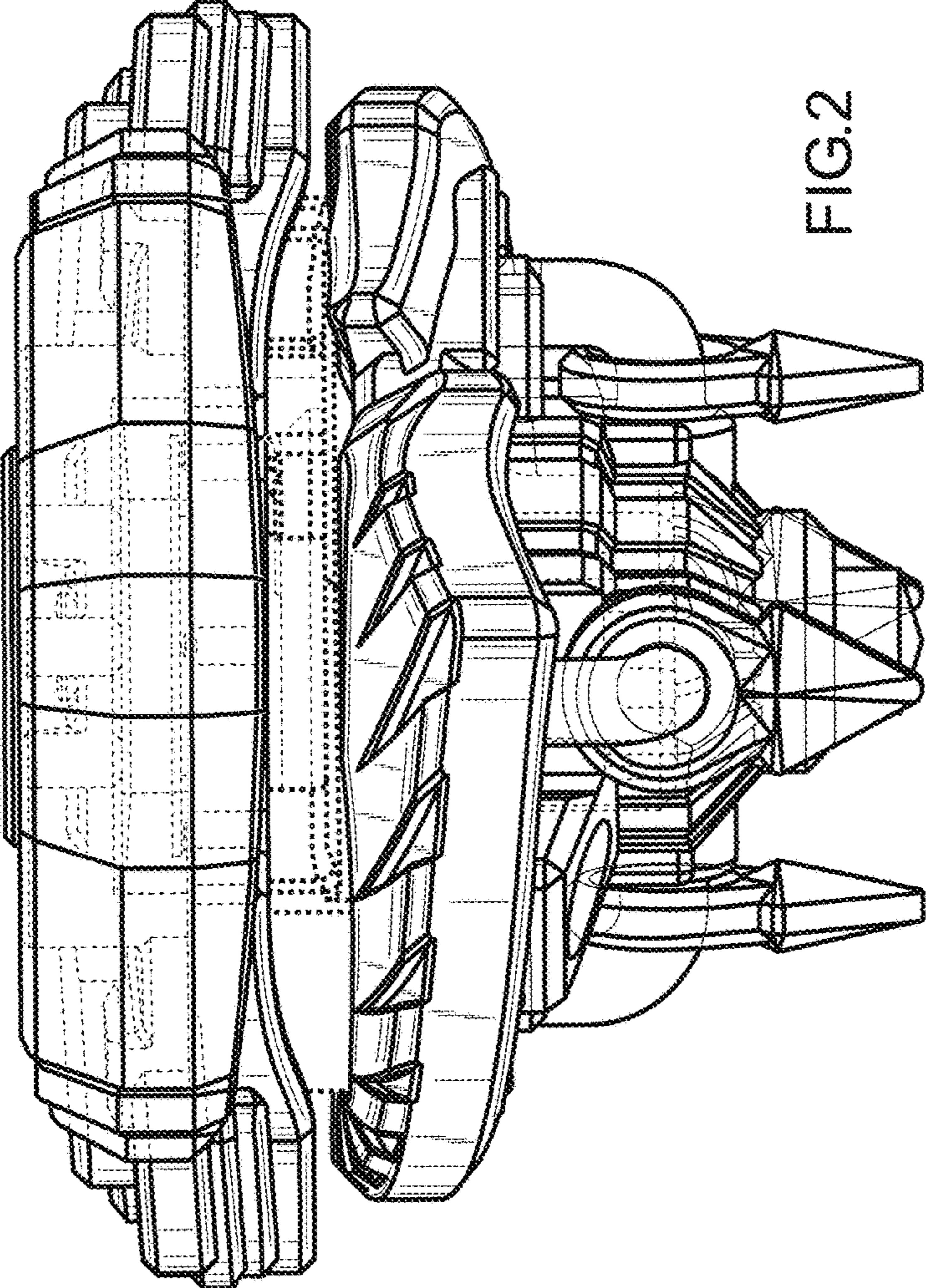


FIG. 2

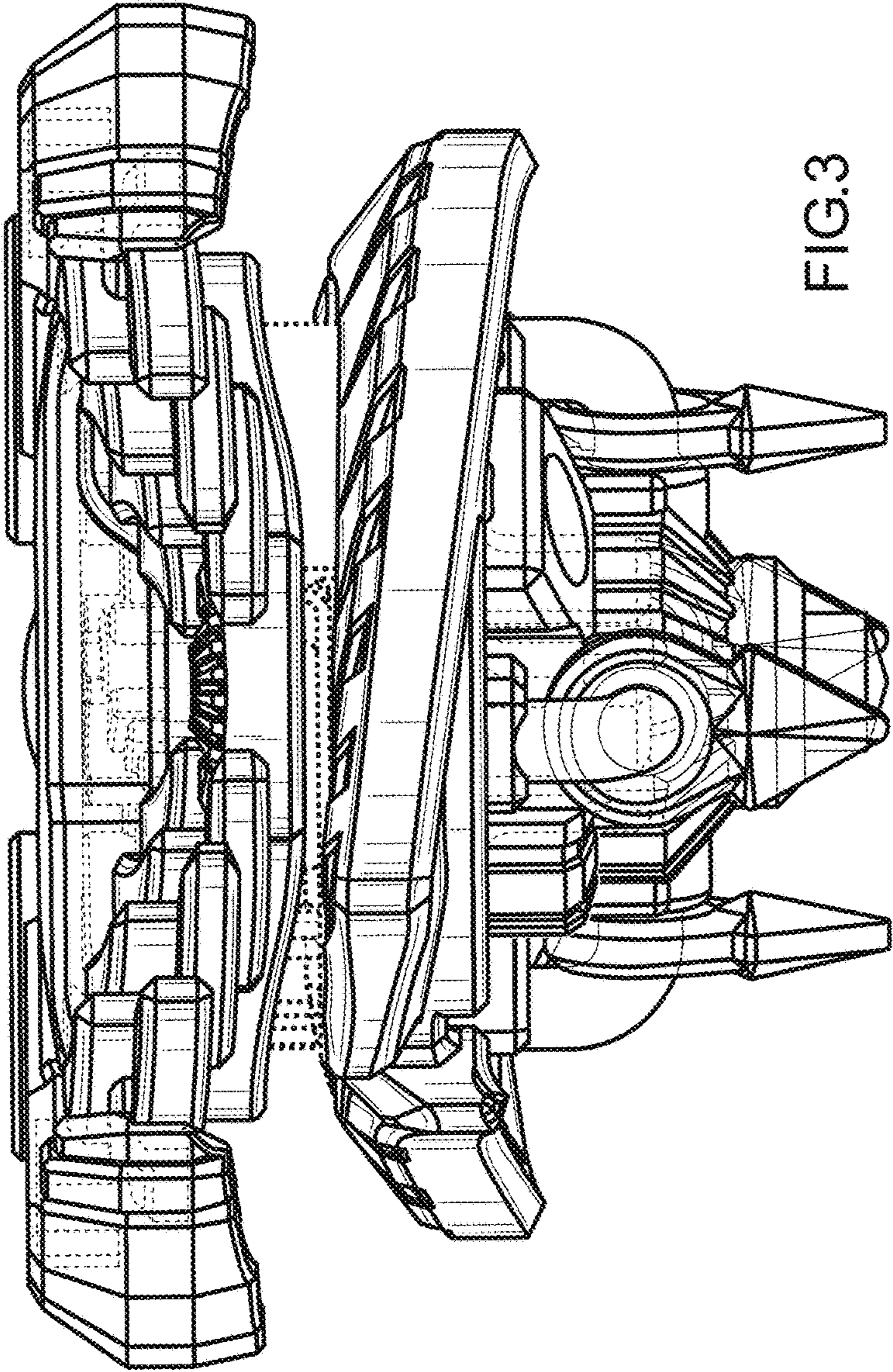
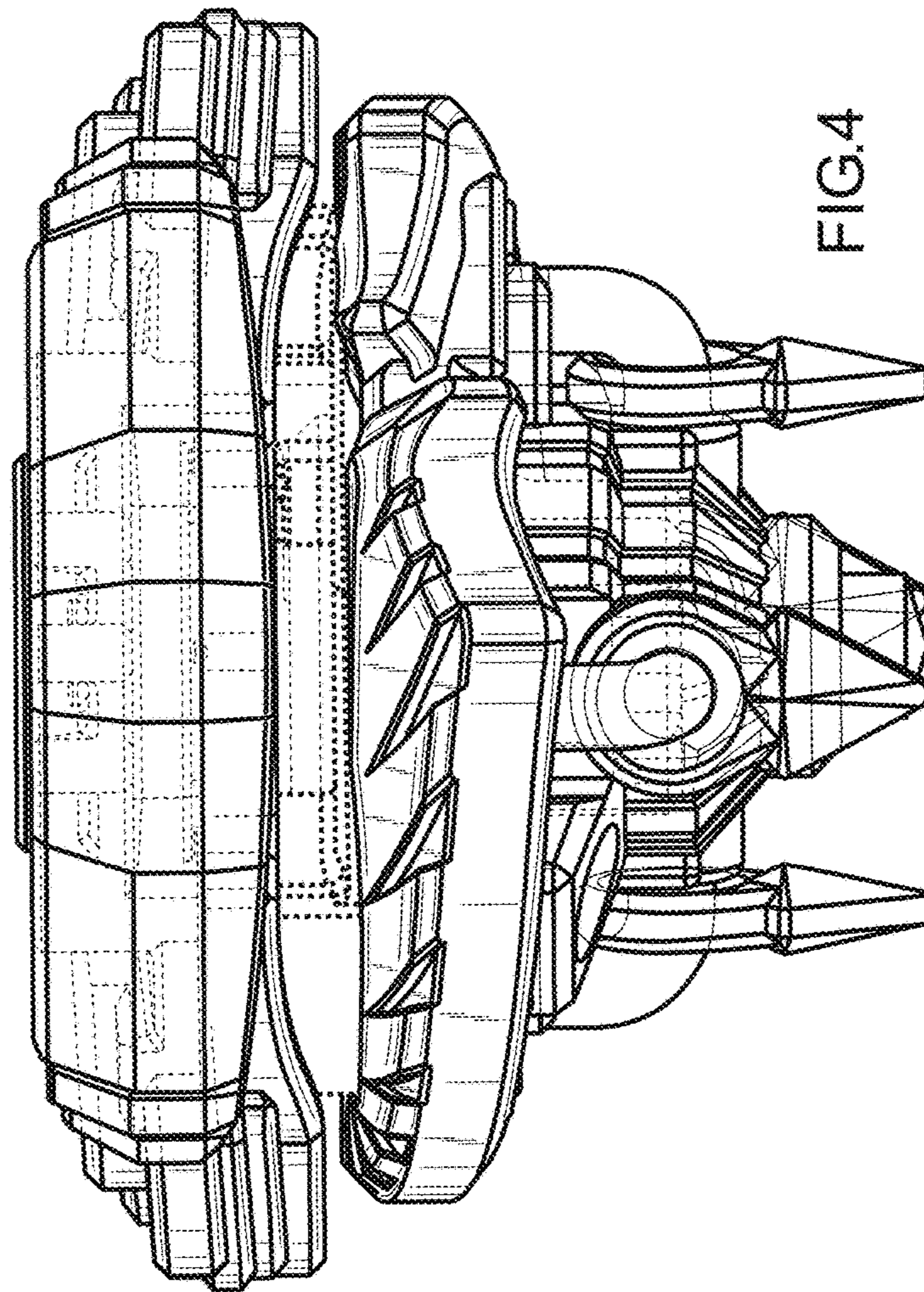


FIG.3



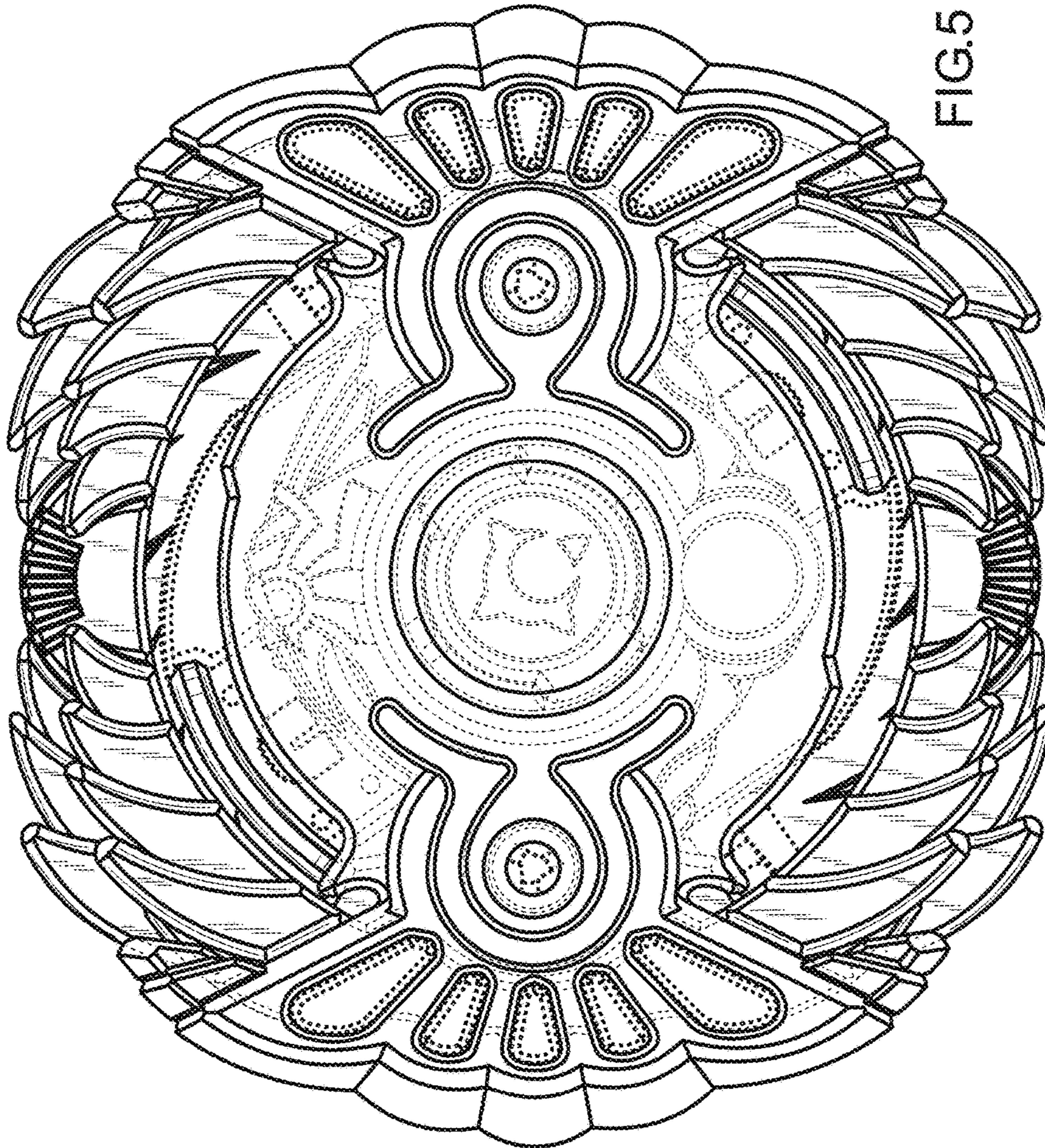


FIG. 5

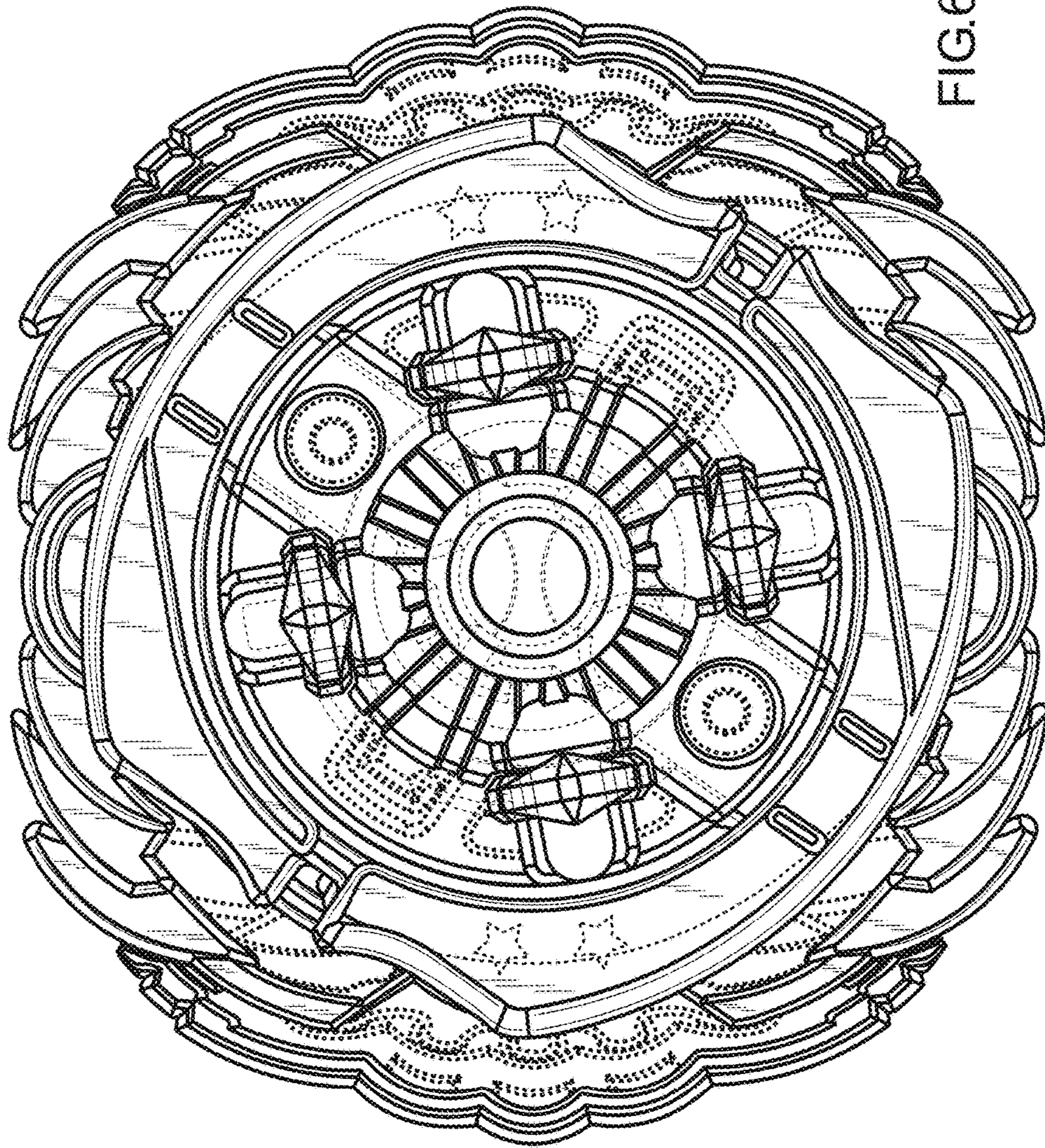


FIG. 6

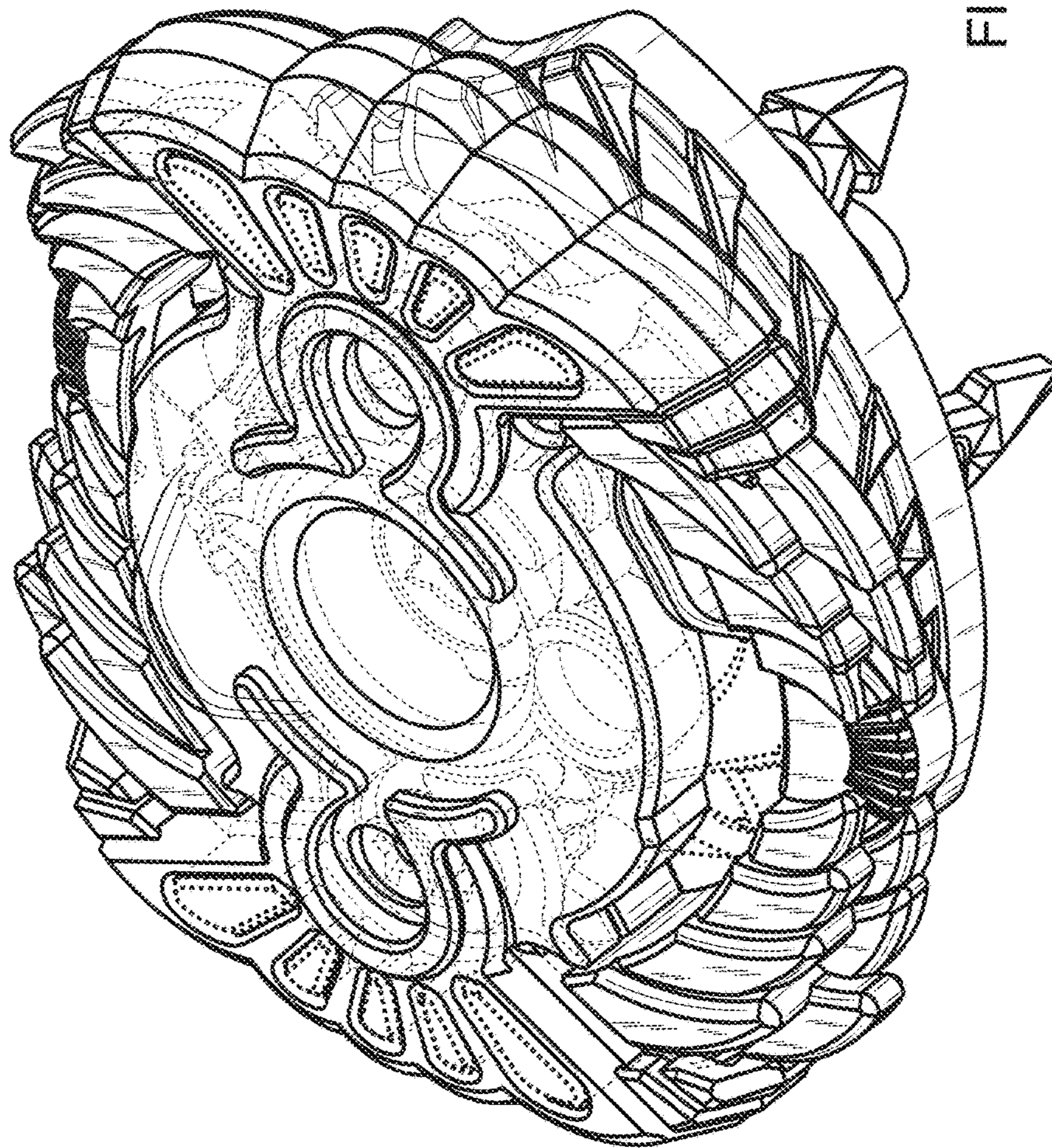


FIG.7

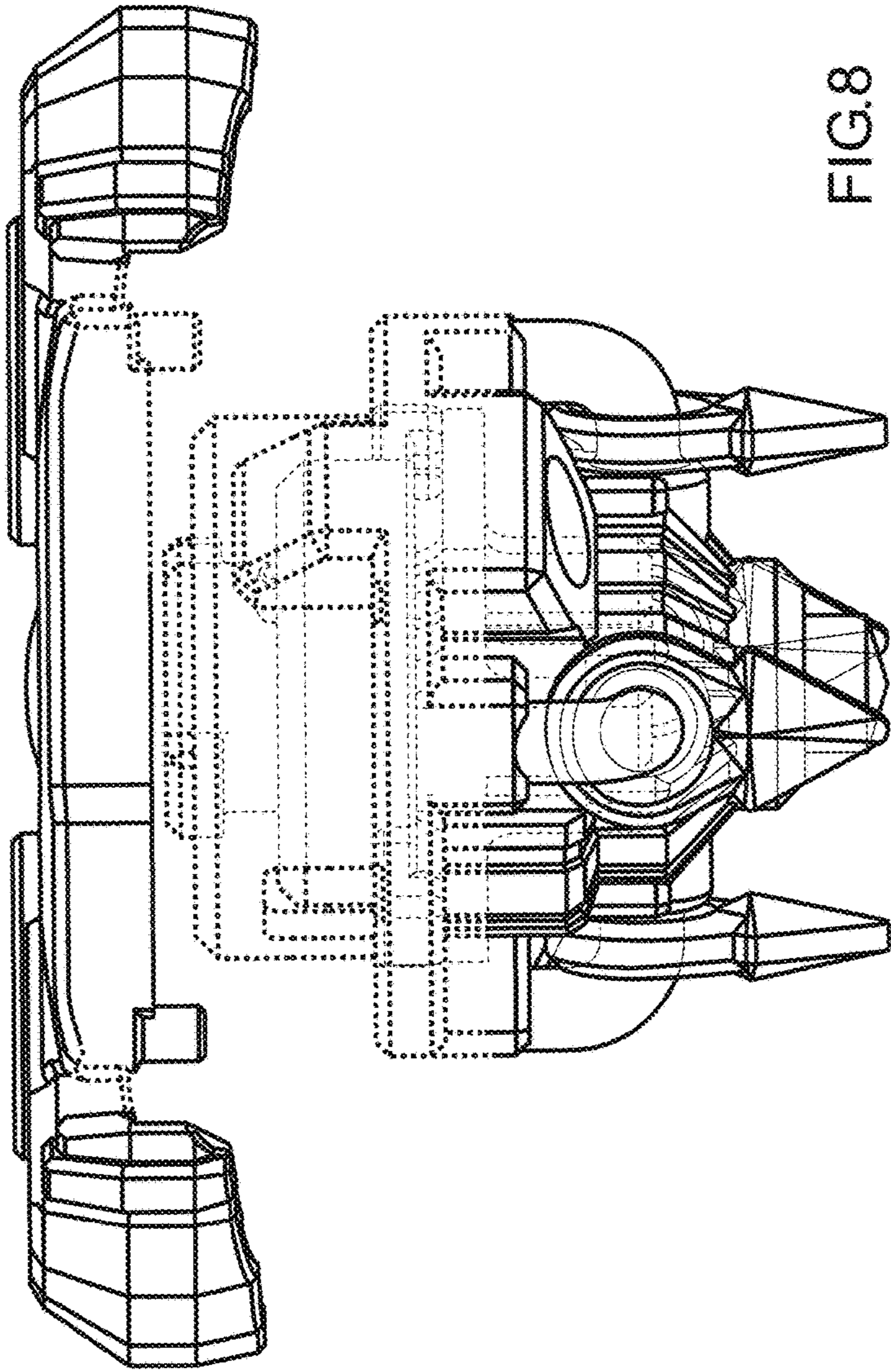


FIG.8

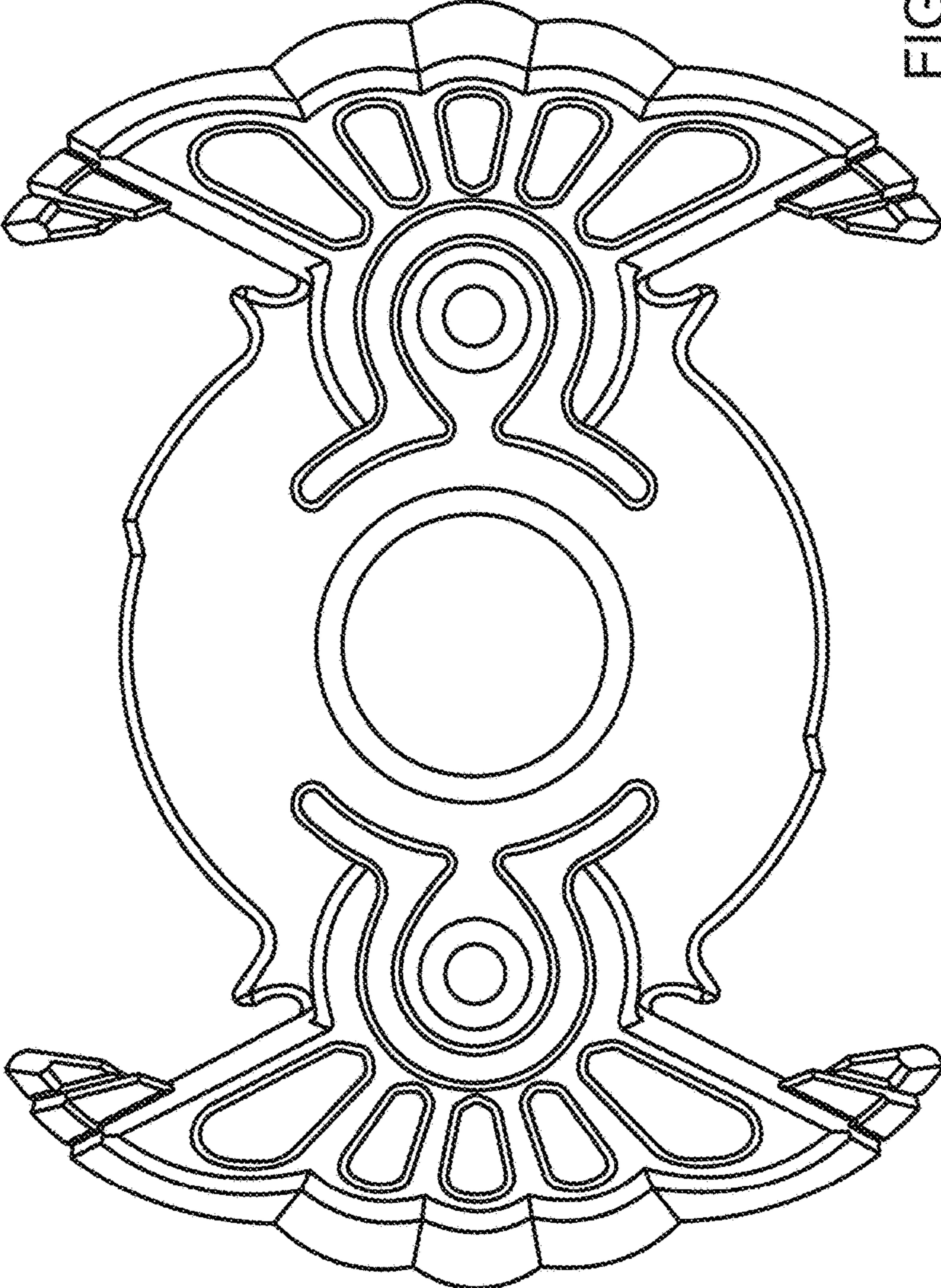


FIG.9

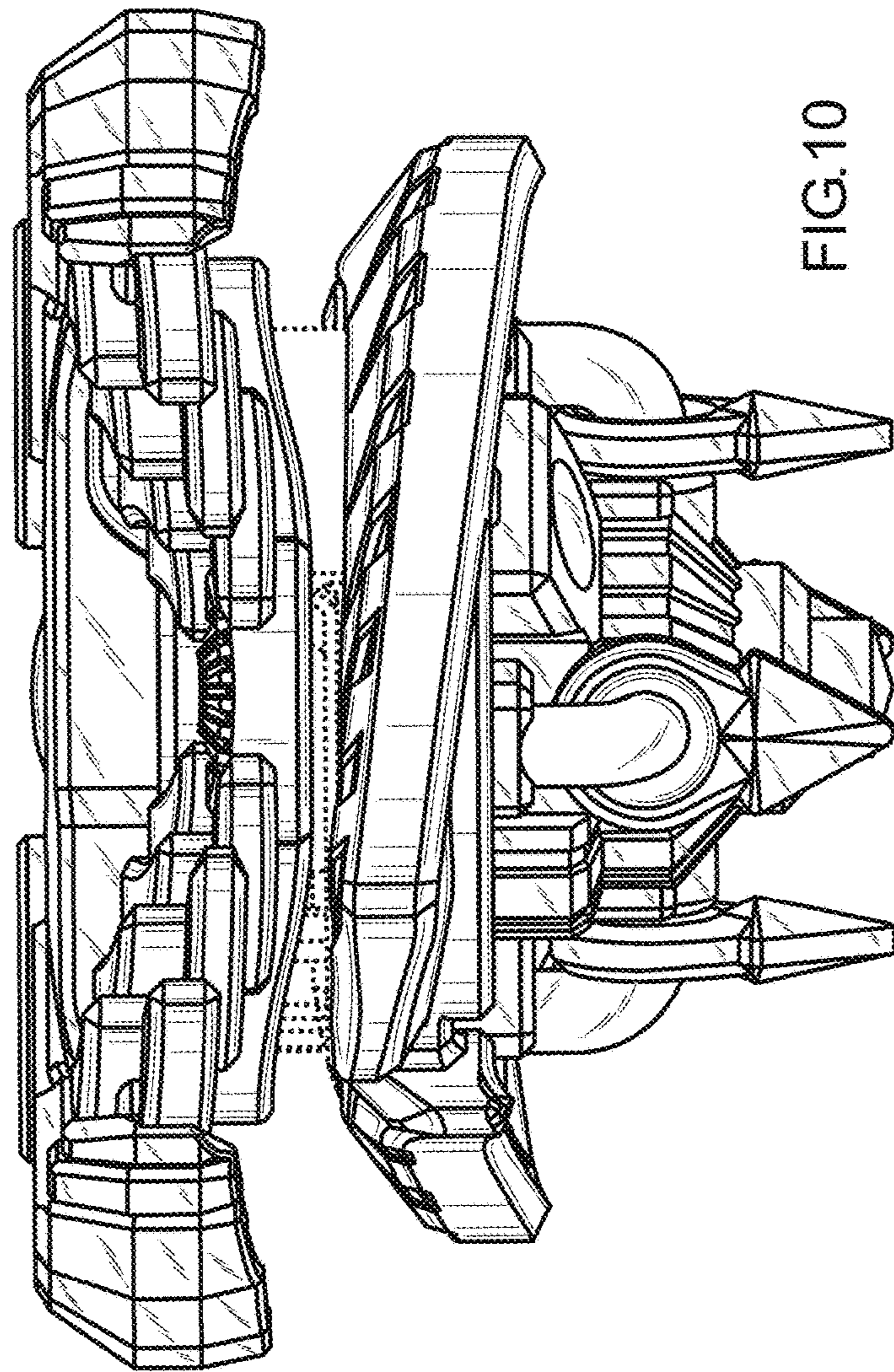
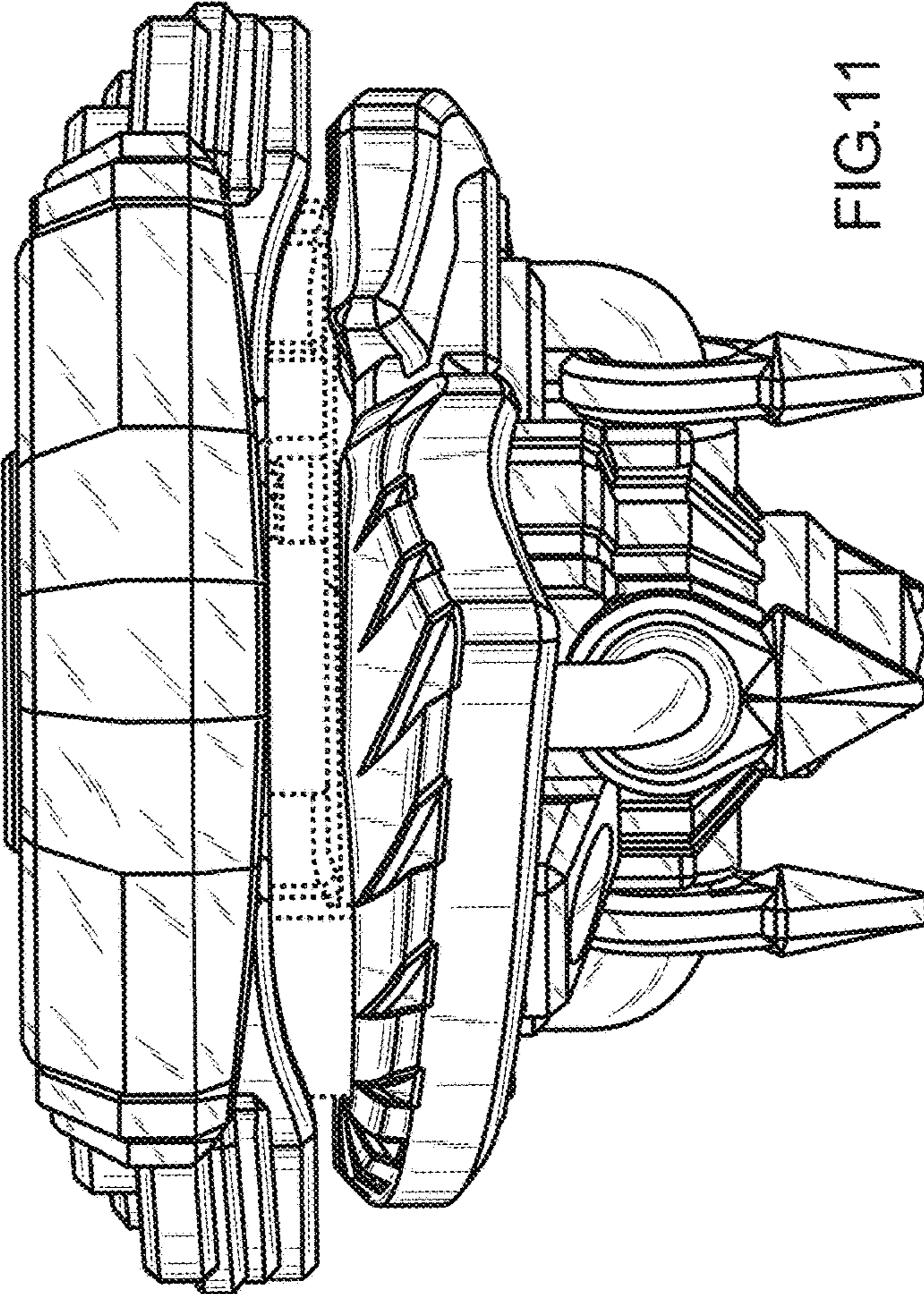


FIG.10



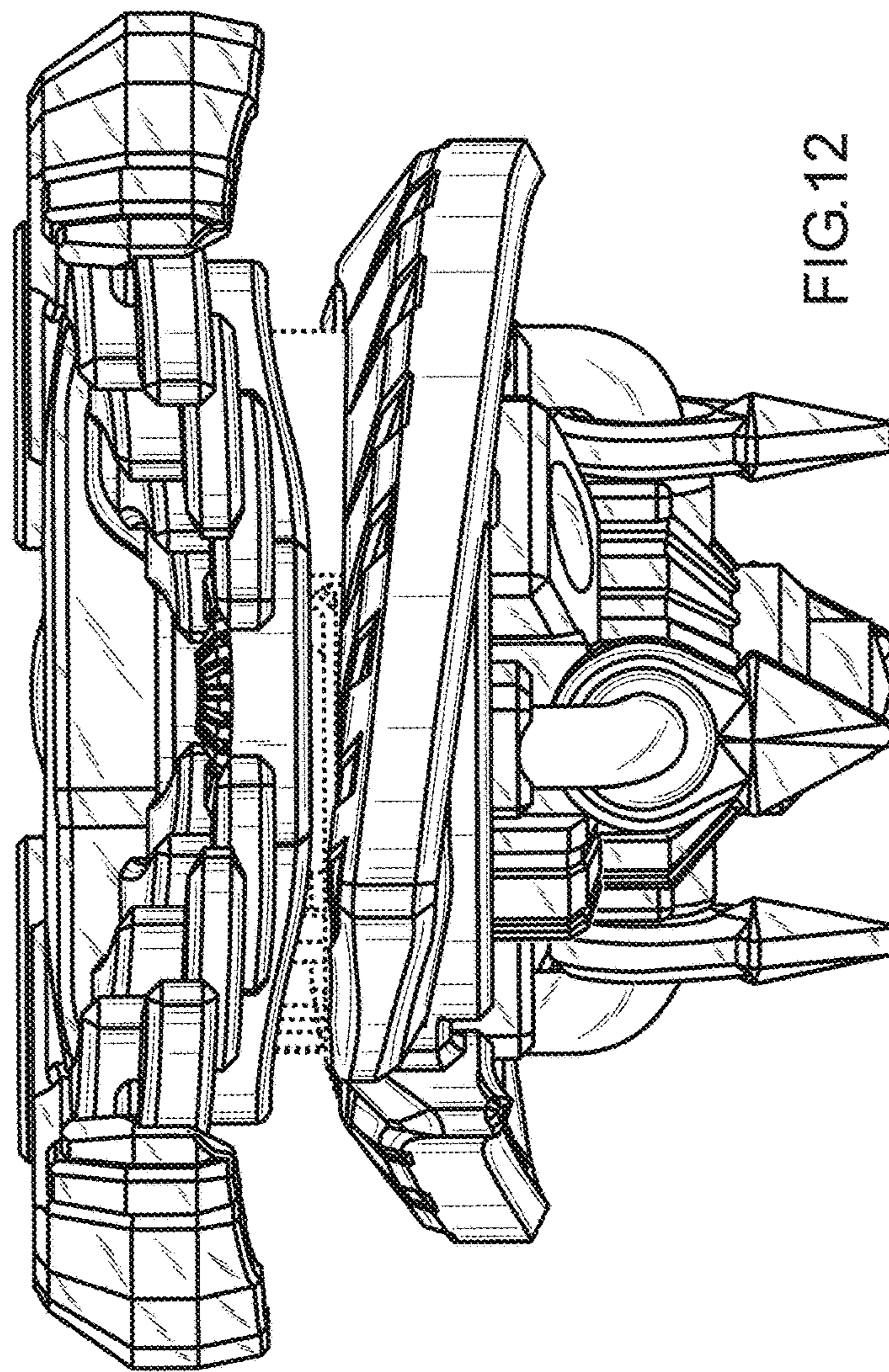
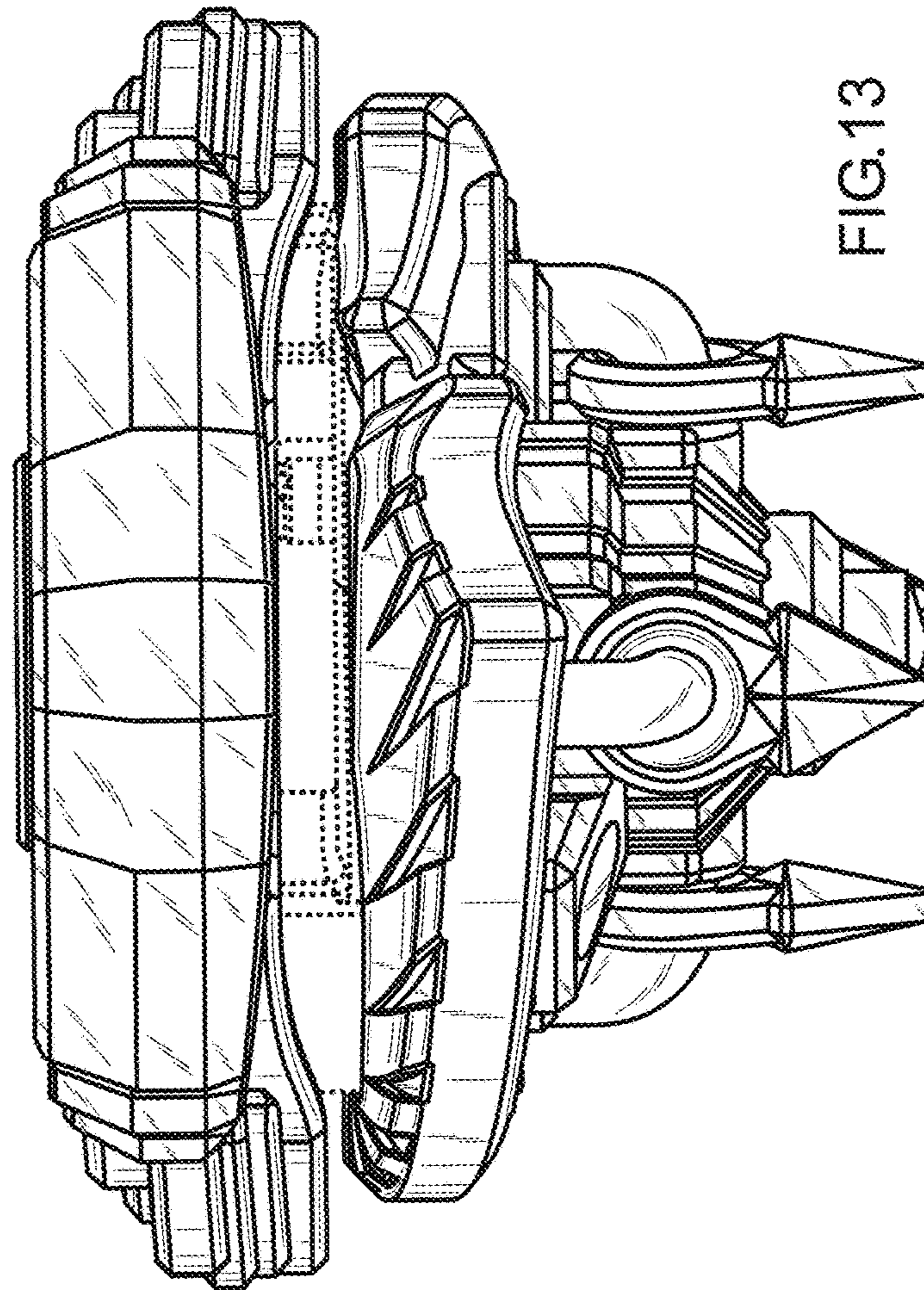


FIG.12



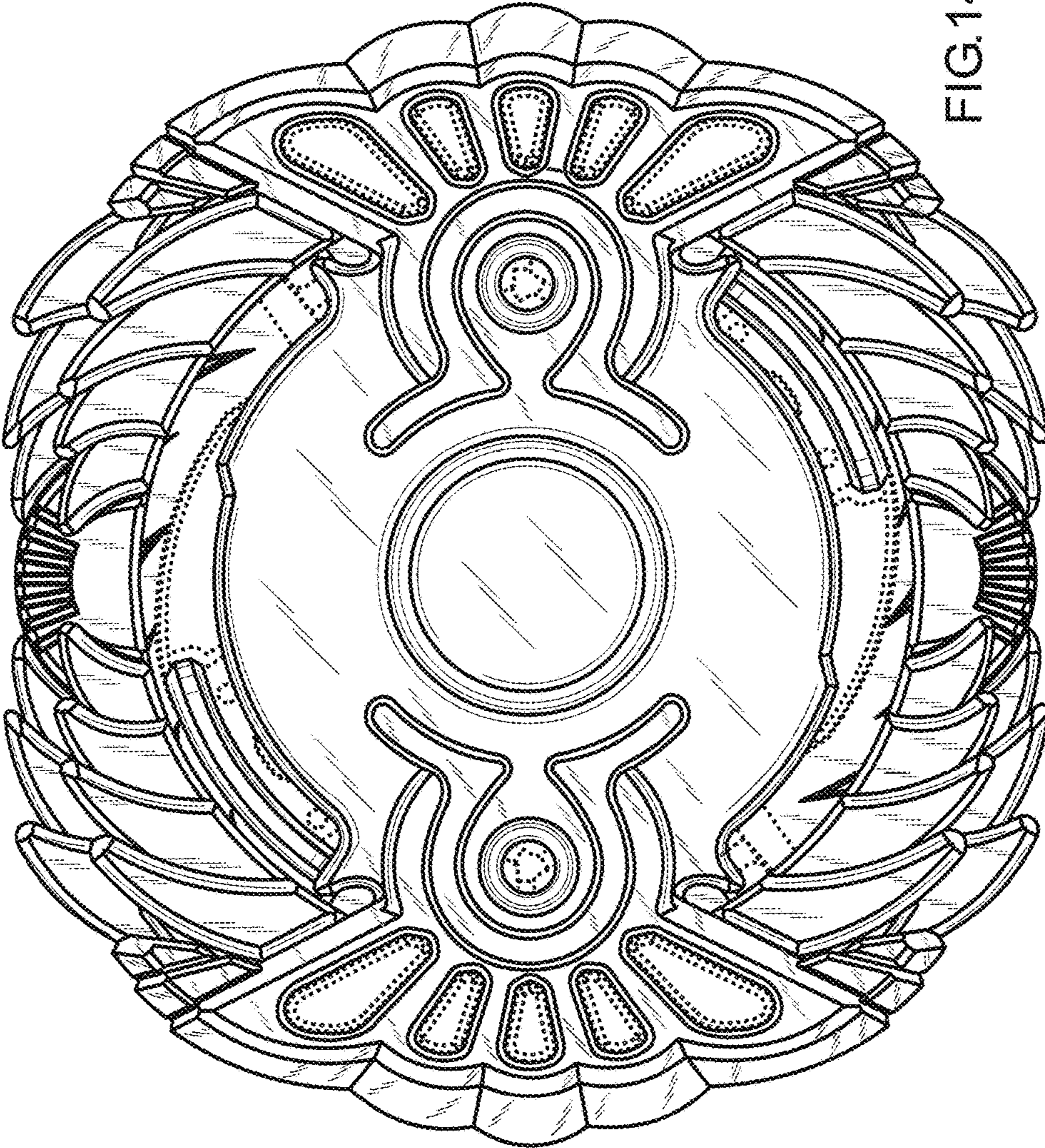


FIG.14

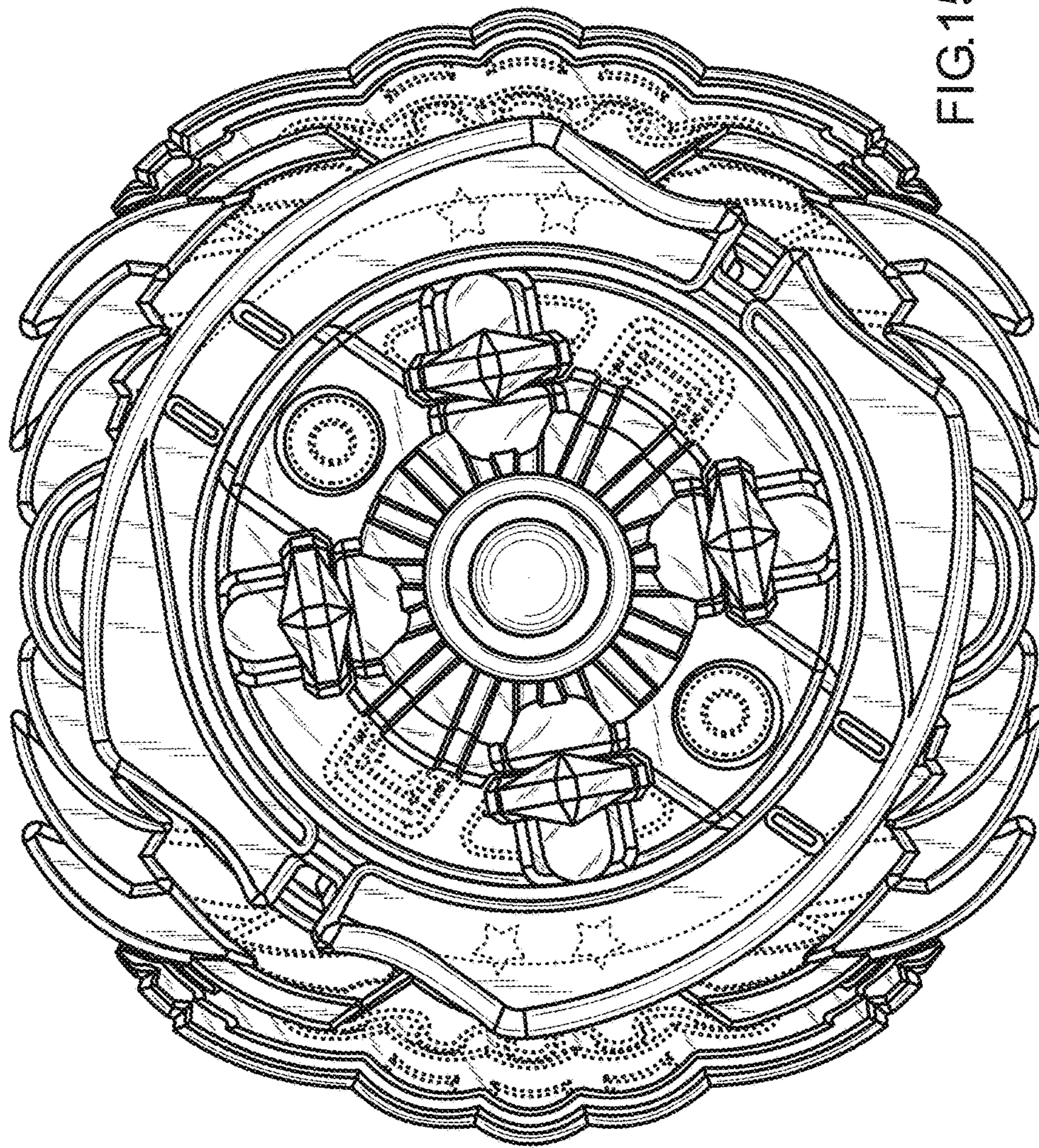


FIG.15

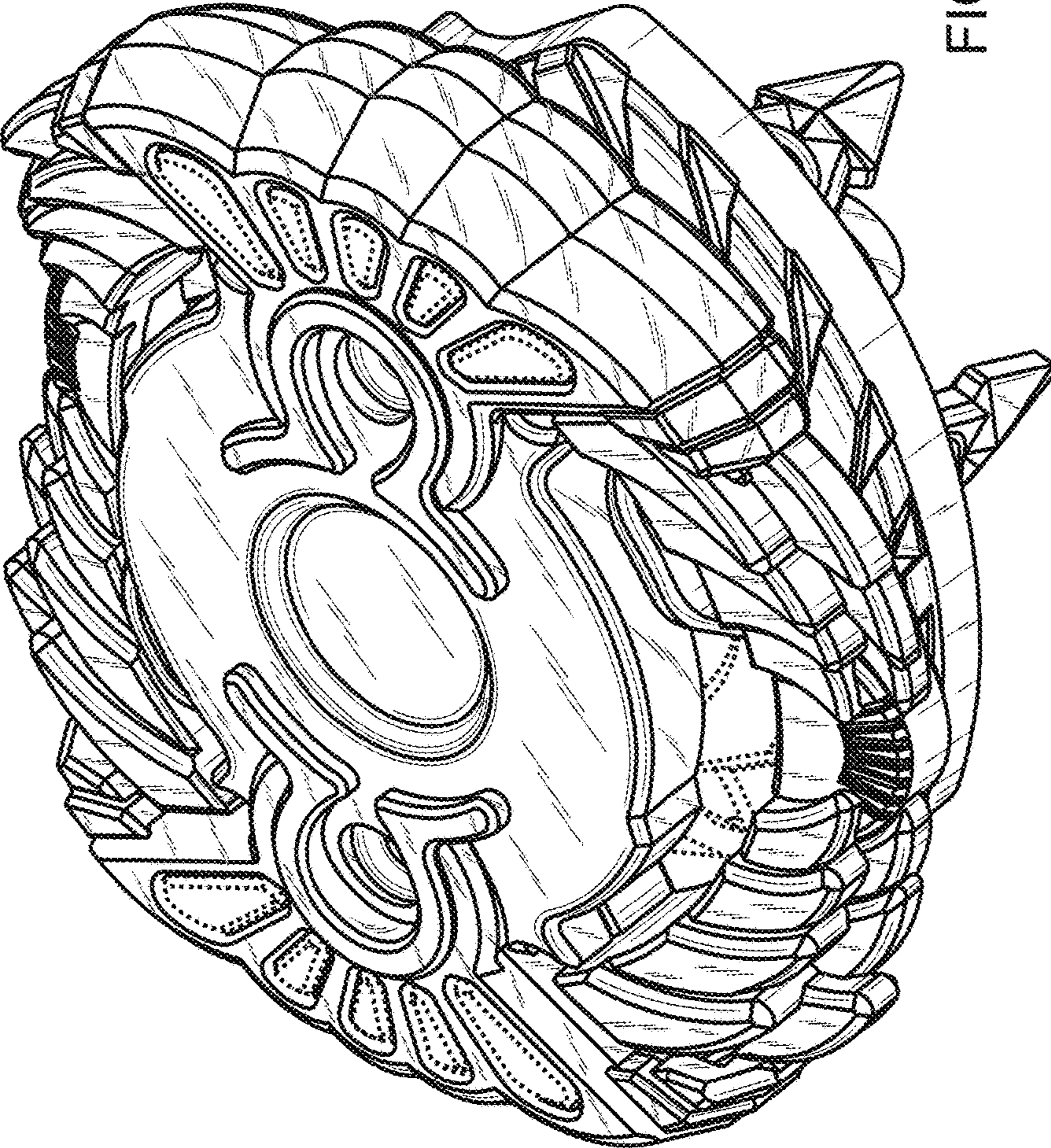


FIG.16

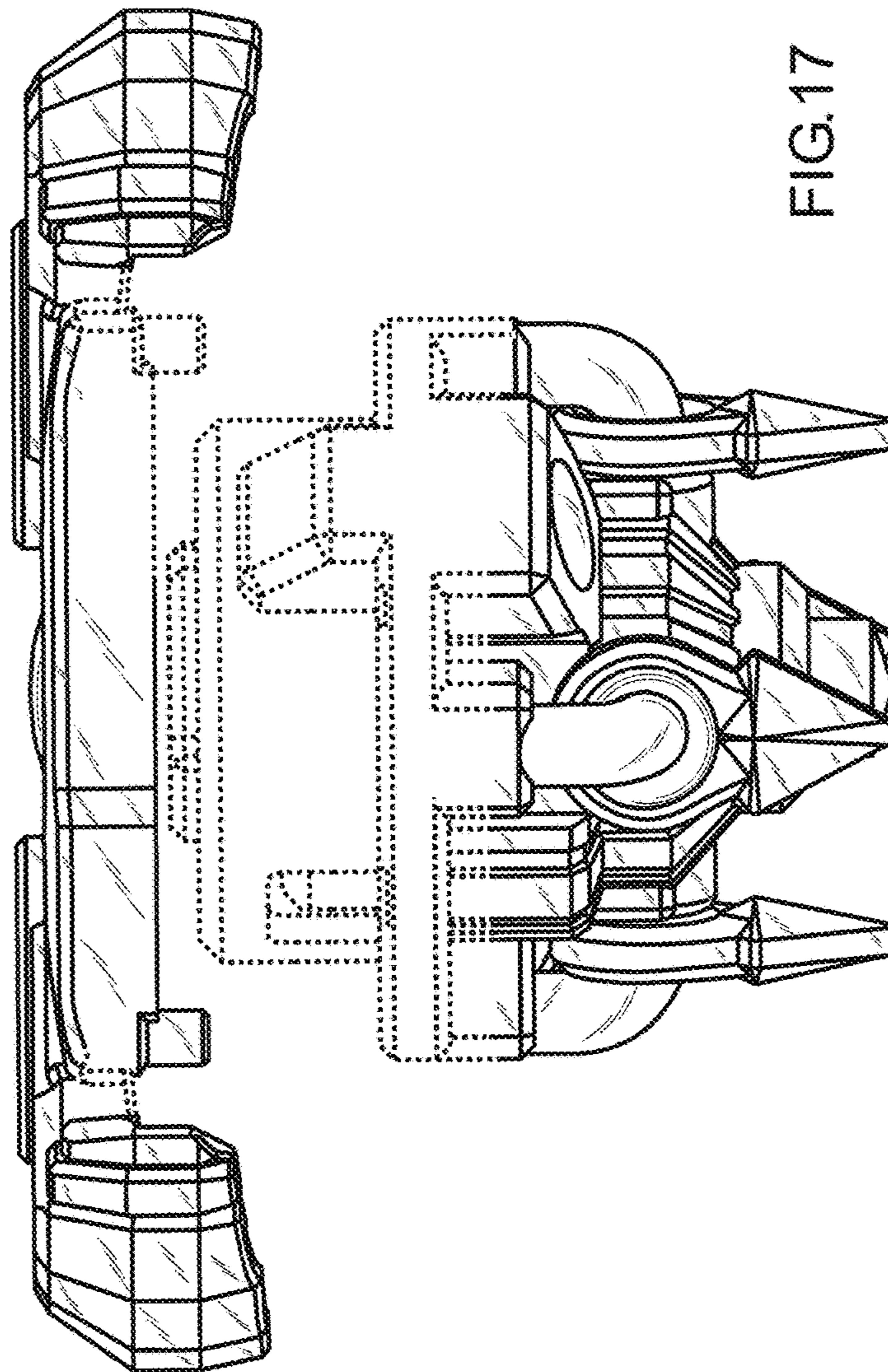


FIG.17

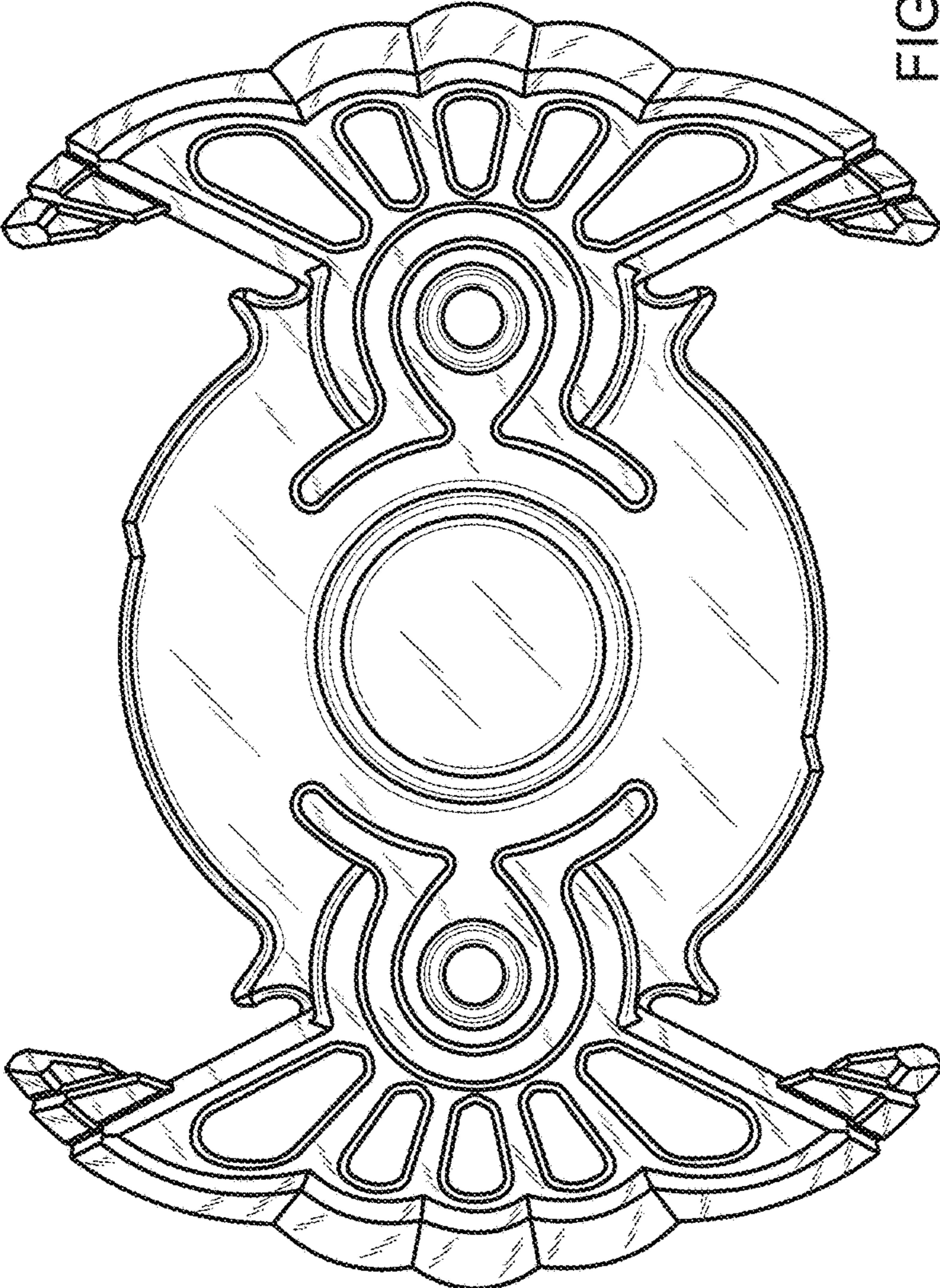


FIG.18