



US00D842930S

(12) **United States Design Patent** (10) **Patent No.:** **US D842,930 S**
Johnson et al. (45) **Date of Patent:** **** *Mar. 12, 2019**

(54) **GAMING DEVICE CABINET**
(71) Applicant: **IGT**, Las Vegas, NV (US)
(72) Inventors: **Charles Walter Johnson**, Reno, NV (US); **Tai Rosander**, Reno, NV (US); **James M. Gray**, Reno, NV (US)
(73) Assignee: **IGT**, Las Vegas, NV (US)
(*) Notice: This patent is subject to a terminal disclaimer.
(**) Term: **15 Years**
(21) Appl. No.: **29/578,486**
(22) Filed: **Sep. 22, 2016**
(51) **LOC (11) Cl.** **21-03**
(52) **U.S. Cl.**
USPC **D21/369**
(58) **Field of Classification Search**
USPC D21/369, 370, 371, 385, 329, 325, 394; D14/307, 172, 129, 325, 401, 371, 126, D14/439, 432, 450, 128, 375, 248, 374, D14/341, 138 G, 127; 463/28, 13, 11, 463/16, 20, 25, 31, 46, 23, 30, 17, 36, 29, 463/42, 34, 32, 35, 19, 21, 22; 273/292, 273/203, 138.2, 143 R, 142 R, 138.1; D19/60; D16/226; D8/335, 331, 334; D26/141; D7/641
CPC G07F 17/32; G07F 17/34; G07F 17/3211; G07F 17/3244; G07F 17/3267
See application file for complete search history.

D378,224 S 2/1997 Brettschneider
D378,534 S 3/1997 Kato et al.
D378,604 S 3/1997 Brettschneider
D378,929 S 4/1997 Brettschneider
D381,697 S 7/1997 Brettschneider
D381,698 S 7/1997 Brettschneider
D381,699 S 7/1997 Brettschneider
D381,700 S 7/1997 Brettschneider
D395,129 S 6/1998 Johnson
D395,463 S 6/1998 Scott et al.
(Continued)

OTHER PUBLICATIONS

Picture of Bally "Wave" Gaming Machine Cabinet, Available Before Sep. 22, 2016 (1 page).
(Continued)

Primary Examiner — Ryan Harvey
(74) *Attorney, Agent, or Firm* — Neal, Gerber & Eisenberg LLP

(57) **CLAIM**

The ornamental design for a gaming device cabinet, as shown and described herein.

DESCRIPTION

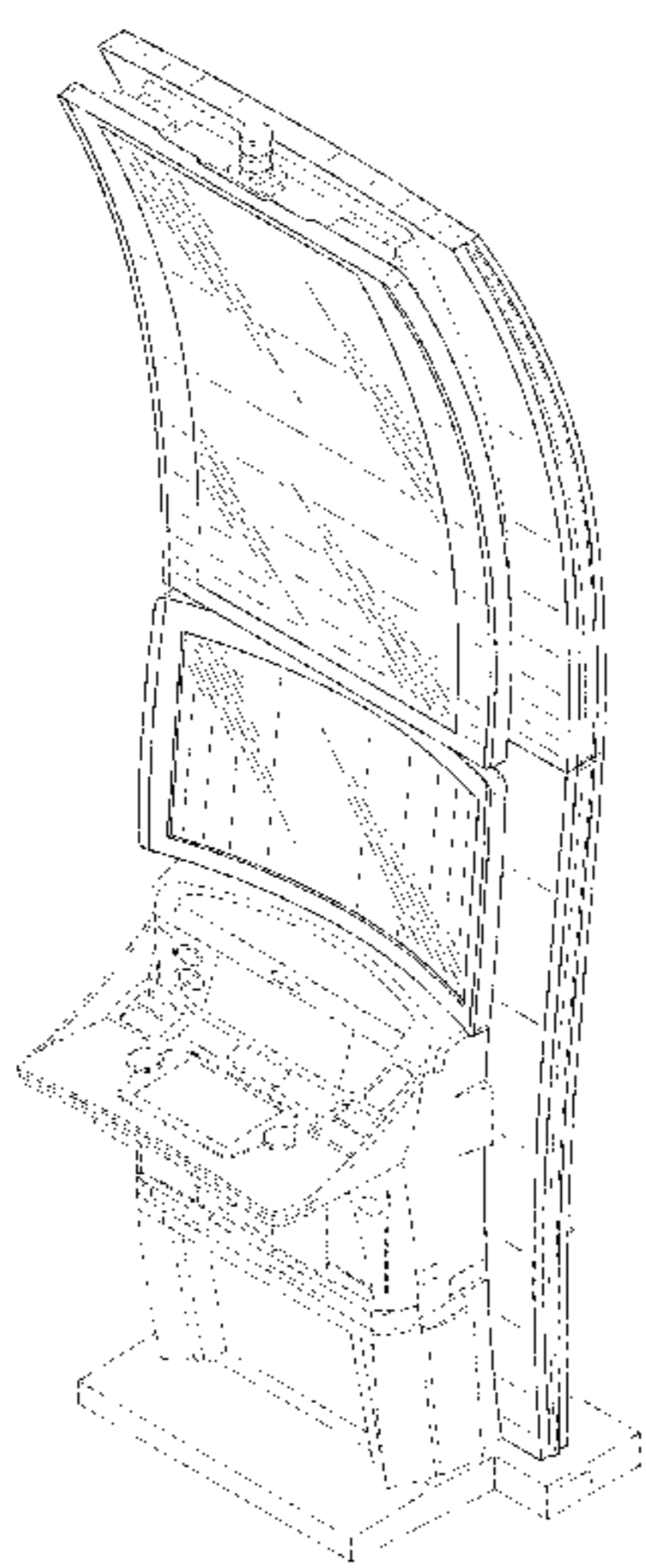
FIG. 1 is a front perspective view of the gaming device cabinet of our new design.
FIG. 2 is a front view of the gaming device cabinet of our new design.
FIG. 3 is a back view of the gaming device cabinet of our new design.
FIG. 4 is a left side view of the gaming device cabinet of our new design illustrated in FIG. 1.
FIG. 5 is a right side view of the gaming device cabinet of our new design illustrated in FIG. 1; and,
FIG. 6 is a top view of the gaming device cabinet of our new design illustrated in FIG. 1.
Those portions shown in phantom are for environmental purposes only.

1 Claim, 6 Drawing Sheets

(56) **References Cited**

U.S. PATENT DOCUMENTS

D335,401 S 5/1993 Nations
5,267,775 A 12/1993 Nguyen
D344,505 S 2/1994 Traldi
D357,468 S 4/1995 Rodd
5,584,763 A 12/1996 Kelly et al.



(56)

References Cited

U.S. PATENT DOCUMENTS

5,807,177 A 9/1998 Takemoto et al.
 D401,973 S 12/1998 Isshiki et al.
 D408,458 S 4/1999 Hempel
 5,890,962 A 4/1999 Takemoto
 5,934,672 A 8/1999 Sines et al.
 5,951,397 A 9/1999 Dickinson
 D415,768 S 10/1999 Howell
 6,004,208 A 12/1999 Takemoto et al.
 D422,568 S 4/2000 Brunetti
 6,068,552 A 5/2000 Walker et al.
 6,135,884 A 10/2000 Hedrick et al.
 6,164,645 A 12/2000 Weiss
 D436,999 S 1/2001 Cronley
 6,190,255 B1 2/2001 Thomas et al.
 6,210,279 B1 4/2001 Dickinson
 6,270,410 B1 8/2001 De Mar et al.
 6,302,790 B1 10/2001 Brossard
 D452,712 S 1/2002 Kim
 6,334,612 B1 1/2002 Wurz et al.
 D453,754 S 2/2002 Petersen
 6,443,837 B1 9/2002 Jaffe et al.
 6,475,087 B1 11/2002 Cole
 6,620,047 B1 9/2003 Alcorn et al.
 D548,287 S 8/2007 Yamanaka et al.
 D551,184 S 9/2007 Kanou et al.
 D557,349 S 12/2007 Linard et al.
 D622,780 S * 8/2010 Lesley D21/369
 D622,781 S * 8/2010 Lesley D21/369
 D646,336 S 10/2011 Kelly et al.
 D646,337 S 10/2011 Kelly et al.
 D658,615 S 5/2012 Chiu
 8,228,668 B2 7/2012 Asamarai et al.
 D678,955 S * 3/2013 Lesley D21/385
 D678,956 S * 3/2013 Lesley D21/385
 D678,957 S * 3/2013 Cesaroni D21/385

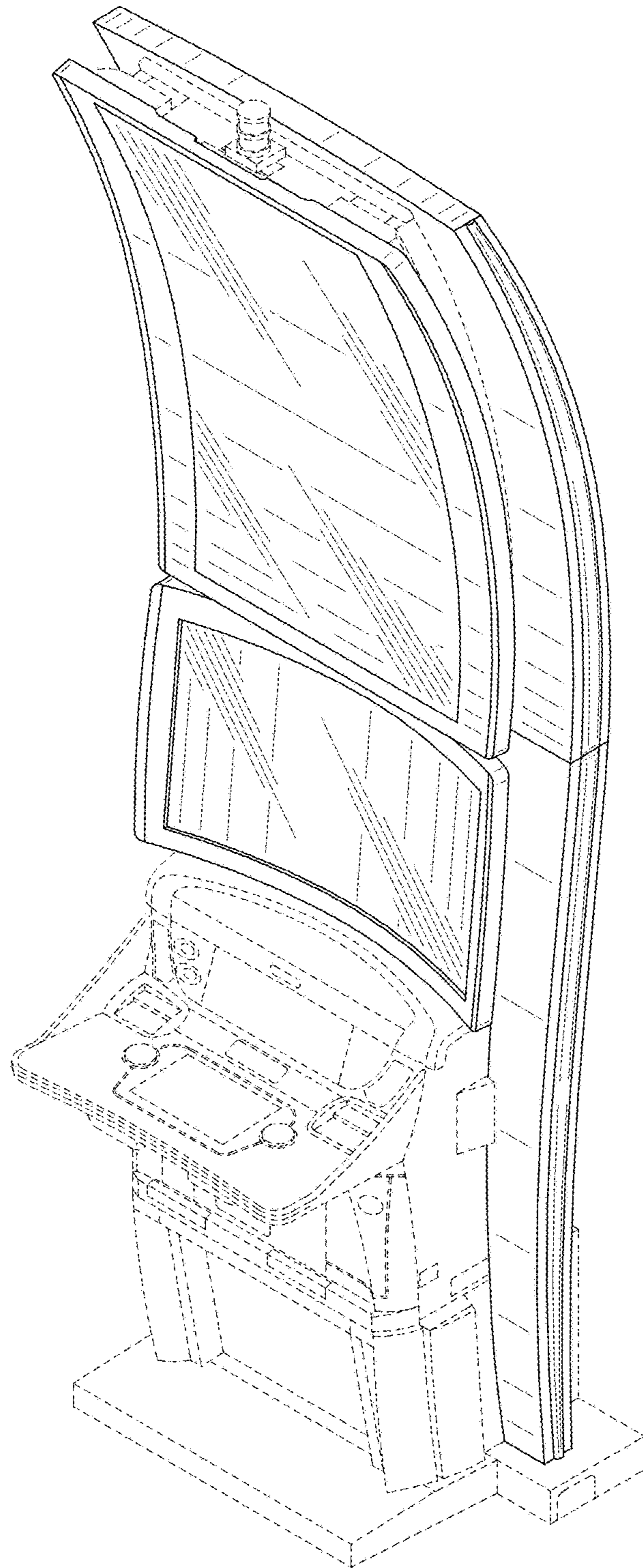
D678,958 S * 3/2013 Cesaroni D21/385
 D681,130 S * 4/2013 Lesley D21/385
 D682,948 S * 5/2013 Cesaroni D21/385
 D691,666 S * 10/2013 Lesley D21/370
 D704,275 S * 5/2014 Lesley D21/370
 D706,741 S * 6/2014 Myers D14/172
 D714,875 S 10/2014 Wudtke et al.
 D715,364 S 10/2014 Wudtke et al.
 D723,626 S 3/2015 Vasquez et al.
 D732,015 S 6/2015 Alekhin
 D732,520 S * 6/2015 Themann D14/307
 D740,888 S * 10/2015 DePalma D21/370
 D742,975 S * 11/2015 Myers D21/370
 RE46,169 E 10/2016 Kelly et al.
 D808,354 S * 1/2018 Castro D14/127
 2008/0034631 A1 2/2008 Kim et al.
 2016/0093143 A1 * 3/2016 Lamb G07F 17/3213
 463/20
 2016/0364946 A1 * 12/2016 Castro G07F 17/3216
 2016/0371919 A1 12/2016 Wells et al.
 2017/0039803 A1 * 2/2017 Lesley G07F 17/3216
 2017/0092052 A1 * 3/2017 McKay G07F 17/3216

OTHER PUBLICATIONS

Scientific Games—“Bally Pro Wave 360^o™” Article, Casino Enterprise Management, May 2015, vol. 13, Issue 5, p. 36.
 IGT—“Bejeweled™ 3D” Article, Casino Enterprise Management, May 2015, vol. 13, Issue 5, p. 36.
 Picture of IGT “Crystal Core” Gaming Machine Cabinet, Available Before Sep. 22, 2016 (1 page).
 Picture of “Novomatic Dominator” Gaming Machine Cabinet, Available Before Sep. 22, 2016 (1 page).
 “Aristocrat’s Arc™” Advertisement, Casino Enterprise Management, Jun. 2015, vol. 13, Issue 6, p. 11.
 Picture of “Aristocrat’s Arc” Gaming Machine Cabinet, Available Before Sep. 22, 2016 (1 page).

* cited by examiner

FIG. 1



Application No.: 29/578,486
Amendment Dated August 23, 2018
Response to Office Action of May 29, 2018
Replacement Sheet 2 of 6

FIG. 2

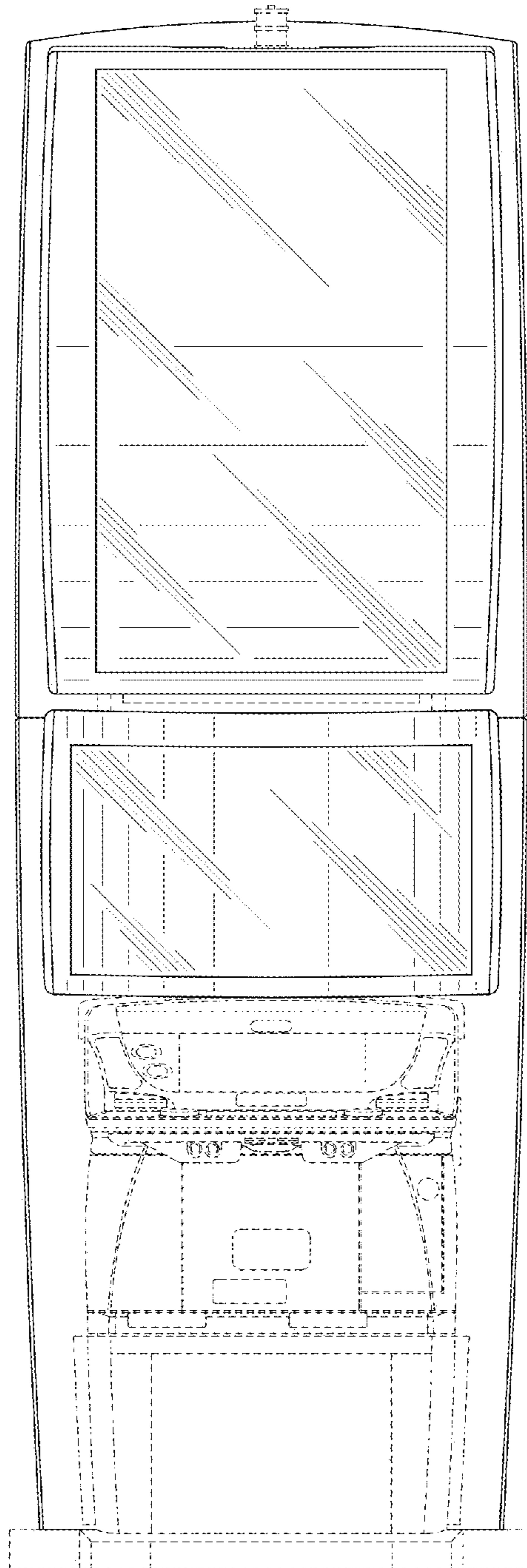


FIG. 3

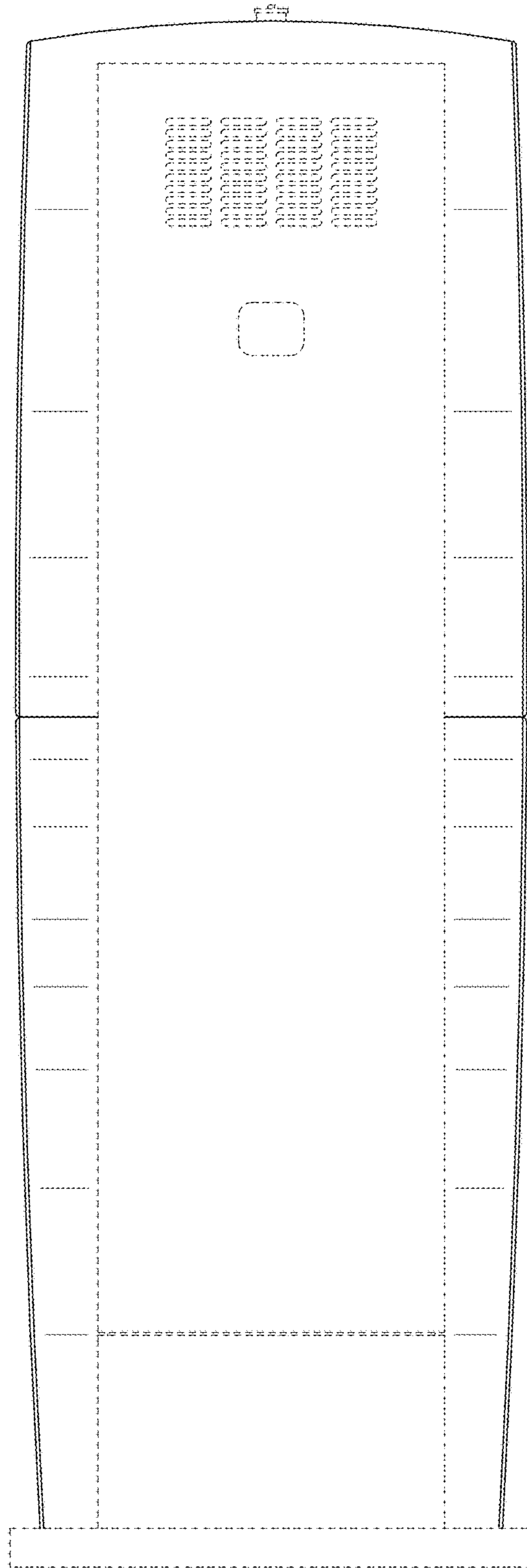


FIG. 4

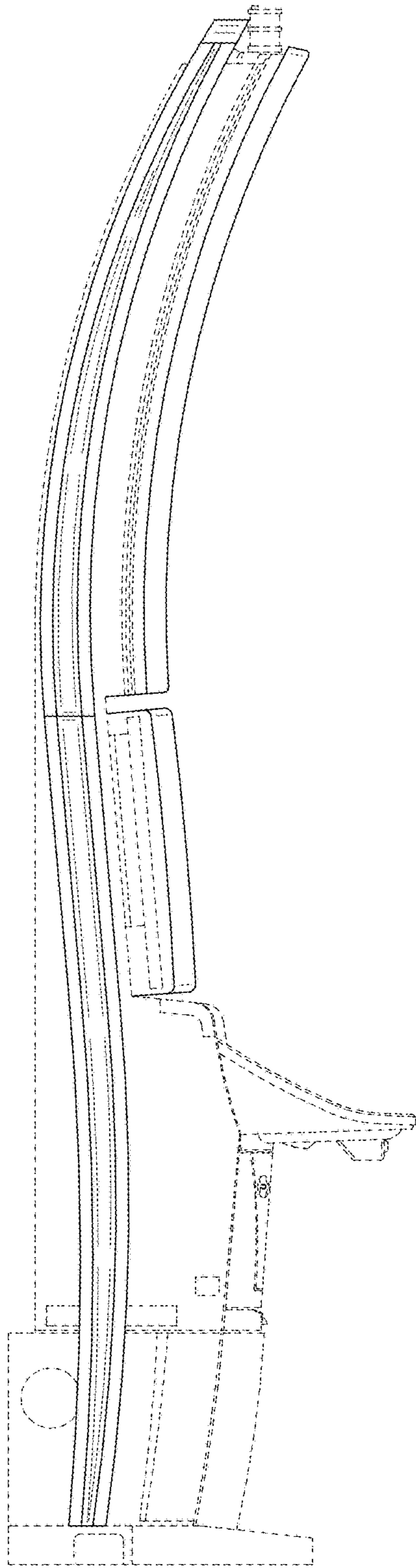


FIG. 5

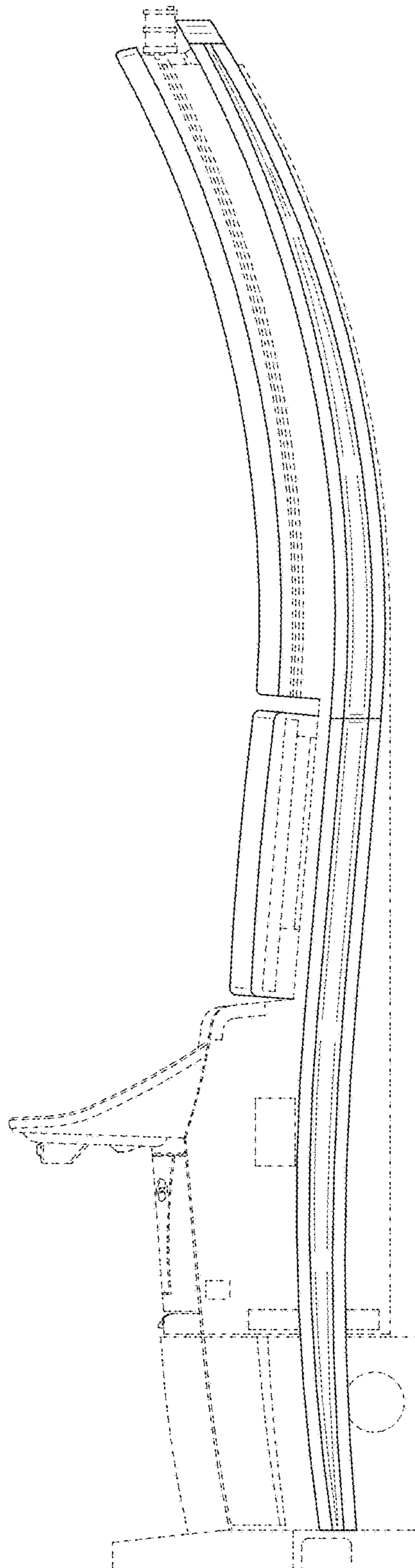


FIG. 6

