



US00D842926S

(12) **United States Design Patent**
Takagiwa

(10) **Patent No.:** **US D842,926 S**
(45) **Date of Patent:** **** Mar. 12, 2019**

- (54) **INK CARTRIDGE**
- (71) Applicant: **BROTHER INDUSTRIES, LTD.**,
Nagoya-shi, Aichi-ken (JP)
- (72) Inventor: **Yutaka Takagiwa**, Kariya (JP)
- (73) Assignee: **BROTHER INDUSTRIES, LTD.**,
Nagoya (JP)
- (**) Term: **15 Years**
- (21) Appl. No.: **29/575,891**
- (22) Filed: **Aug. 30, 2016**
- (30) **Foreign Application Priority Data**
Mar. 7, 2016 (JP) 2016-5100
- (51) **LOC (11) Cl.** **18-02**
- (52) **U.S. Cl.**
USPC **D18/56**
- (58) **Field of Classification Search**
USPC D14/471, 483, 484; D18/12, 18, 36, 40,
D18/43, 44, 56, 58, 99
CPC . B41J 2/17; B41J 2/1721; B41J 2/1572; B41J
2/1754; B41J 2/17503; B41J 2/17553;
B41J 2/17556; B41J 2/16547
See application file for complete search history.

- D709,127 S * 7/2014 Boyd D18/56
- 8,985,754 B2 * 3/2015 Nariai B41J 2/2107
106/403
- 9,555,637 B2 * 1/2017 Kumagai B41J 2/1752
- 2008/0151018 A1 * 6/2008 Aoki B41J 2/17513
347/86

OTHER PUBLICATIONS

U.S. Appl. No. 29/509,235, filed Nov. 14, 2014.
U.S. Appl. No. 29/520,248, filed Mar. 12, 2015.

* cited by examiner

Primary Examiner — Kevin K Rudzinski
Assistant Examiner — Richard Kearney
(74) *Attorney, Agent, or Firm* — Oliff PLC

(57) **CLAIM**

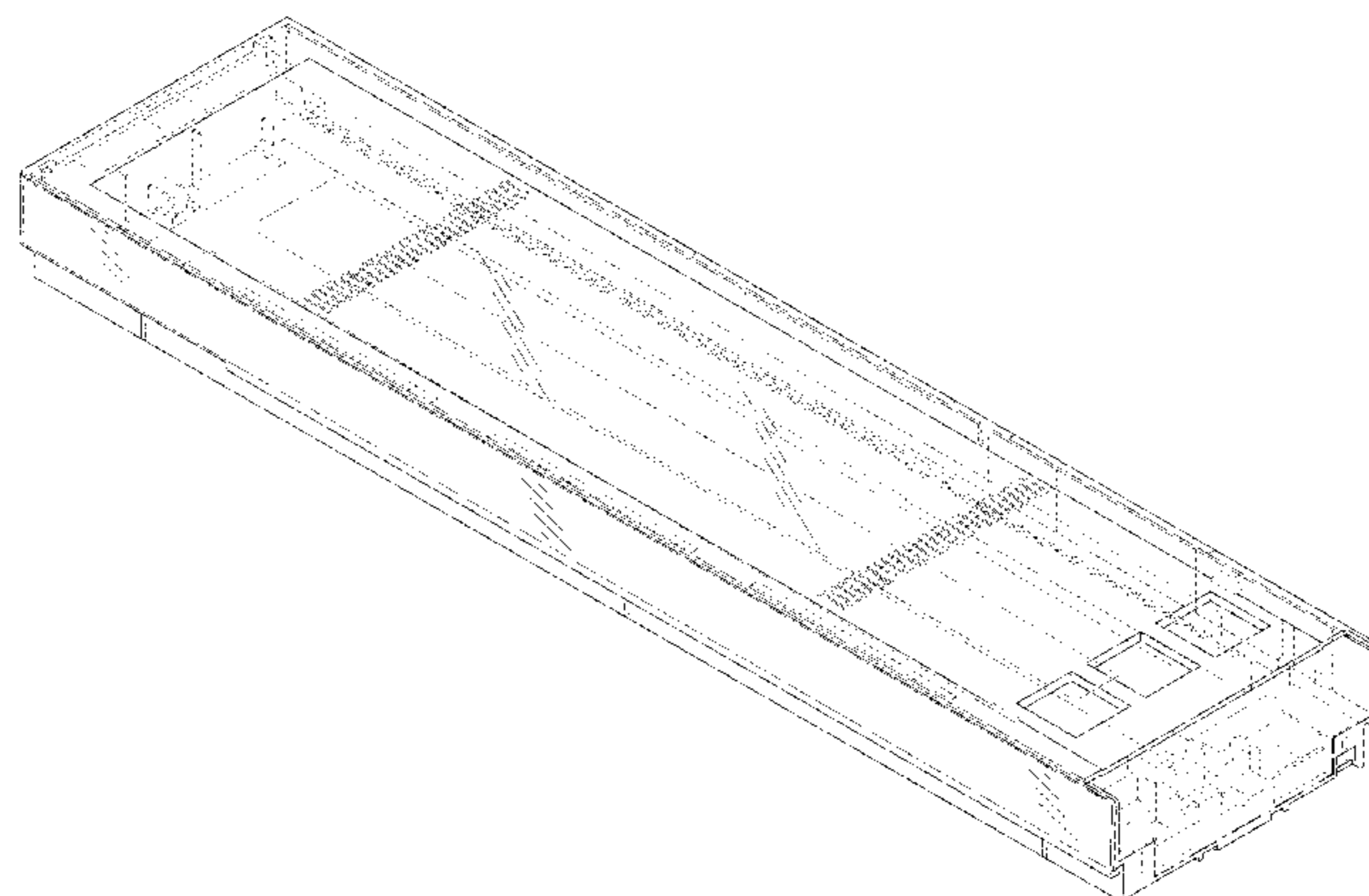
The ornamental design for an ink cartridge, as shown and described.

DESCRIPTION

FIG. 1 is a perspective view of an ink cartridge;
FIG. 2 is a front view thereof;
FIG. 3 is a top view thereof;
FIG. 4 is a right-side view thereof;
FIG. 5 is a left-side view thereof;
FIG. 6 is a rear view thereof;
FIG. 7 is a bottom view thereof;
FIG. 8 is a cross-sectional view taken along line 8-8 in FIG. 2;
FIG. 9 is a cross-sectional view taken along line 9-9 in FIG. 4; and,
FIG. 10 is a bottom perspective view thereof.
The broken lines immediately adjacent the shaded areas represent the bounds of the claimed design while all other broken lines are directed to environment and are for illustrative purposes only. The broken lines form no part of the claimed design. The dot-dash chain lines depict a boundary of the claimed subject matter and form no part of the claimed design.

1 Claim, 6 Drawing Sheets

- (56) **References Cited**
U.S. PATENT DOCUMENTS
D447,513 S * 9/2001 Miyazawa D18/56
D524,855 S * 7/2006 Ishizawa 347/86
D585,090 S * 1/2009 Ishizawa D18/56
D586,849 S * 2/2009 Nozawa 347/86
D591,792 S * 5/2009 Nozawa 347/86
D612,415 S * 3/2010 Harada D18/56
D612,417 S * 3/2010 Harada D18/56
D613,331 S * 4/2010 Park D18/56
D682,931 S * 5/2013 Aoki D18/56



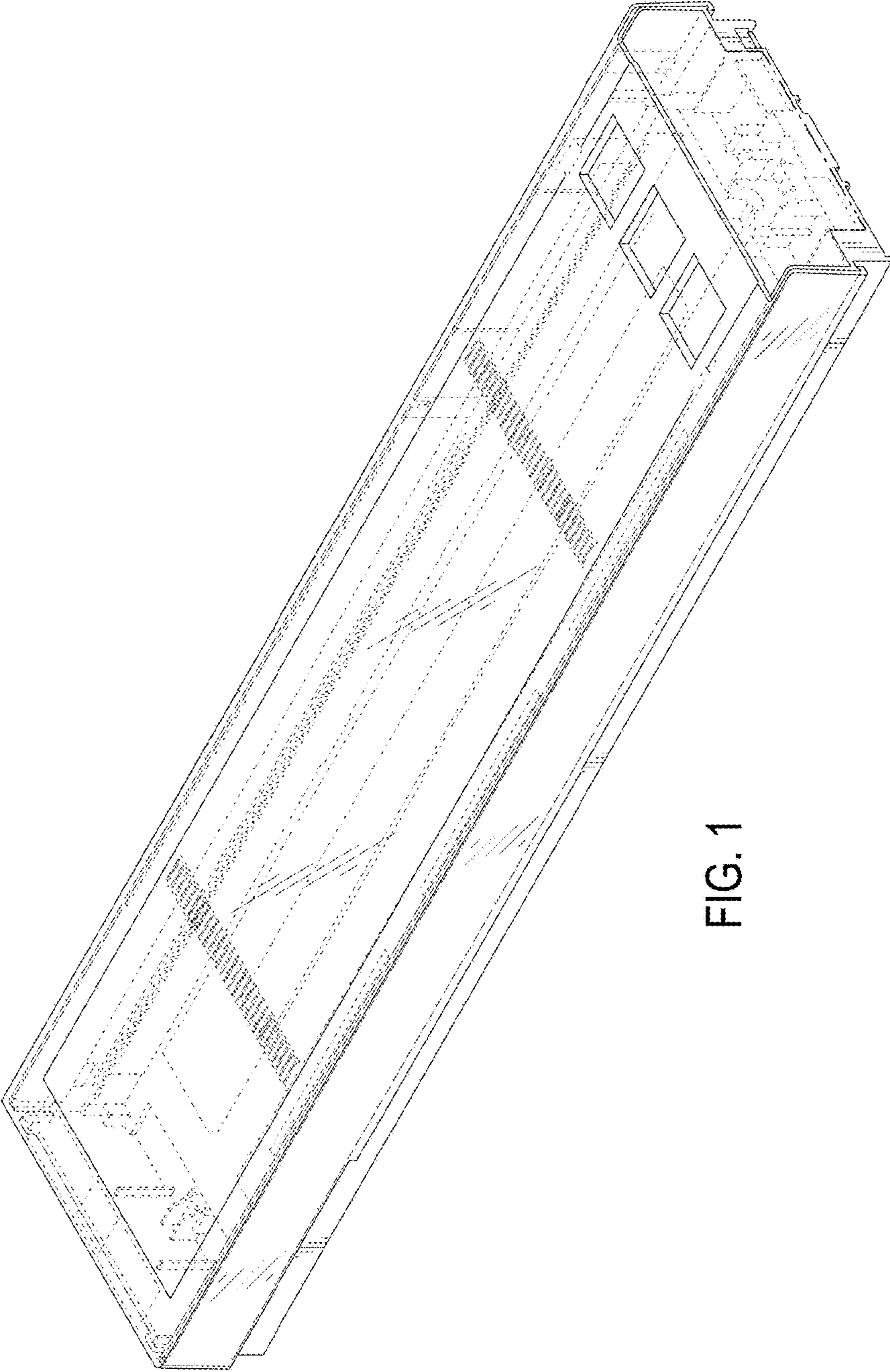


FIG. 1

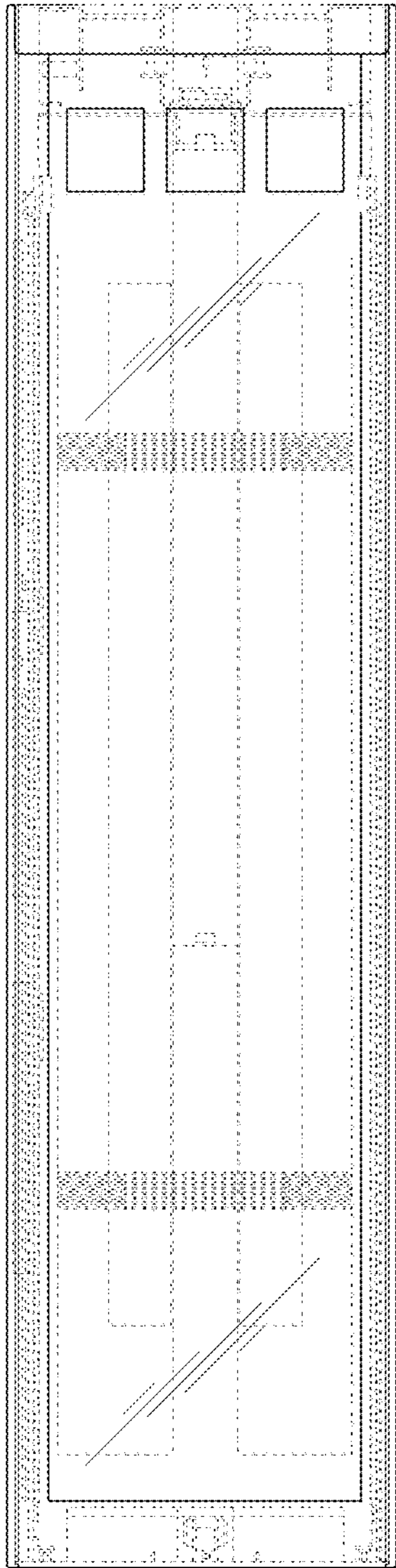


FIG. 3

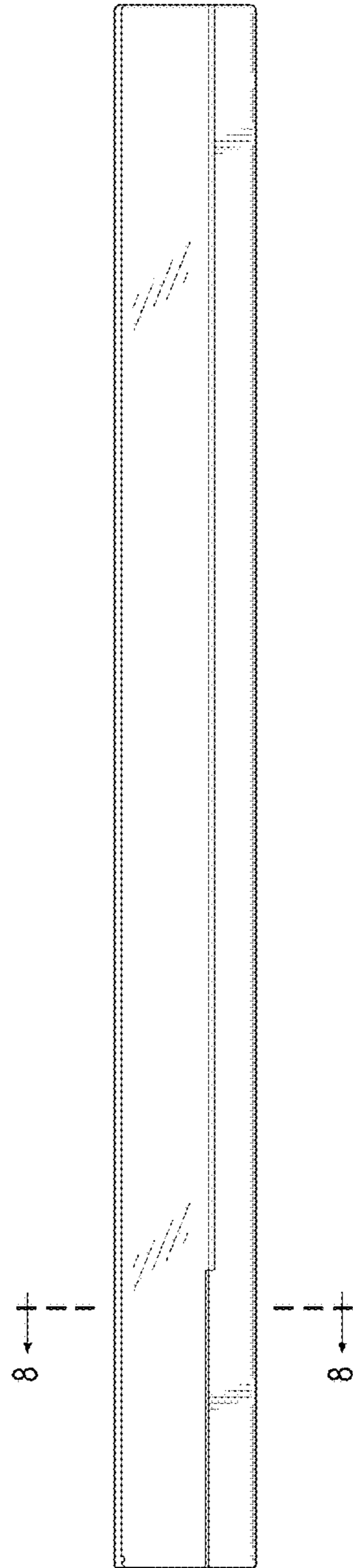


FIG. 2

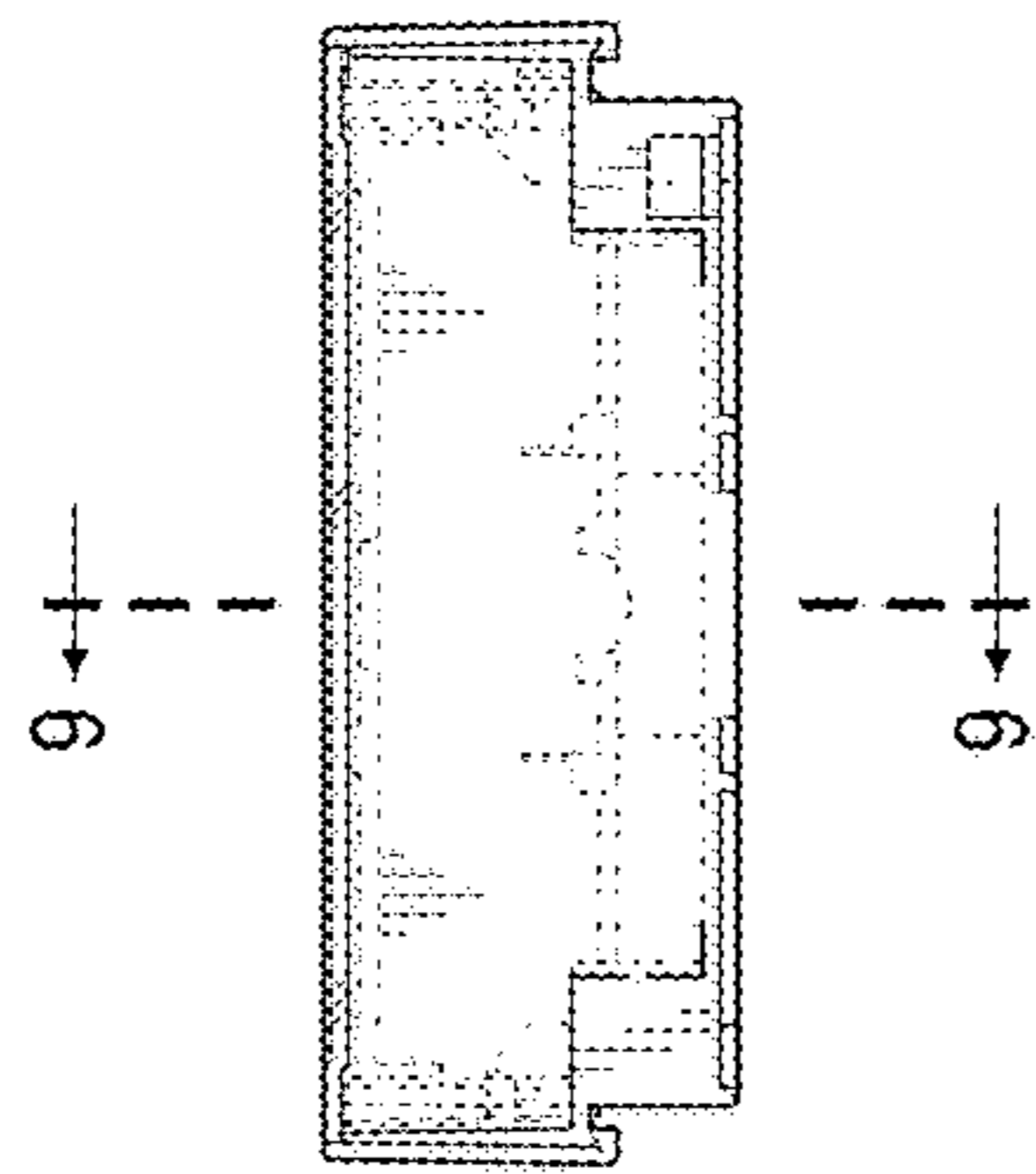


FIG. 4

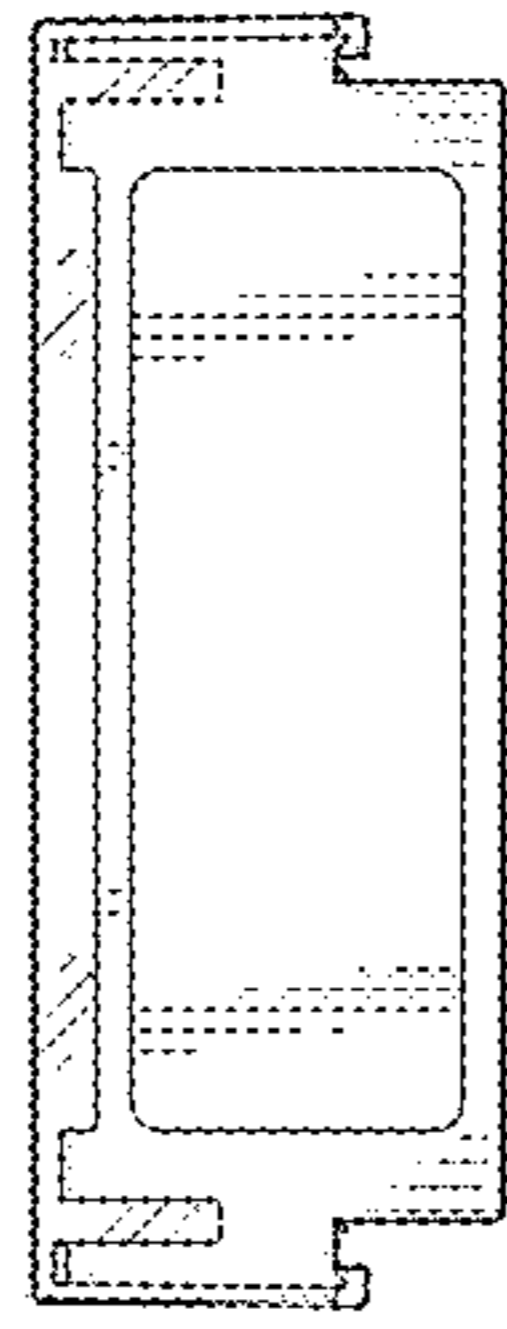


FIG. 5

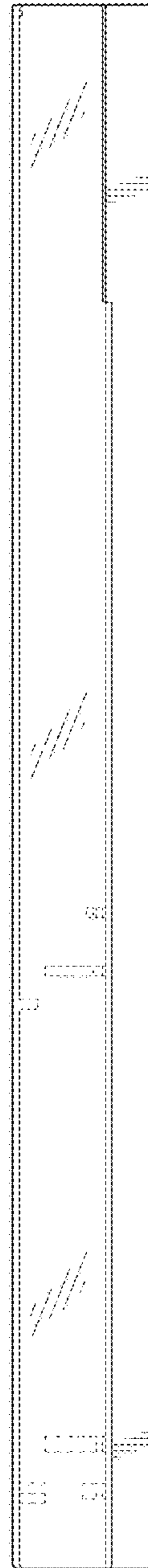


FIG. 6

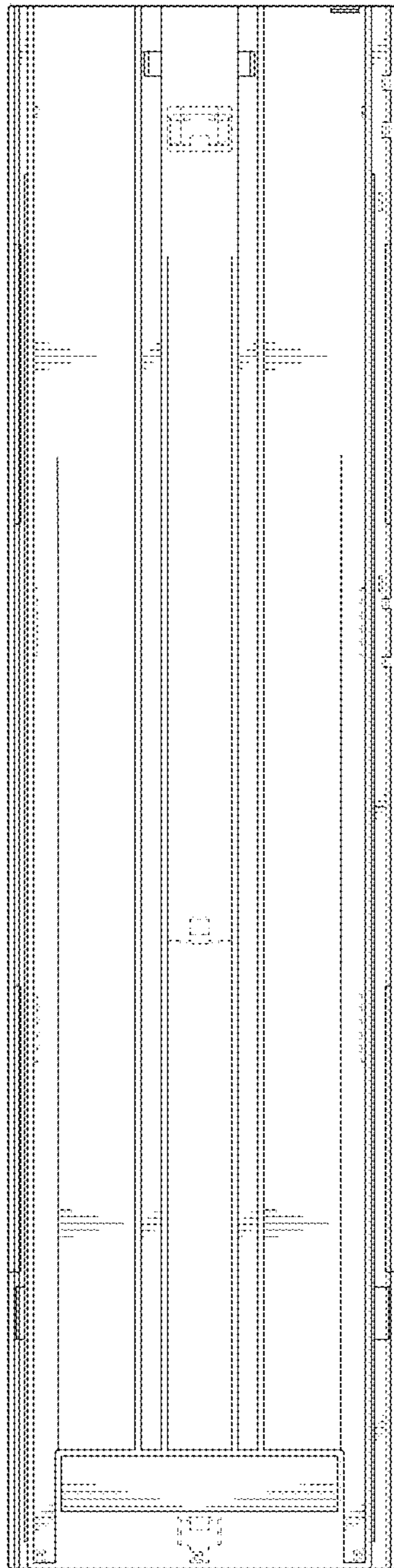


FIG. 7

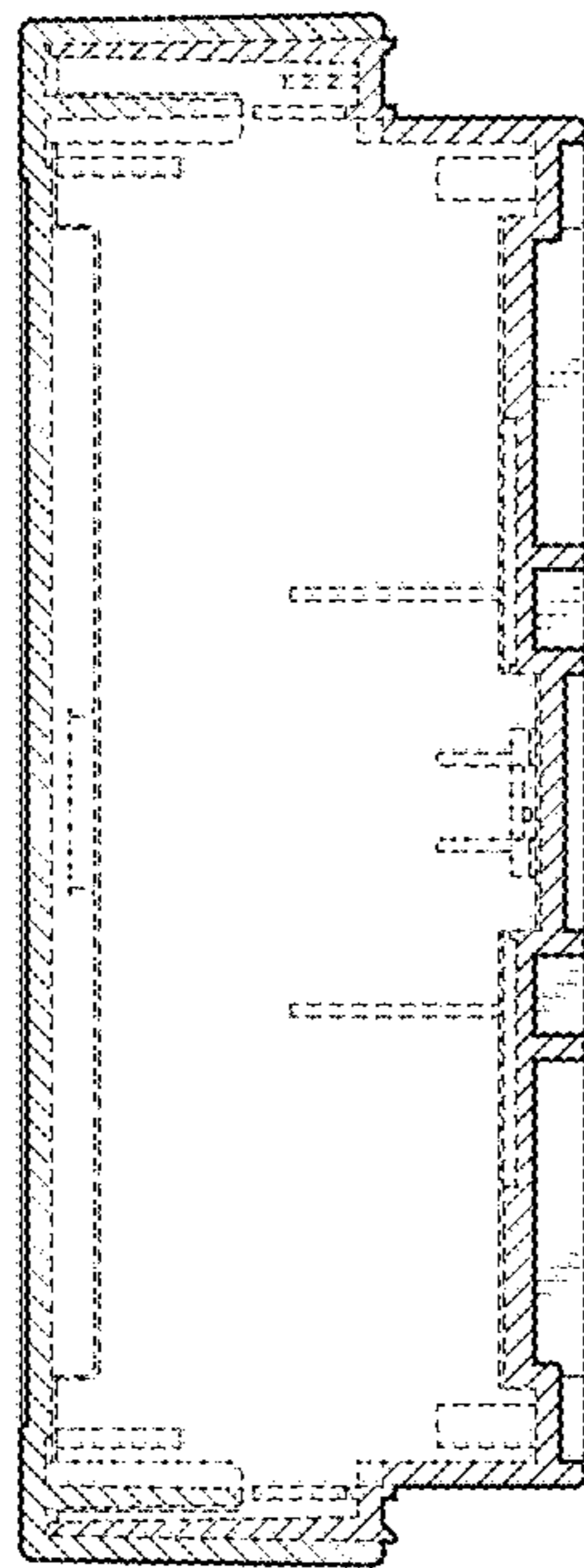


FIG. 8

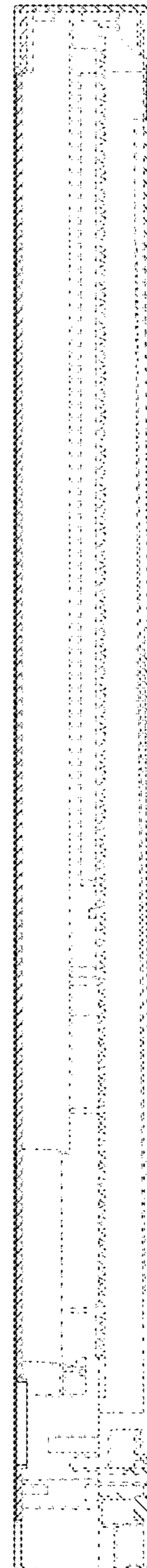


FIG. 9

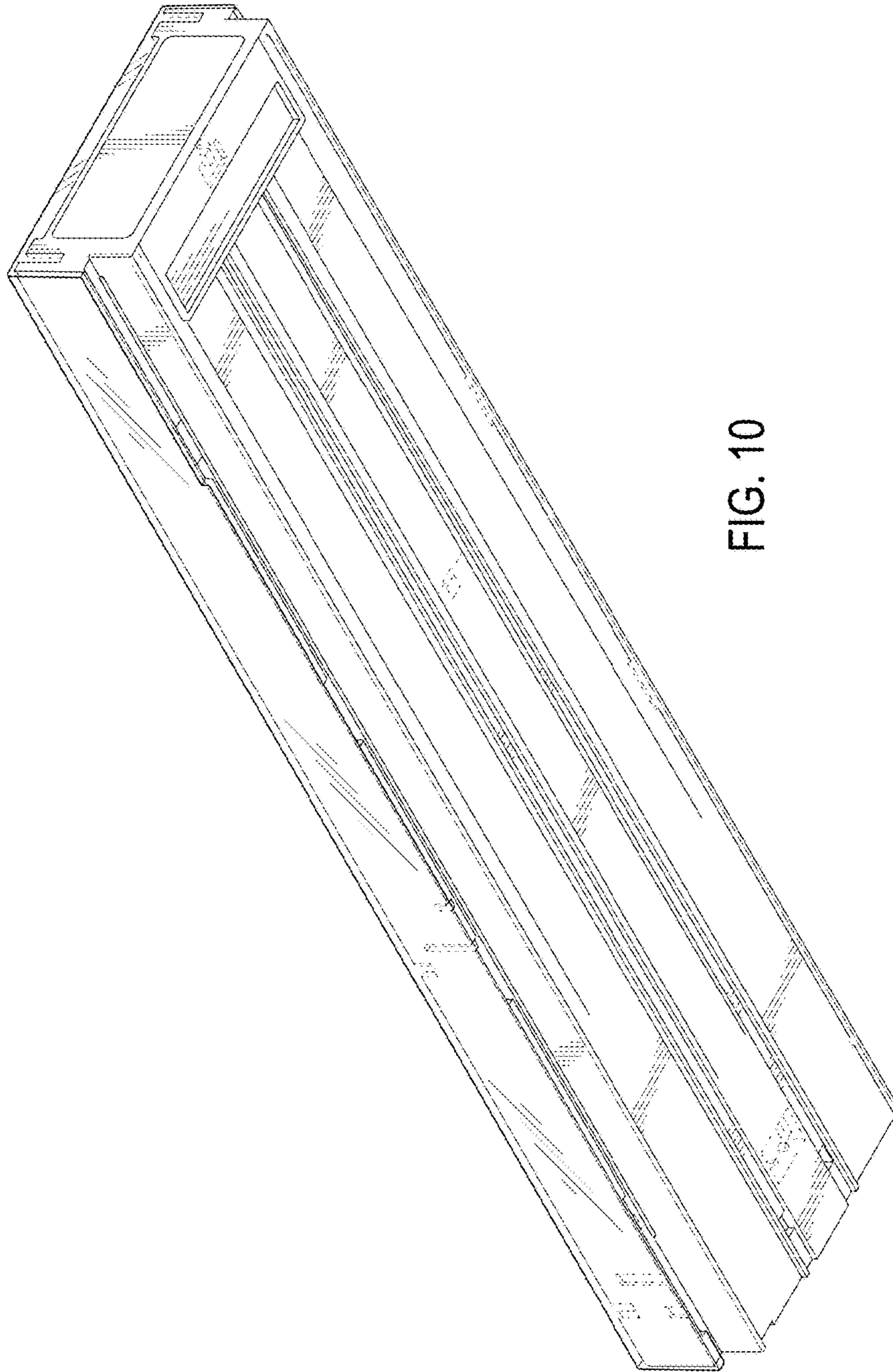


FIG. 10