



US00D842925S

(12) **United States Design Patent**
Nagano et al.

(10) **Patent No.:** **US D842,925 S**
(45) **Date of Patent:** **** Mar. 12, 2019**

(54) **ELECTRONIC COPYING MACHINE**

FOREIGN PATENT DOCUMENTS

(71) Applicant: **Konica Minolta, Inc.**, Chiyoda-ku,
Tokyo (JP)

CN 304711528 * 7/2018
JP 1130617 S 1/2002

(Continued)

(72) Inventors: **Masakazu Nagano**, Nishinomiya (JP);
Yu Iritani, Tokyo (JP); **Thomas Edward Keen**, London (GB); **Nicholas Woodley**, London (GB); **Astrid Nathalie Xavier Vanhuyse**, London (GB); **Manon Bourette**, London (GB)

OTHER PUBLICATIONS

Amazon. Link: https://www.amazon.com/Epson-Workforce-WF-2860-Wireless-Replenishnnet/dp/B079GV6Z6Z/ref=sr-1_1?ie=UTF8&qid=1539187310&sr=8-1&. Feb. 4, 2018. Epson Workforce WF-2860 All-in-One Wireless Color Printer with Scanner, Copier, Fax, Ethernet, Wi-Fi. (Year: 2018).*

(Continued)

(73) Assignee: **KONICA MINOLTA, INC.**,
Chiyoda-Ku, Tokyo (JP)

Primary Examiner — Bridget L Eland
Assistant Examiner — Lauren D McVey

(**) Term: **15 Years**

(74) *Attorney, Agent, or Firm* — Buchanan Ingersoll & Rooney PC

(21) Appl. No.: **29/617,763**

(57) **CLAIM**

(22) Filed: **Sep. 15, 2017**

The ornamental design for an electronic copying machine, as shown and described.

(30) **Foreign Application Priority Data**

DESCRIPTION

Mar. 16, 2017 (JP) 2017-005390
Mar. 16, 2017 (JP) 2017-005391

(51) **LOC (11) Cl.** **16-03**

(52) **U.S. Cl.**
USPC **D18/39**

(58) **Field of Classification Search**
USPC D18/39, 40, 41, 45, 34.4, 34.5, 34.6, 36,
D18/37, 38, 53, 50, 54, 56, 59; D14/301,
D14/307

(Continued)

FIG. 1 is a front elevational view of a first embodiment of an electronic copying machine showing our new design; FIG. 2 is a rear elevational view thereof; FIG. 3 is a right side elevational view thereof; FIG. 4 is a left side elevational view thereof; FIG. 5 is a top plan view thereof; FIG. 6 is a bottom plan view thereof; FIG. 7 is a first perspective view thereof; FIG. 8 is a second perspective view thereof; FIG. 9 is a front elevational view of a second embodiment of an electronic copying machine showing our new design; FIG. 10 is a rear elevational view thereof; FIG. 11 is a right side elevational view thereof; FIG. 12 is a left side elevational view thereof; FIG. 13 is a top plan view thereof; FIG. 14 is a bottom plan view thereof; FIG. 15 is a first perspective view thereof; and, FIG. 16 is a second perspective view thereof.

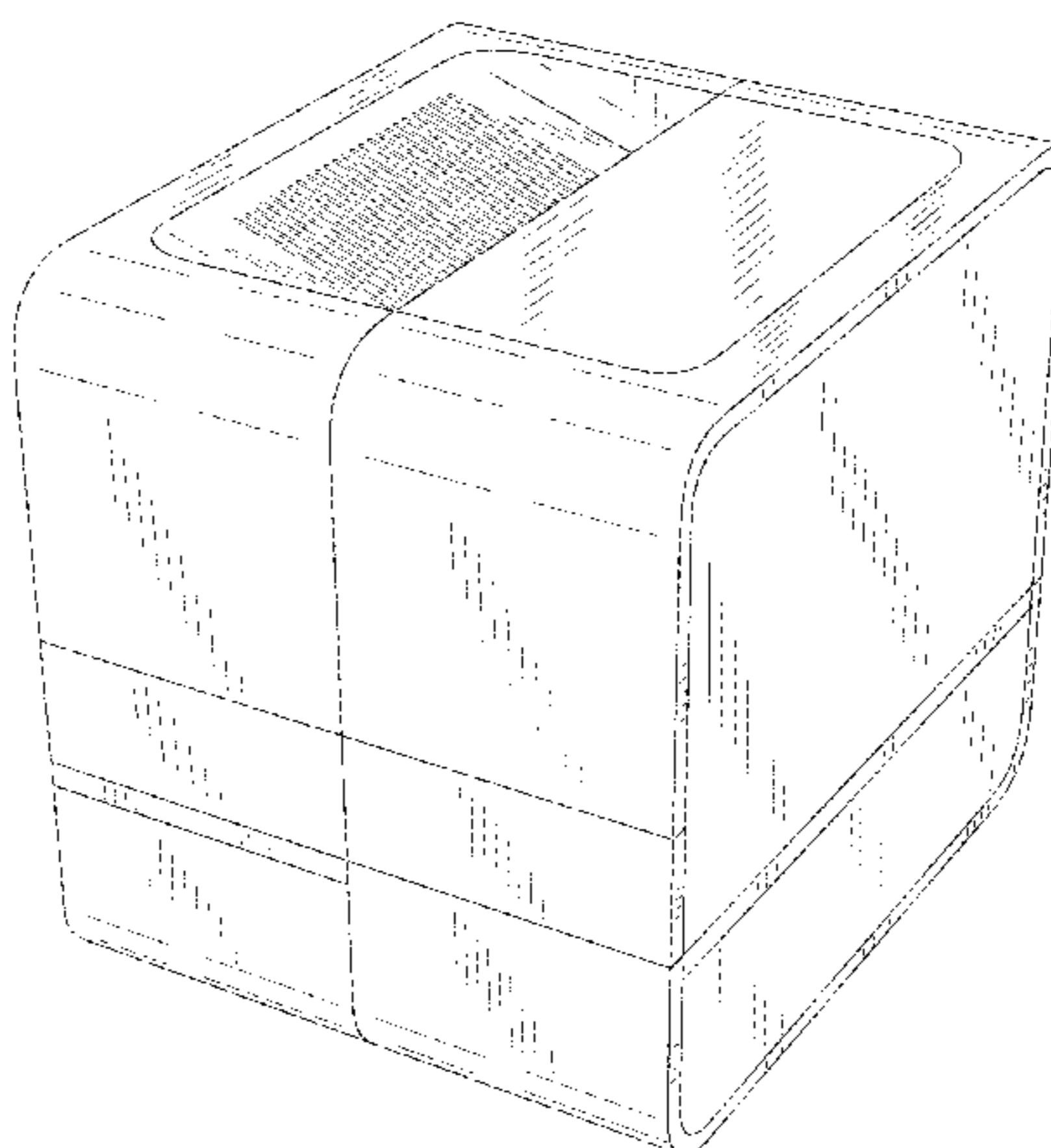
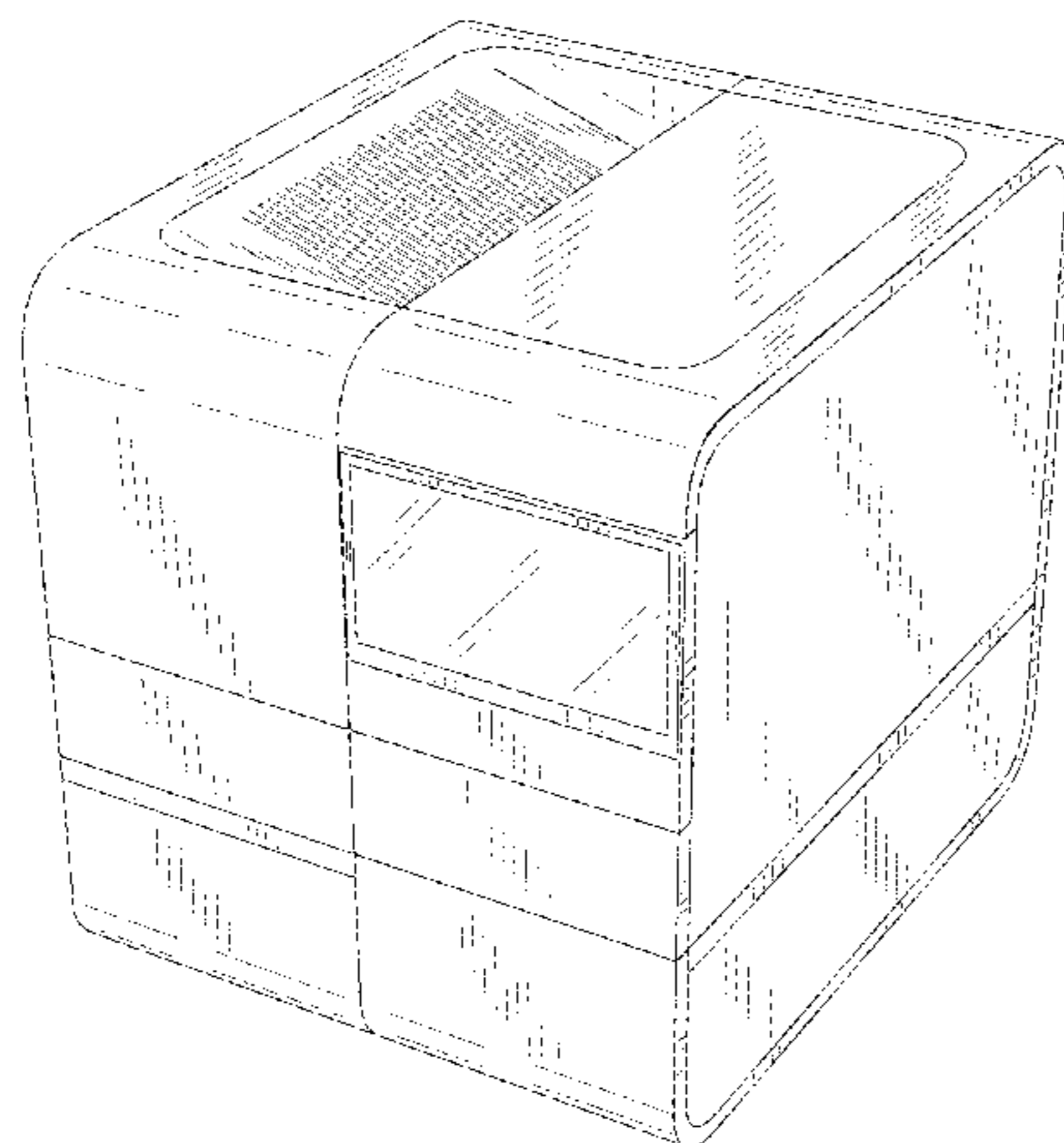
(Continued)

(56) **References Cited**

U.S. PATENT DOCUMENTS

D194,080 S * 11/1962 Hanson et al. D18/37
D432,160 S * 10/2000 Kabumoto D18/37

(Continued)



The broken lines shown in the views are included for the purpose of illustrating portions of the electronic copying machine that form no part of the claimed design.

1 Claim, 16 Drawing Sheets

(58) Field of Classification Search

CPC G06K 15/12; G06K 15/14; H04N 1/00204;
 H04N 1/00249; H04N 1/00278; H04N
 2201/0091; H04N 2201/0093; H04N
 2201/0094; H04N 2201/0096; B41J 3/00;
 B41J 3/28; B41J 3/445; B41J 3/46

See application file for complete search history.

(56) References Cited

U.S. PATENT DOCUMENTS

D621,441 S	*	8/2010	Kim	D18/39
D624,956 S	*	10/2010	Park	D18/39
D754,763 S	*	4/2016	Kraibuhler	D15/122
D818,534 S	*	5/2018	Mita	D18/55
D822,757 S	*	7/2018	Landa	D18/18

D822,760 S	*	7/2018	Xia	D18/50
D824,455 S	*	7/2018	Inada	D18/50
D826,296 S	*	8/2018	Noorazar	D15/122
2004/0184062 A1	*	9/2004	Yu	H04N 1/00002 358/1.13
2007/0014620 A1	*	1/2007	Sugimoto	B41J 29/02 400/691
2008/0014007 A1	*	1/2008	Ukai	B41J 29/02 400/691

FOREIGN PATENT DOCUMENTS

JP	1130814 S	1/2002
JP	1130815 S	1/2002
JP	D1373333	* 11/2009

OTHER PUBLICATIONS

Weekly ASCII, vol. 644, p. 193, "H7-52B Color Laser Printer", Jul. 10, 2007 (2 pages) (with Partial English translation).
 Japanese Office Action (Notice) dated Jun. 19, 2017, by the Japanese Patent Office for corresponding Japanese Design Application No. 2017-005390. (4 pages) (with English translation).

* cited by examiner

FIG. 1

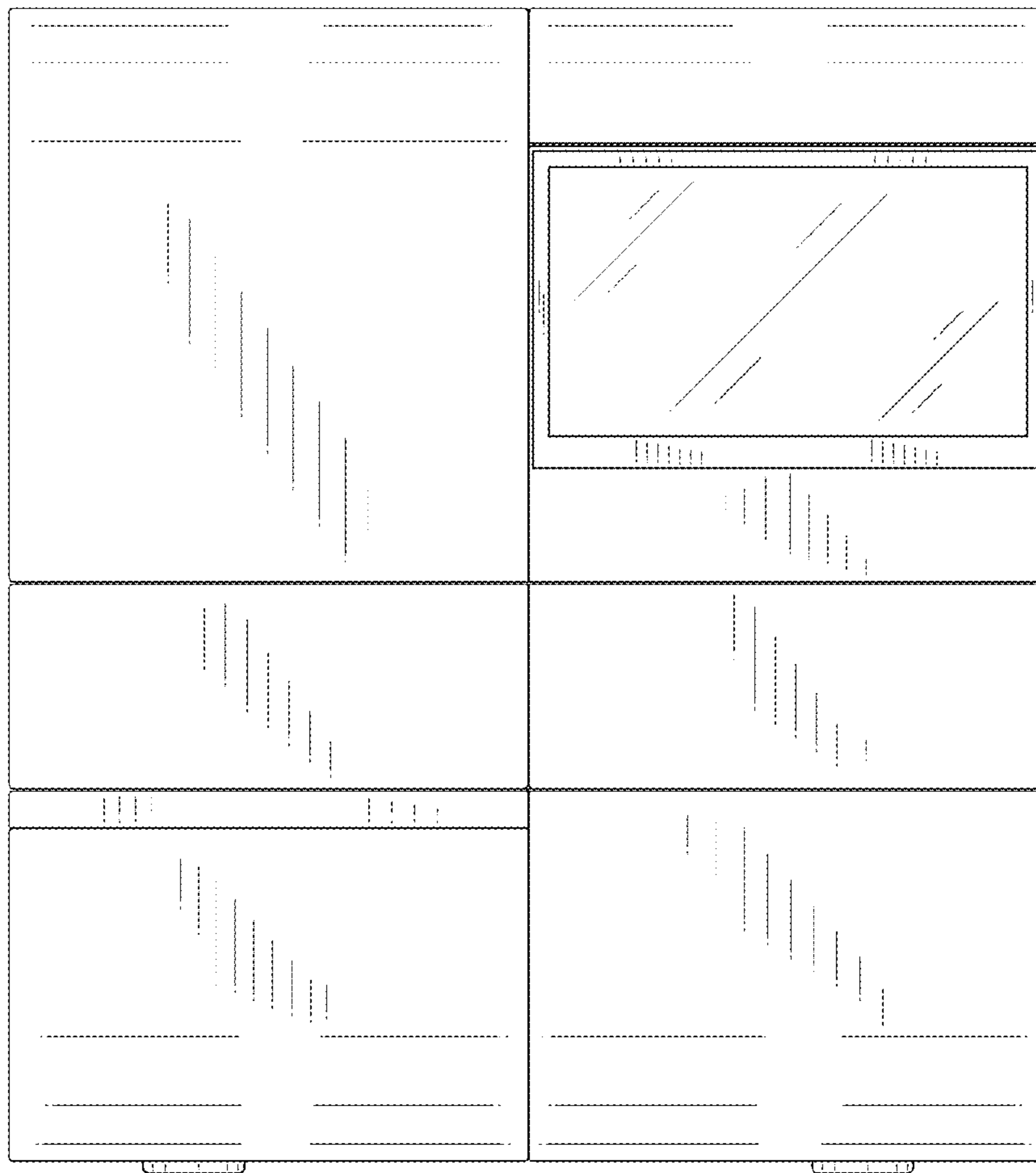


FIG.2

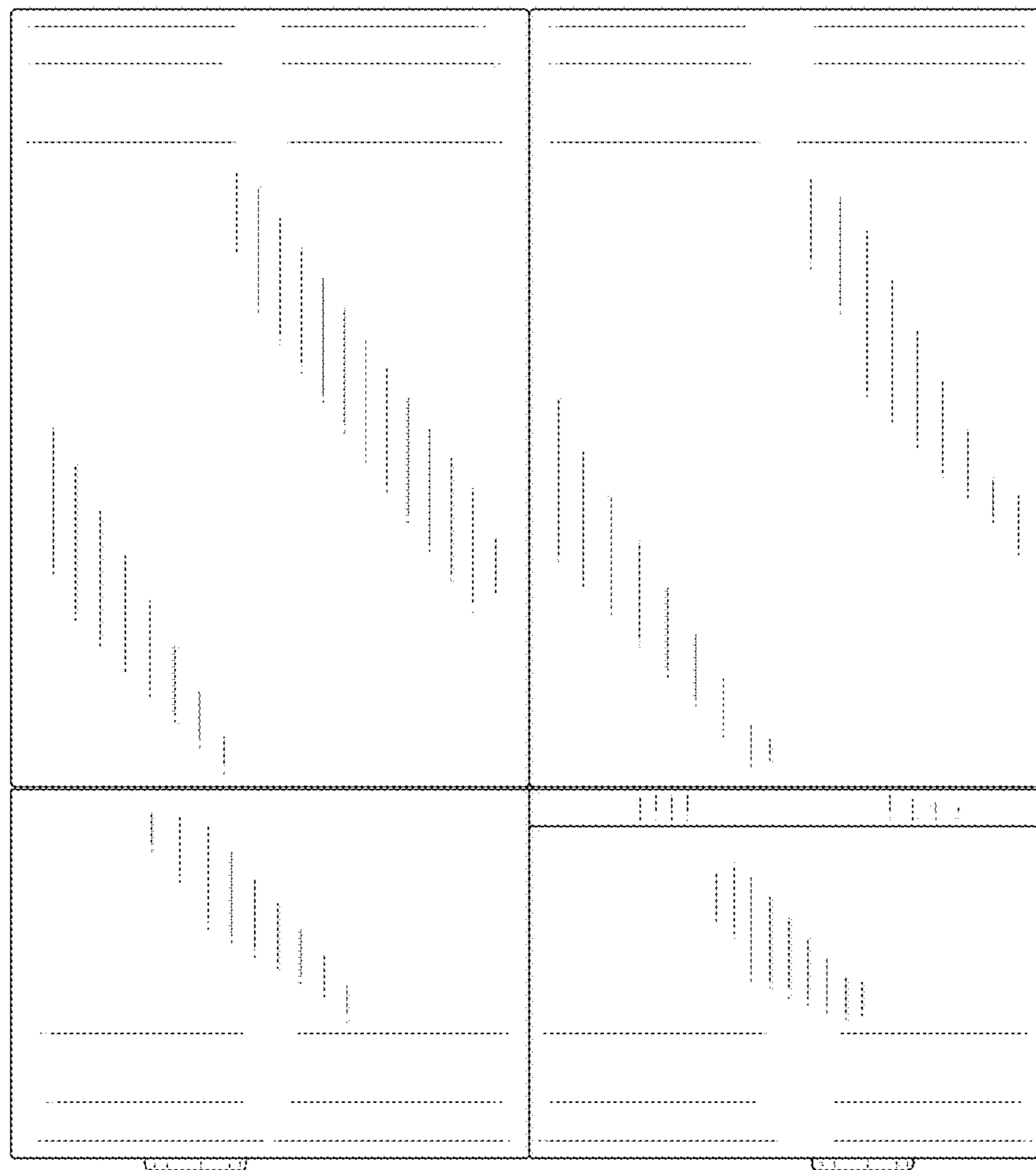


FIG.3

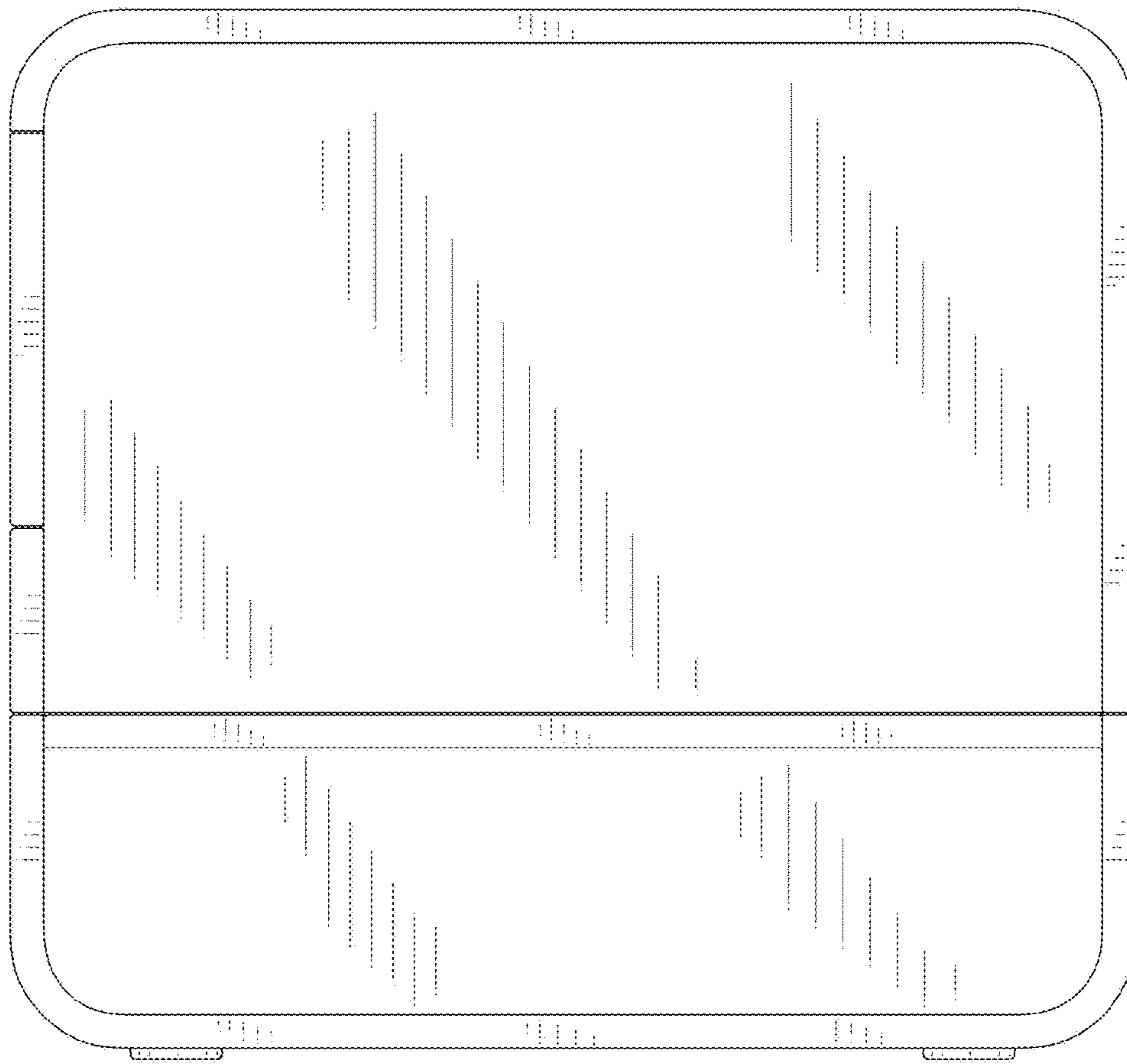


FIG.4

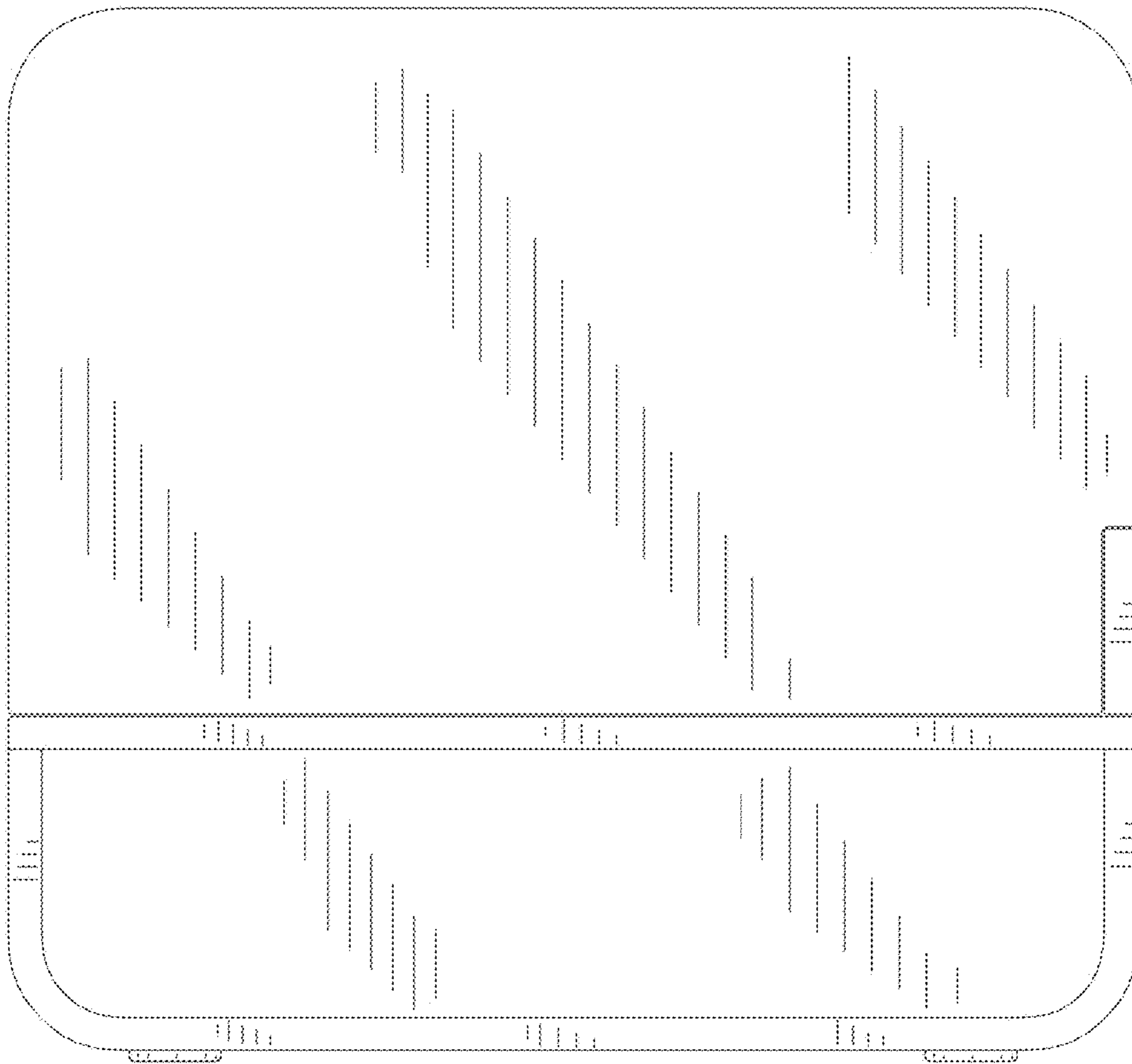


FIG.5

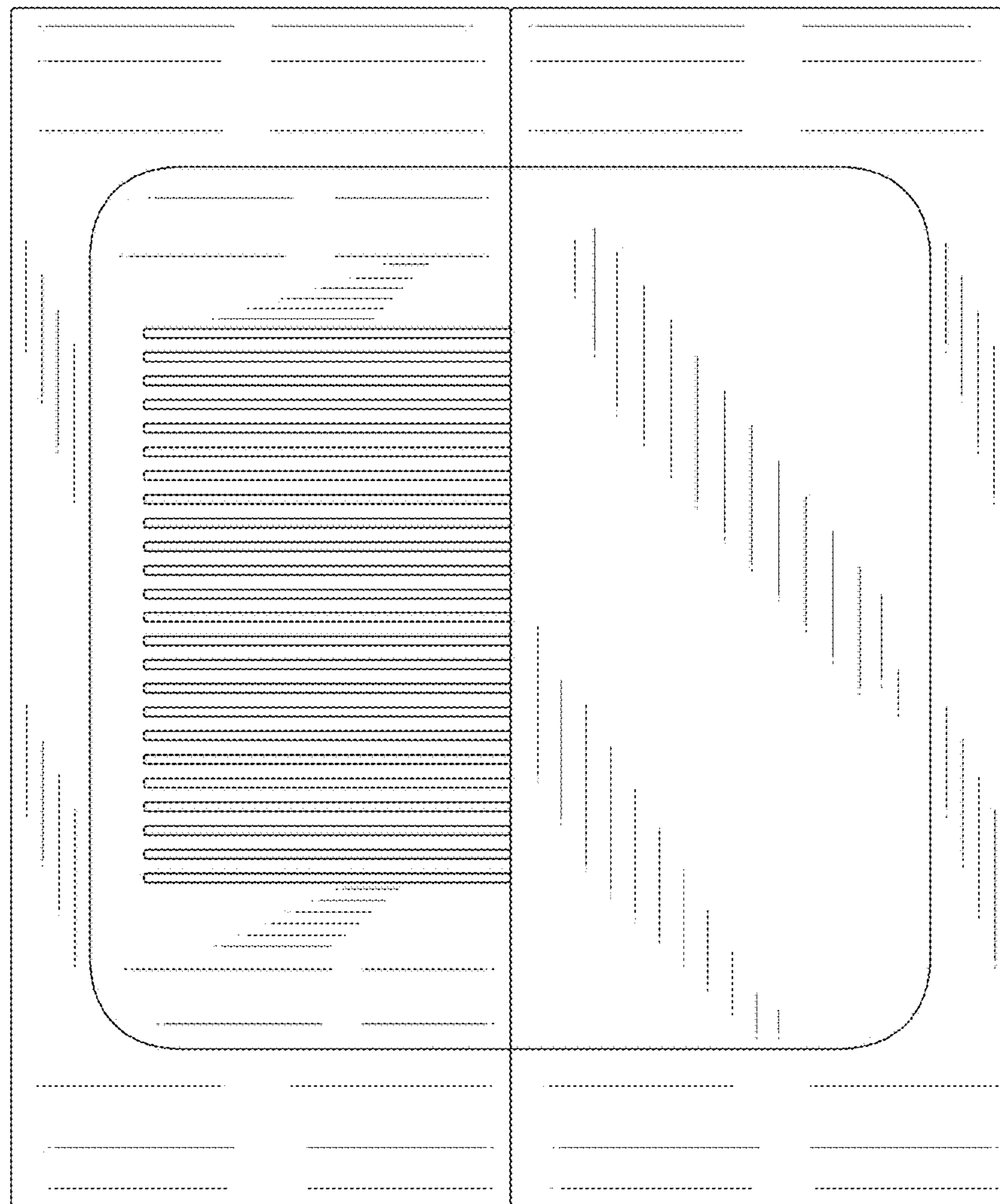


FIG. 6

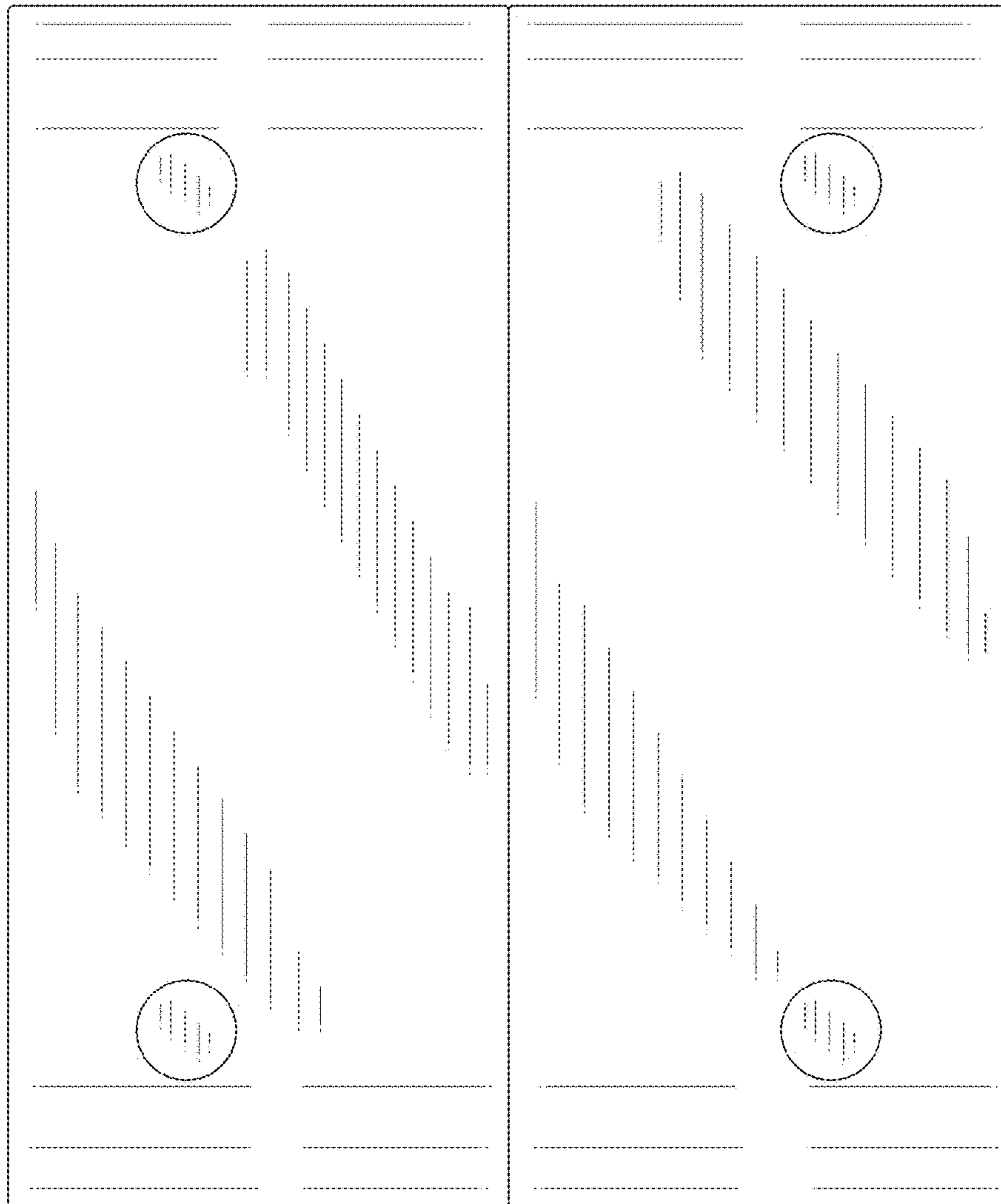


FIG.7

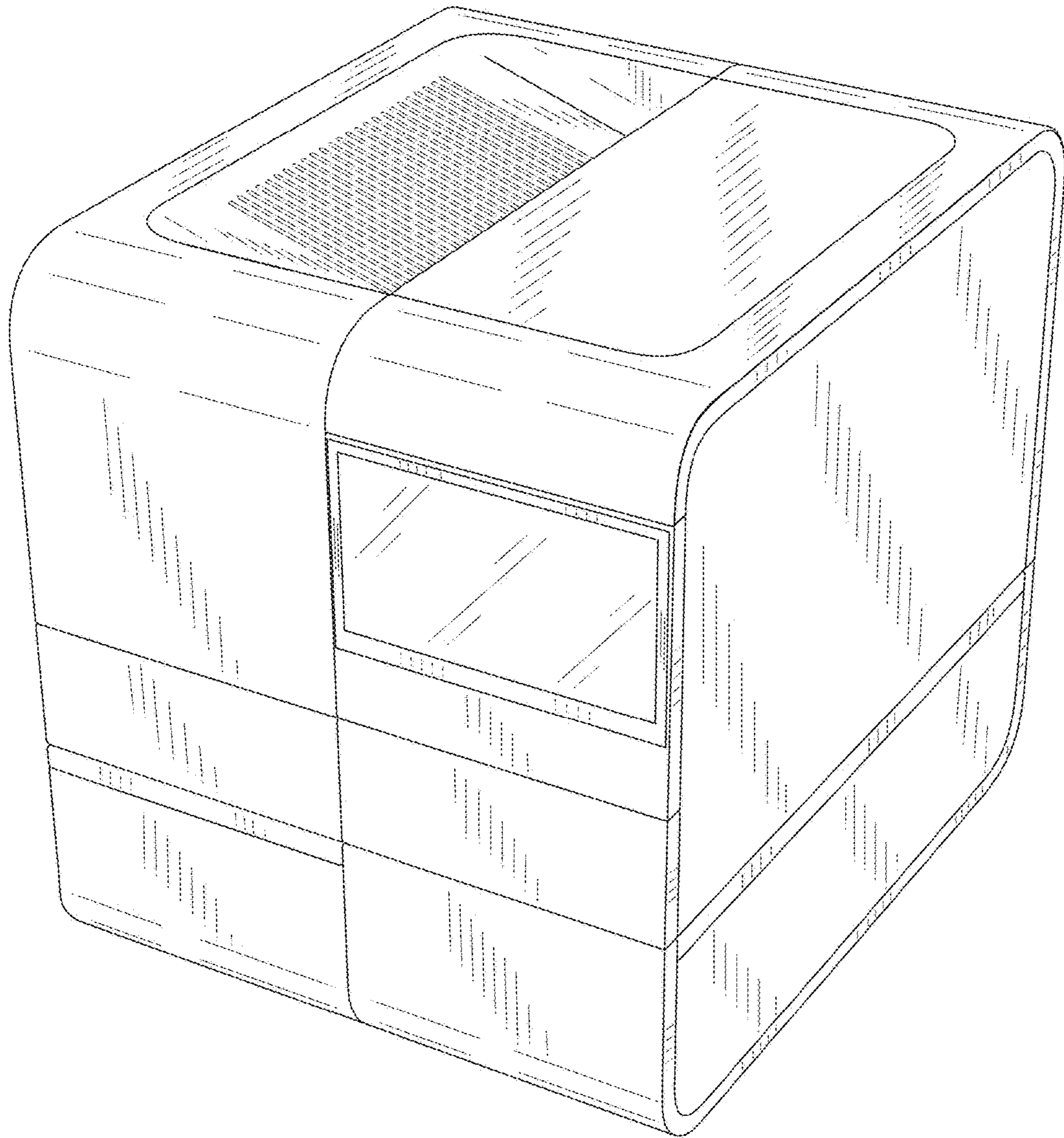


FIG.8

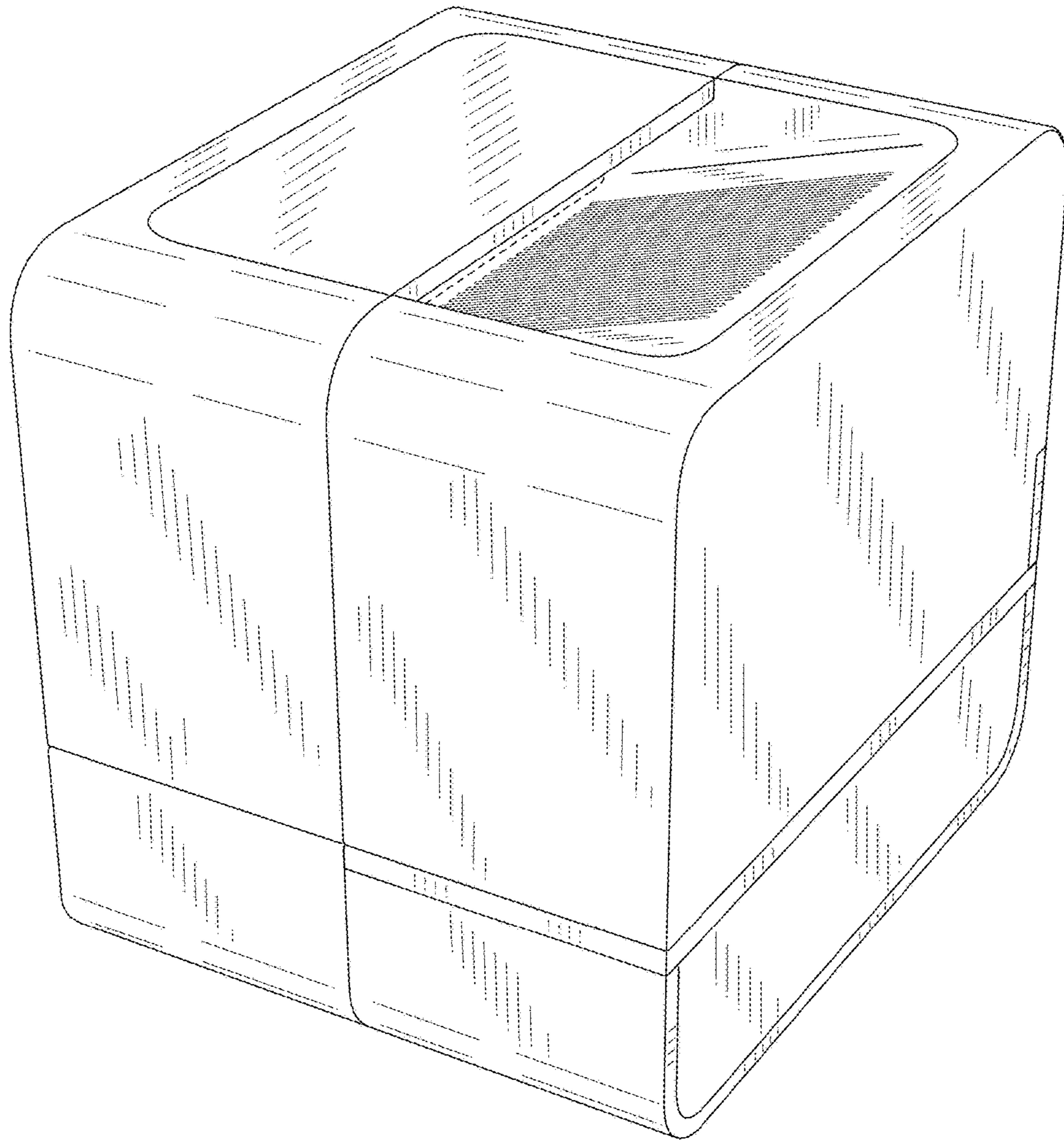


FIG. 9

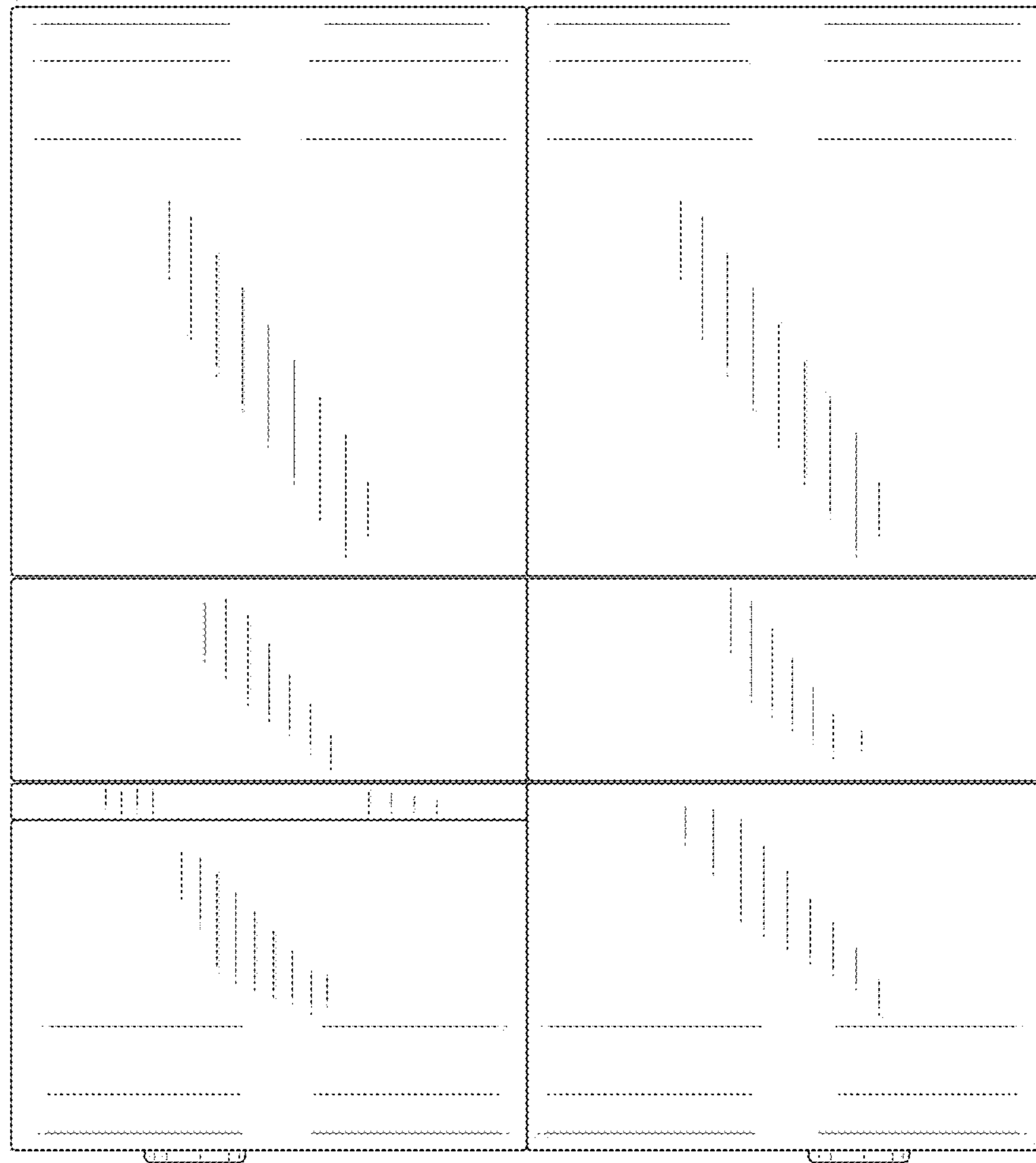


FIG. 10

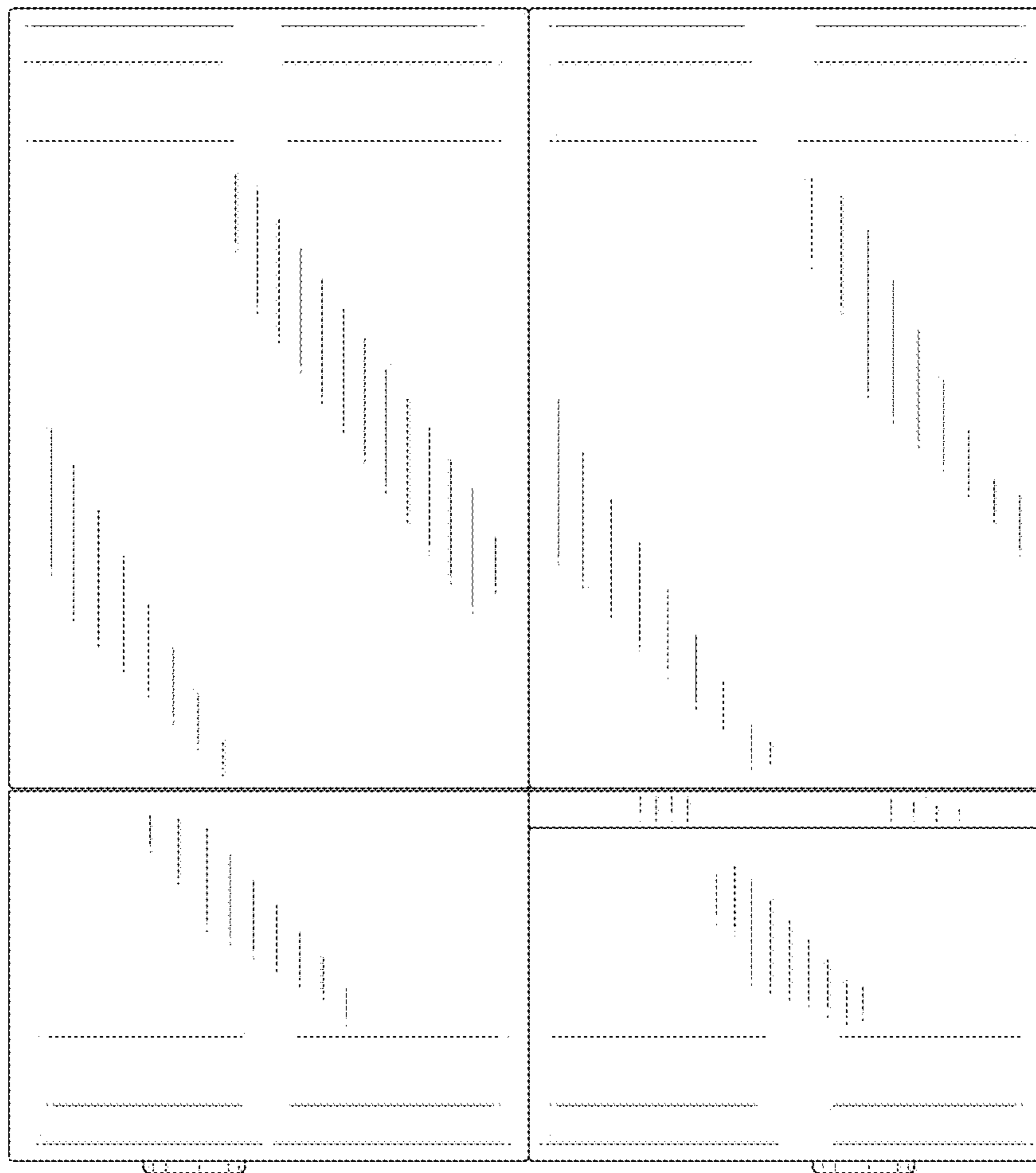


FIG.11

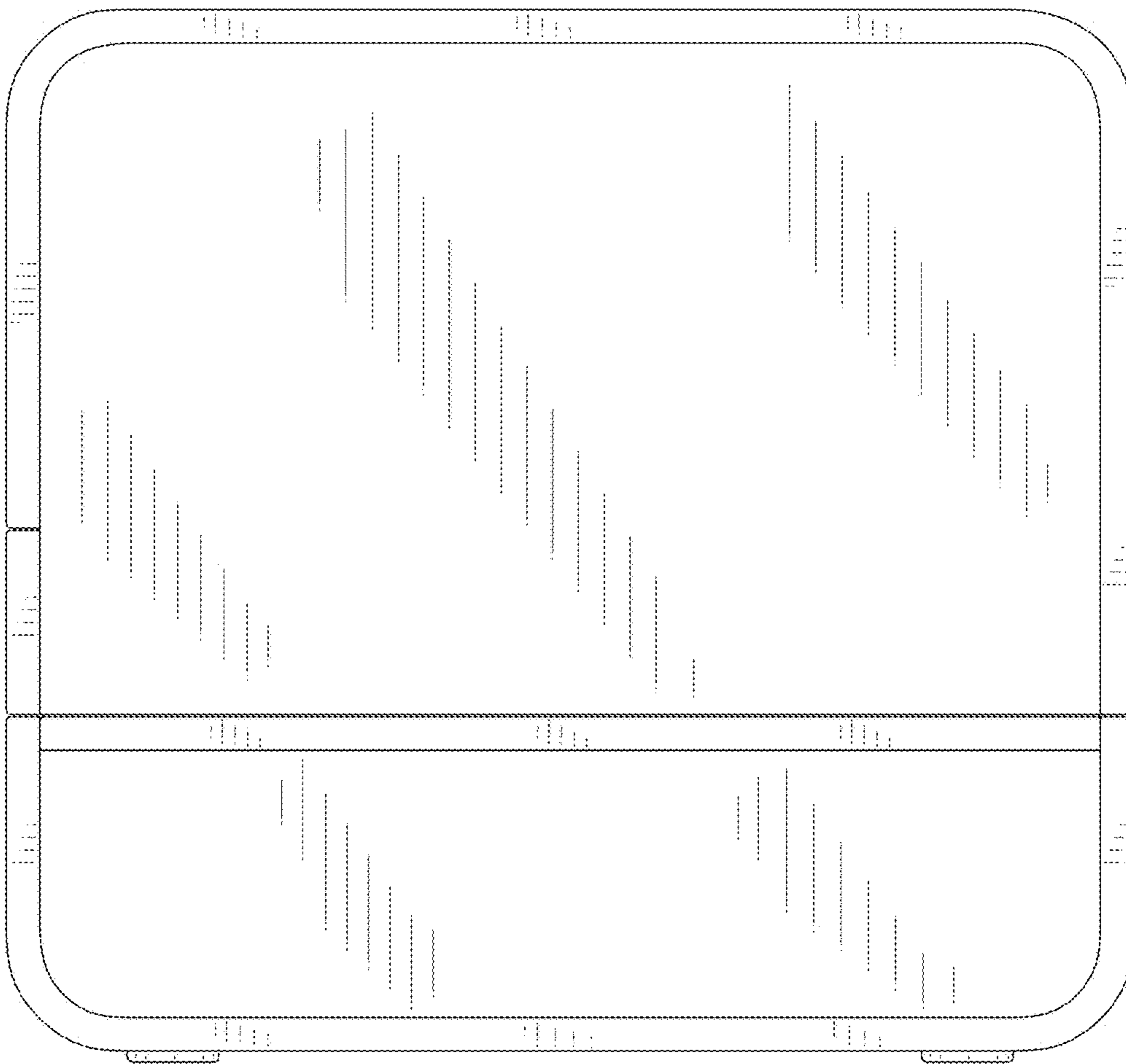


FIG.12

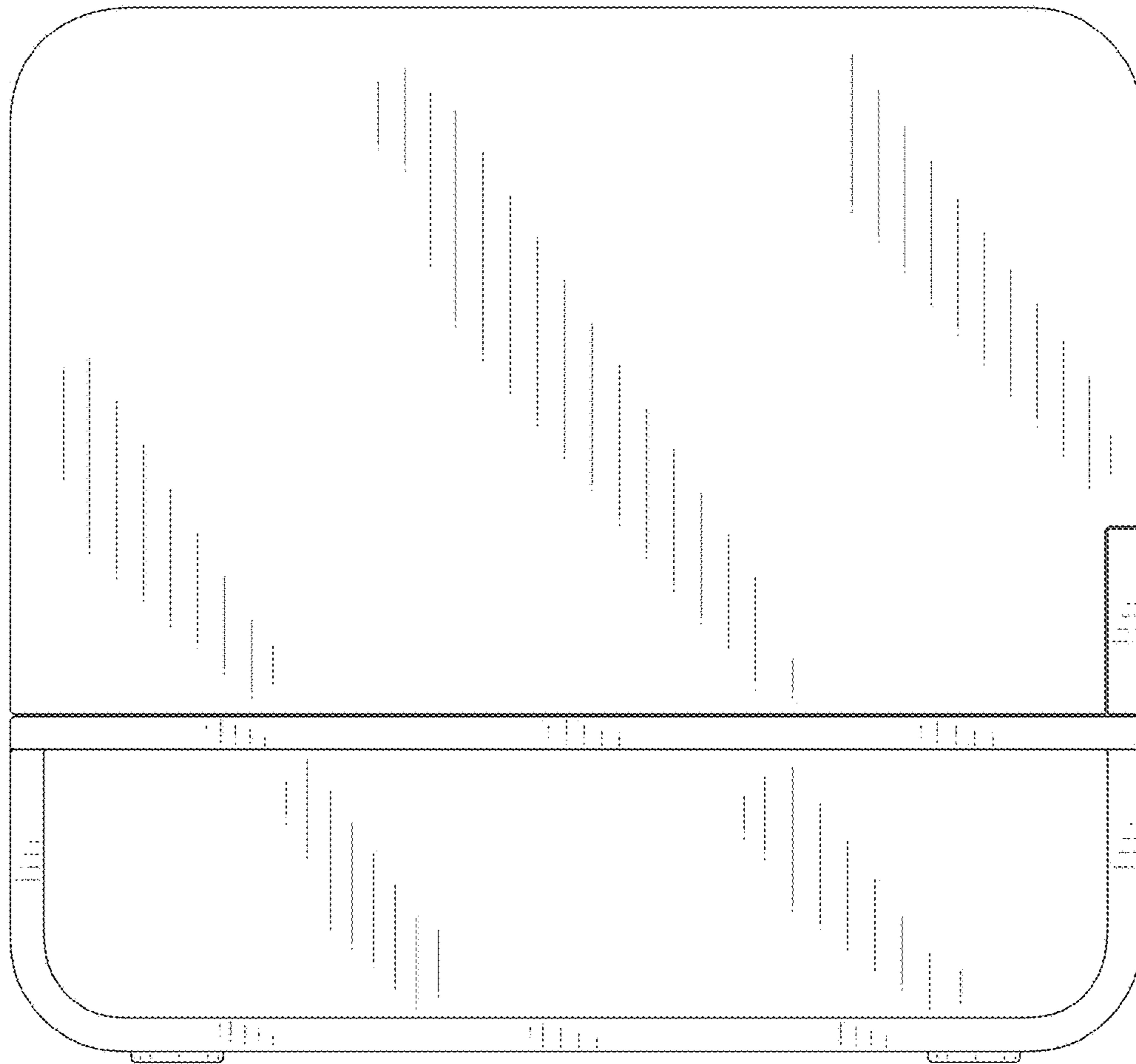


FIG. 13

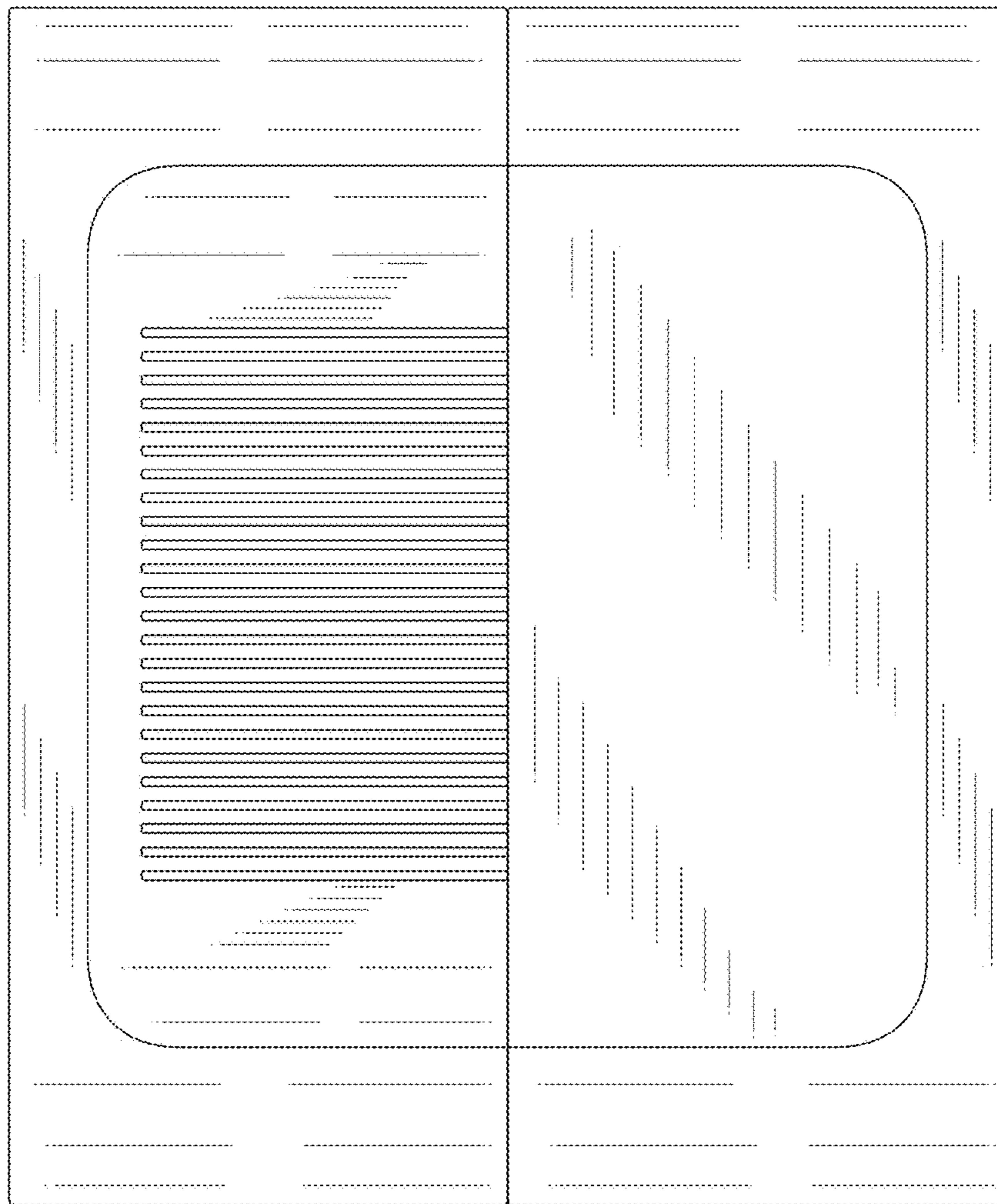


FIG.14

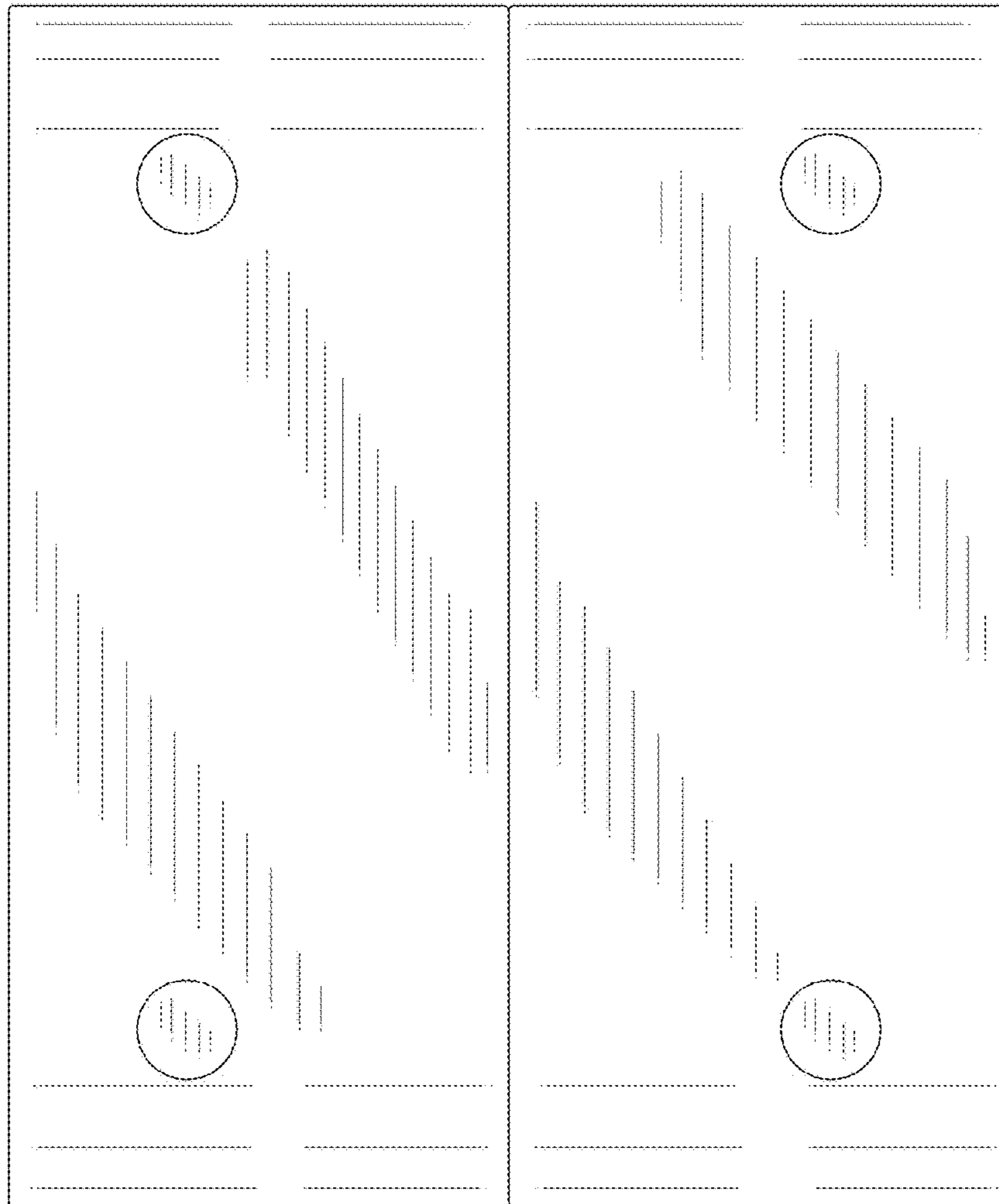


FIG.15

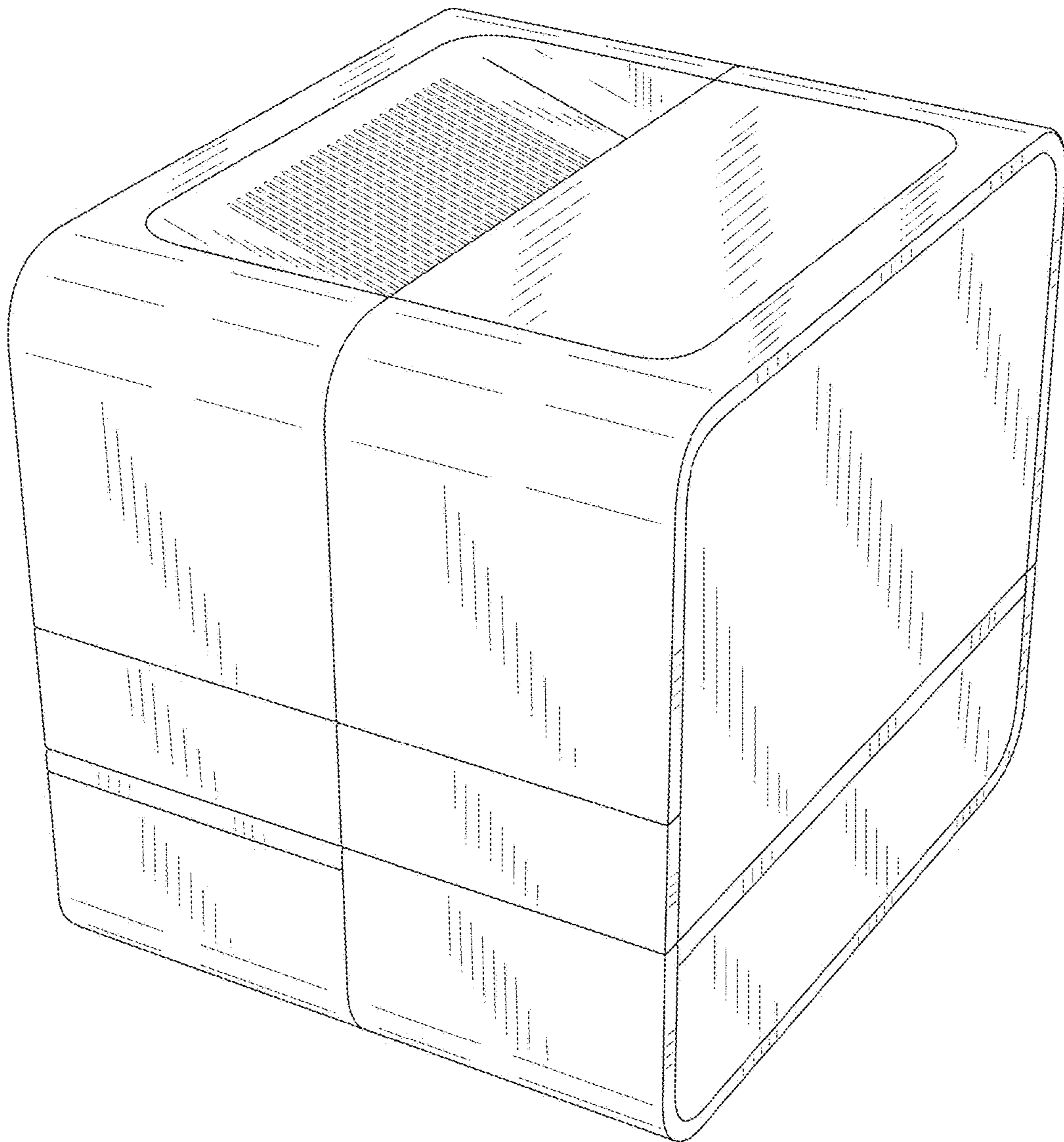


FIG.16

