

US00D842923S

(12) **United States Design Patent** (10) **Patent No.:** **US D842,923 S**
Guglielmino et al. (45) **Date of Patent:** **** Mar. 12, 2019**

(54) **TEMPLE TIP OF EYEGLASSES**
 (71) Applicant: **LUD'O S.R.L.**, Fermo (IT)
 (72) Inventors: **Cristina Guglielmino**, Porto San
 Giorgio (IT); **Federico Vitali**, Porto San
 Giorgio (IT)
 (73) Assignee: **LUD'O S.R.L.**, Fermo (IT)
 (**) Term: **15 Years**

D466,545 S * 12/2002 Jamin D16/325
 D553,175 S * 10/2007 Lamy D16/321
 D581,444 S * 11/2008 Jannard D16/314
 D596,661 S * 7/2009 Gonzalez D16/321
 D608,818 S * 1/2010 Kindl D16/330
 D617,367 S * 6/2010 Gonzalez D16/321
 D644,261 S * 8/2011 Gonzalez D16/321
 D671,982 S * 12/2012 Fuchs D16/315
 D673,600 S * 1/2013 Fuchs D16/315
 D728,002 S * 4/2015 Uhm D16/314
 D747,761 S * 1/2016 Miera D16/335
 D767,014 S * 9/2016 Fuchs D16/315
 D785,078 S * 4/2017 Sallard D16/335

(21) Appl. No.: **35/503,668**

* cited by examiner

(22) Filed: **Jul. 10, 2017**

Primary Examiner — Richard E Chilcot

(80) **Hague Agreement Data**

(74) *Attorney, Agent, or Firm* — Mark Malek; Widerman
Malek, PL

Int. Filing Date: **Jul. 10, 2017**
 Int. Reg. No.: **DM/097505**
 Int. Reg. Date: **Jul. 10, 2017**
 Int. Reg. Pub. Date: **Sep. 15, 2017**

(57) **CLAIM**

The ornamental design for a temple tip of eyeglasses, as shown and described.

(51) **LOC (11) Cl.** **16-06**

DESCRIPTION

(52) **U.S. Cl.**
USPC **D16/335**; D16/338

(58) **Field of Classification Search**
 USPC D16/101, 300–342, 900; D29/109, 110;
 351/41–66, 92, 103–123, 140–143; 2/13,
 2/15, 426–449; D21/483, 659–661;
 D14/372
 CPC G02C 2200/08; G02C 1/06; G02C 5/14;
 G02C 5/16

1.-2. Temple tips of eyeglasses

1.1 : Perspective

1.2 : Left

1.3 : Right

1.4 : Bottom

1.5 : Top

1.6 : Back

1.7 : Front

2.1 : Perspective

2.2 : Right

2.3 : Left

2.4 : Bottom

2.5 : Top

2.6 : Back

2.7 : Front

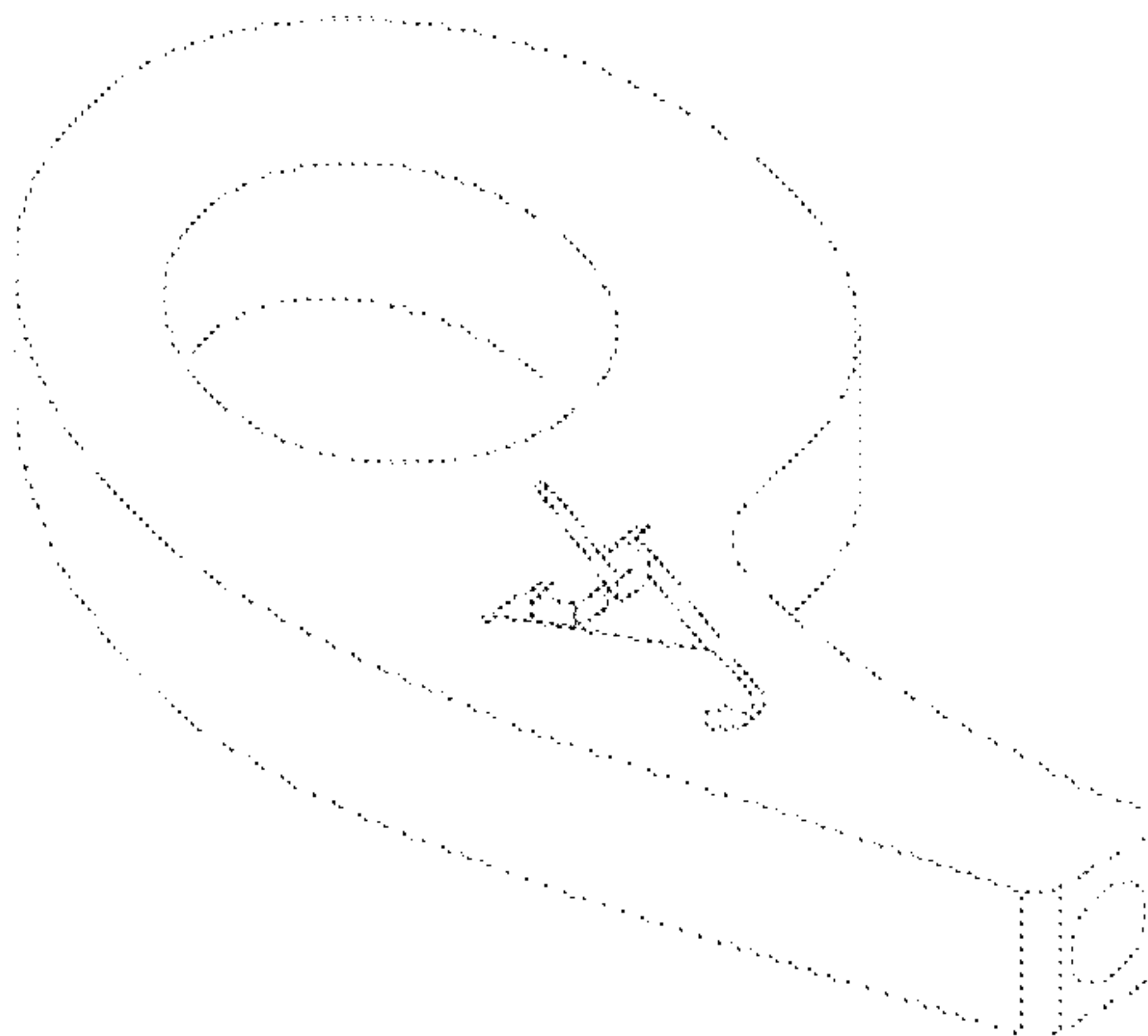
See application file for complete search history.

(56) **References Cited**

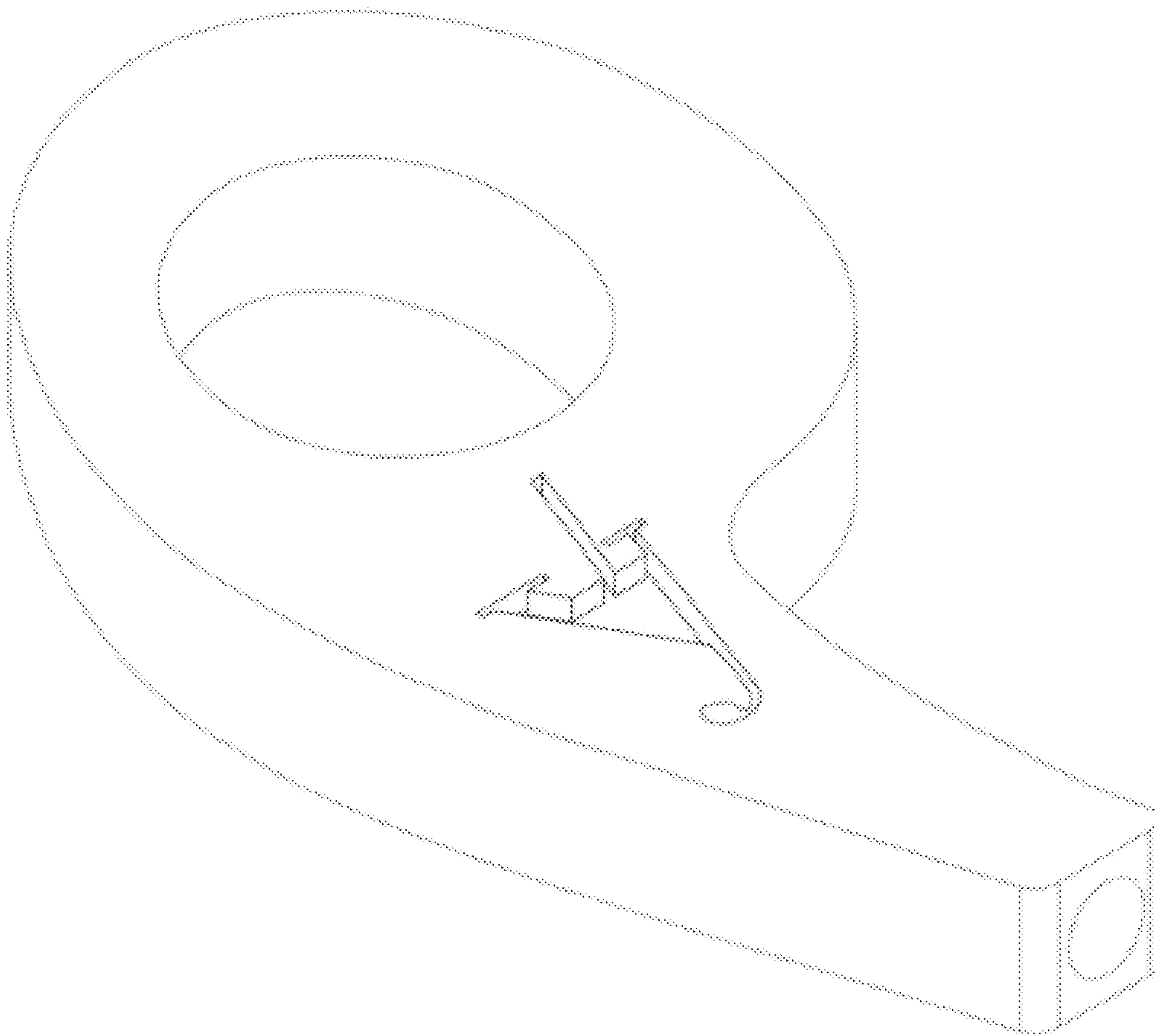
U.S. PATENT DOCUMENTS

D333,478 S * 2/1993 Metcalfe D16/315
 D334,583 S * 4/1993 Payton D16/338
 D398,325 S * 9/1998 Hall D16/325
 D417,883 S * 12/1999 Arnette D16/321

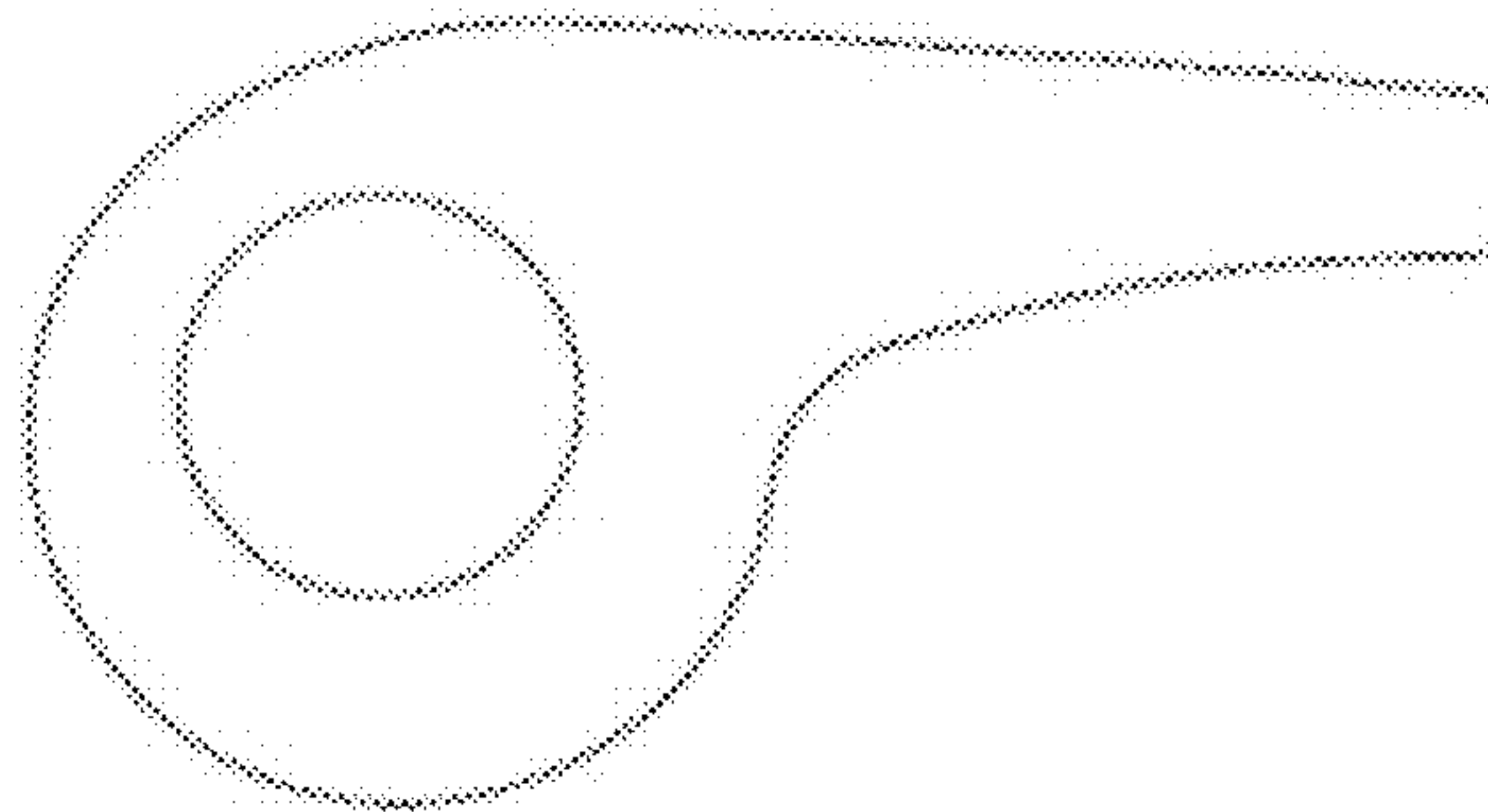
1 Claim, 14 Drawing Sheets



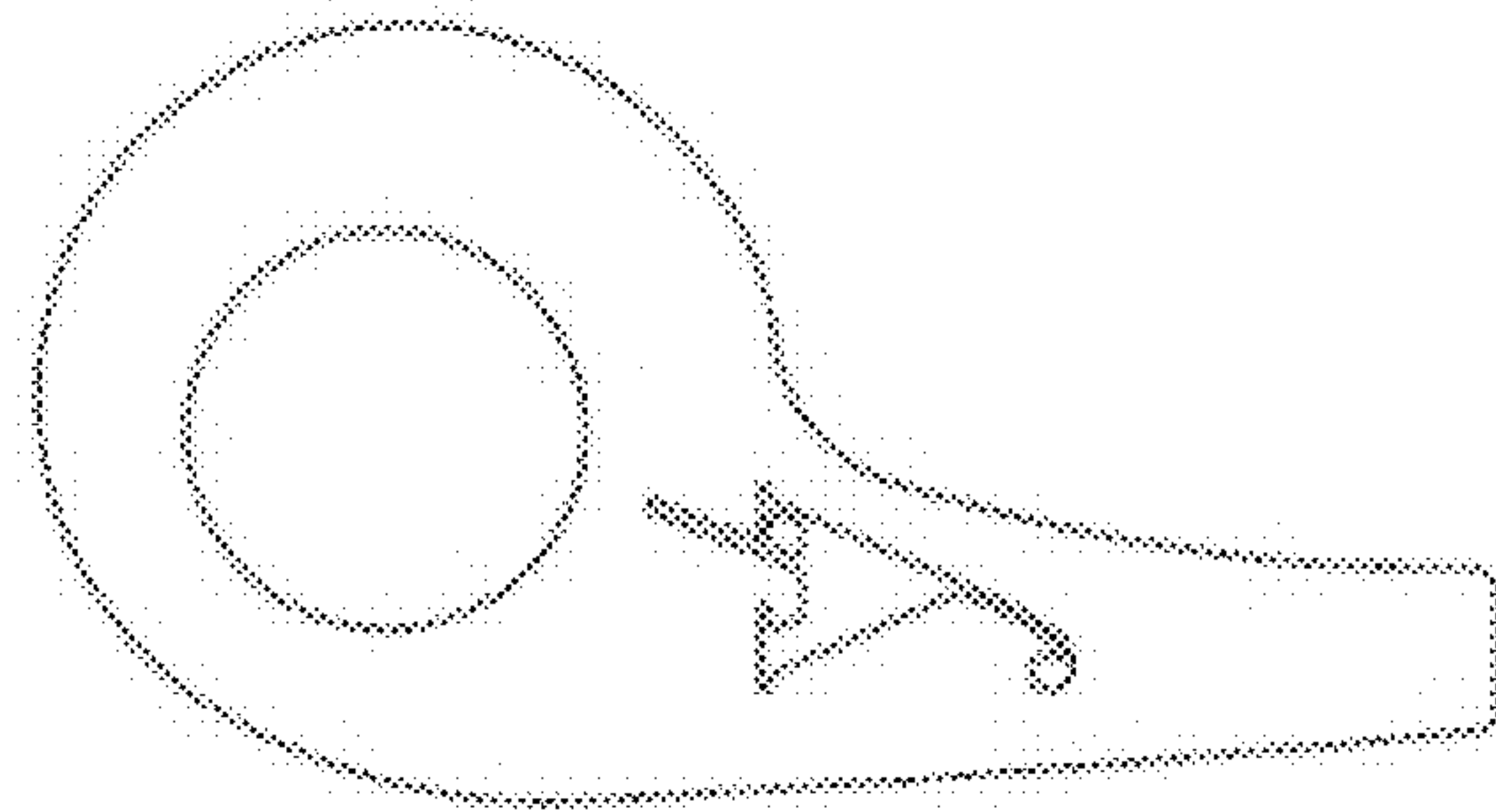
1.1



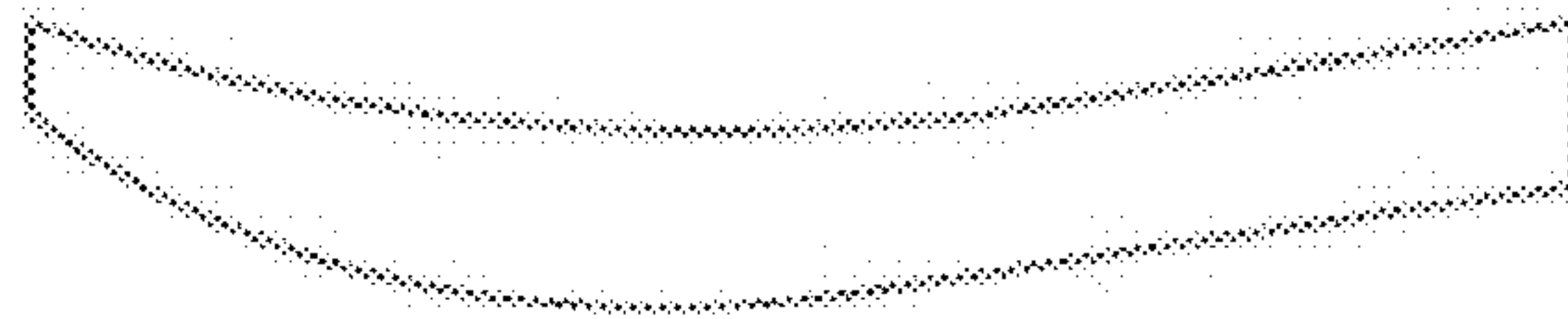
1.2



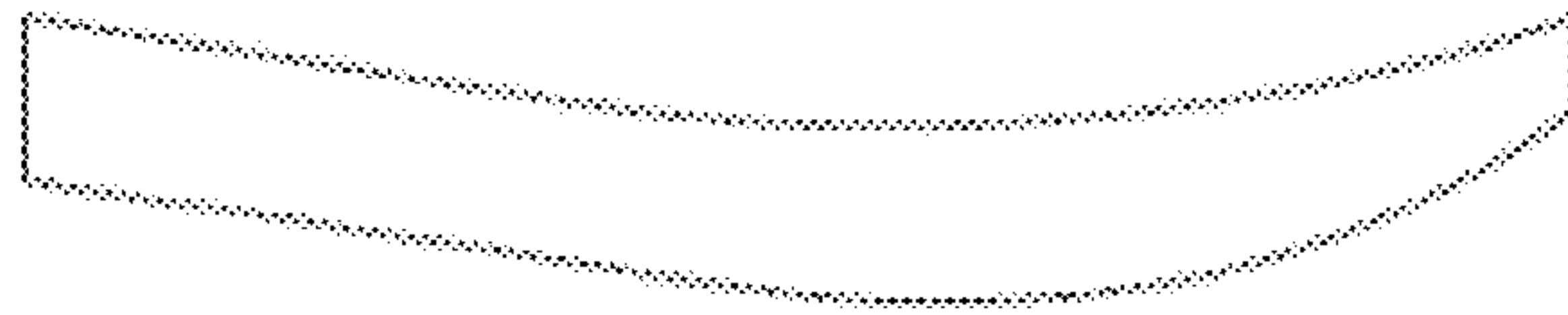
1.3



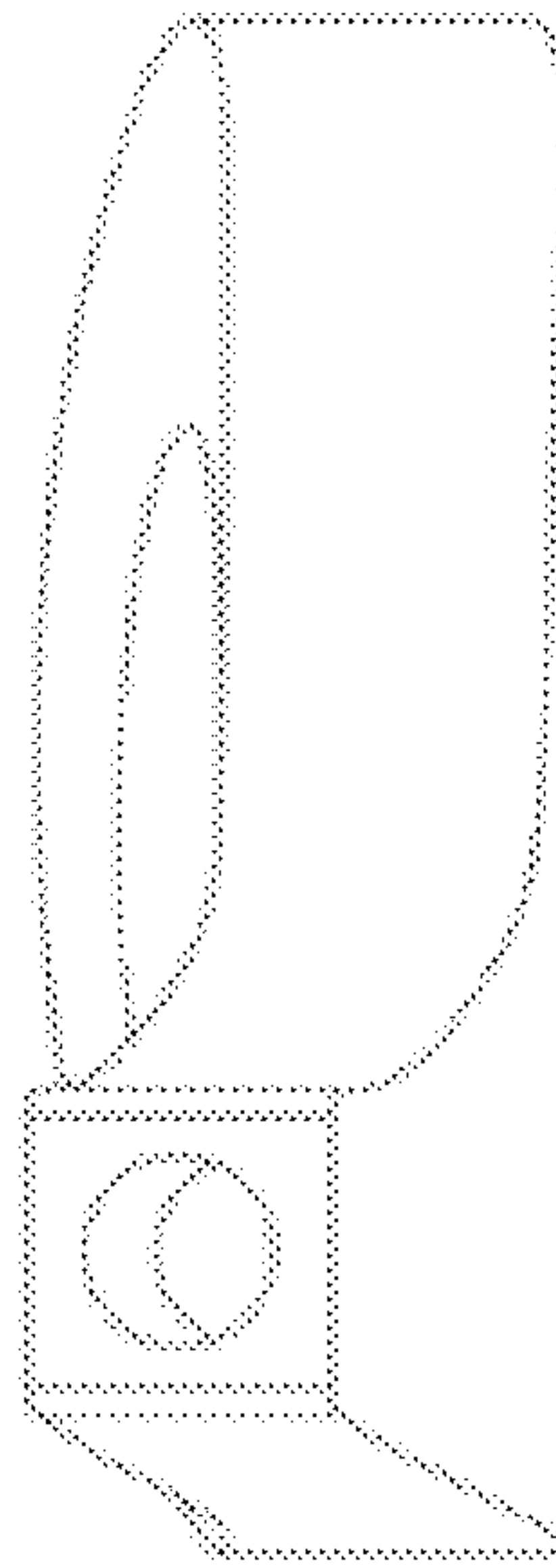
1.4



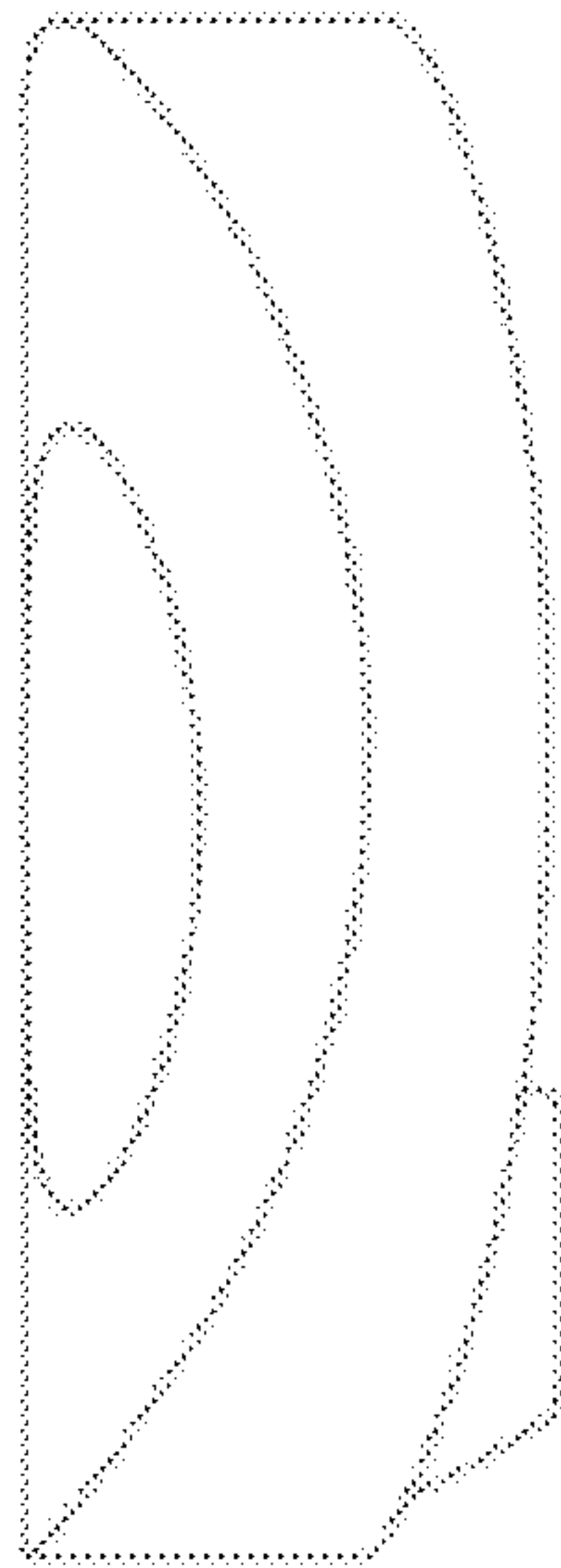
1.5



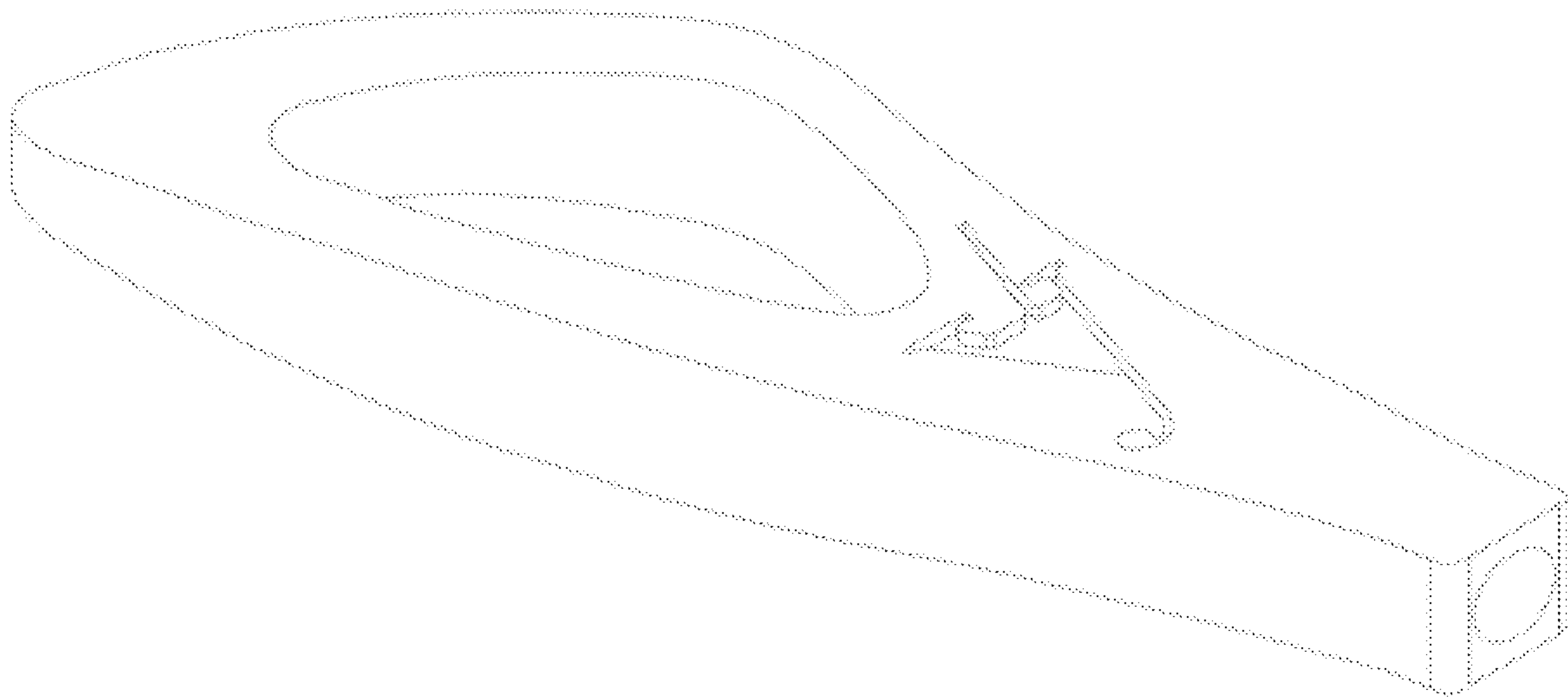
1.6



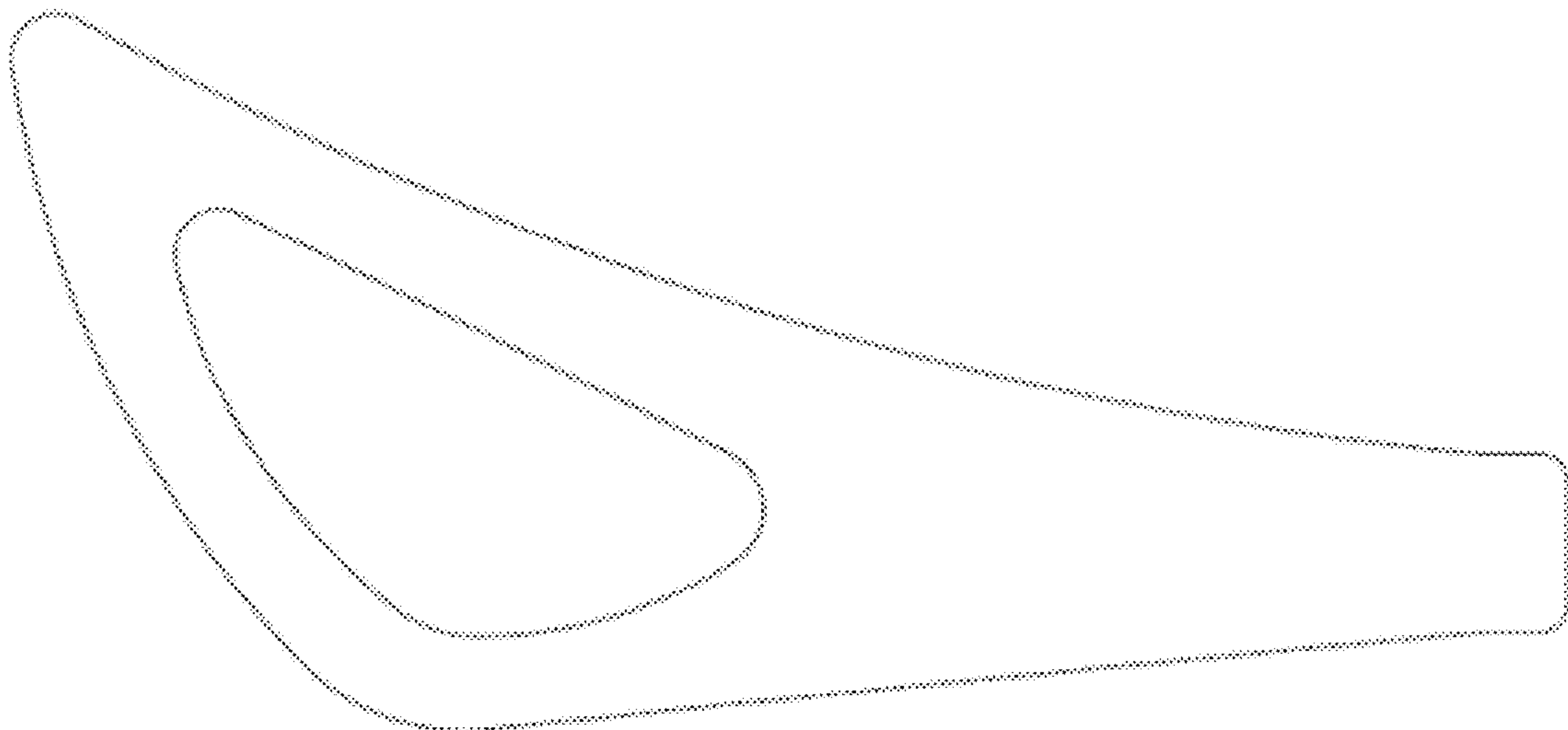
1.7



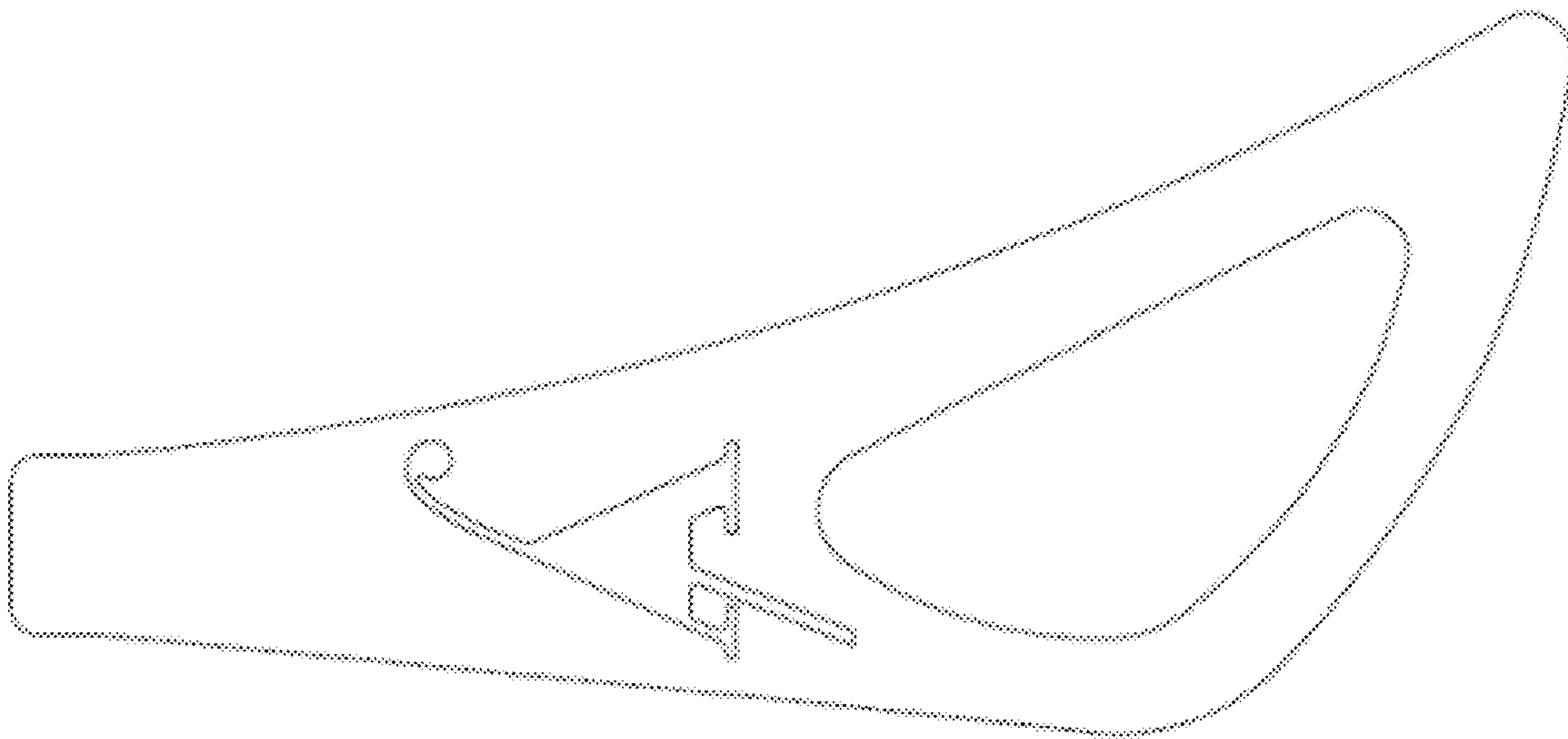
2.1



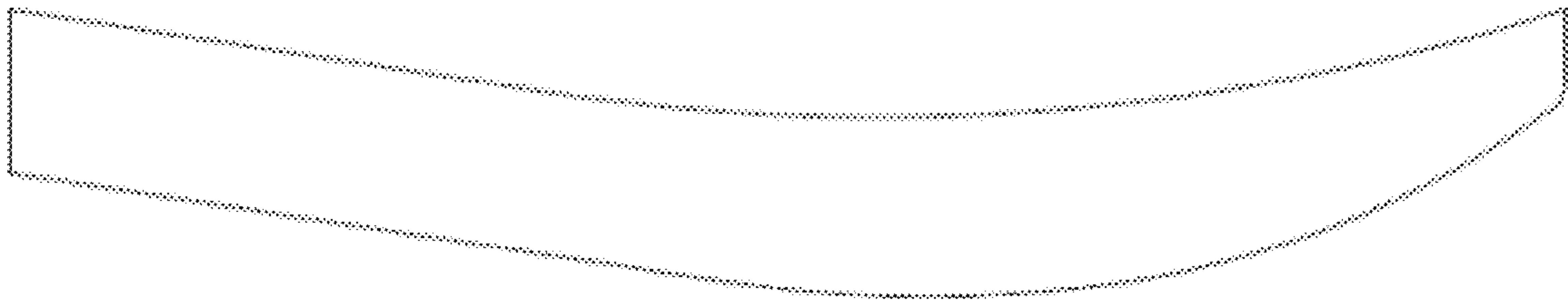
2.2



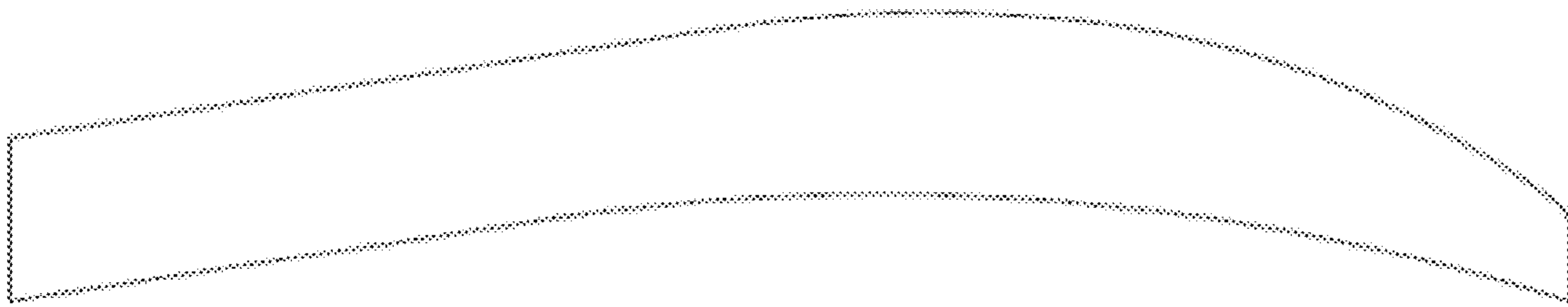
2.3



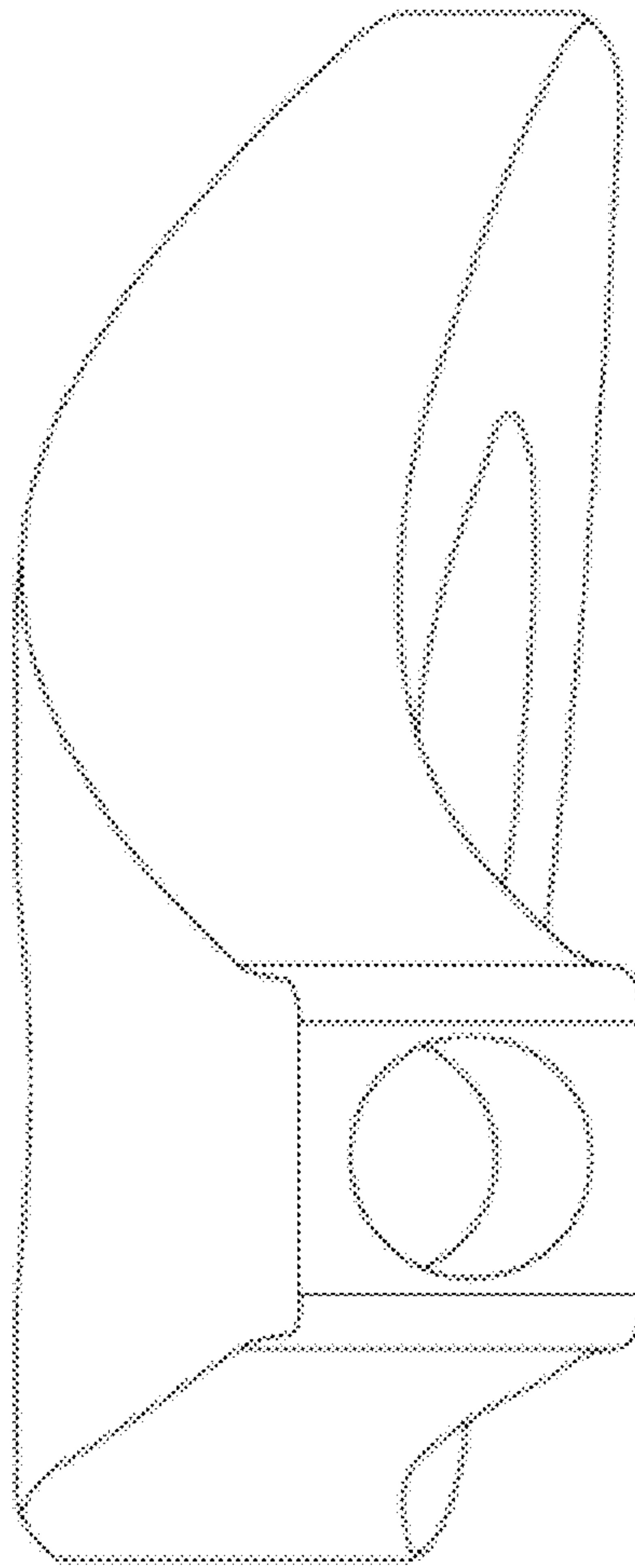
2.4



2.5



2.6



2.7

