



US00D842920S

(12) **United States Design Patent**
Yu et al.

(10) **Patent No.:** **US D842,920 S**
(45) **Date of Patent:** **** Mar. 12, 2019**

(54) **PHOTOGRAPHY SHOOTING BOX**

(56) **References Cited**

(71) Applicant: **HANGZHOU SHANGQUAN NETWORK TECHNOLOGY CO., LTD.**, Hangzhou, Zhejiang Province (CN)
(72) Inventors: **Hongqiang Yu**, Hangzhou (CN); **Xianzhuo Ye**, Hangzhou (CN); **Yuming Liu**, Hangzhou (CN); **Dalei Fan**, Hangzhou (CN); **Ran Zhao**, Hangzhou (CN)

U.S. PATENT DOCUMENTS

2,186,610 A * 1/1940 Leavitt G03B 11/06 396/337
3,406,814 A * 10/1968 Gulliver B65D 5/4204 206/497
4,122,470 A * 10/1978 Loranger G03B 11/00 396/337
D264,346 S * 5/1982 Gunn D16/237
D349,913 S * 8/1994 Morris D16/203
D446,717 S * 8/2001 Lancaster D9/418
D530,196 S * 10/2006 Wijerama D9/418
D551,969 S * 10/2007 Aurilio D9/418

(Continued)

(73) Assignee: **HANGZHOU BC NETWORK CO., LTD.**, Hangzhou (CN)

OTHER PUBLICATIONS

FotodioX LED Studio-in-a-Box. [online] Retrieved May 3, 2018 from URL: https://www.bhphotovideo.com/c/product/1265081-REG/fotodioX_led660_28x28_led_studio_in_a_box_28_x.html?ap=y&c3api=1876%2C92051678762%2C%2C&gclid=Cj0KCQjw5qrXBRC3ARIsAJq3bwp4KDyS6U3sljwP1hu_wU54Q-teiJoCIEo3t7EudR4903D5VLW.*

(Continued)

(**) Term: **15 Years**

Primary Examiner — Vy N Koenig

(21) Appl. No.: **29/609,157**

(74) *Attorney, Agent, or Firm* — Jiwen Chen

(22) Filed: **Jun. 28, 2017**

(30) **Foreign Application Priority Data**

Jan. 5, 2017 (CN) 2017 3 00042085

(51) **LOC (11) Cl.** **16-05**

(52) **U.S. Cl.**
USPC **D16/237**

(58) **Field of Classification Search**
USPC D16/219, 237-250; D14/224, 229, 238, D14/251, 253, 447, 451, 457; D8/354, D8/355, 363, 373, 382, 383, 394, 395, D8/396

CPC A45F 5/00; F16M 11/06-11/10; G02B 7/00-7/002; G03B 17/56; G03B 17/561; G03B 17/563; G03B 17/565; G03B 17/566; G03B 17/568; H04N 5/2253-5/2254

See application file for complete search history.

(57) **CLAIM**

The ornamental design for a photography shooting box, as shown and described.

DESCRIPTION

FIG. 1 is a perspective view of a photography shooting box showing our new design;
FIG. 2 is a front elevational view thereof;
FIG. 3 is a left side view thereof;
FIG. 4 is a right side view thereof;
FIG. 5 is a rear elevational view thereof;

(Continued)

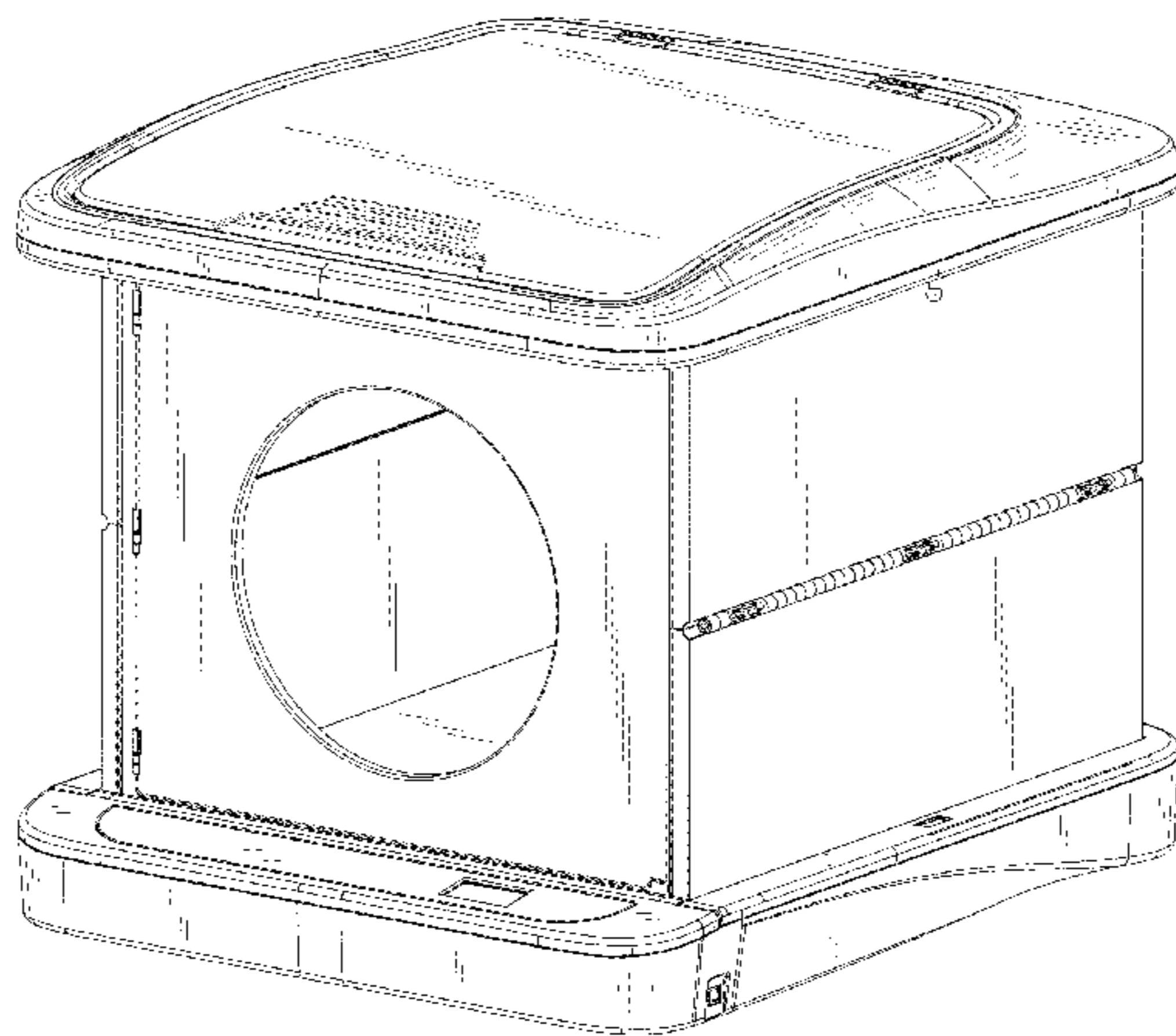


FIG. 6 is a top plan view thereof;
FIG. 7 is a bottom plan view thereof; and,
FIG. 8 is a perspective view of the photography shooting
box when it is folded or collapsed.

The broken lines in the drawings depict portions of the
photography shooting box that form no part of the claimed
design.

1 Claim, 8 Drawing Sheets

(56)

References Cited

U.S. PATENT DOCUMENTS

D701,455	S	*	3/2014	Shepherd	D9/418
D702,565	S	*	4/2014	Gale	D9/734
D704,244	S	*	5/2014	Ham	D16/237
D727,992	S	*	4/2015	Tu	D16/215
D775,523	S	*	1/2017	Platt	D9/418

OTHER PUBLICATIONS

Shotbox Light Box Studio Bundle. Portable, Collapsible, Table Top
Photo Tent. [online] Retrieved May 3, 2018 from URL: [https://
www.amazon.co.uk/SHOTBOX-Collapsible-Backdrops-Professional-
Photography/dp/B019DAOUKC](https://www.amazon.co.uk/SHOTBOX-Collapsible-Backdrops-Professional-Photography/dp/B019DAOUKC).*

* cited by examiner

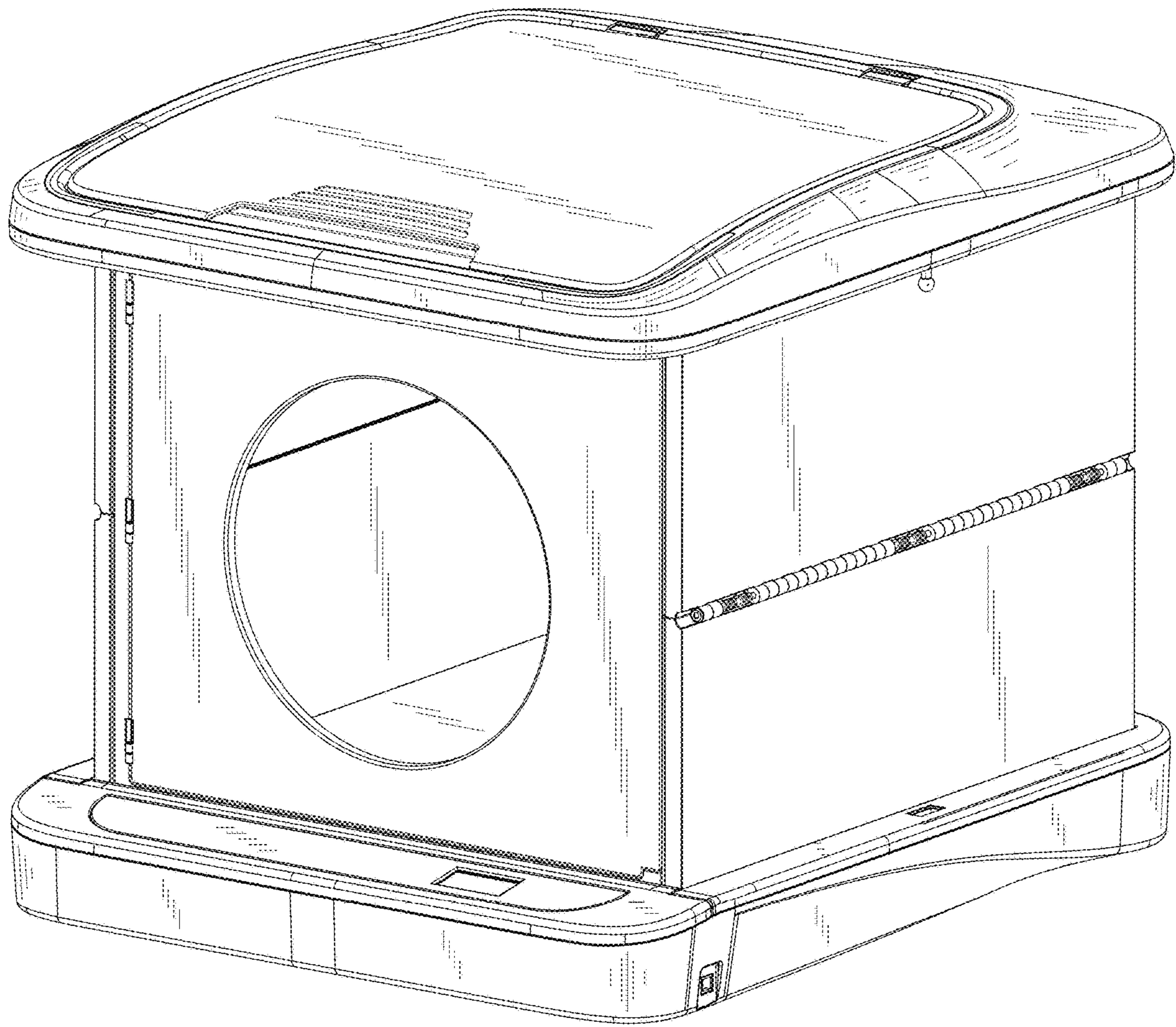


FIG. 1

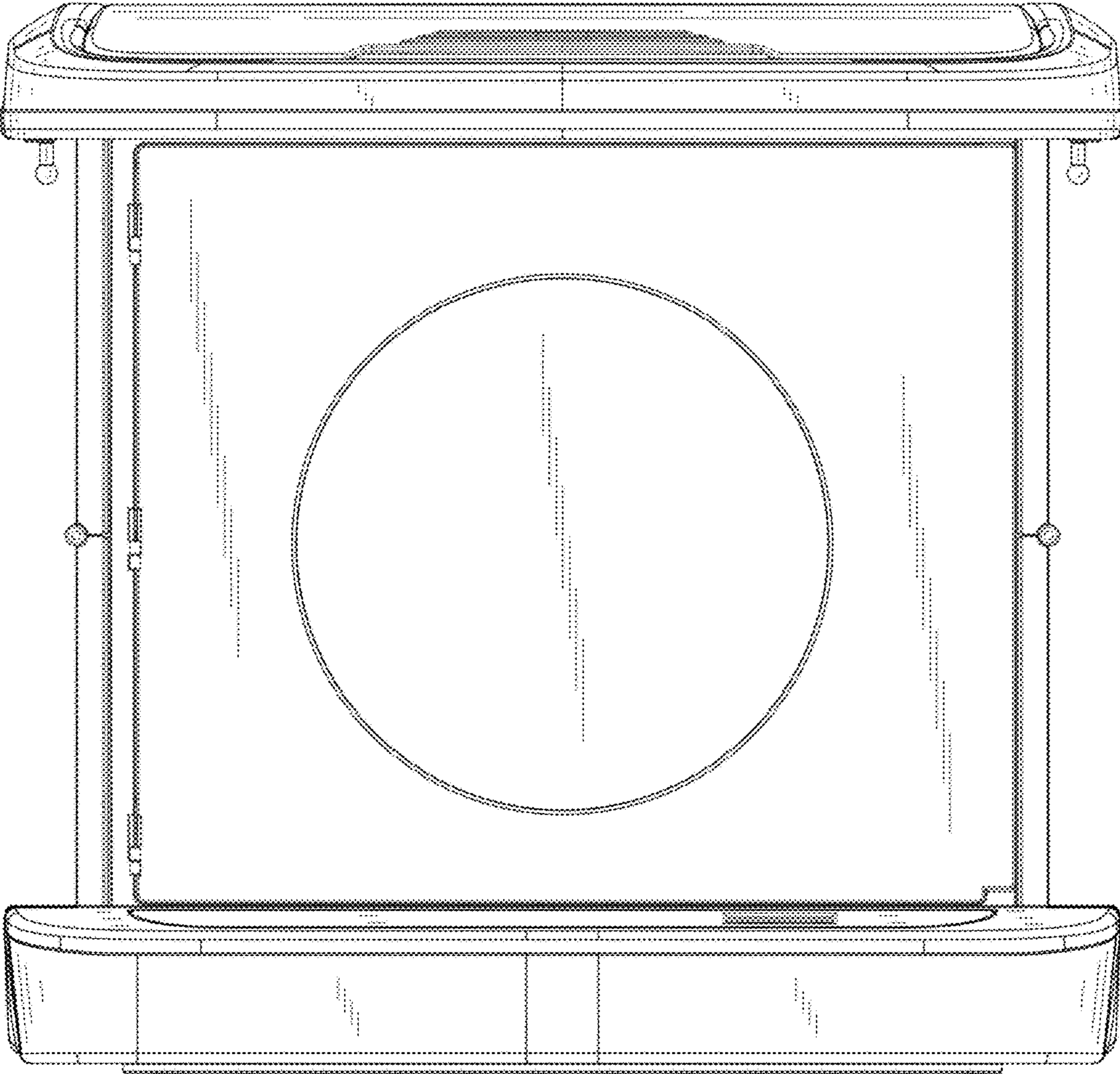


FIG. 2

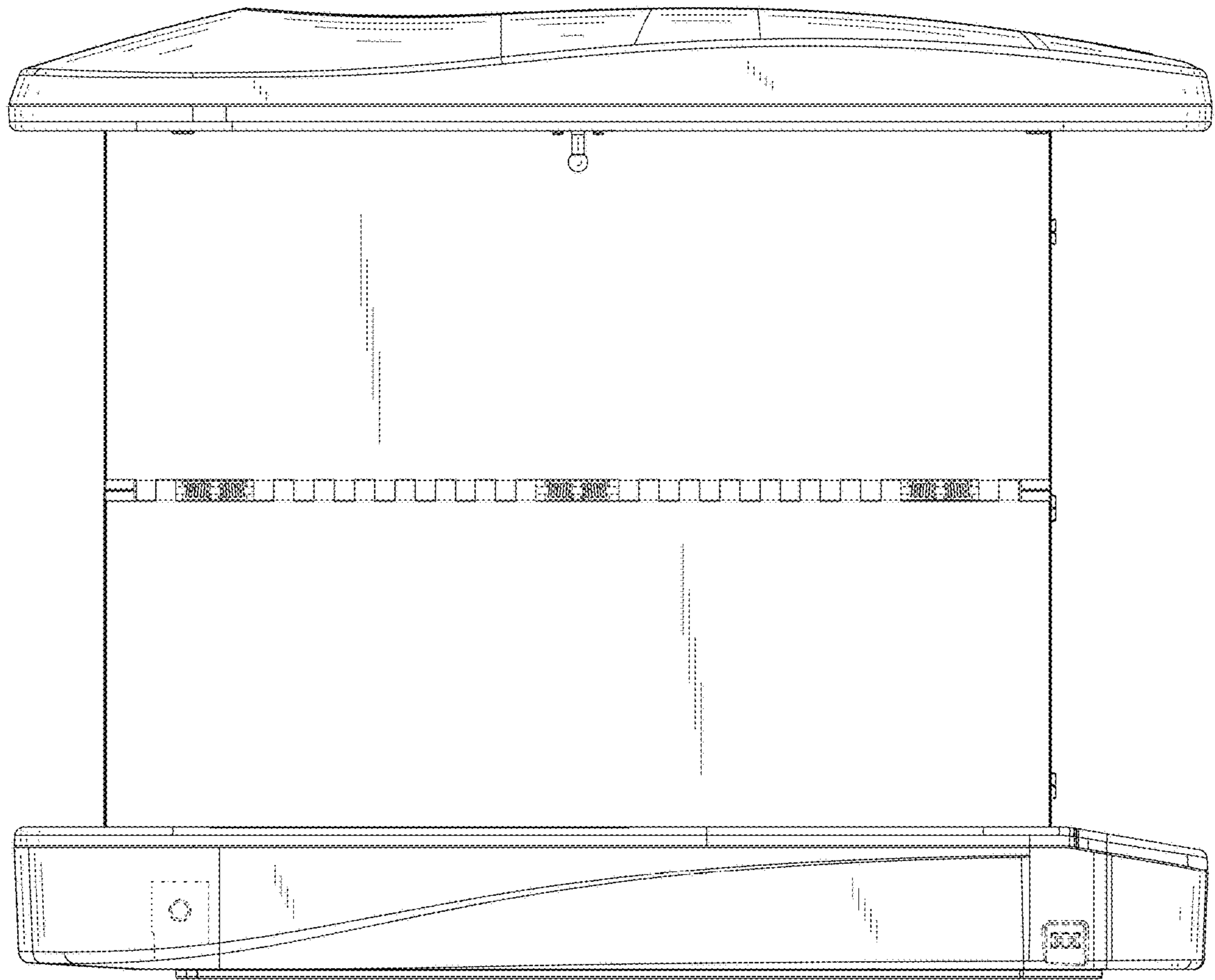


FIG. 3

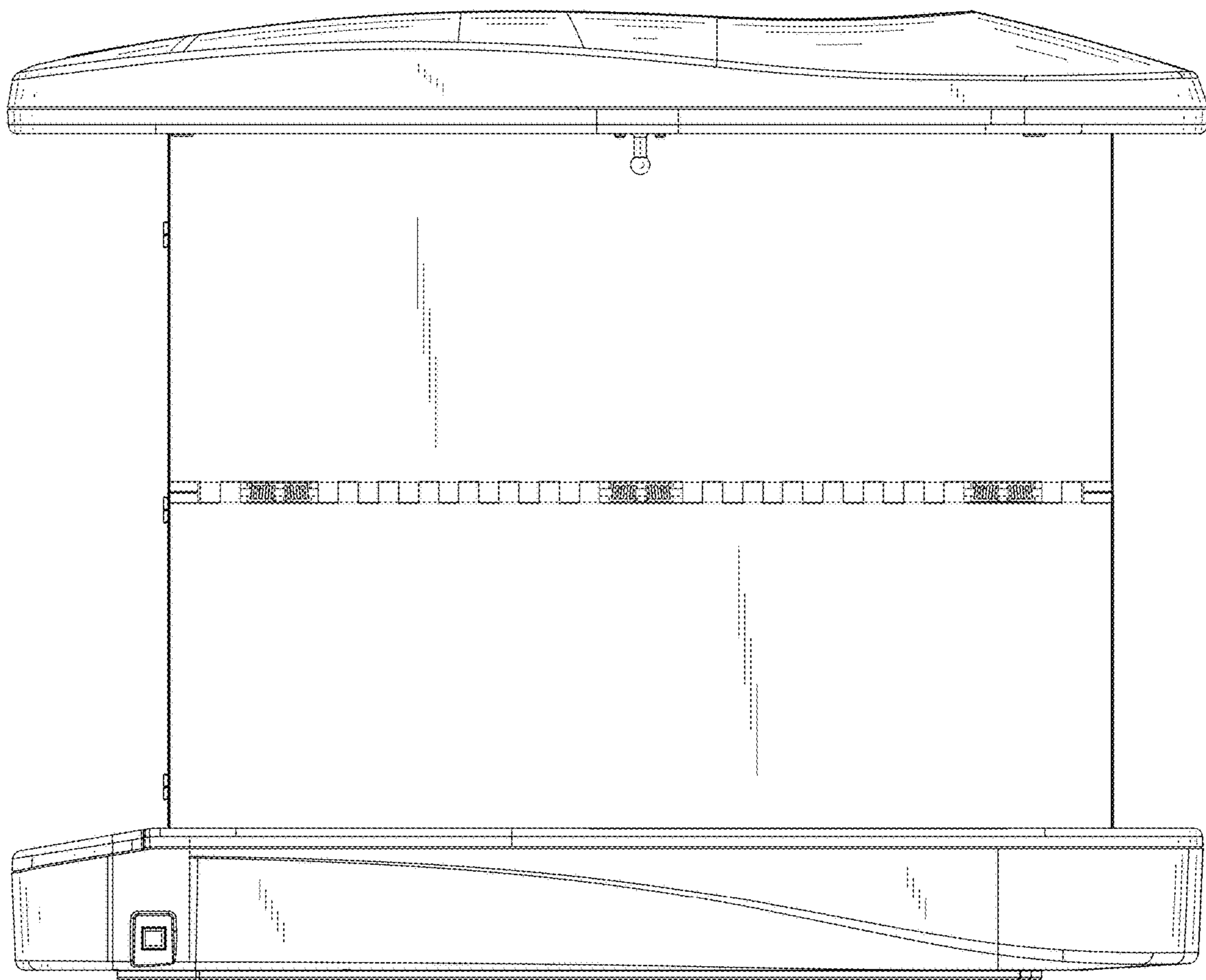


FIG. 4

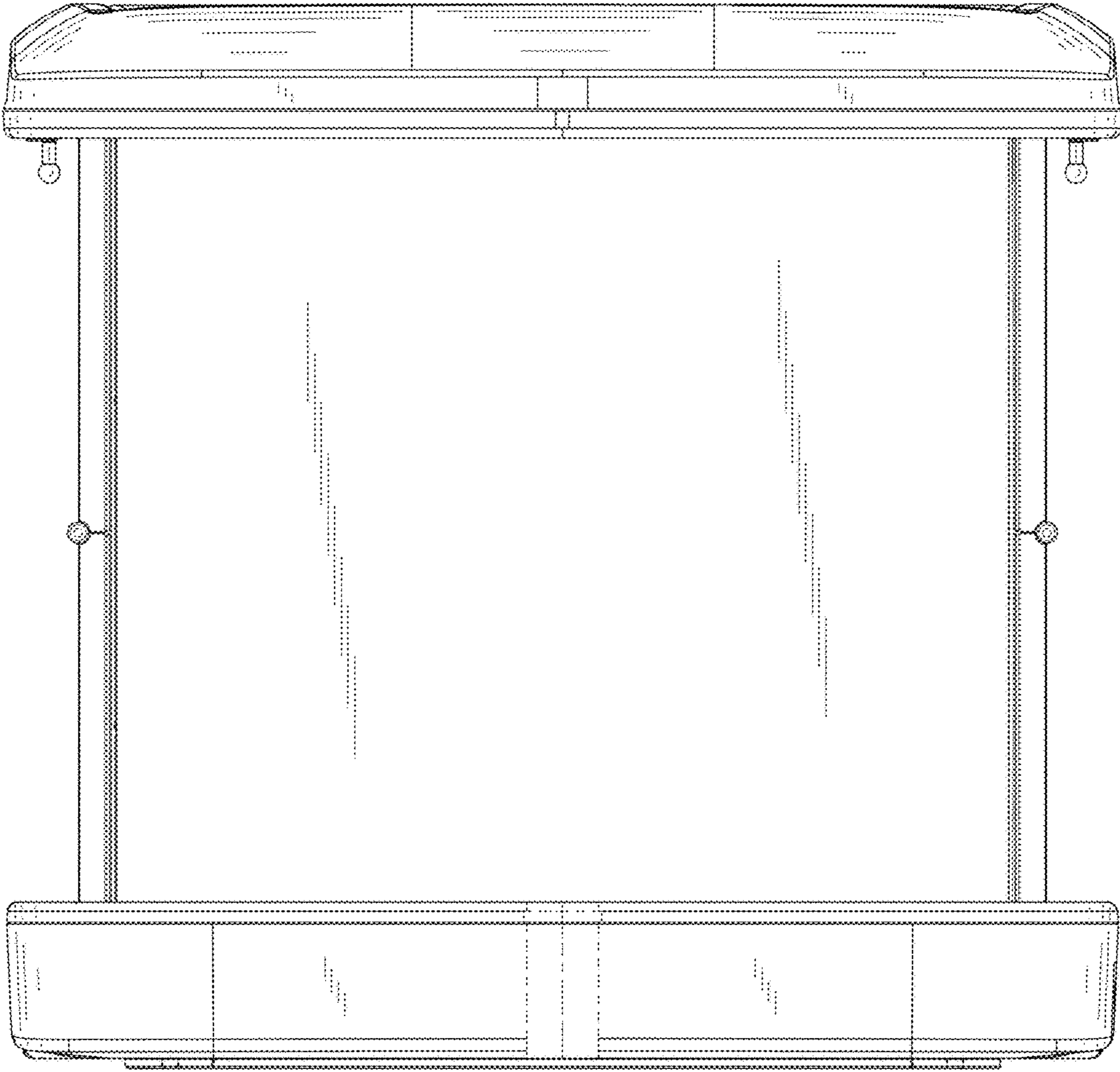


FIG. 5

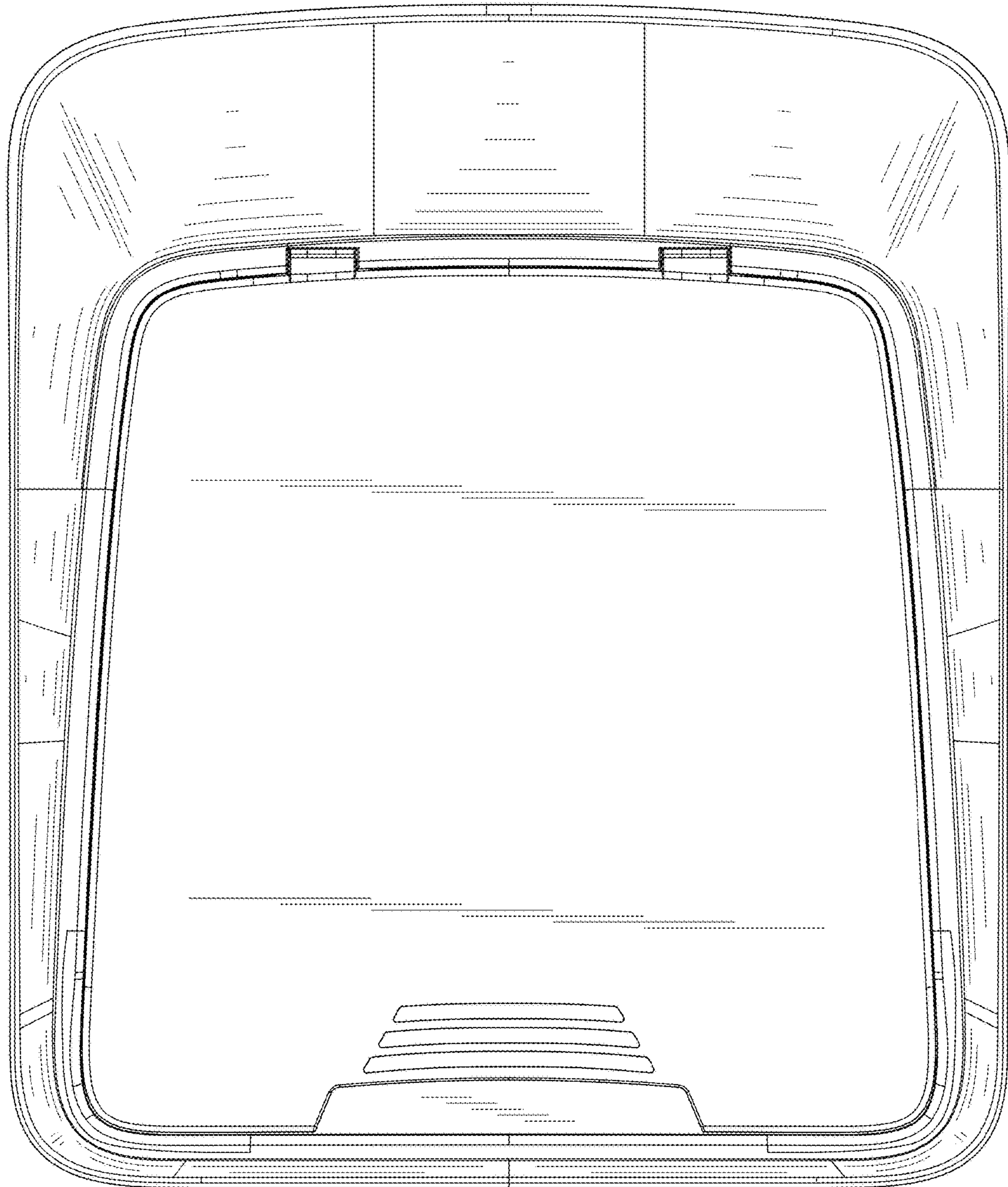


FIG. 6

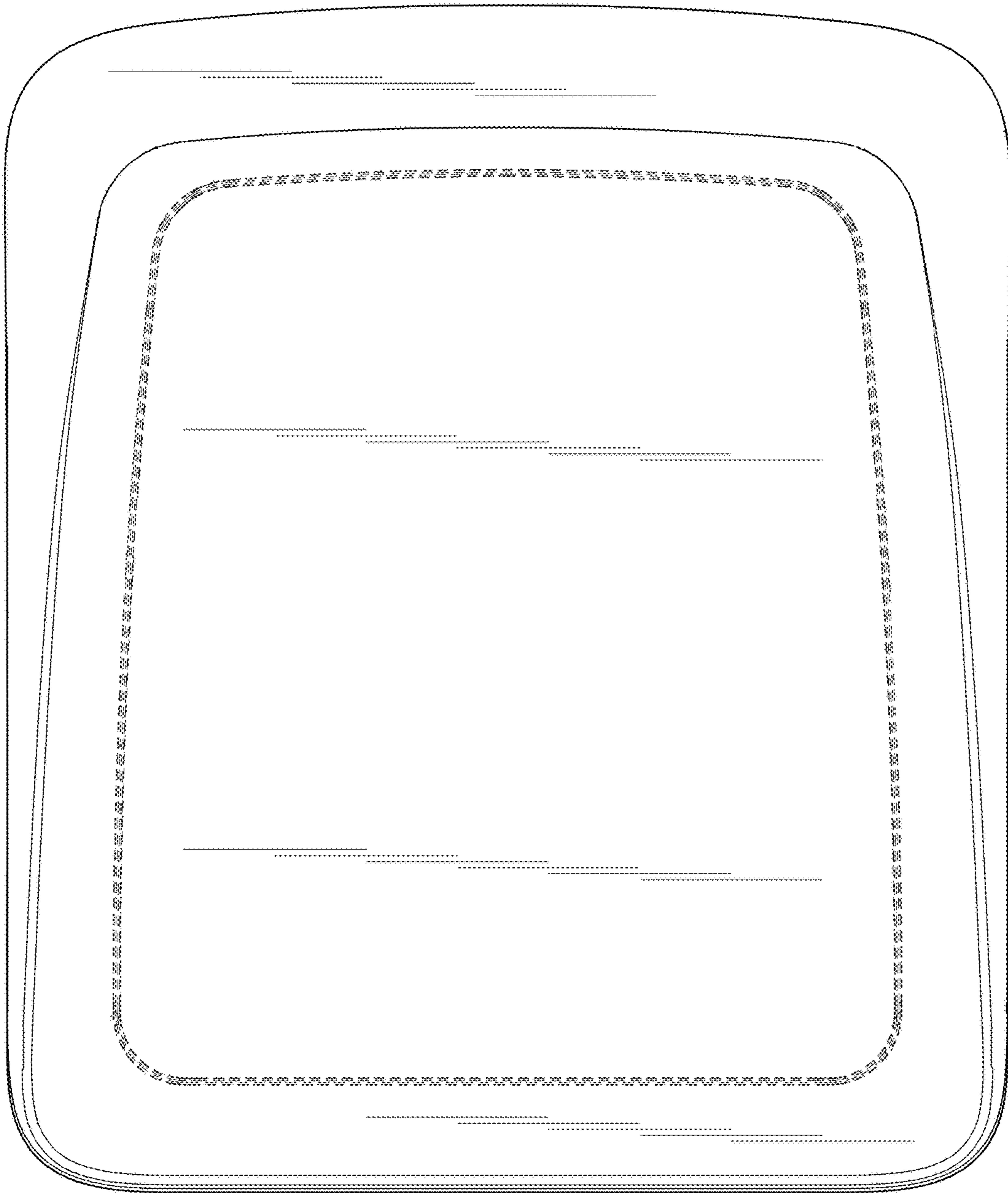


FIG. 7



FIG. 8