



US00D842918S

(12) **United States Design Patent**  
**Sakai**

(10) **Patent No.:** **US D842,918 S**  
(45) **Date of Patent:** **\*\* Mar. 12, 2019**

(54) **LENS FOR CAMERA**

(71) Applicant: **FUJIFILM Corporation**, Tokyo (JP)

(72) Inventor: **Hiroyuki Sakai**, Saitama (JP)

(73) Assignee: **FUJIFILM Corporation**, Minato-Ku, Tokyo (JP)

(\*\*) Term: **15 Years**

(21) Appl. No.: **29/594,342**

(22) Filed: **Feb. 17, 2017**

(30) **Foreign Application Priority Data**

Aug. 23, 2016 (JP) ..... 2016-017867  
Aug. 23, 2016 (JP) ..... 2016-017868  
Aug. 23, 2016 (JP) ..... 2016-017869

(51) **LOC (11) Cl.** ..... **16-05**

(52) **U.S. Cl.**  
USPC ..... **D16/219**

(58) **Field of Classification Search**

USPC ..... D16/200–220, 131  
CPC ... G02B 7/02; G02B 7/04; G02B 7/14; G02B 3/14; G03B 17/00; G03B 17/02; G03B 17/56; G03B 17/04; G03B 17/14; G03B 15/03; G03B 9/08; H04N 5/2251; H04N 5/2252; H04N 5/2253; H04N 5/2254; H04N 7/00; H04N 2101/00; F16M 13/00

See application file for complete search history.

(56) **References Cited**

**U.S. PATENT DOCUMENTS**

2,136,149 A \* 11/1938 Nuchterlein ..... G02B 7/02 359/827  
D150,228 S \* 7/1948 Harvey ..... D16/218  
2,902,901 A \* 9/1959 Back ..... G02B 7/04 359/691

(Continued)

**FOREIGN PATENT DOCUMENTS**

JP HC26020384 3/2015

**OTHER PUBLICATIONS**

Japanese Office Action of JP 2016-017868, dated Jan. 31, 2017.

*Primary Examiner* — Barbara Fox

*Assistant Examiner* — Mary C Ramirez

(74) *Attorney, Agent, or Firm* — Sughrue Mion, PLLC

(57) **CLAIM**

The ornamental design for a lens for camera, as shown and described.

**DESCRIPTION**

The file of this patent contains at least one drawing executed in color. Copies of this patent with color drawings will be provided by the United States Patent and Trademark Office upon request and payment of the necessary fee.

FIG. 1 is a front view of a lens for camera showing the new design in a first embodiment;

FIG. 2 is a rear view thereof;

FIG. 3 is a top view thereof;

FIG. 4 is a bottom view thereof;

FIG. 5 is a right side view thereof;

FIG. 6 is a left side view thereof;

FIG. 7 is a front, right perspective view thereof;

FIG. 8 is a front view of a lens for camera in a second embodiment

FIG. 9 is a rear view thereof;

FIG. 10 is a top view thereof;

FIG. 11 is a bottom view thereof;

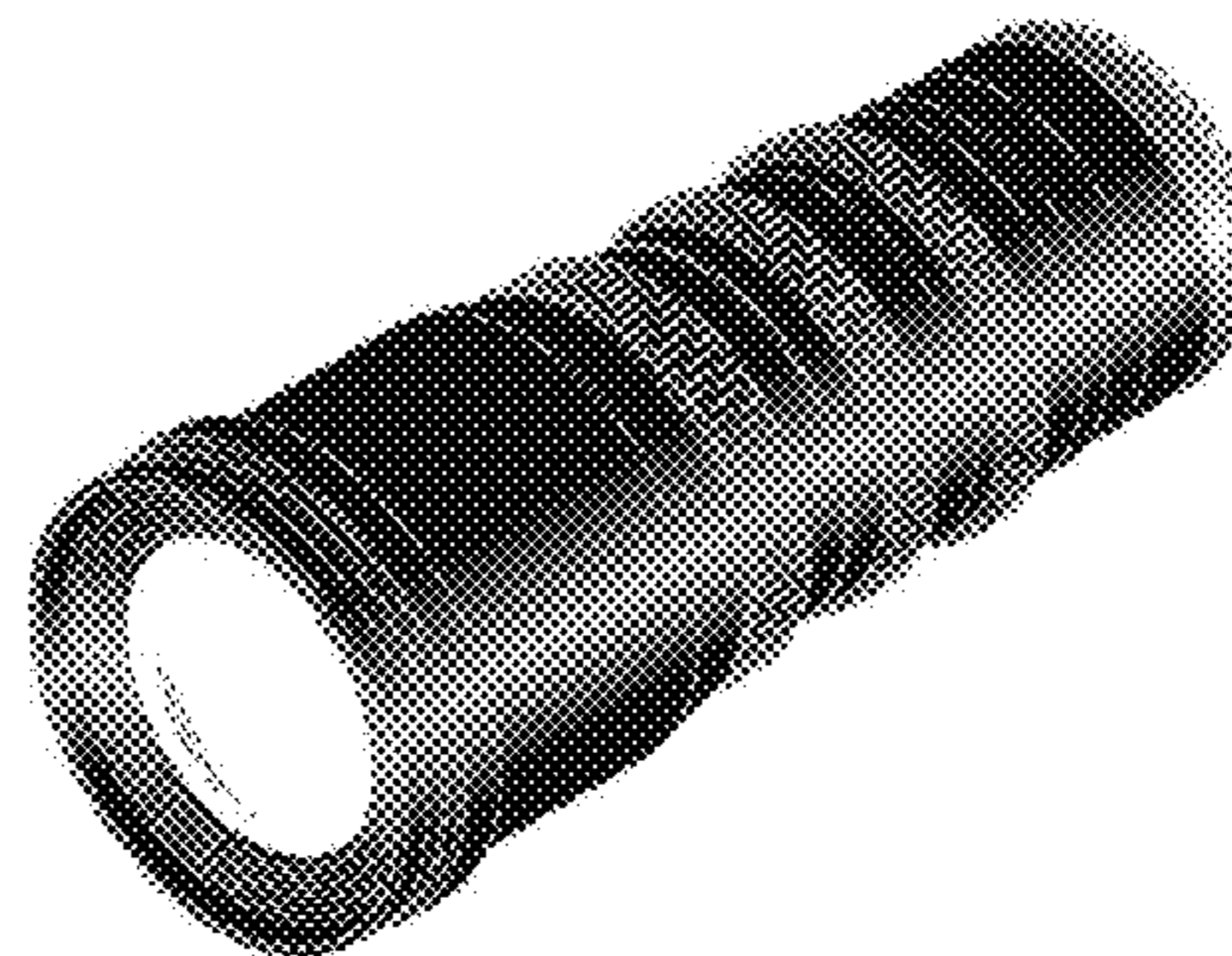
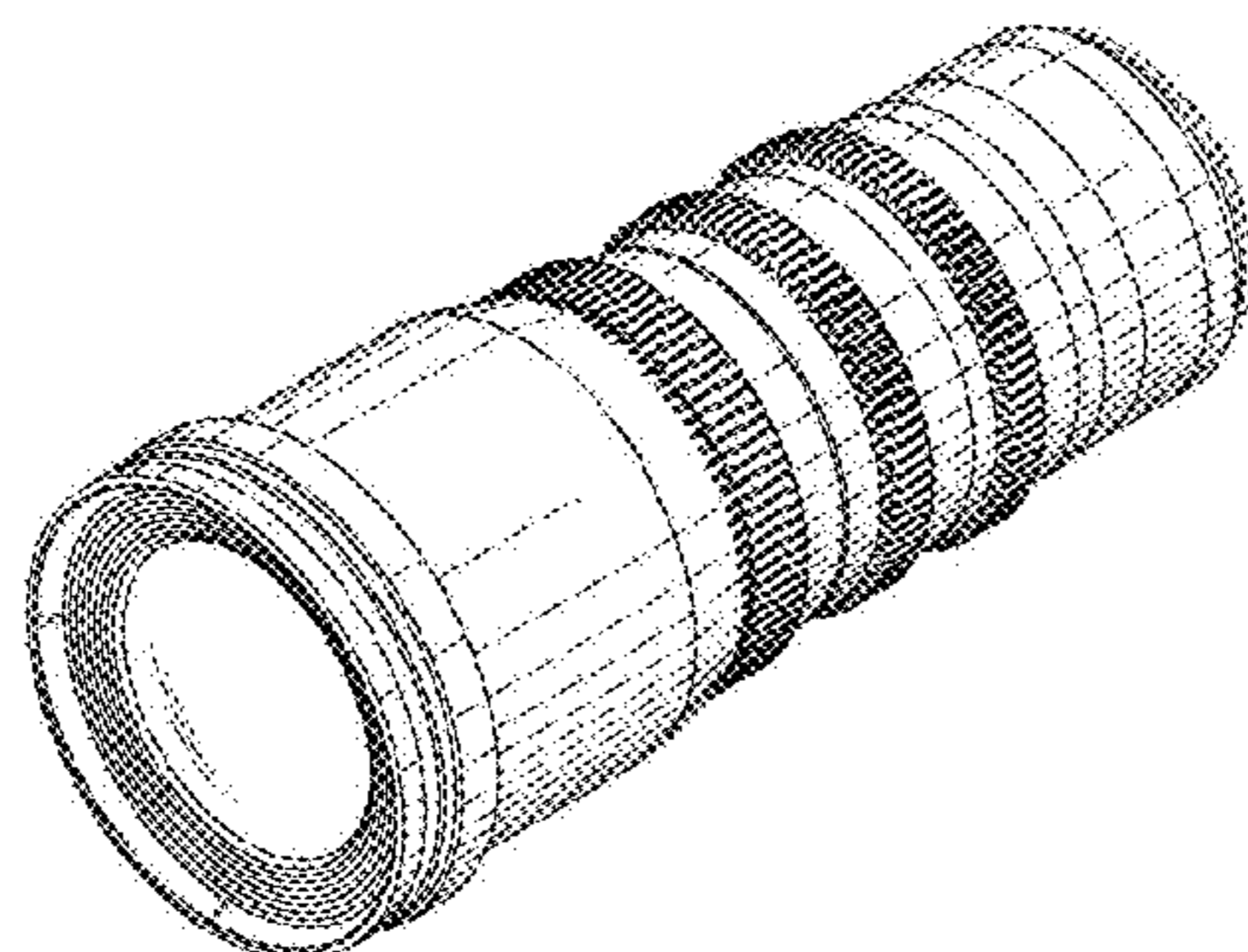
FIG. 12 is a right side view thereof;

FIG. 13 is a left side view thereof; and,

FIG. 14 is a front, right perspective view thereof.

The broken lines shown in the drawings depict portions of the lens for camera that form no part of the claimed design.

**1 Claim, 10 Drawing Sheets**  
**(5 of 10 Drawing Sheet(s) Filed in Color)**



(56)

References Cited

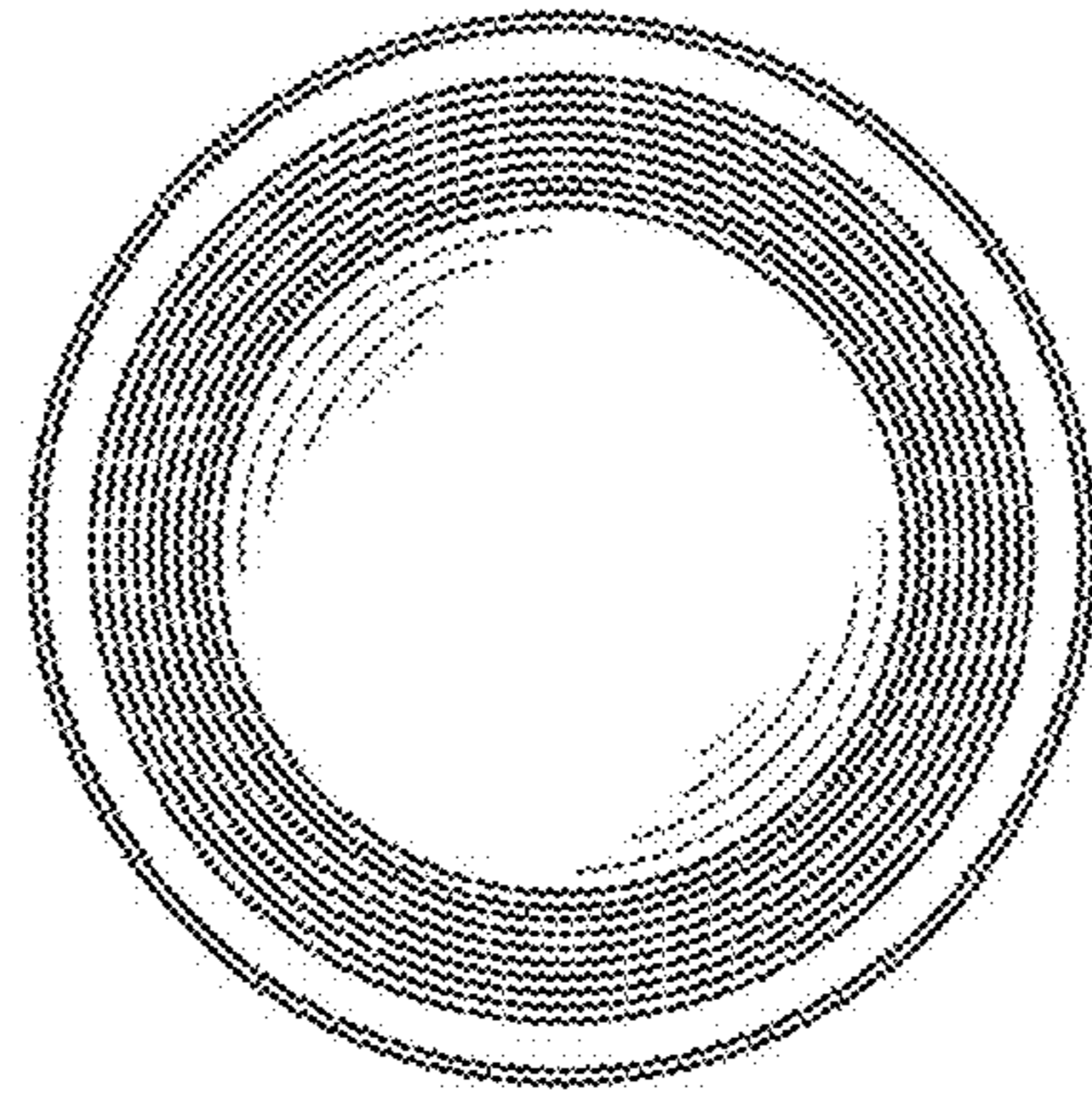
U.S. PATENT DOCUMENTS

D240,766 S \* 7/1976 Franzmann ..... D16/217  
 D303,976 S \* 10/1989 Kimura ..... D16/134  
 D327,286 S \* 6/1992 Fukutomi ..... D16/202  
 D337,775 S \* 7/1993 Takahashi ..... D16/134  
 6,377,408 B1 \* 4/2002 Shinohara ..... G02B 7/04  
 174/254  
 D548,262 S \* 8/2007 Nakamura ..... D16/134  
 D573,167 S \* 7/2008 Kitera ..... D16/134  
 D684,620 S \* 6/2013 Kim ..... D16/219  
 D697,542 S \* 1/2014 Kim ..... D16/219  
 D697,543 S \* 1/2014 Kim ..... D16/219  
 D717,356 S \* 11/2014 Nikaido ..... D16/134  
 D726,239 S \* 4/2015 So ..... D16/219  
 D737,360 S \* 8/2015 Jung ..... D16/219  
 D741,938 S \* 10/2015 Lee ..... D16/219  
 D768,226 S \* 10/2016 Kawamura ..... D16/219  
 D781,949 S \* 3/2017 Lee ..... D16/219

9,791,660 B2 \* 10/2017 Takeshita ..... G02B 7/04  
 9,846,350 B2 \* 12/2017 Takeshita ..... G03B 13/32  
 2003/0189771 A1 \* 10/2003 Takeda ..... H04N 5/2254  
 359/819  
 2007/0166028 A1 \* 7/2007 Kranz ..... G02B 7/14  
 396/529  
 2014/0178060 A1 \* 6/2014 Saita ..... G03B 9/02  
 396/241  
 2014/0369674 A1 \* 12/2014 Neff ..... G03B 11/041  
 396/448  
 2015/0062408 A1 \* 3/2015 Yano ..... G03B 3/10  
 348/335  
 2015/0355434 A1 \* 12/2015 Matsumoto ..... G02B 7/04  
 348/335  
 2016/0227099 A1 \* 8/2016 Hansen ..... H04N 5/23209  
 2016/0299413 A1 \* 10/2016 Fee ..... G03B 17/568  
 2017/0199347 A1 \* 7/2017 Takeshita ..... G02B 7/04  
 2017/0351051 A1 \* 12/2017 Kawamura ..... G02B 9/60

\* cited by examiner

**FIG. 1**



**FIG. 2**

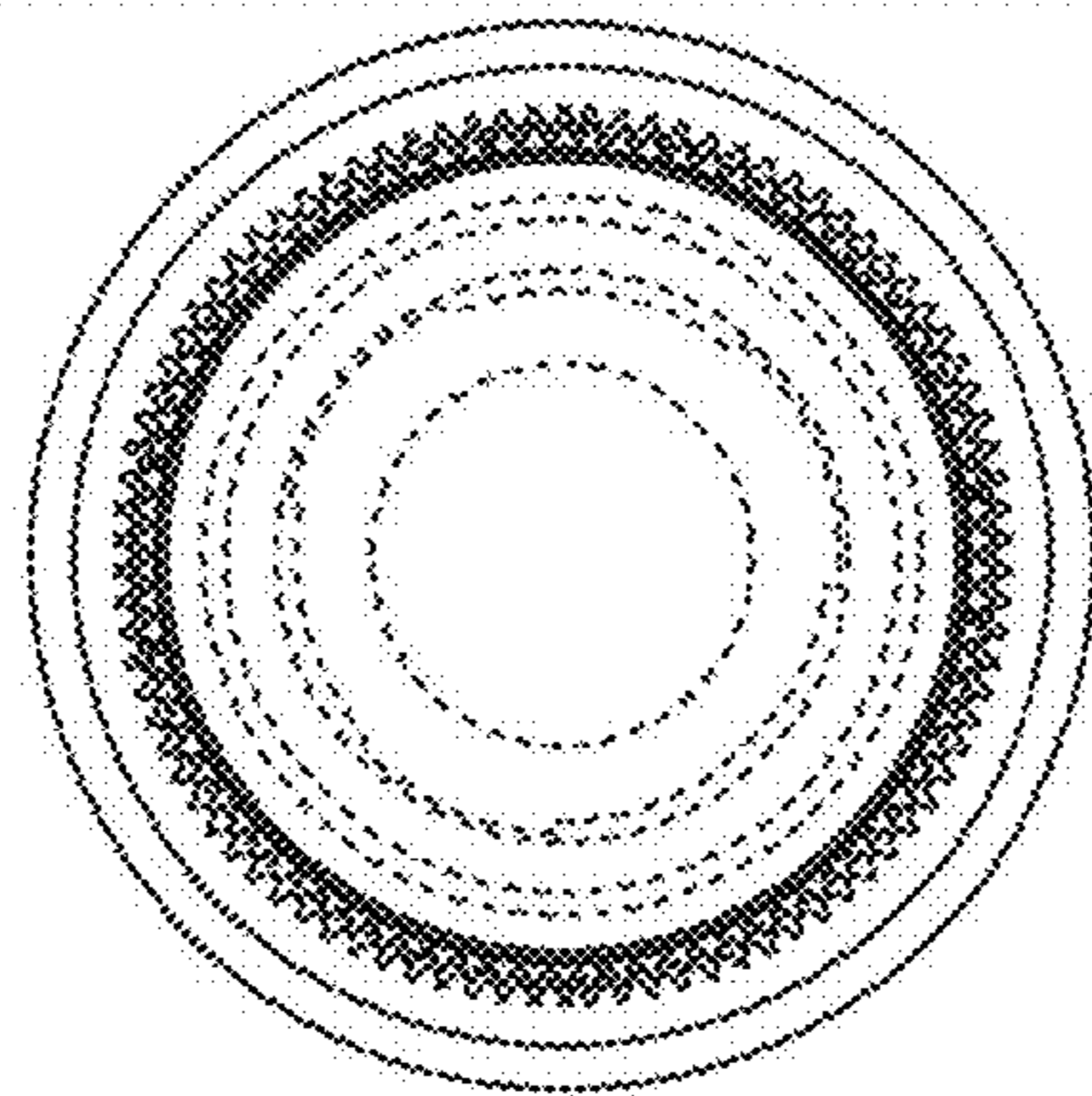


FIG. 3

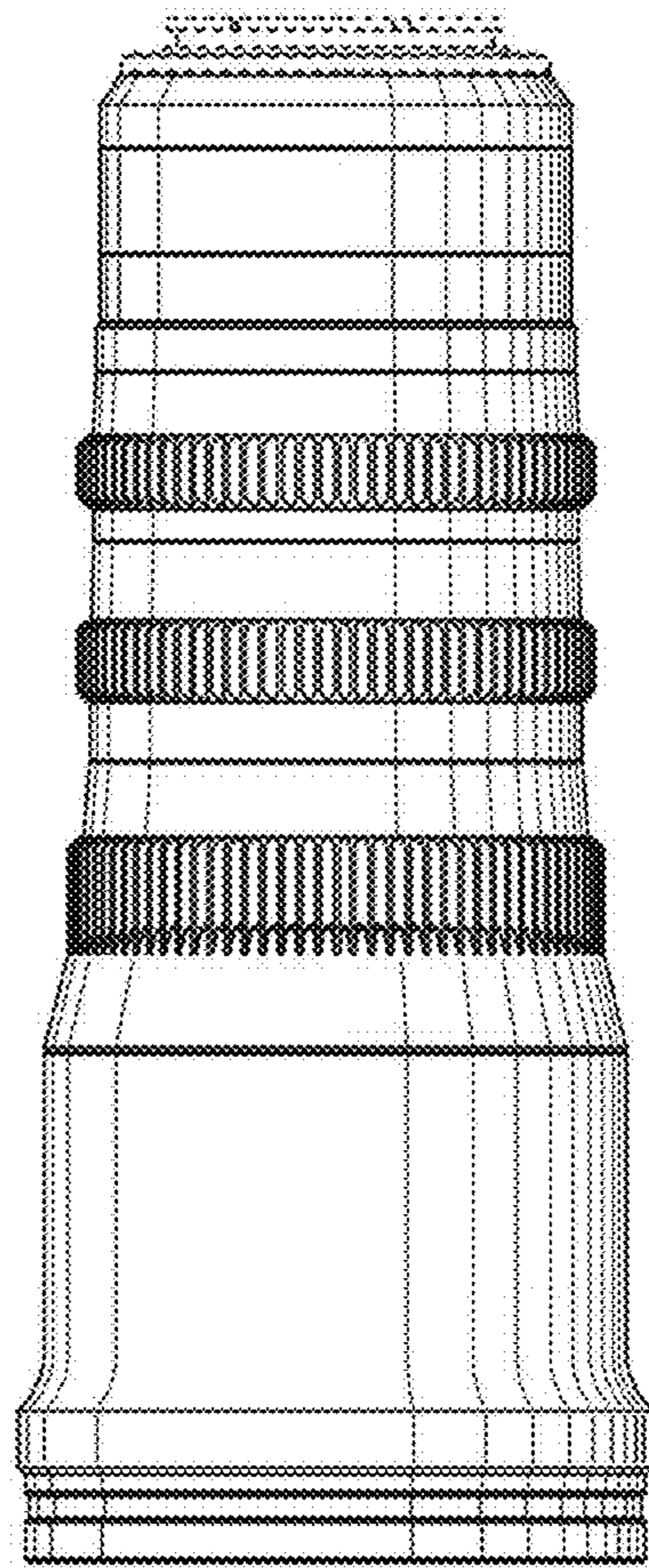


FIG. 4

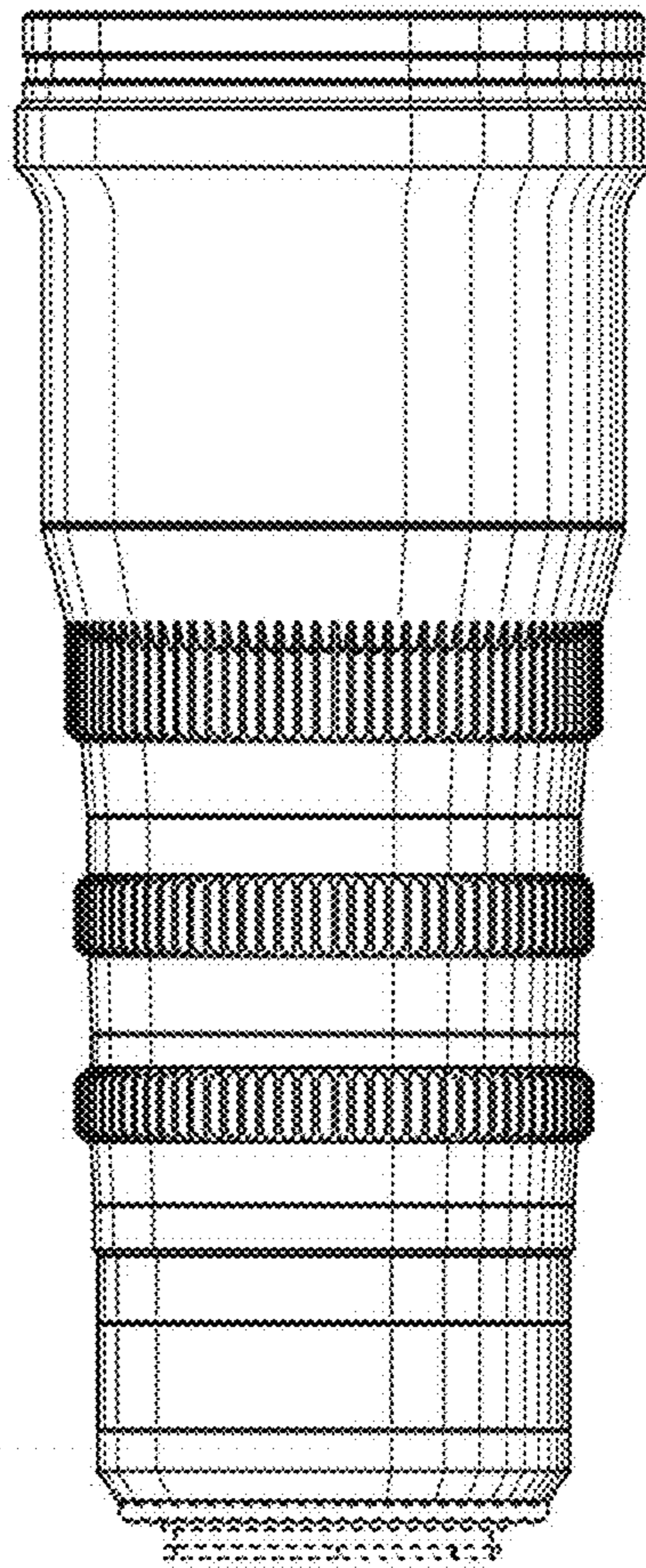


FIG. 5

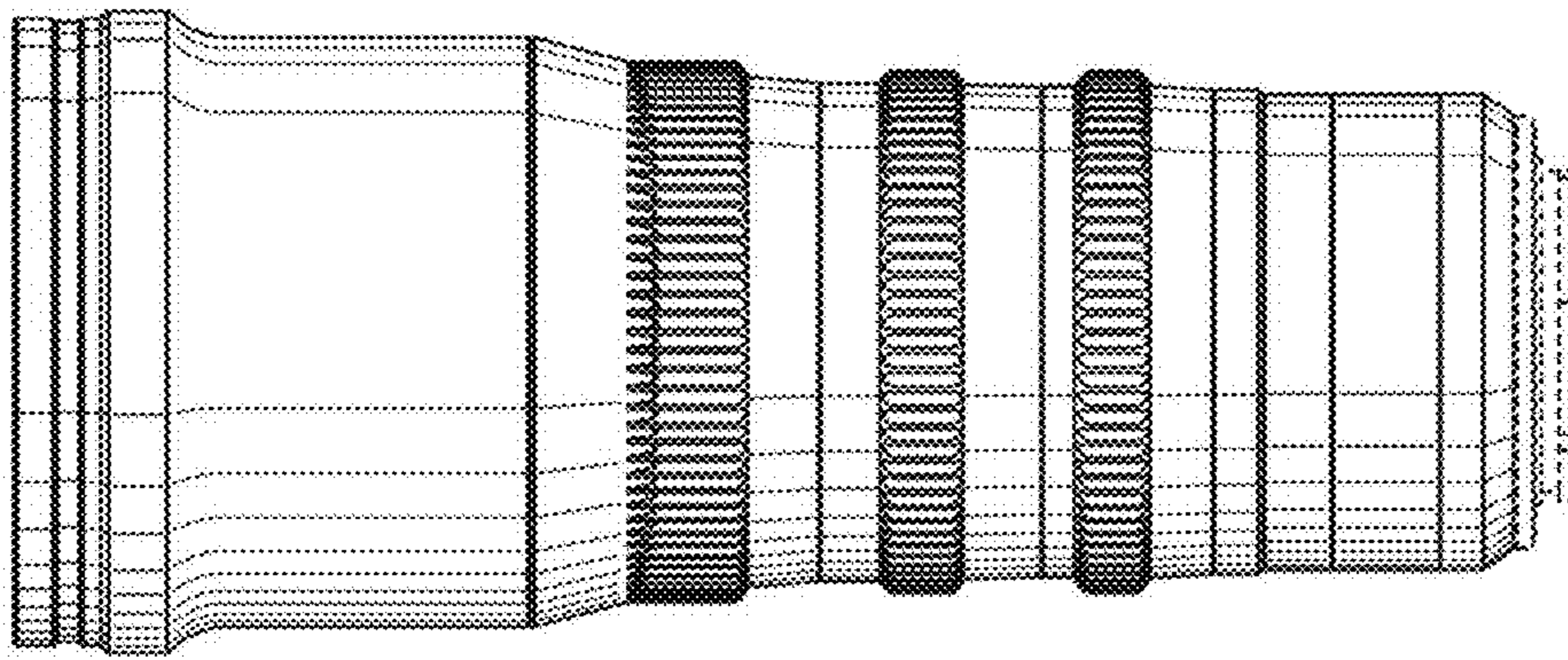


FIG. 6

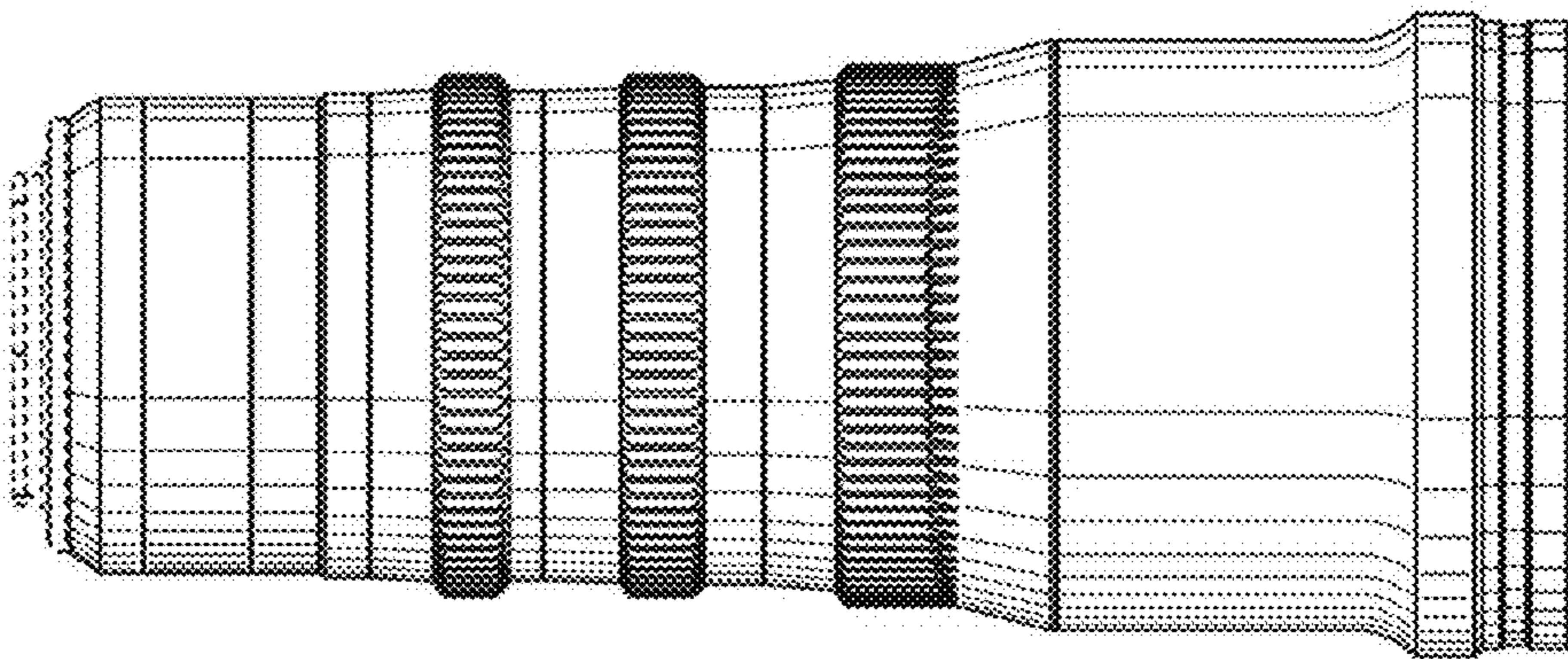


FIG. 7

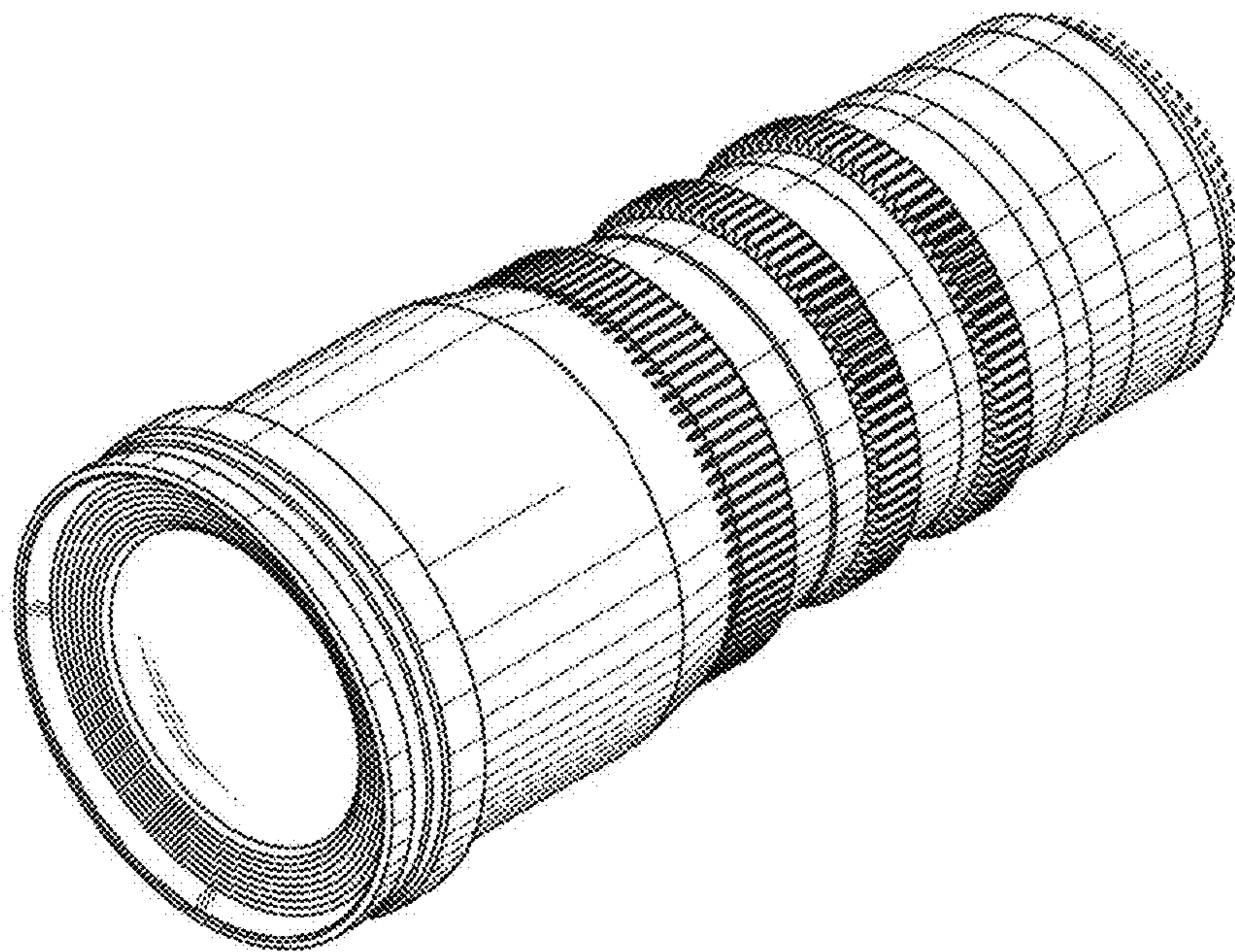


FIG. 8

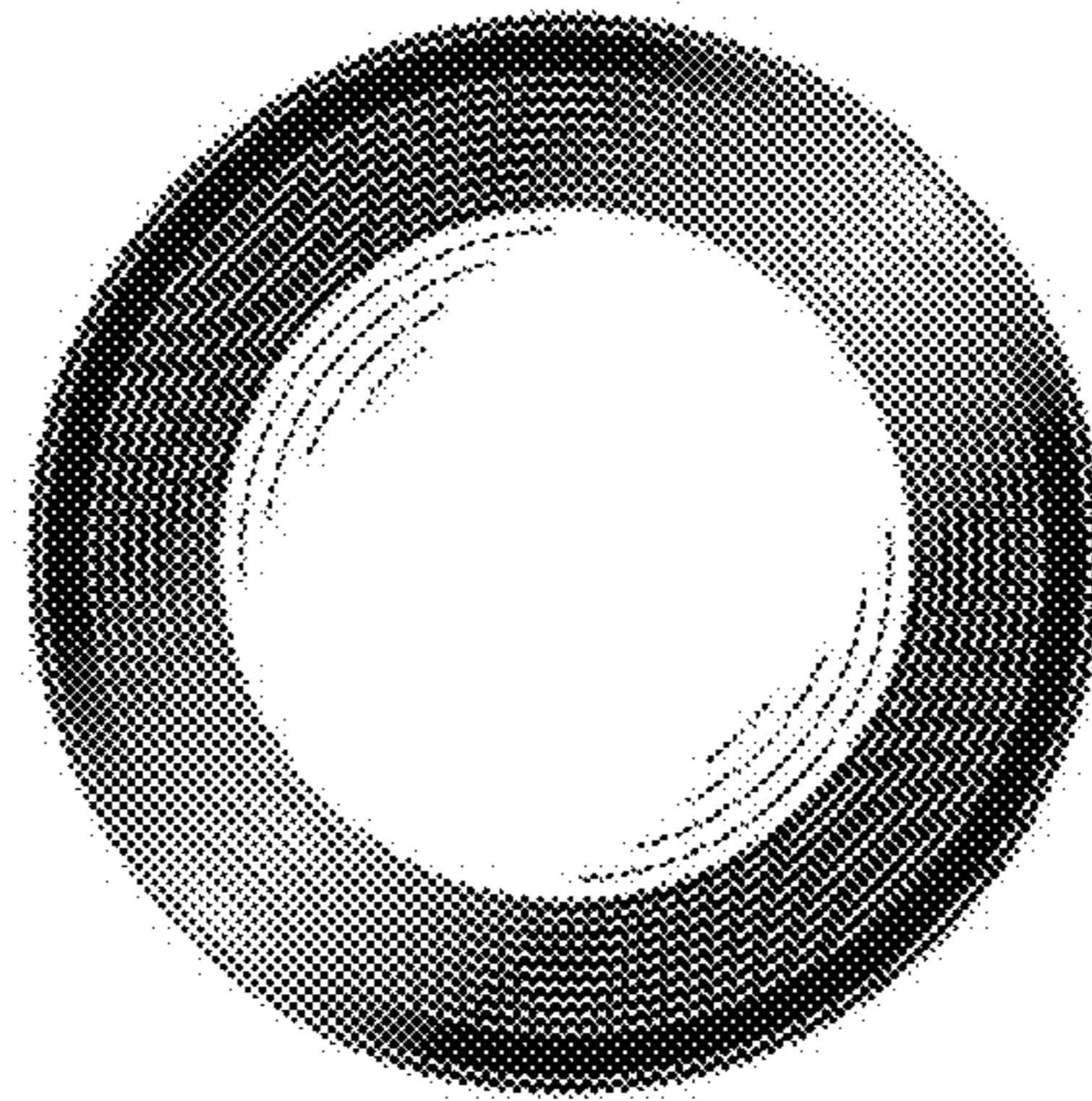


FIG. 9

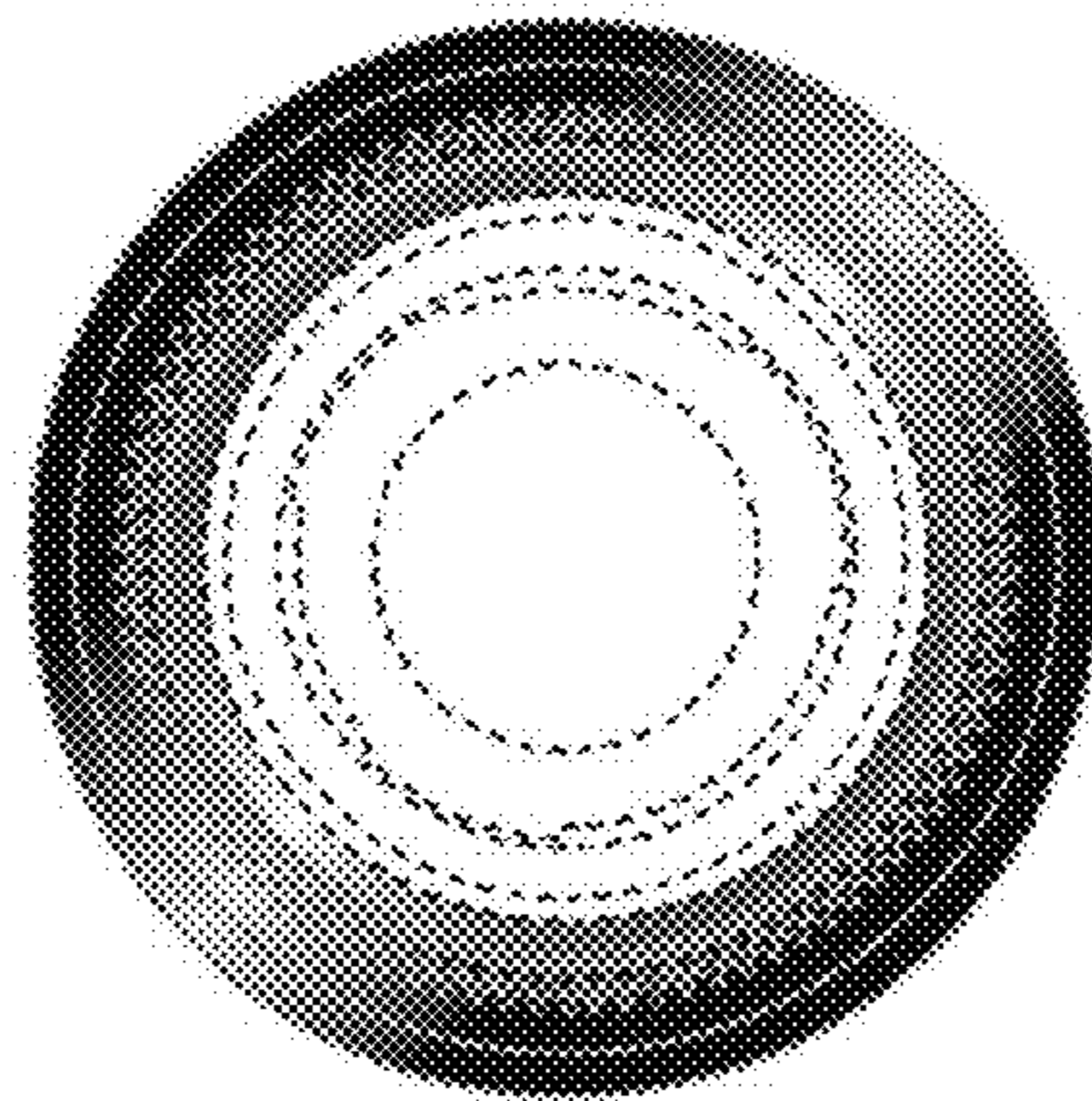




FIG. 10

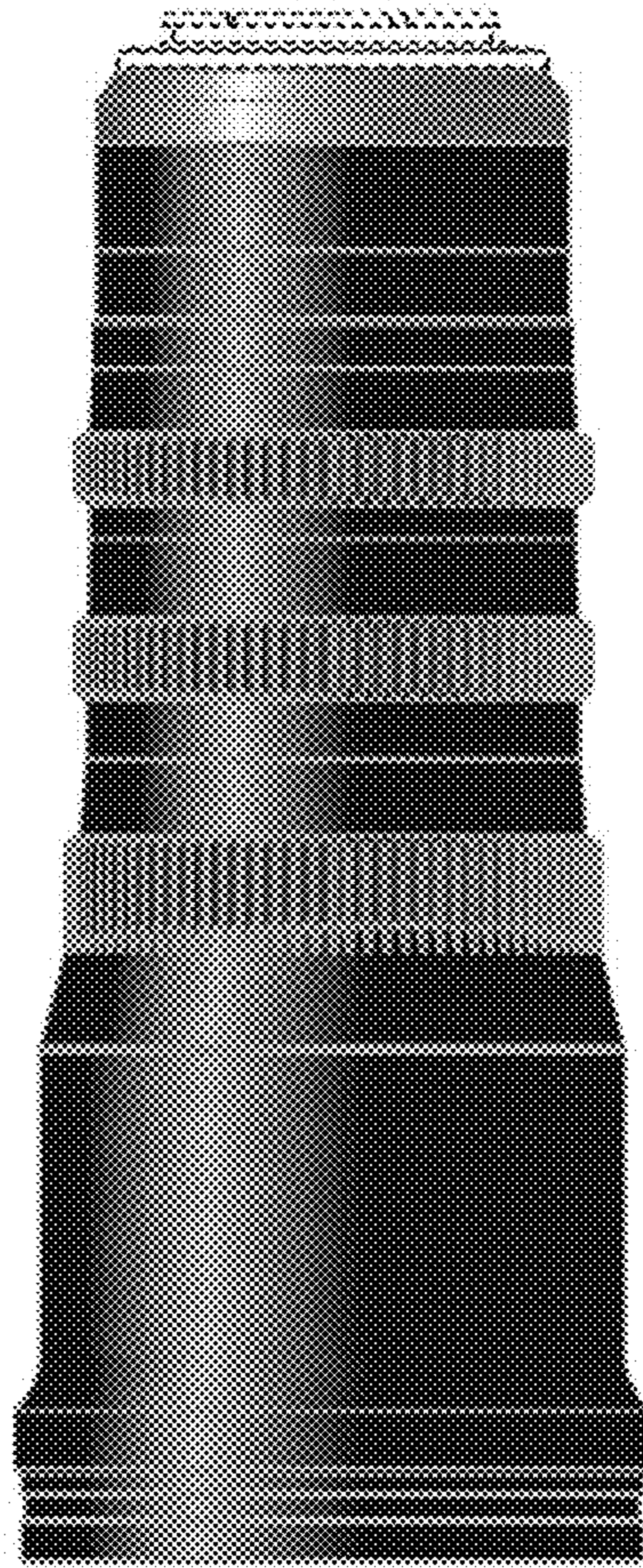


FIG. 11

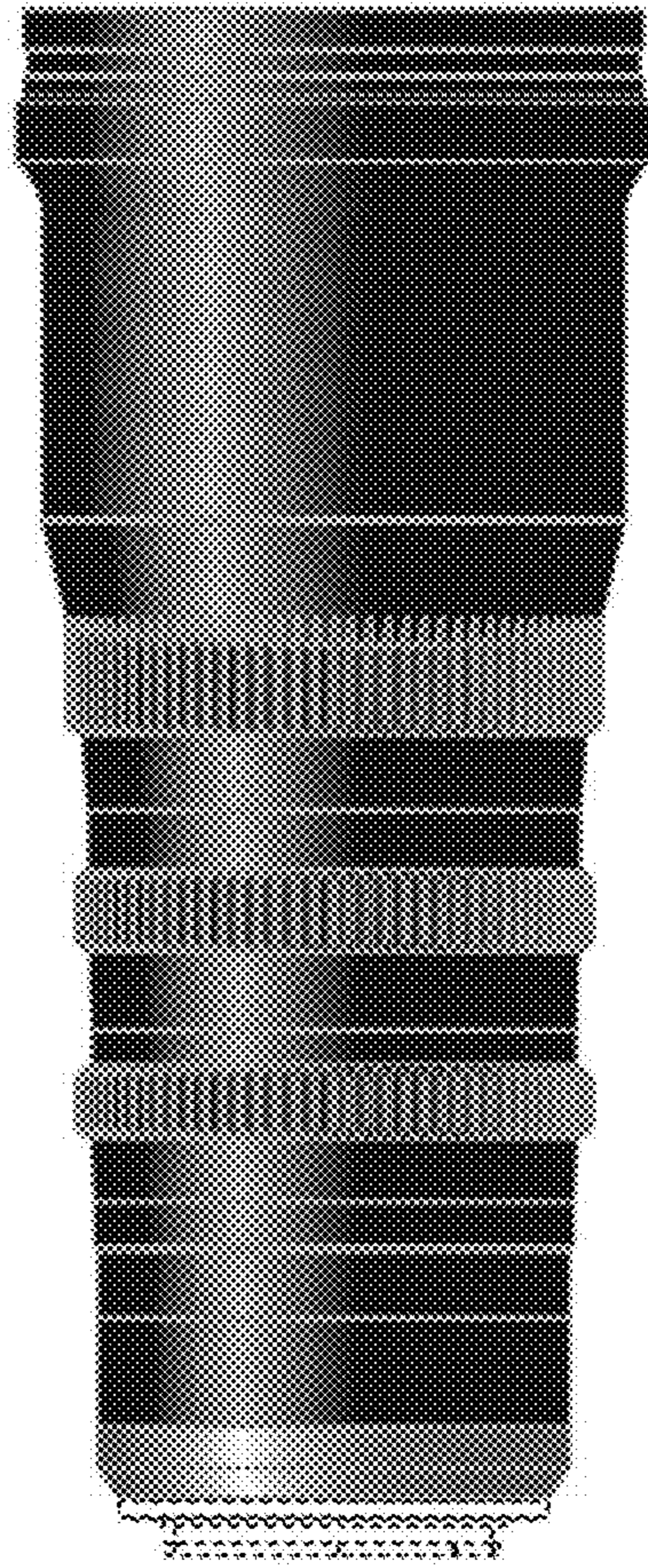


FIG. 12

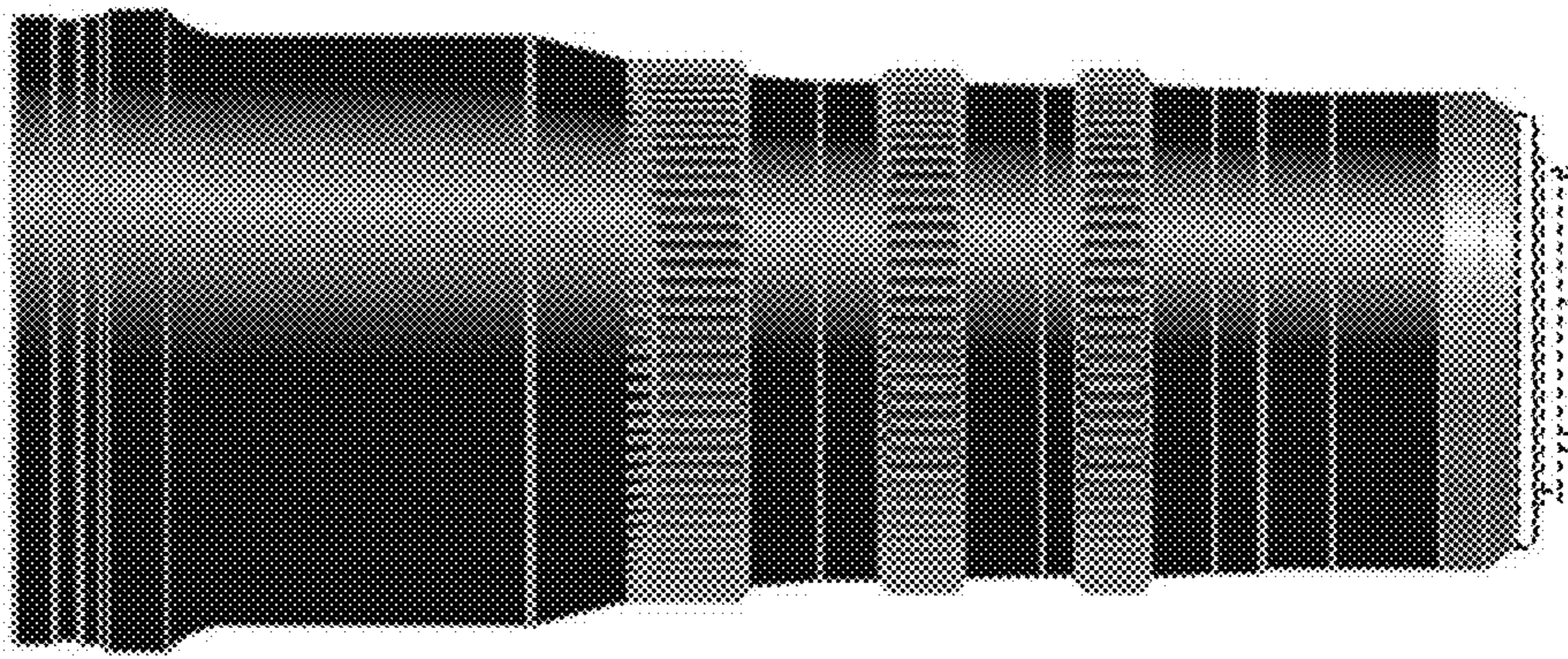


FIG. 13

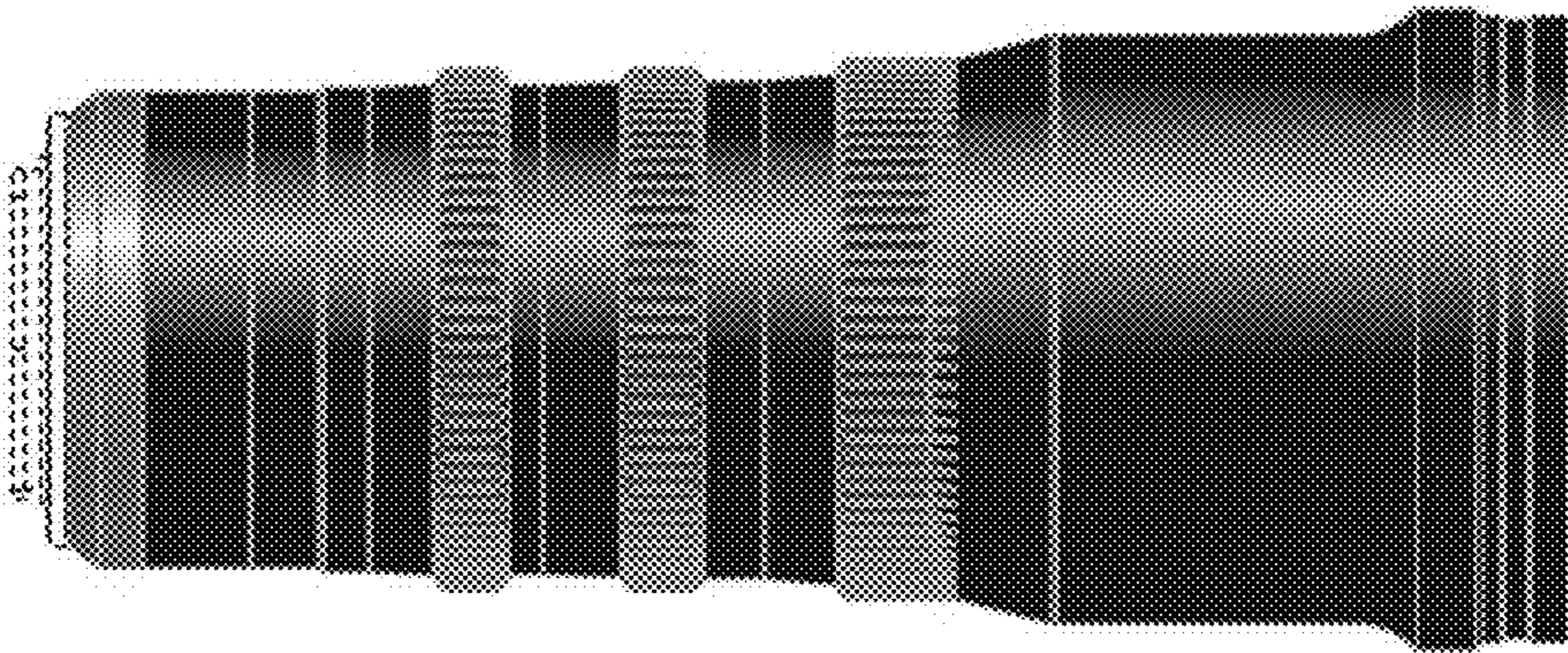


FIG. 14

