



US00D842915S

(12) **United States Design Patent**  
**Hathway et al.**

(10) **Patent No.:** **US D842,915 S**  
(45) **Date of Patent:** **\*\* Mar. 12, 2019**

(54) **BABY MONITOR CAMERA**

G08B 13/1963; G08B 13/19632; G08B  
13/19621; F16M 11/04; F16M 13/00;  
Y02E 60/12

(71) Applicant: **Netgear, Inc.**, San Jose, CA (US)

See application file for complete search history.

(72) Inventors: **James Hathway**, Delta (CA); **John  
Kui Yin Ramones**, San Ramon, CA  
(US); **Jim Blyth**, Farnham (GB);  
**Louise Bradley**, Basingstoke (GB);  
**Matt Plested**, Churt (GB)

(56) **References Cited**

U.S. PATENT DOCUMENTS

D168,250 S *	11/1952	Auzin	.....	D21/589
D484,486 S *	12/2003	Solland	.....	D14/207
D615,878 S *	5/2010	Berliat	.....	D10/22
D643,065 S *	8/2011	van der Lande	.....	D19/142
D659,736 S *	5/2012	Cheng	.....	D16/225

(Continued)

(73) Assignee: **Arlo Technologies, Inc.**, Carlsbad, CA  
(US)

(\*\*) Term: **15 Years**

(21) Appl. No.: **29/634,527**

(22) Filed: **Jan. 23, 2018**

OTHER PUBLICATIONS

U.S. Appl. No. 29/577,078, filed Sep. 9, 2016.  
U.S. Appl. No. 29/577,073, filed Sep. 9, 2016.

**Related U.S. Application Data**

(63) Continuation of application No. 29/577,075, filed on  
Sep. 9, 2016, now Pat. No. Des. 822,743.

*Primary Examiner* — Barbara Fox

*Assistant Examiner* — Mary C Ramirez

(74) *Attorney, Agent, or Firm* — Boyle Fredrickson, S.C.

(51) **LOC (11) Cl.** ..... **16-01**

(52) **U.S. Cl.**

USPC ..... **D16/203**; D16/202

(57) **CLAIM**

The ornamental design for a baby monitor camera, as shown  
and described.

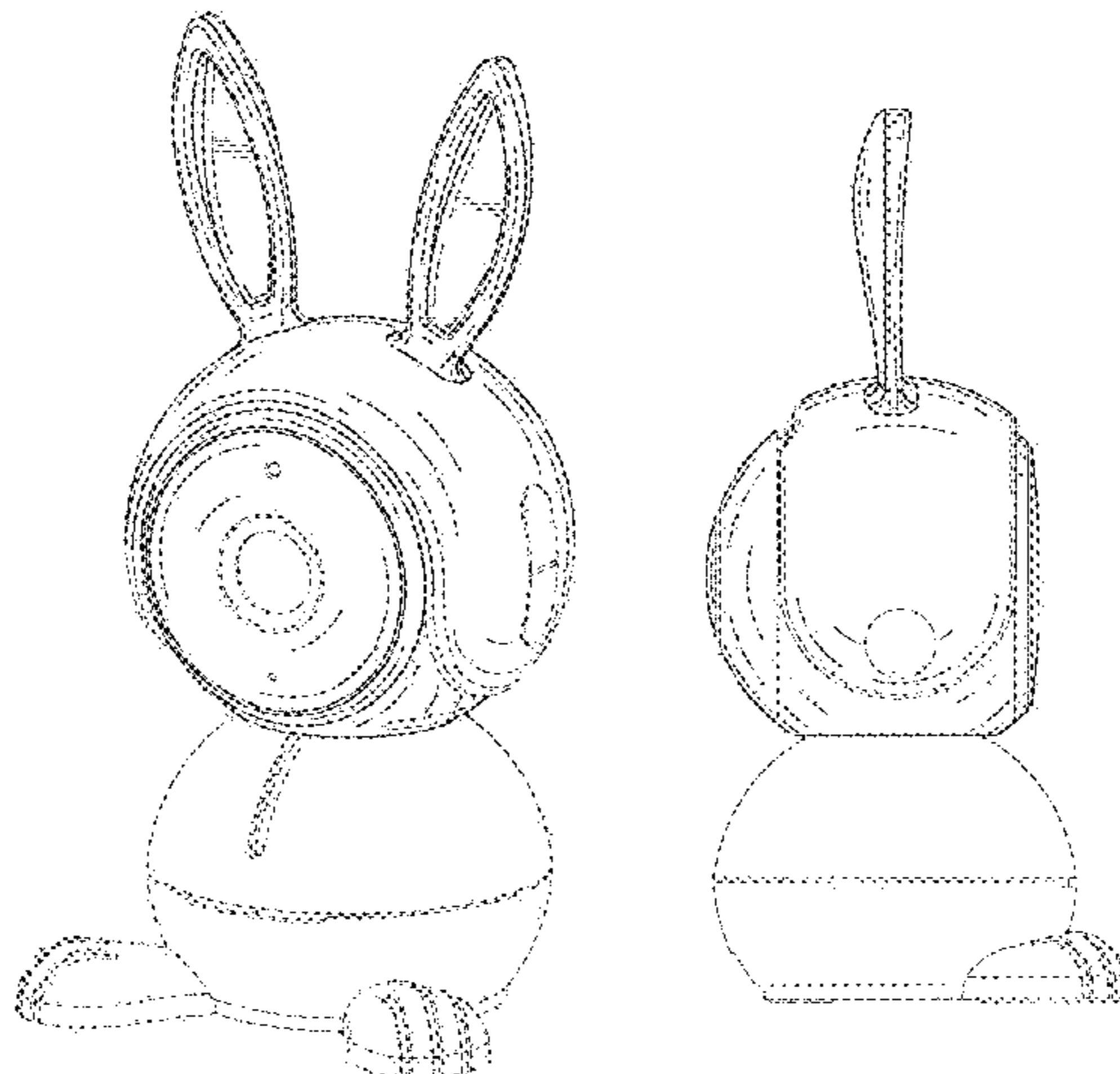
(58) **Field of Classification Search**

USPC ..... D16/200–220, 229, 230, 242, 244, 245,  
D16/238, 225; D14/496, 203.1, 203.3,  
D14/203.7, 240, 356, 358; D28/41;  
D1/109, 107, 106; D2/868, 869, 883,  
D2/884, 894, 895, 873; D29/122;  
D12/400; D11/158, 224, 181, 239, 31,  
D11/49, 82, 100, 128, 157; D21/617,  
D21/618, 611, 620, 652, 654, 656, 655  
CPC ..... H04N 7/181; H04N 7/183; H04N 7/18;  
H04N 3/08; H04N 5/23248; H04N  
5/23287; H04N 5/23258; H04N 5/2251;  
H04N 5/2252; H04N 2007/145; H04N  
7/00; G01C 11/025; G02B 5/00; G03B  
15/00; G03B 15/03; G03B 17/56; G03B  
17/02; G03B 17/30; G03B 17/04; G03B  
17/00; G03B 19/04; G03B 3/00; B60R  
1/00; B60R 2300/105; G08B 13/19619;

**DESCRIPTION**

FIG. 1 is a top, front, right isometric view of a baby monitor  
camera showing our new design;  
FIG. 2 is a top, rear, right isometric view thereof;  
FIG. 3 is a front elevation view thereof;  
FIG. 4 is a rear elevation view thereof;  
FIG. 5 is right side elevation view thereof;  
FIG. 6 is a left side elevation view thereof;  
FIG. 7 is a top plan view thereof; and,  
FIG. 8 is a bottom plan view thereof.  
The broken lines shown in the drawings depict portions of  
the baby monitor camera that form no part of the claimed  
design.

**1 Claim, 6 Drawing Sheets**



(56)

**References Cited**

## U.S. PATENT DOCUMENTS

D677,654	S	*	3/2013	Kwag	.....	D14/250
D696,298	S	*	12/2013	Britt, Jr.	.....	D14/496
D723,523	S	*	3/2015	Buhler	.....	D14/230
D730,966	S	*	6/2015	Liu	.....	D16/202
D731,180	S	*	6/2015	Neuhaus	.....	D3/273
D734,337	S	*	7/2015	Volta	.....	D14/420
D742,955	S	*	11/2015	Kozko	.....	D16/207
D749,661	S	*	2/2016	Yang	.....	D16/203
D757,679	S	*	5/2016	Yan	.....	D14/205
D767,518	S	*	9/2016	Kim	.....	D14/130
D774,710	S	*	12/2016	Stiles	.....	D30/160
9,521,301	B2	*	12/2016	Bart	.....	H04N 5/2252
D782,450	S	*	3/2017	Jones	.....	D14/240
D790,620	S	*	6/2017	Lee	.....	D16/202
D793,363	S	*	8/2017	Zhang	.....	D14/216
D794,106	S	*	8/2017	Wang	.....	D16/203
D797,575	S	*	9/2017	Lai	.....	D10/22
D810,804	S	*	2/2018	Borel	.....	D16/203
D813,290	S	*	3/2018	Song	.....	D16/203
D815,172	S	*	4/2018	Noh	.....	D16/202
D815,677	S	*	4/2018	Gao	.....	D16/218
D816,756	S	*	5/2018	Chang	.....	D16/210
D822,517	S	*	7/2018	Katsumi	.....	D10/106.7
D822,742	S	*	7/2018	Hathway	.....	D16/203
D822,743	S	*	7/2018	Hathway	.....	D16/203
D830,443	S	*	10/2018	Borel	.....	D16/203
2004/0161289	A1	*	8/2004	Silberman	.....	A63H 33/00 401/195

\* cited by examiner

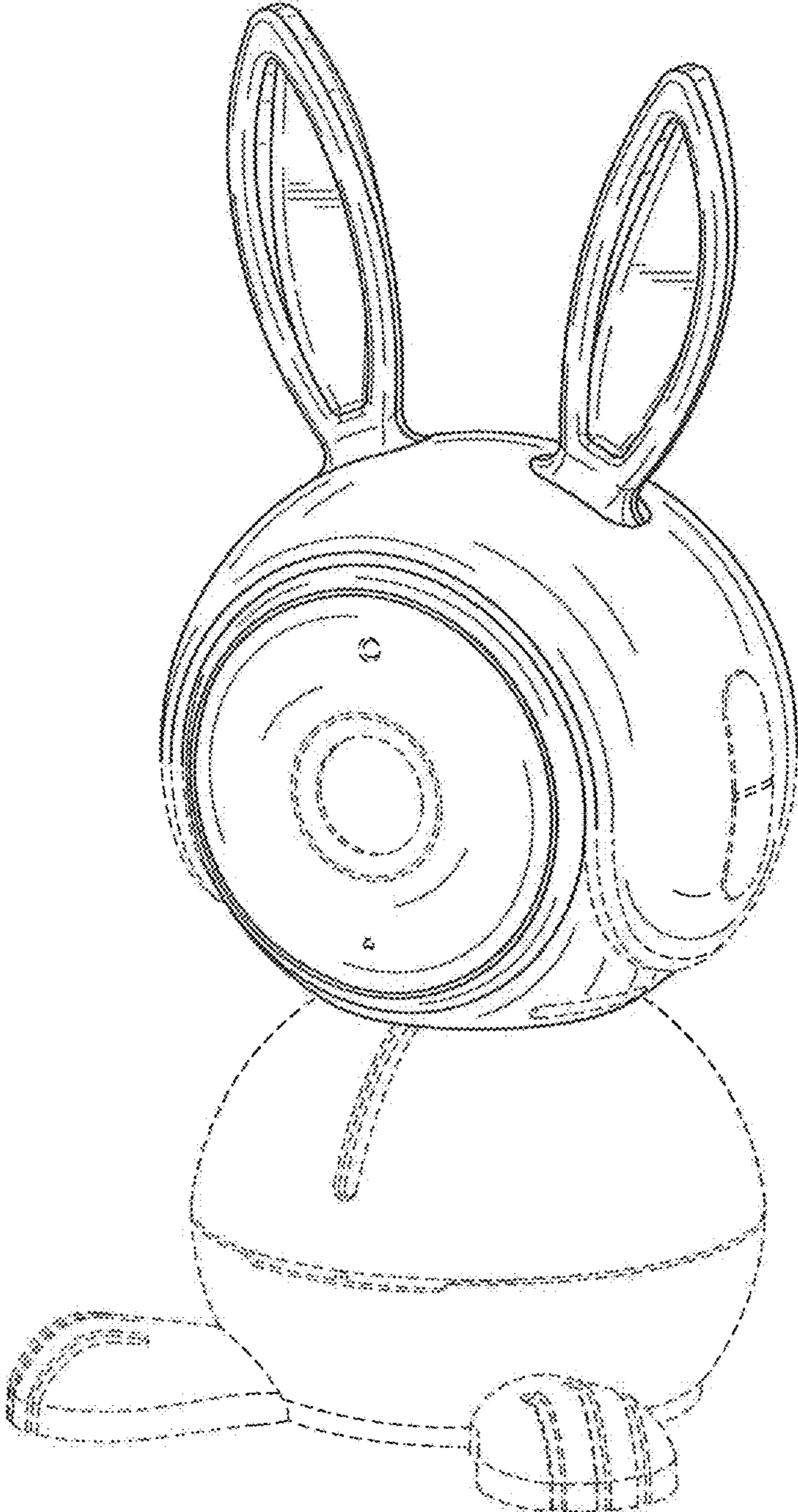


FIG. 1

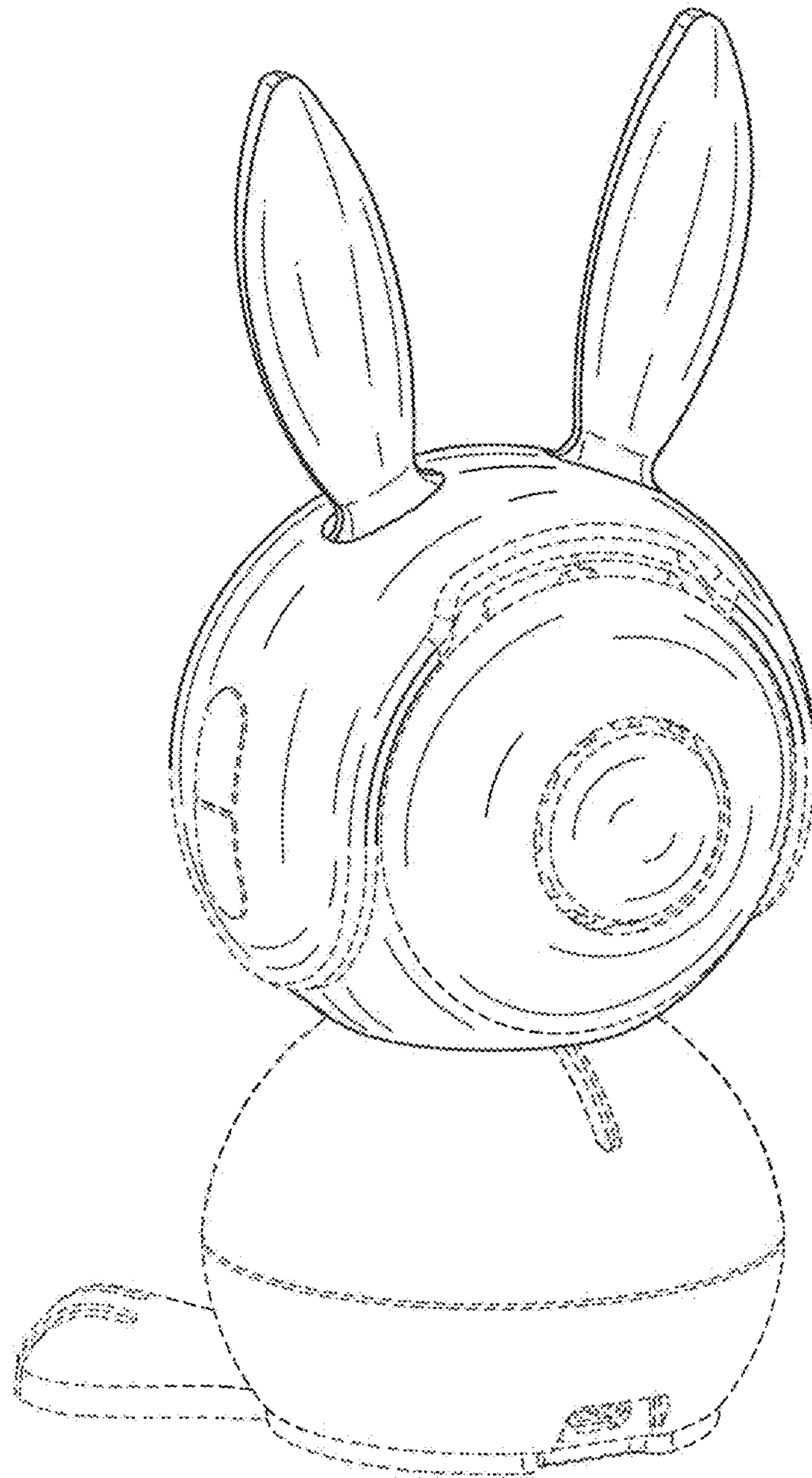


FIG. 2

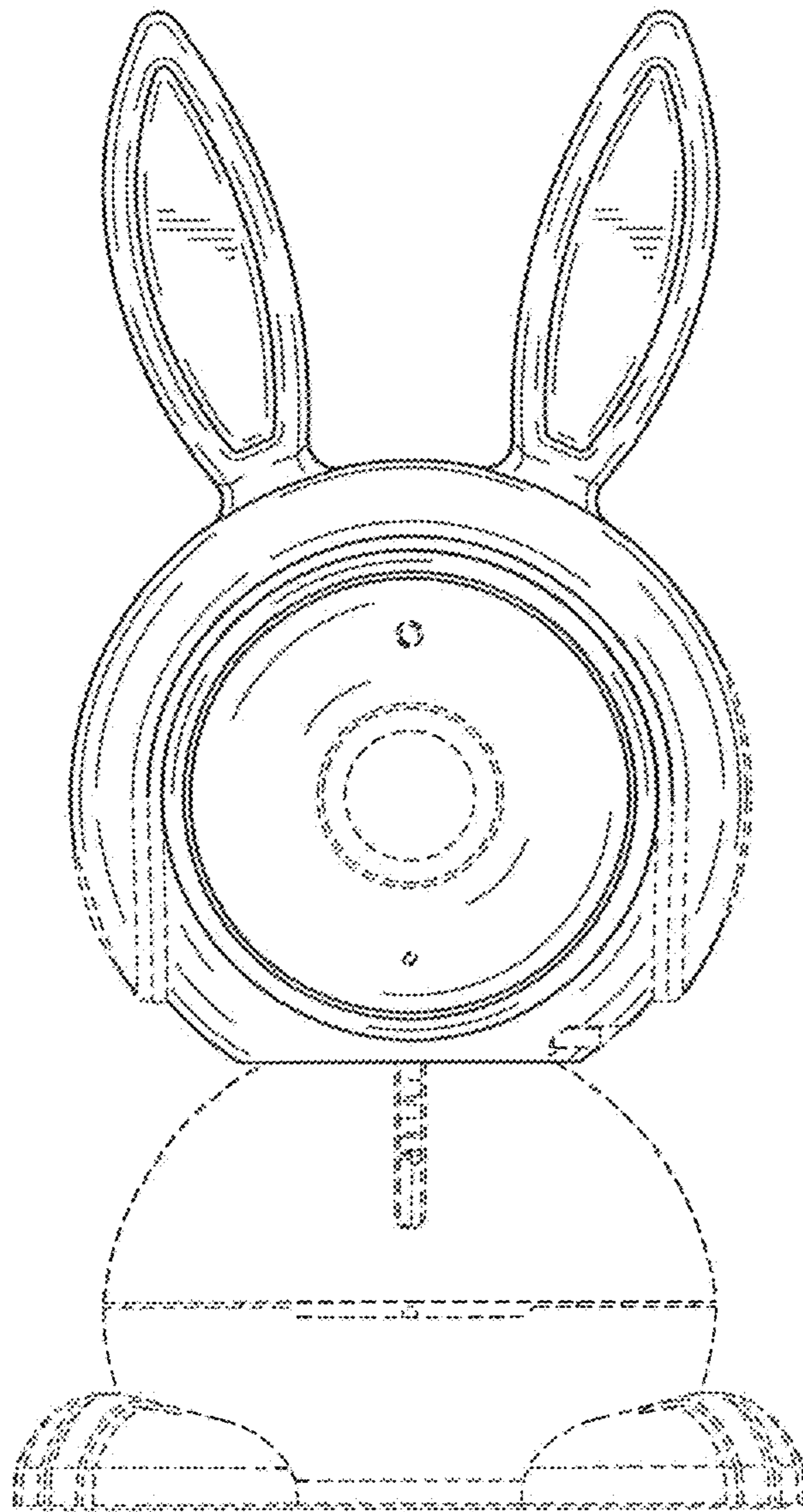


FIG. 3

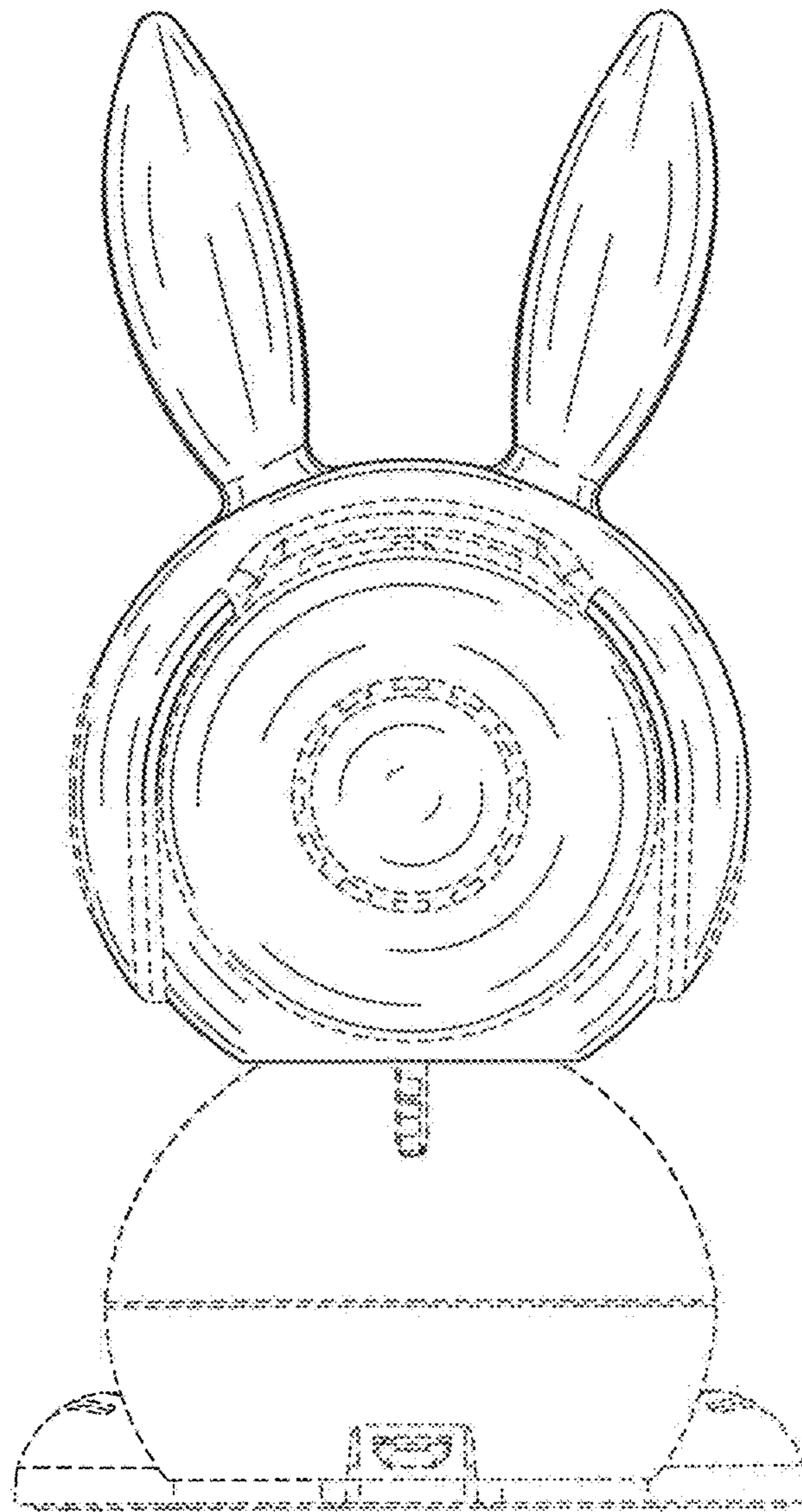


FIG. 4

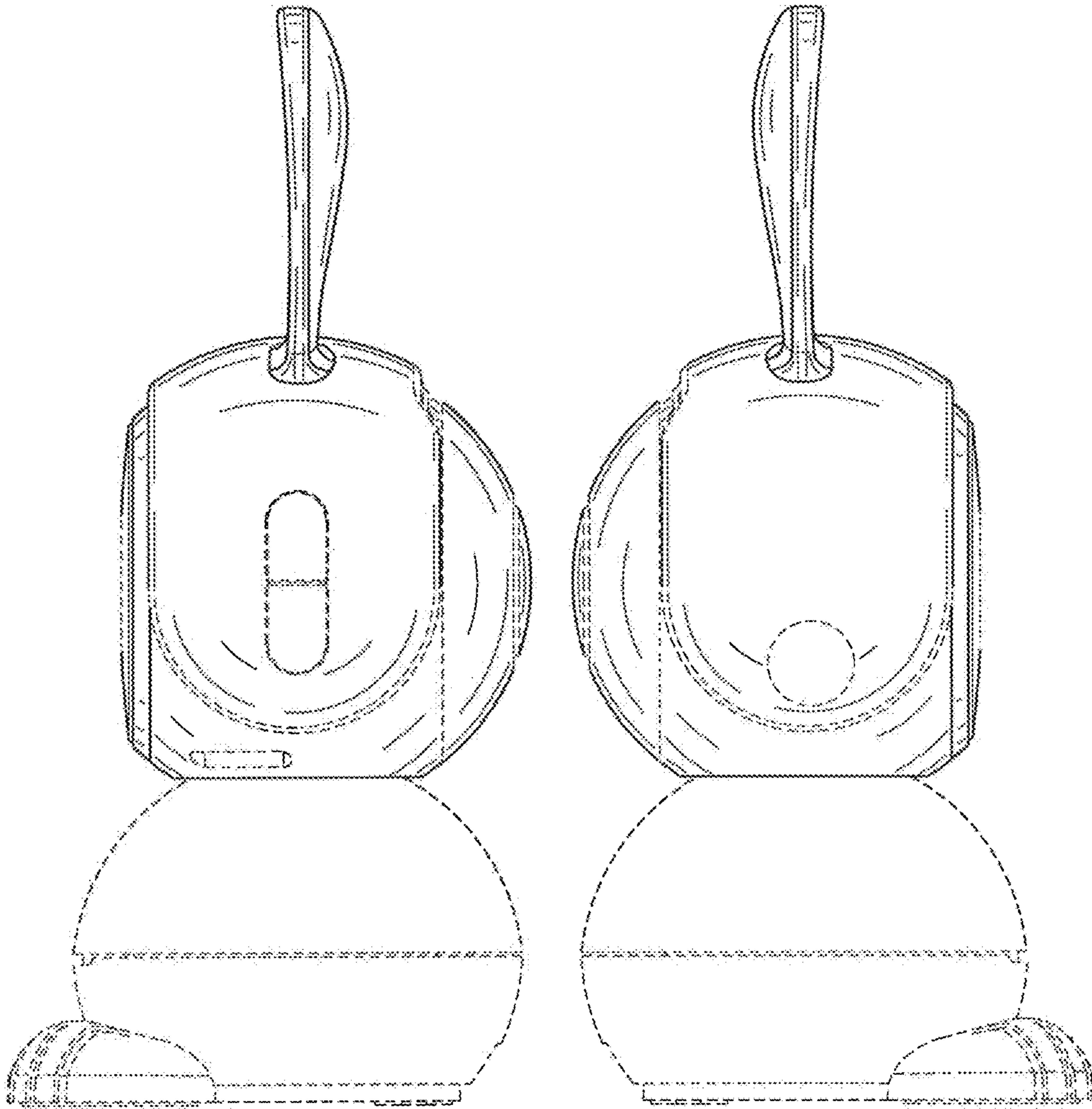


FIG. 5

FIG. 6

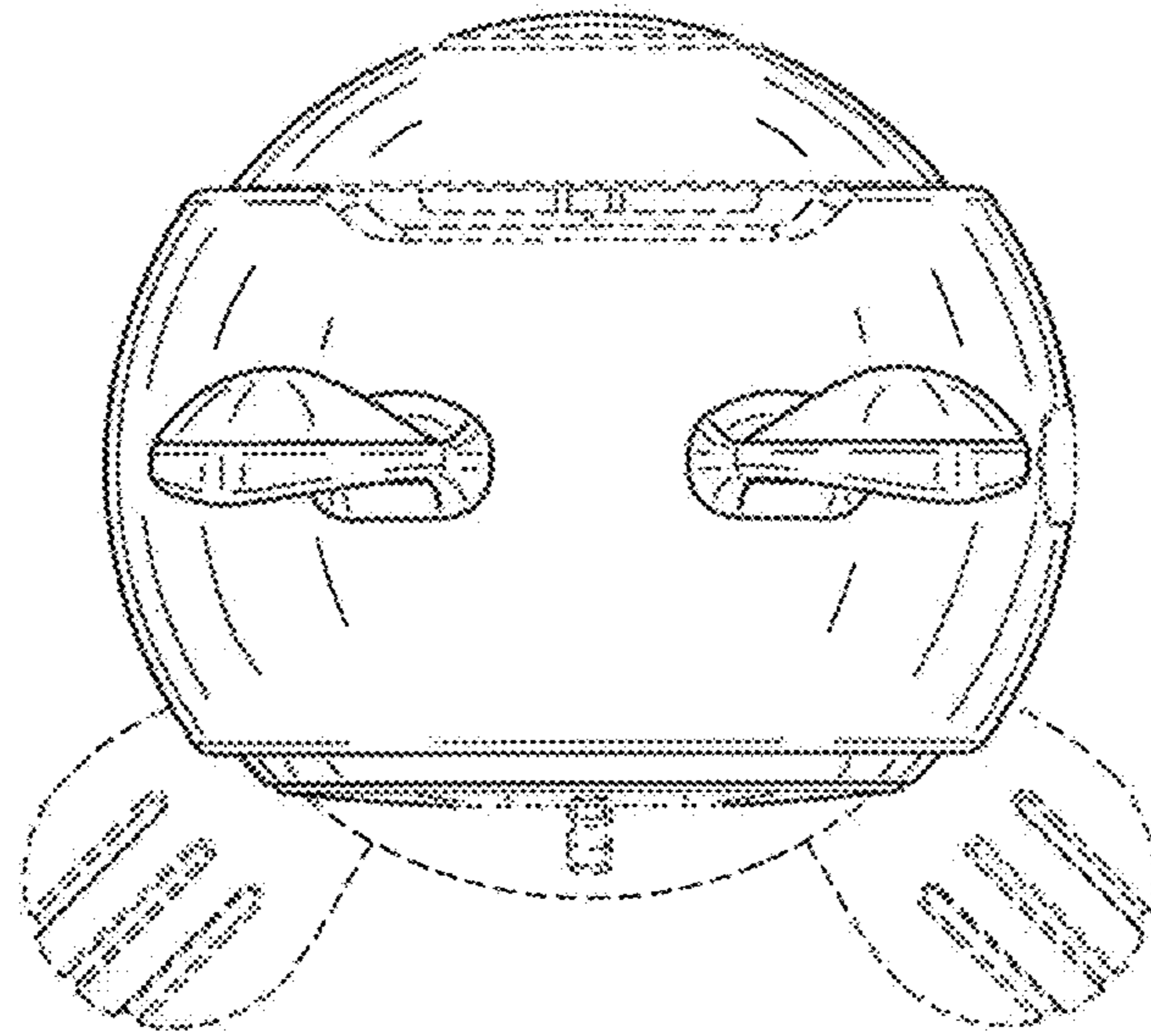


FIG. 7

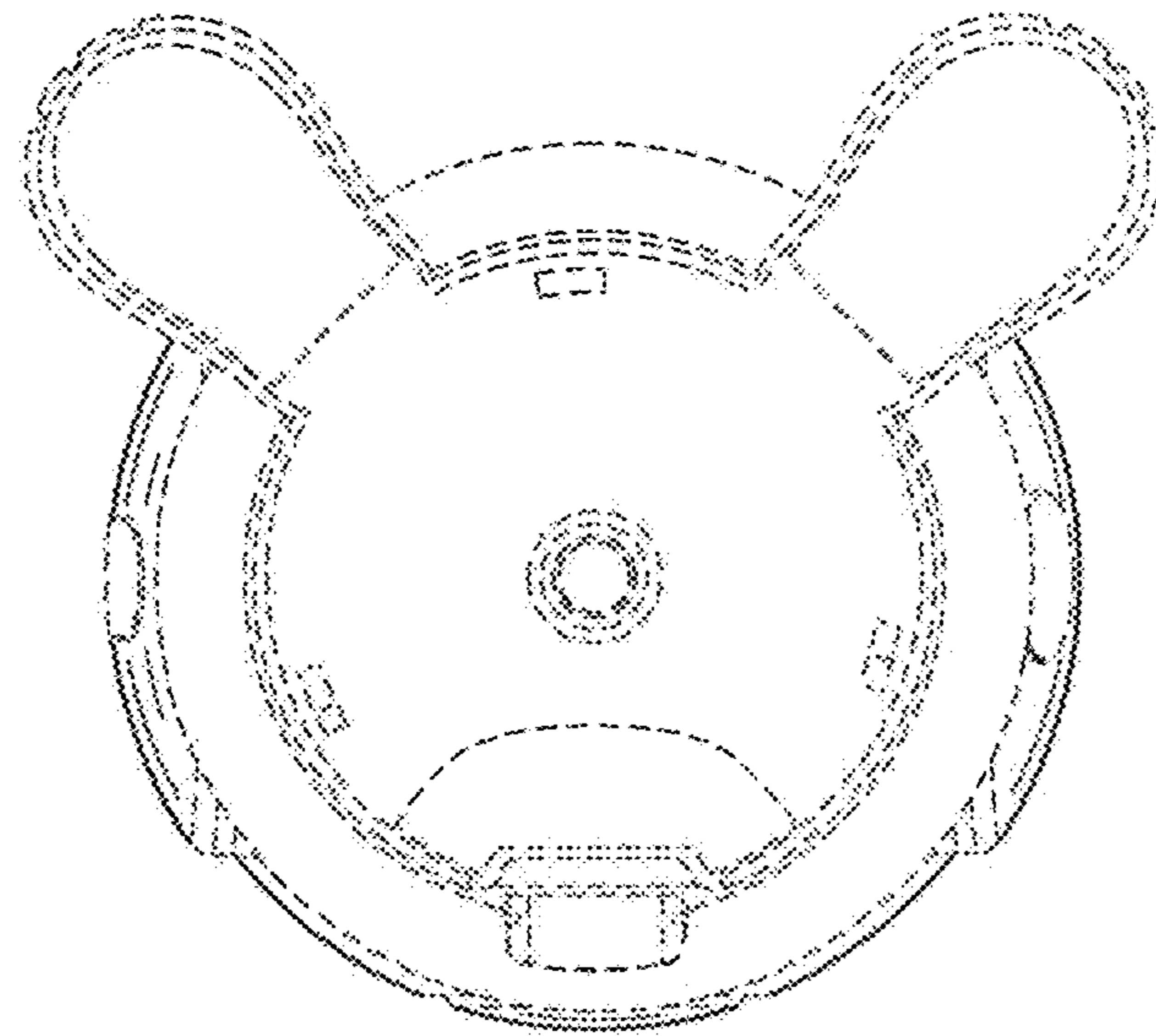


FIG. 8