



US00D842913S

(12) **United States Design Patent**  
**Barth et al.**

(10) **Patent No.:** **US D842,913 S**

(45) **Date of Patent:** **\*\* Mar. 12, 2019**

(54) **PHOTOGRAPHIC CAMERA**

(71) Applicant: **PIXII**, Besancon (FR)

(72) Inventors: **David Barth**, Besancon (FR); **Melric Artus**, Besancon (FR)

(73) Assignee: **PIXII**, Besancon (FR)

(\*\*) Term: **15 Years**

(21) Appl. No.: **35/503,270**

(22) Filed: **Jun. 16, 2017**

(80) **Hague Agreement Data**

Int. Filing Date: **Jun. 16, 2017**

Int. Reg. No.: **DM/096486**

Int. Reg. Date: **Jun. 16, 2017**

Int. Reg. Pub. Date: **Jun. 30, 2017**

(51) **LOC (11) Cl.** ..... **16-03**

(52) **U.S. Cl.**  
USPC ..... **D16/202**

(58) **Field of Classification Search**  
USPC ..... D16/200–220, 232, 235, 239, 242, 243,  
D16/244, 245, 250  
CPC ..... G02B 5/00; G03B 11/04; G03B 17/00;  
G03B 17/02; G03B 9/08  
See application file for complete search history.

(56) **References Cited**

**U.S. PATENT DOCUMENTS**

D512,450 S	*	12/2005	Jinde	.....	D16/202
D582,459 S	*	12/2008	Nakamura	.....	D16/202
D601,605 S	*	10/2009	Yoo	.....	D16/202
D665,002 S	*	8/2012	Kwon	.....	D16/202
D681,713 S	*	5/2013	Kim	.....	D16/202
D689,111 S	*	9/2013	Kobayashi	.....	D16/202
D689,914 S	*	9/2013	Uemachi	.....	D16/202
D694,302 S	*	11/2013	Lee	.....	D16/202
D694,303 S	*	11/2013	Ham	.....	D16/202
D695,328 S	*	12/2013	Sul	.....	D16/202

D695,805 S	*	12/2013	Sakai	.....	D16/202
D695,807 S	*	12/2013	Tainaka	.....	D16/202
D695,808 S	*	12/2013	Takahashi	.....	D16/202
D700,230 S	*	2/2014	Sul	.....	D16/202
D700,924 S	*	3/2014	Sasaki	.....	D16/202
D701,551 S	*	3/2014	Inoue	.....	D16/202
D712,449 S	*	9/2014	Osada	.....	D16/202
D720,786 S	*	1/2015	Imamizu	.....	D16/202
D729,297 S	*	5/2015	Ikegame	.....	D16/202
D736,844 S	*	8/2015	Jang	.....	D16/202
D806,155 S	*	12/2017	Parfitt	.....	D16/202

(Continued)

*Primary Examiner* — Manpreet S Matharu

*Assistant Examiner* — Holly E Thurman

(74) *Attorney, Agent, or Firm* — Volpe and Koenig, P.C.

(57) **CLAIM**

The ornamental design for a photographic camera, as shown and described.

**DESCRIPTION**

1.-2. Photographic camera

1.1 is a perspective view of a photographic camera showing our new design;

1.2 is a bottom view thereof;

1.3 is a rear view thereof;

1.4 is a left elevational view thereof;

1.5 is a right side elevational view thereof;

1.6 is a top view thereof; and

1.7 is a front view thereof.

2.1 is a perspective view of a photographic camera showing a second embodiment of our design;

2.2 is a bottom view thereof;

2.3 is a rear view thereof;

2.4 is a left elevational view thereof;

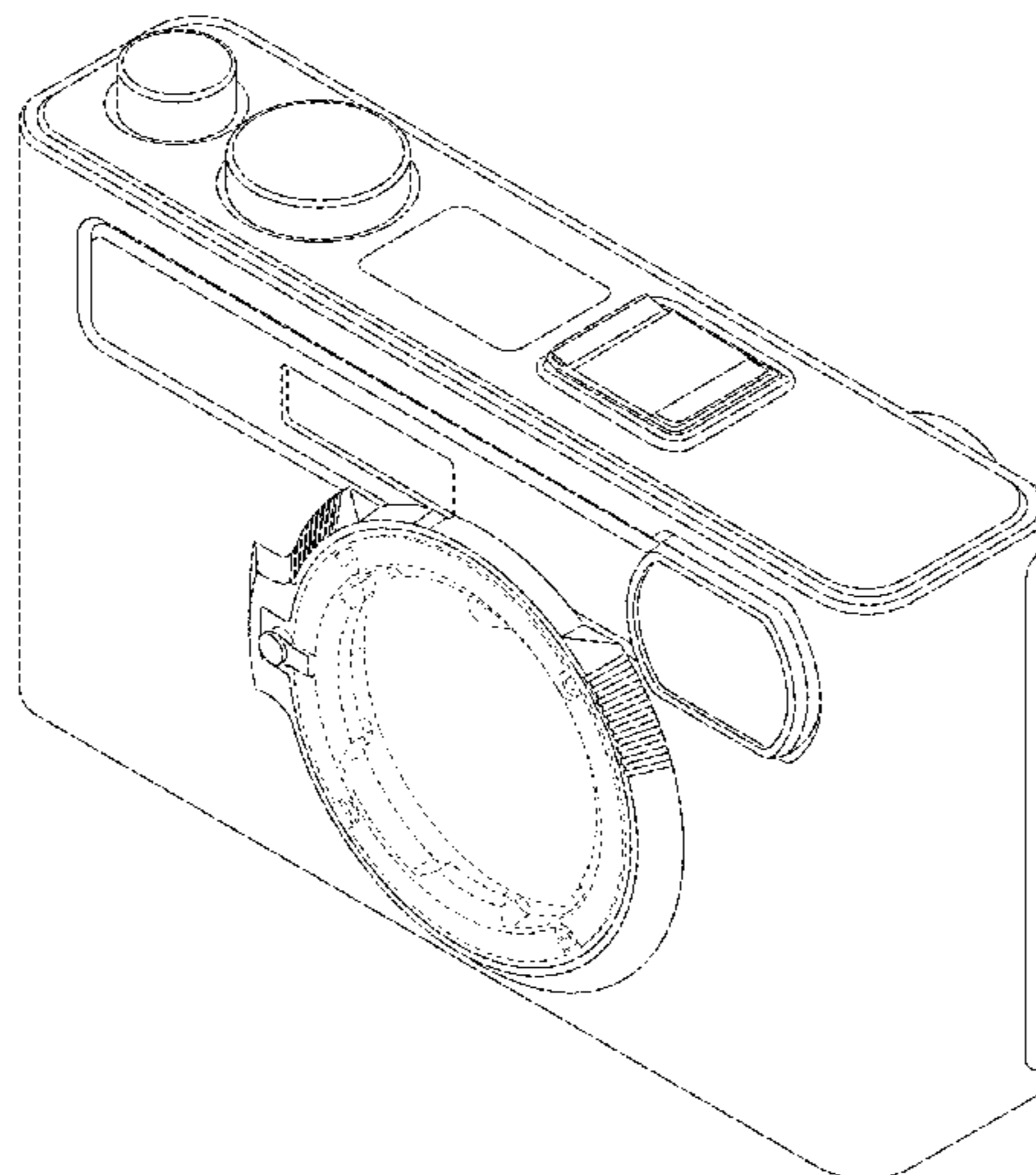
2.5 is a right side elevational view thereof;

2.6 is a top view thereof; and

2.7 is a front view thereof.

The broken lines in the figures form no part of the claimed design.

**1 Claim, 14 Drawing Sheets**



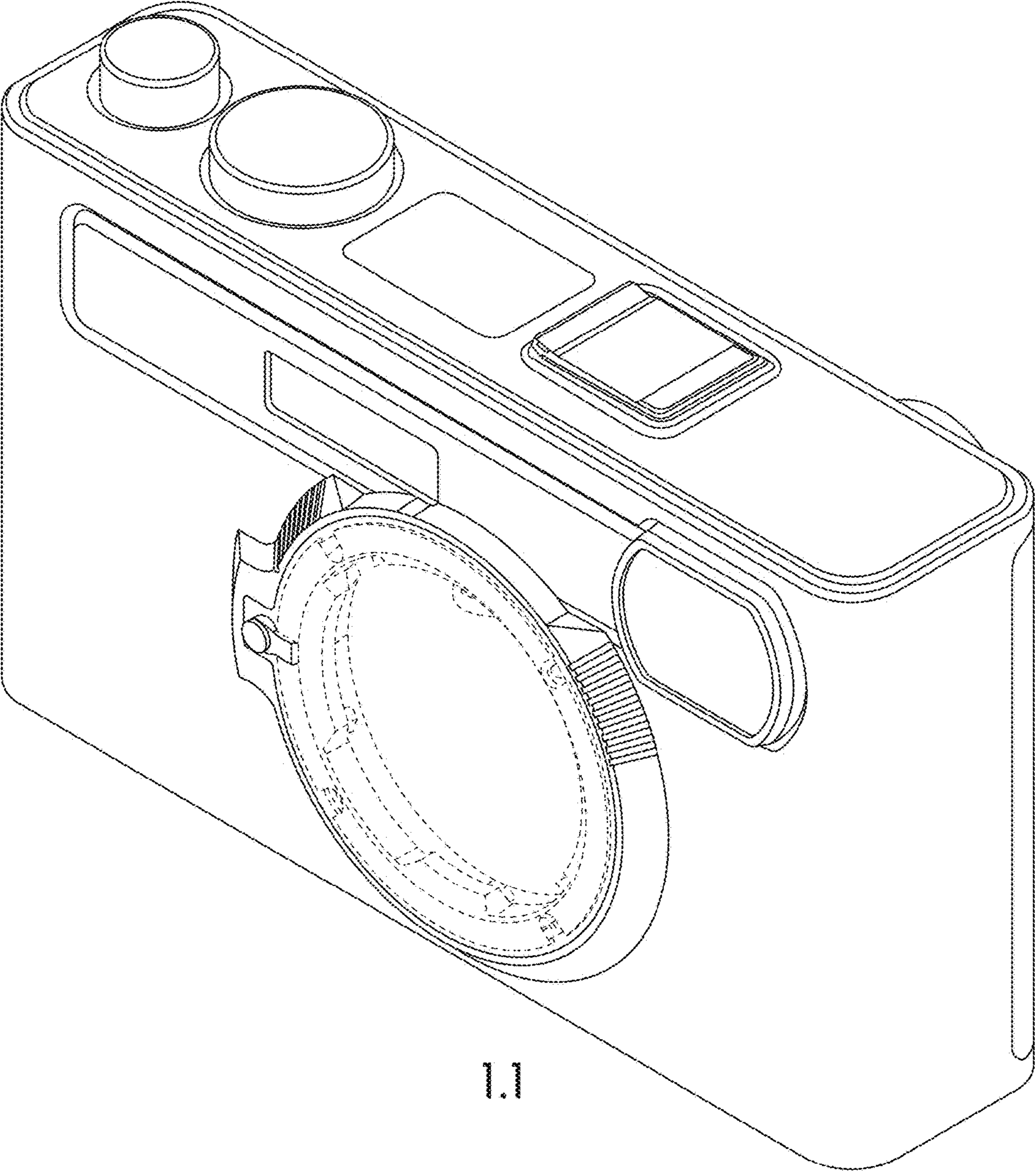
(56)

**References Cited**

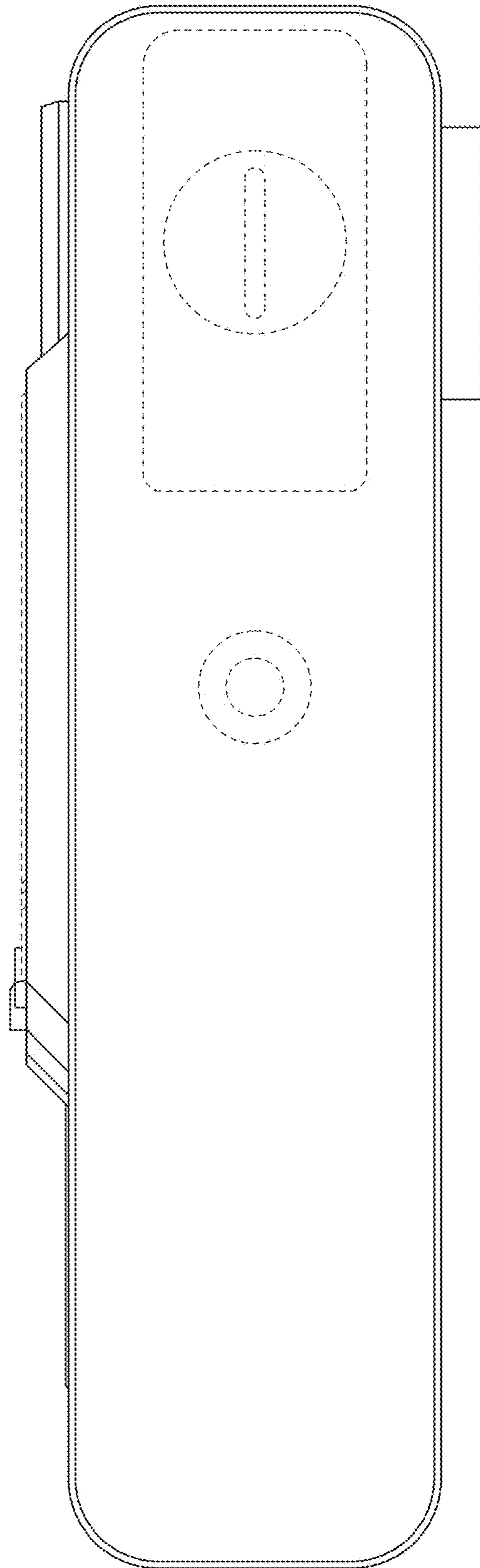
U.S. PATENT DOCUMENTS

D813,922 S \* 3/2018 Kamei ..... D16/202  
D816,754 S \* 5/2018 Osada ..... D16/202

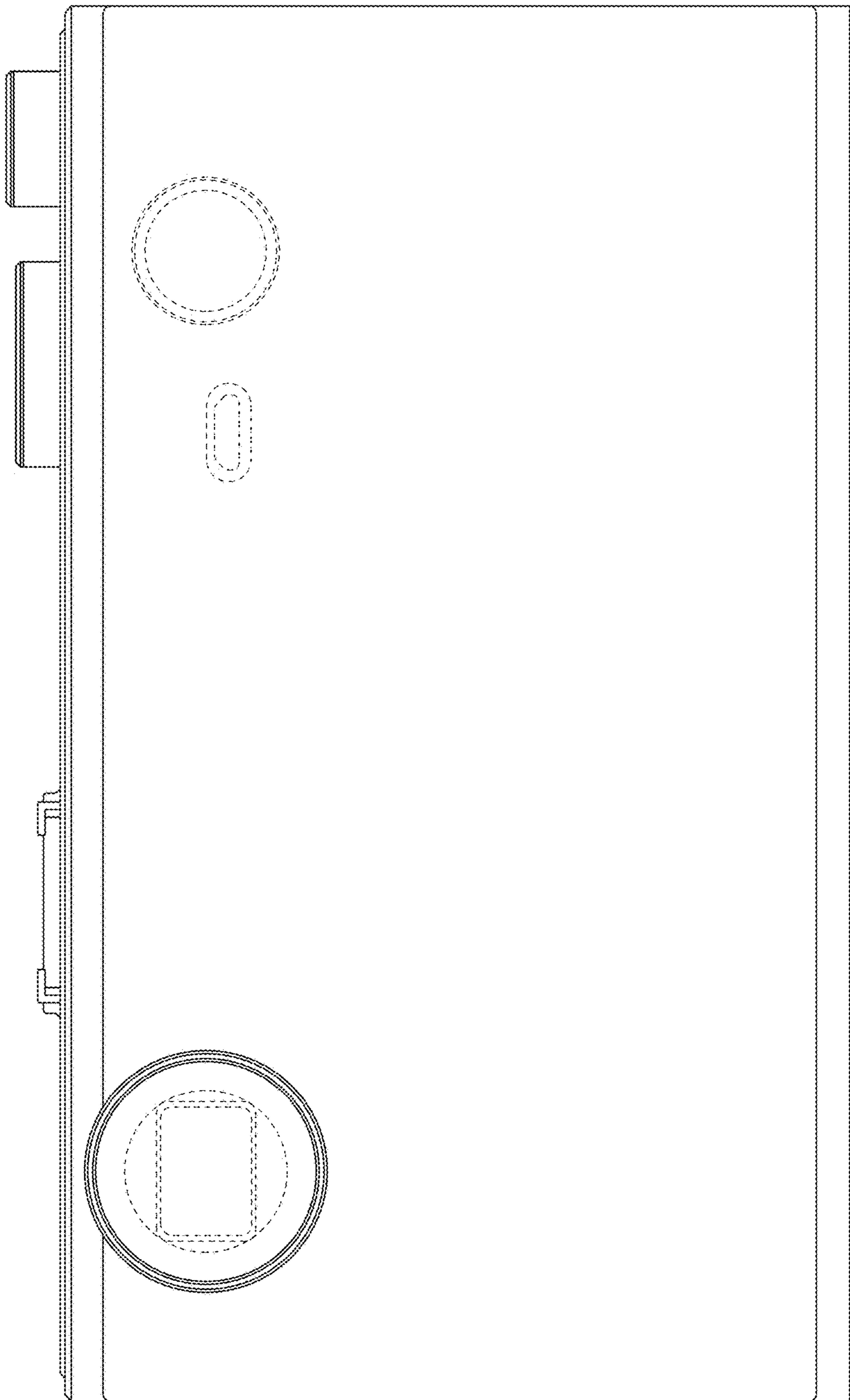
\* cited by examiner



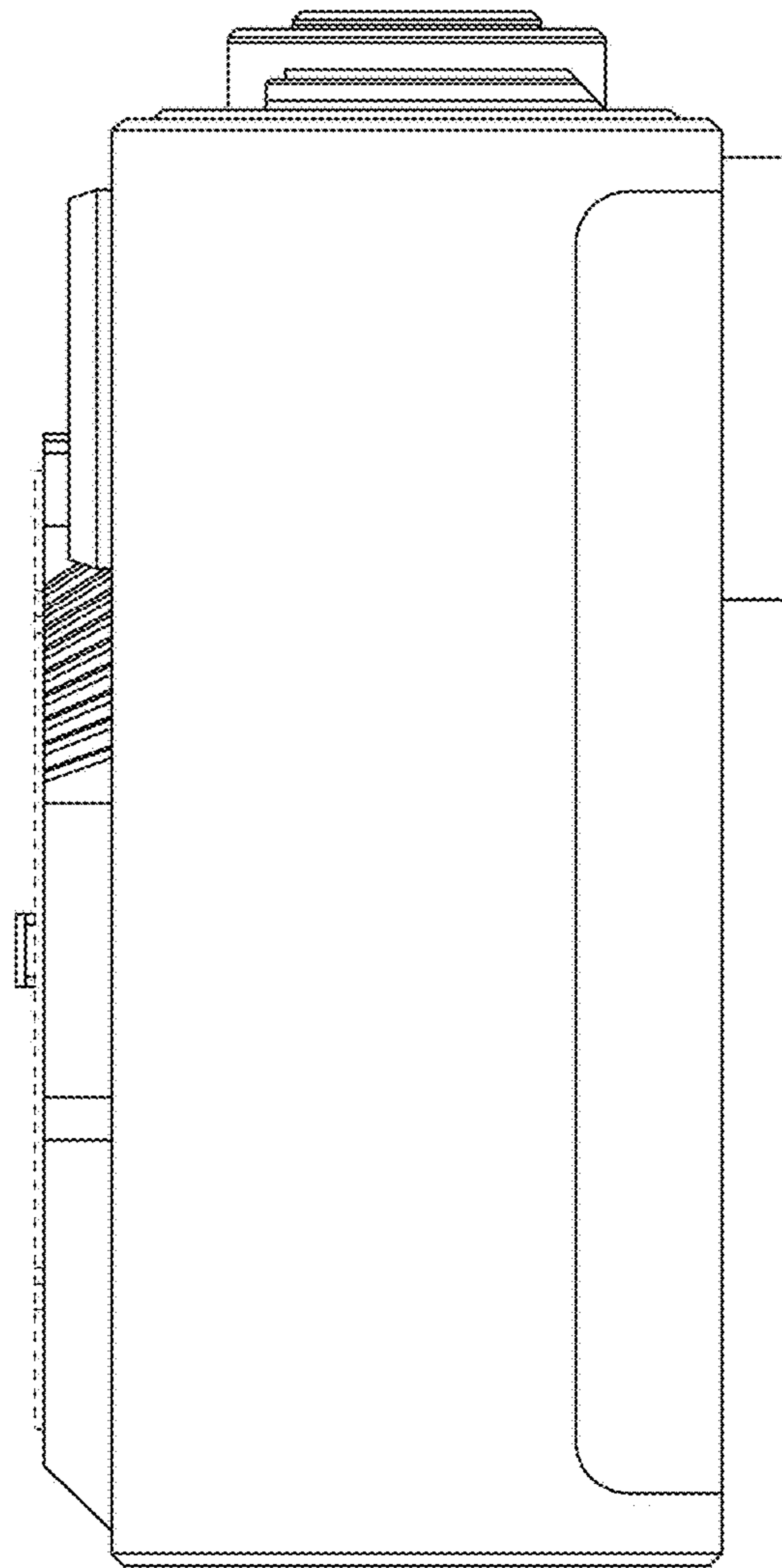
1.1



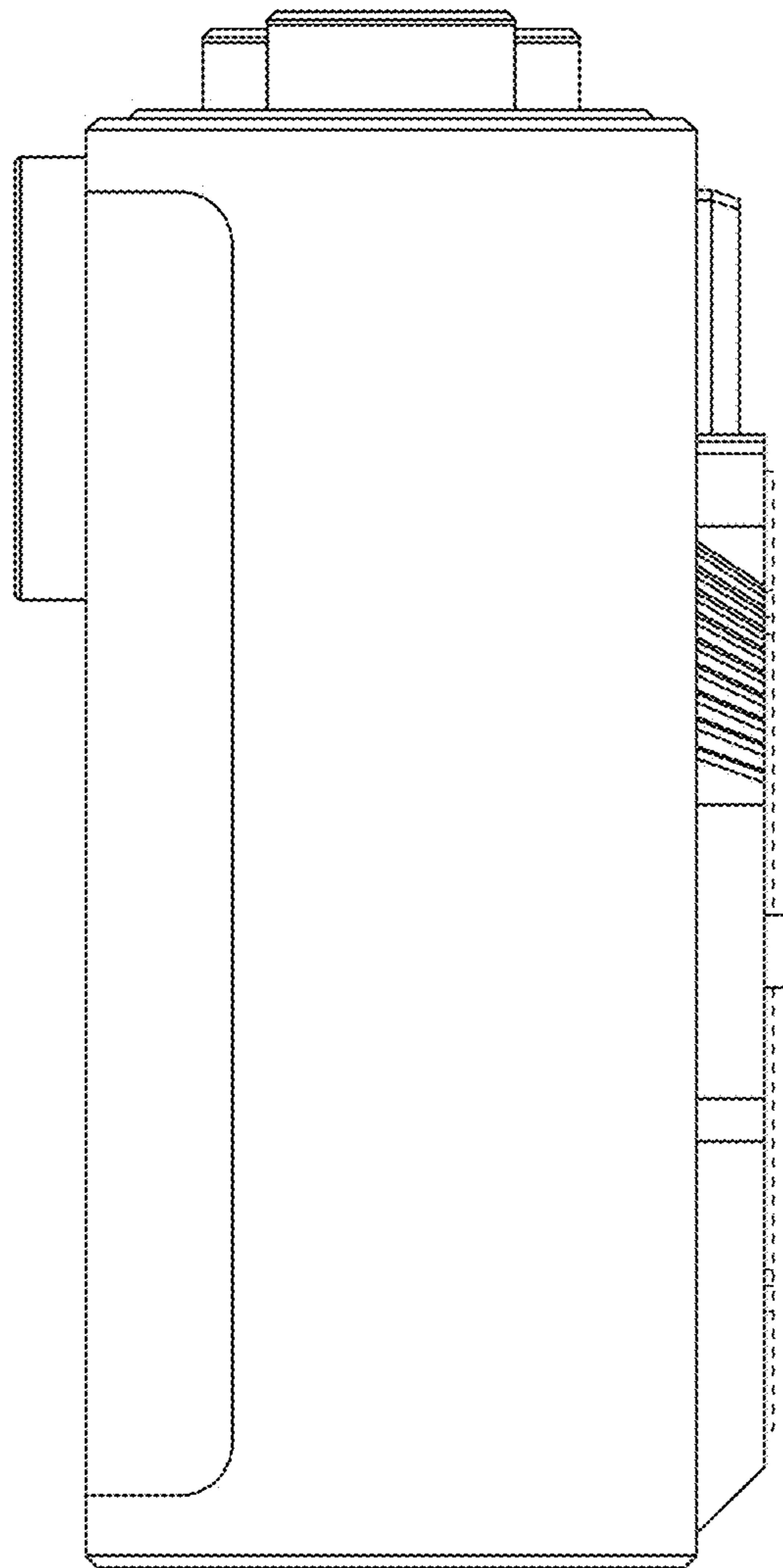
1.2



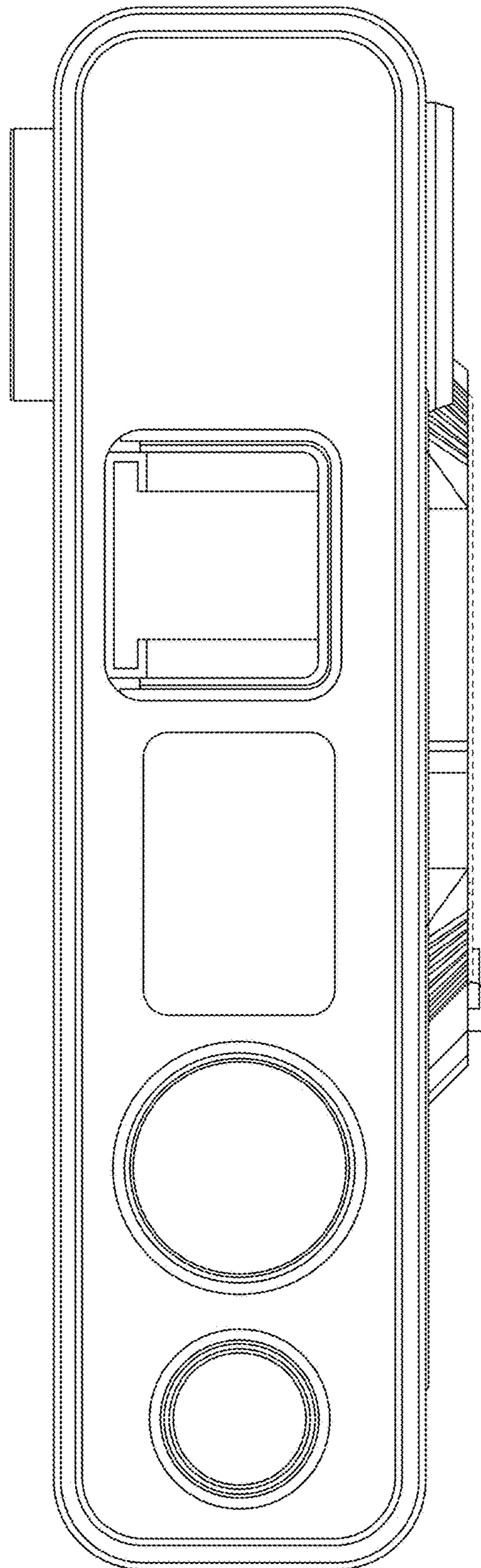
1.3



1.4

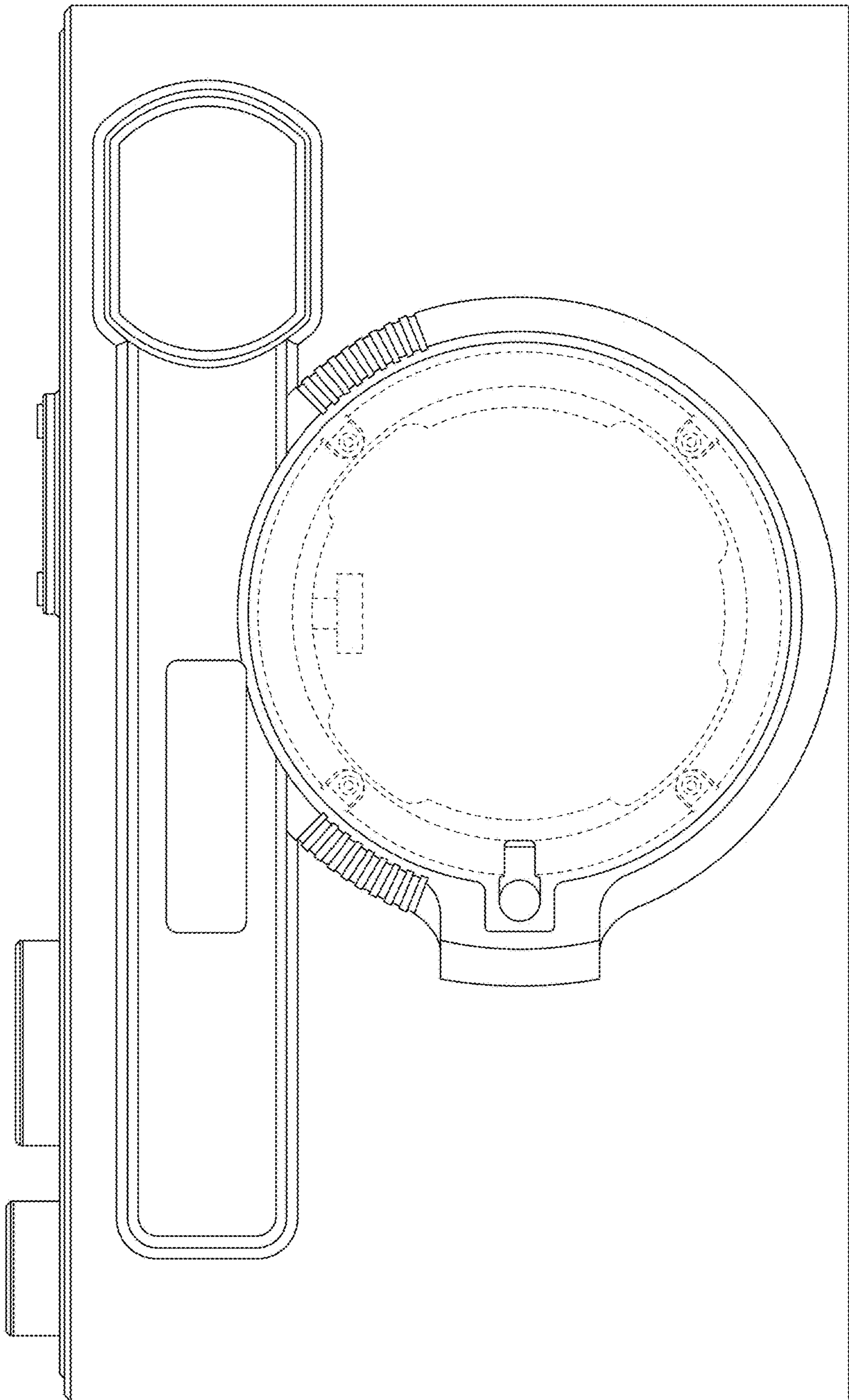


1.5

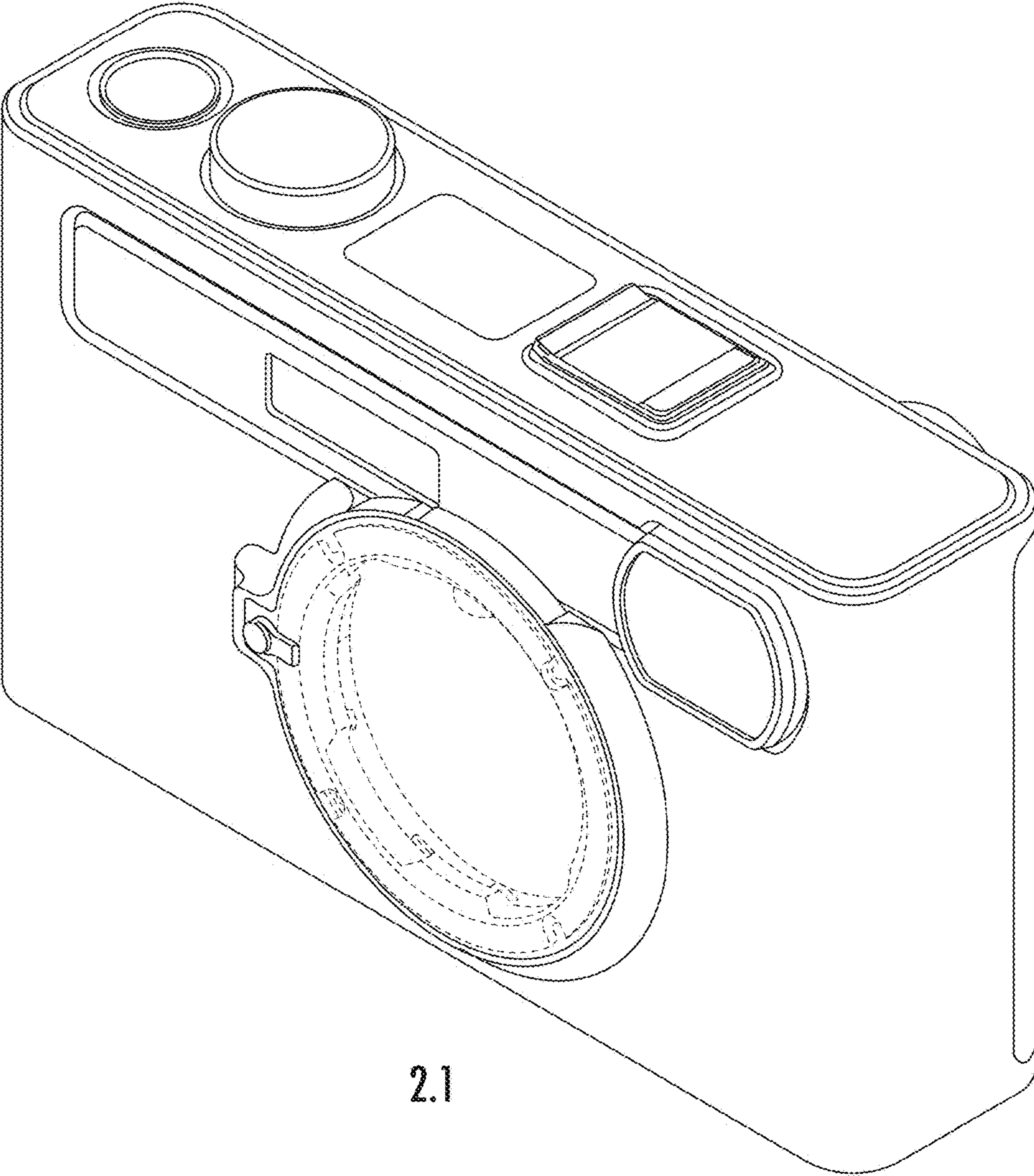


1.6  
9.1

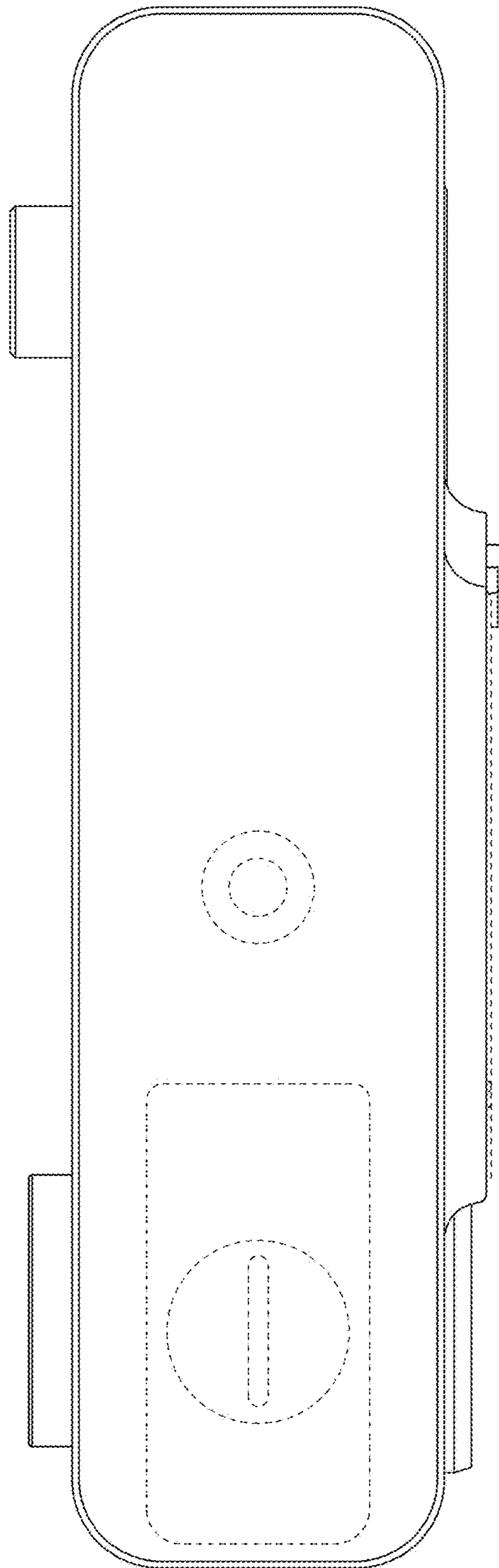




17



2.1



2.2

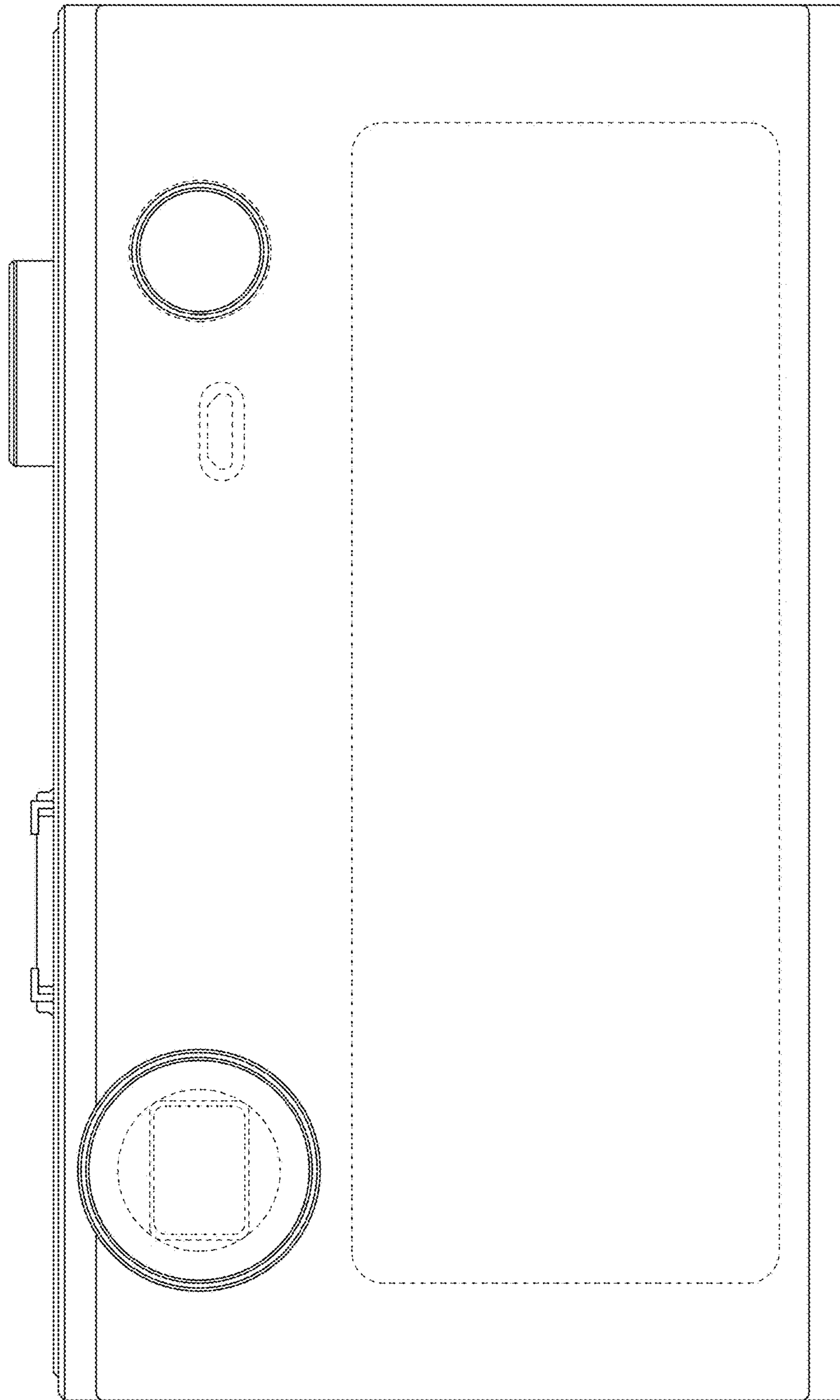
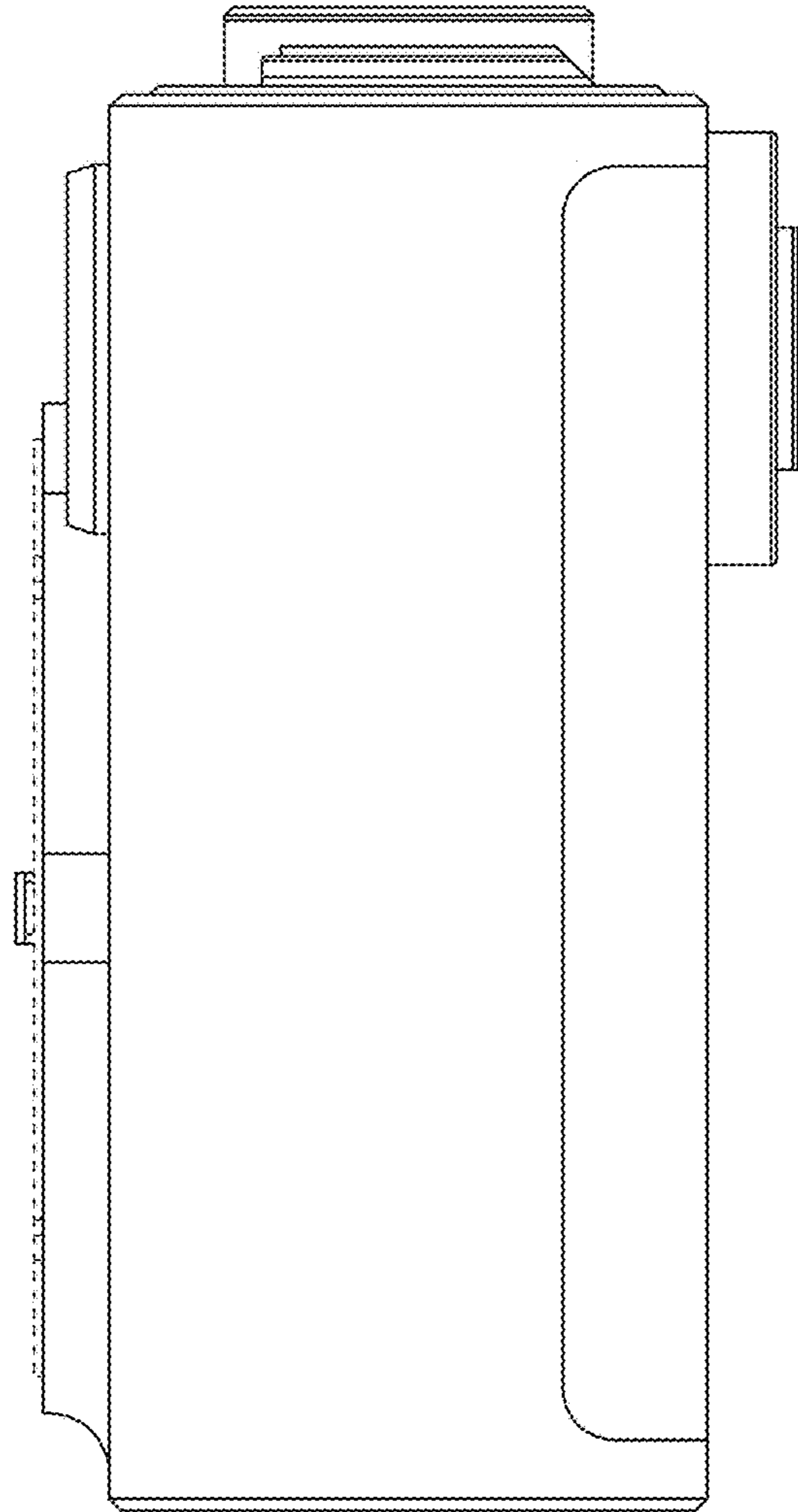
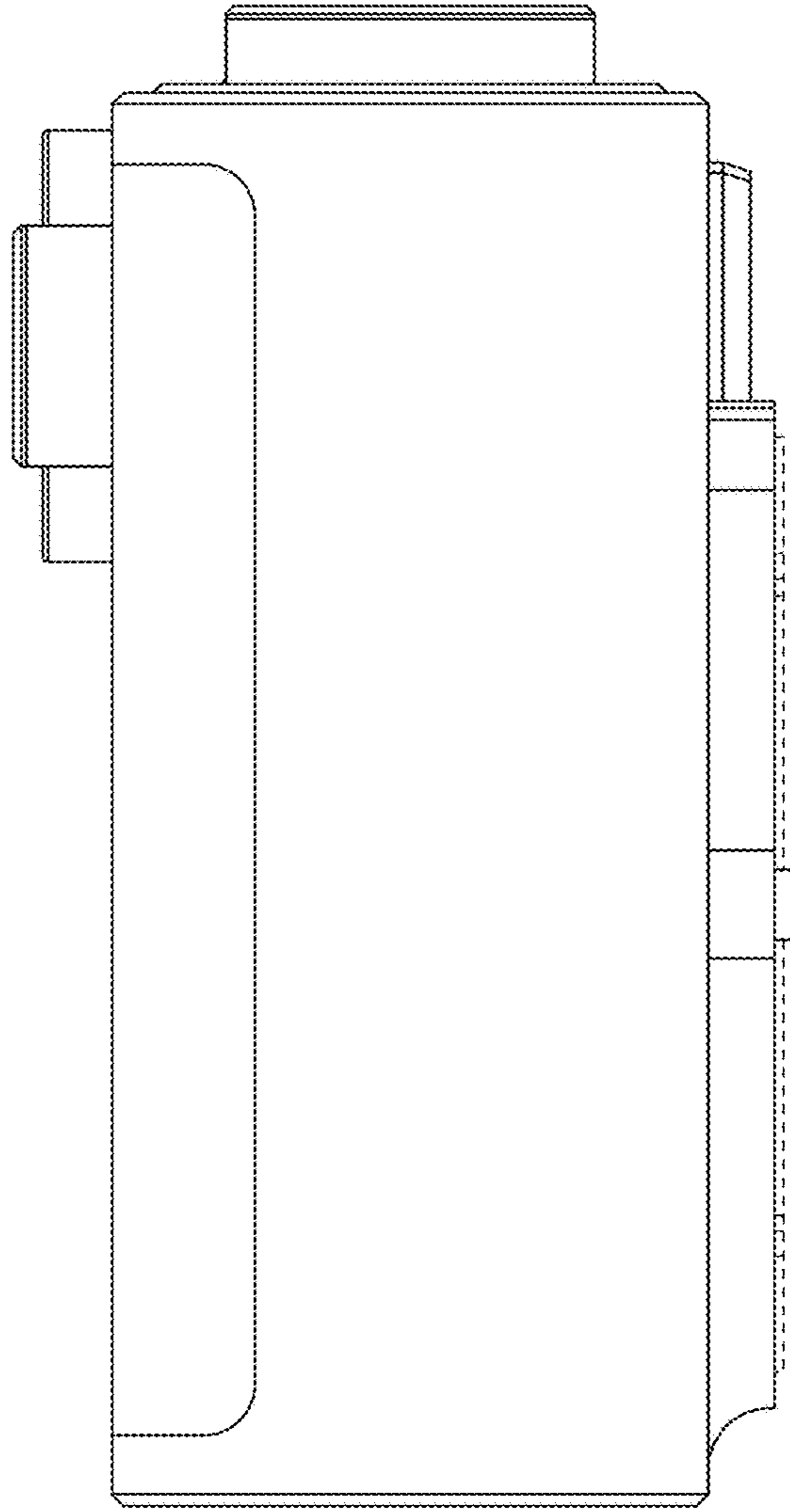


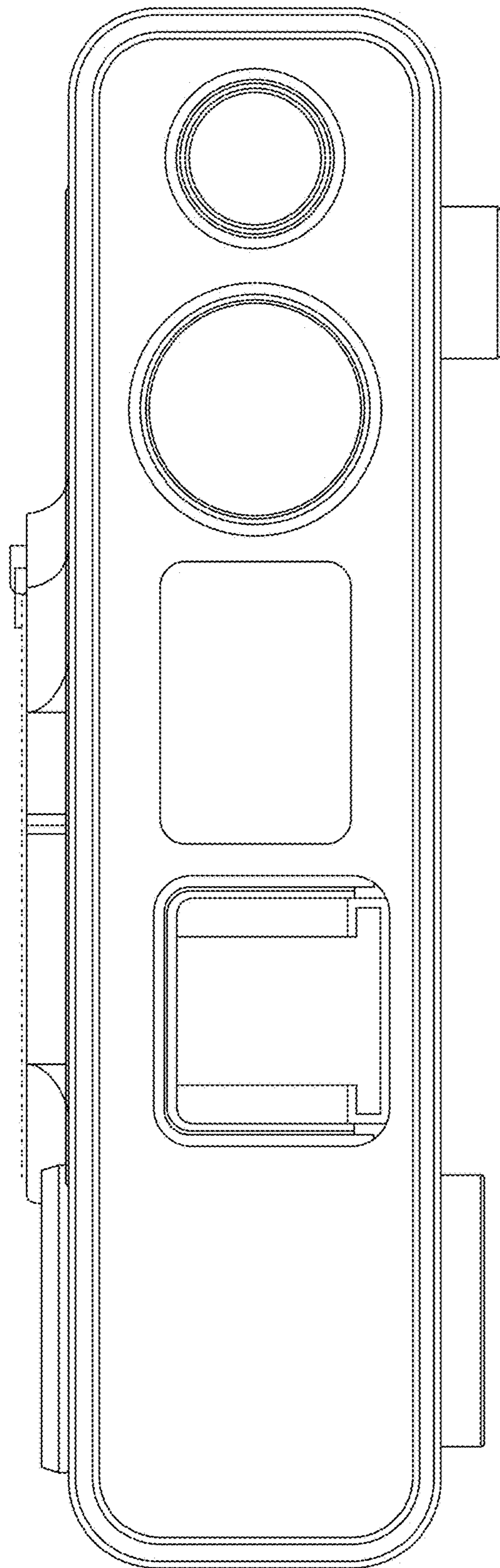
FIG. 2.3



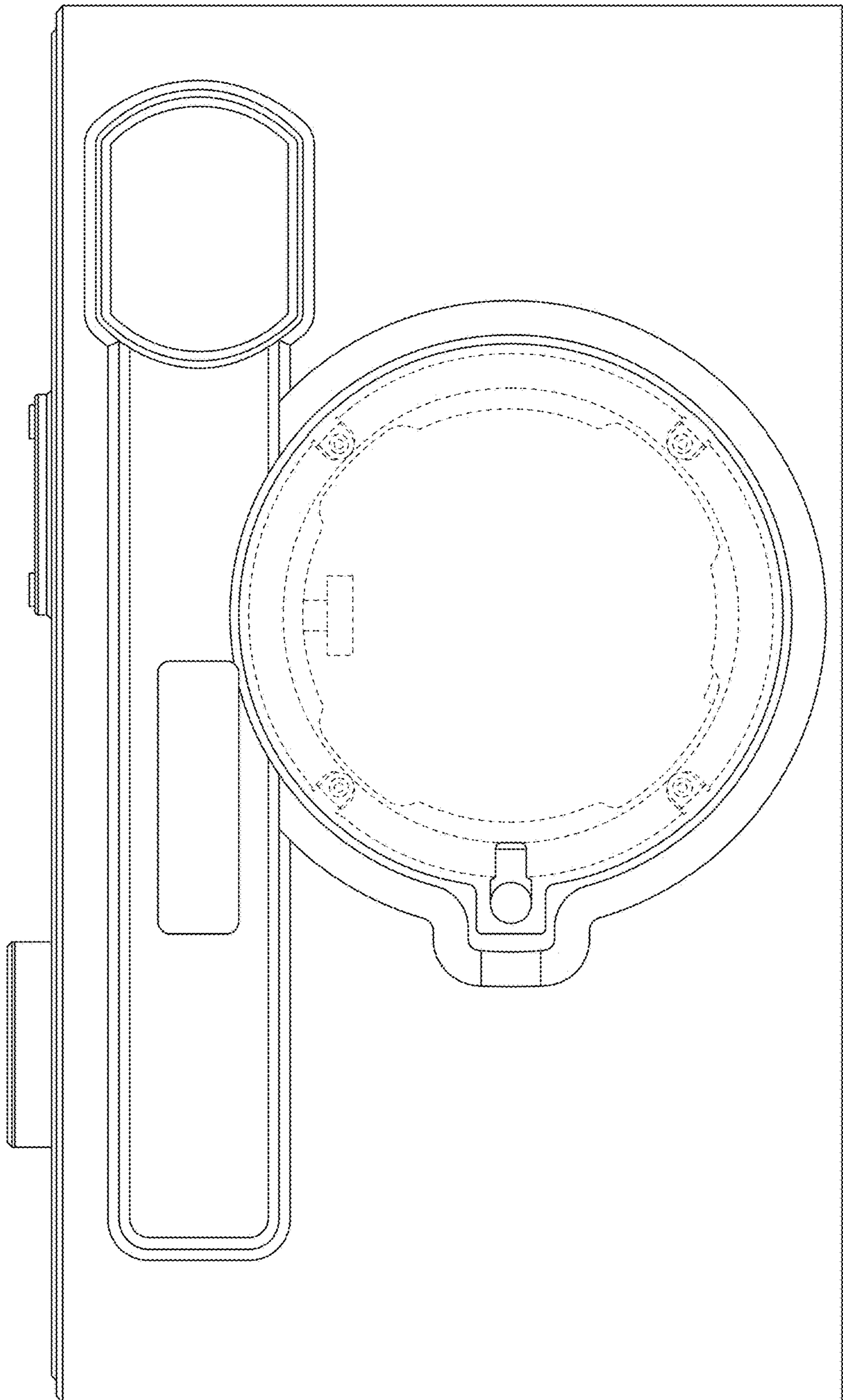
2.4



2.5



2.6



2.7