



US00D842911S

(12) **United States Design Patent**  
**O'Neill et al.**

(10) **Patent No.:** **US D842,911 S**

(45) **Date of Patent:** **\*\* Mar. 12, 2019**

(54) **OIL PAN**

(71) Applicant: **Holley Performance Products, Inc.**,  
Bowling Green, KY (US)

(72) Inventors: **Todd O'Neill**, Bowling Green, KY  
(US); **Corey Spainhoward**, Bowling  
Green, KY (US)

(73) Assignee: **Holley Performance Products, Inc.**,  
Bowling Green, KY (US)

(\*\*) Term: **15 Years**

(21) Appl. No.: **29/605,767**

(22) Filed: **May 30, 2017**

(51) **LOC (11) Cl.** ..... **15-09**

(52) **U.S. Cl.**  
USPC ..... **D15/152**

(58) **Field of Classification Search**  
USPC ..... D15/150-152  
CPC ..... F01M 9/00; F01M 9/06; F01M 9/002  
See application file for complete search history.

(56) **References Cited**

**U.S. PATENT DOCUMENTS**

1,427,377	A *	8/1922	Graves	.....	F01M 9/06	184/13.1
D232,524	S *	8/1974	Schy	.....	D9/417	
4,938,184	A *	7/1990	Martin	.....	F01M 11/0004	123/195 C
D317,923	S *	7/1991	Barrett	.....	D15/3	
D340,250	S *	10/1993	Lux, Jr.	.....	D15/150	
D341,150	S *	11/1993	Seegmiller	.....	141/106	
D388,801	S *	1/1998	Simard	.....	D15/150	
D409,387	S *	5/1999	Yemini	.....	D3/304	
D420,026	S *	2/2000	McWilliams	.....	D15/150	
D423,531	S *	4/2000	Becker	.....	D15/150	
7,637,337	B2 *	12/2009	Stranges	.....	F01M 11/0004	180/69.1

D637,636	S *	5/2011	Liao	.....	D15/150	
D641,385	S *	7/2011	Armstrong	.....	D15/150	
D660,892	S *	5/2012	Tomlinson	.....	D15/152	
8,776,757	B2 *	7/2014	Goerend	.....	F01M 11/0004	123/195 C
D777,435	S *	1/2017	Hecht	.....	D3/307	
2002/0100641	A1 *	8/2002	Osman	.....	F01M 11/0004	184/106

(Continued)

**FOREIGN PATENT DOCUMENTS**

AU	201717295	12/2017
AU	201717297	12/2017
AU	201717299	12/2017

**OTHER PUBLICATIONS**

Transmittal Letter of Related Cases.

*Primary Examiner* — Patricia A Palasik

(74) *Attorney, Agent, or Firm* — Middleton Reutlinger

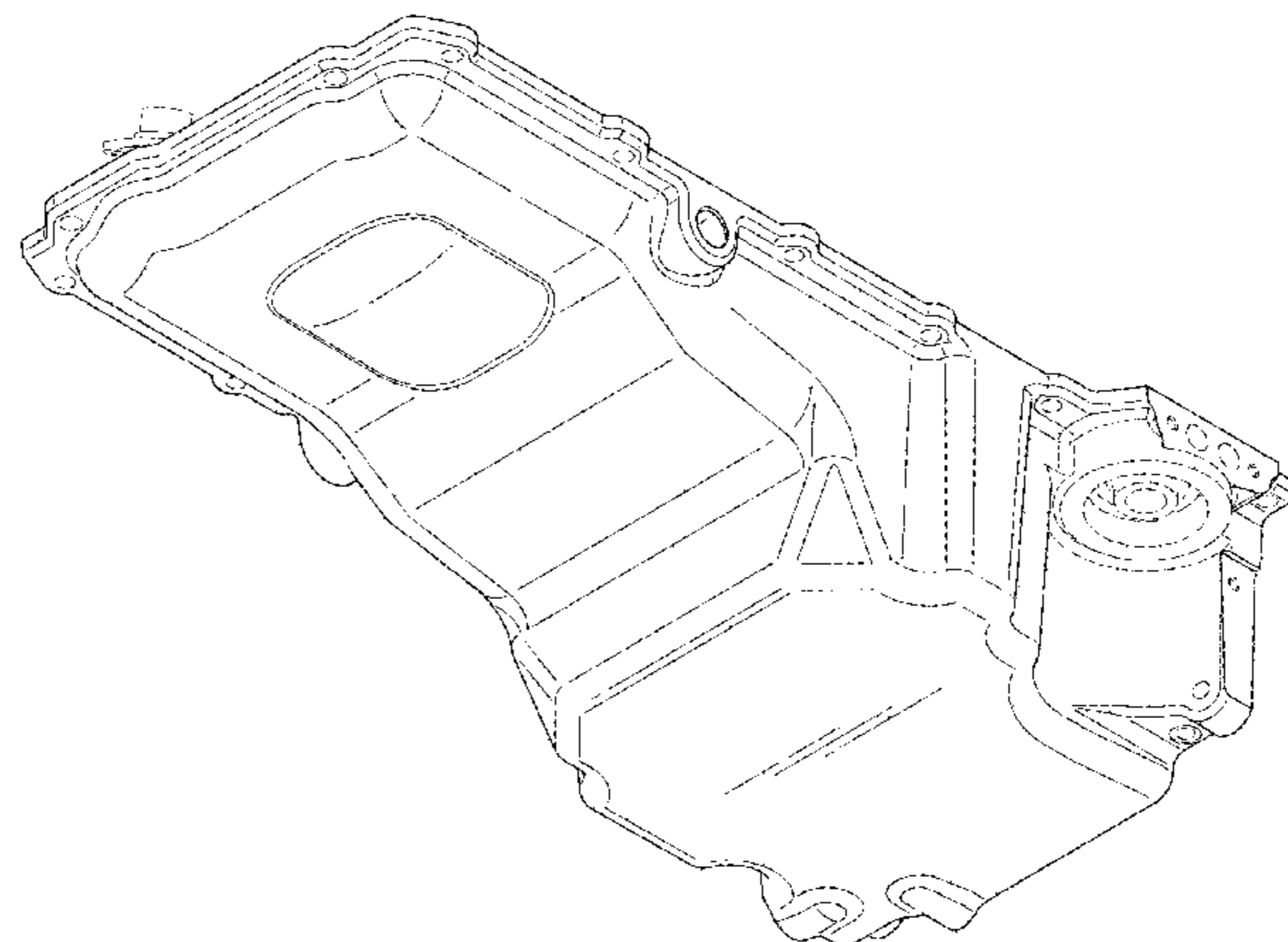
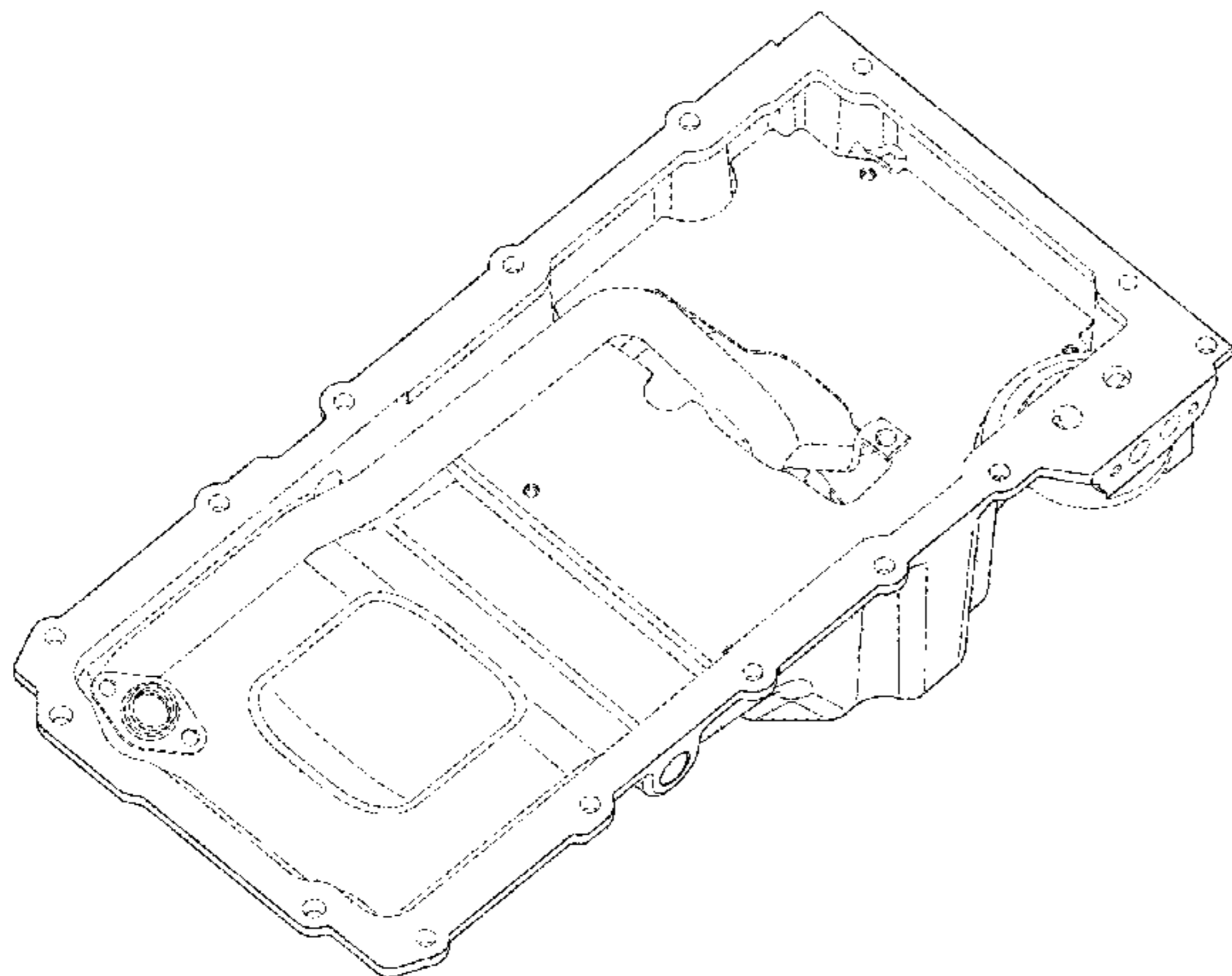
(57) **CLAIM**

The ornamental design for an oil pan, as shown and described.

**DESCRIPTION**

FIG. 1 is an upper perspective view of an oil pan; FIG. 2 is a front elevation view of the design of FIG. 1; FIG. 3 is a rear elevation view of the design of FIG. 1; FIG. 4 is a right side elevation view of the design of FIG. 1; FIG. 5 is a left side elevation view of the design of FIG. 1; FIG. 6 is a top plan view of the design of FIG. 1; FIG. 7 is a bottom plan view of the design of FIG. 1; and, FIG. 8 is a lower perspective view of the design of FIG. 1. The broken line disclosure in the drawings depicts unclaimed environmental subject matter of the oil pan.

**1 Claim, 8 Drawing Sheets**



(56)

**References Cited**

U.S. PATENT DOCUMENTS

2003/0029412 A1\* 2/2003 Kato ..... F01M 5/02  
123/195 C  
2004/0154576 A1\* 8/2004 Kamiyama ..... F01M 11/0004  
123/195 C  
2008/0257649 A1\* 10/2008 Sameck ..... B22D 19/0072  
184/106  
2010/0224450 A1\* 9/2010 Dods ..... F01M 11/0004  
184/106  
2010/0230212 A1\* 9/2010 Jensen ..... B01D 35/027  
184/6.24

\* cited by examiner

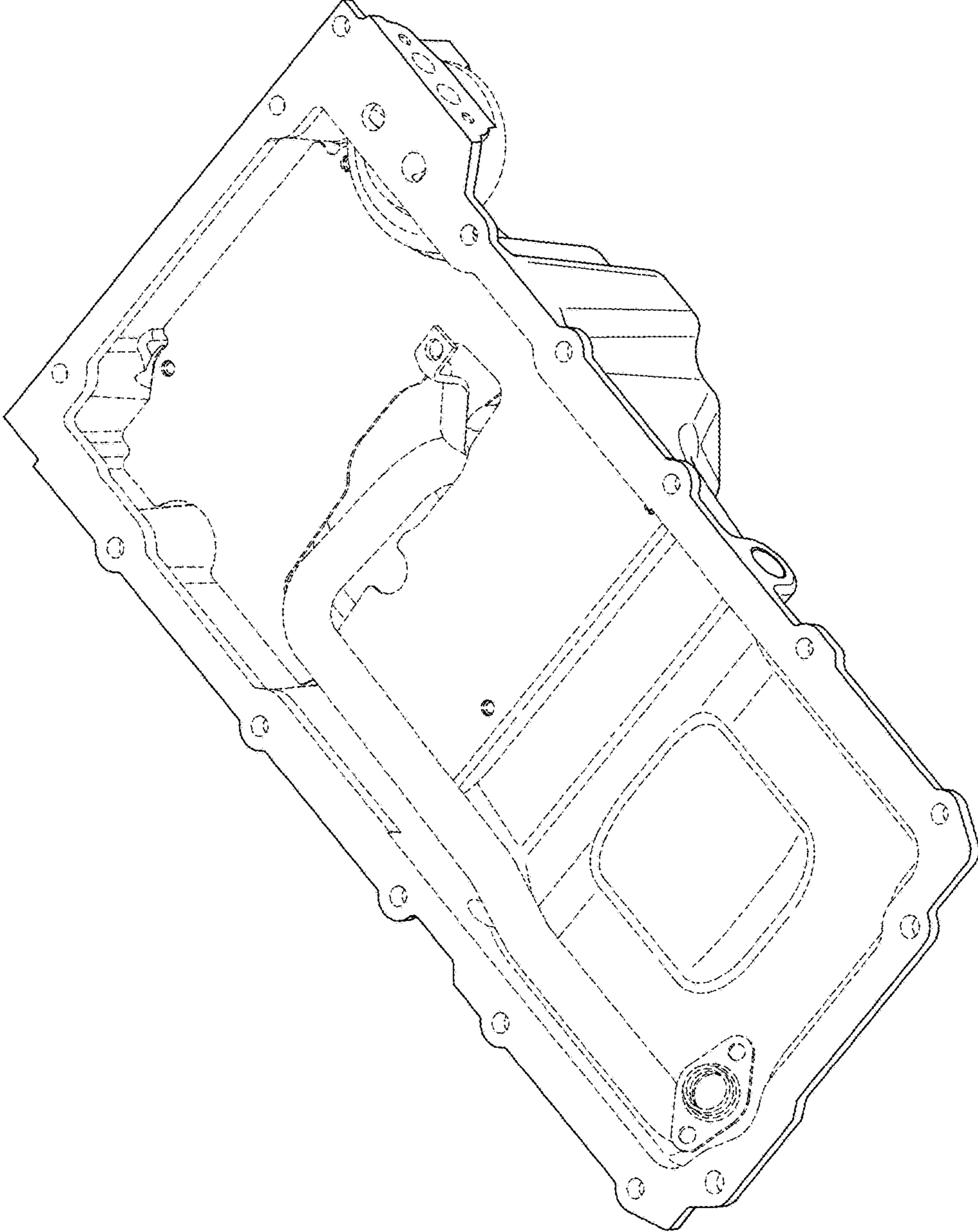


FIG. 1

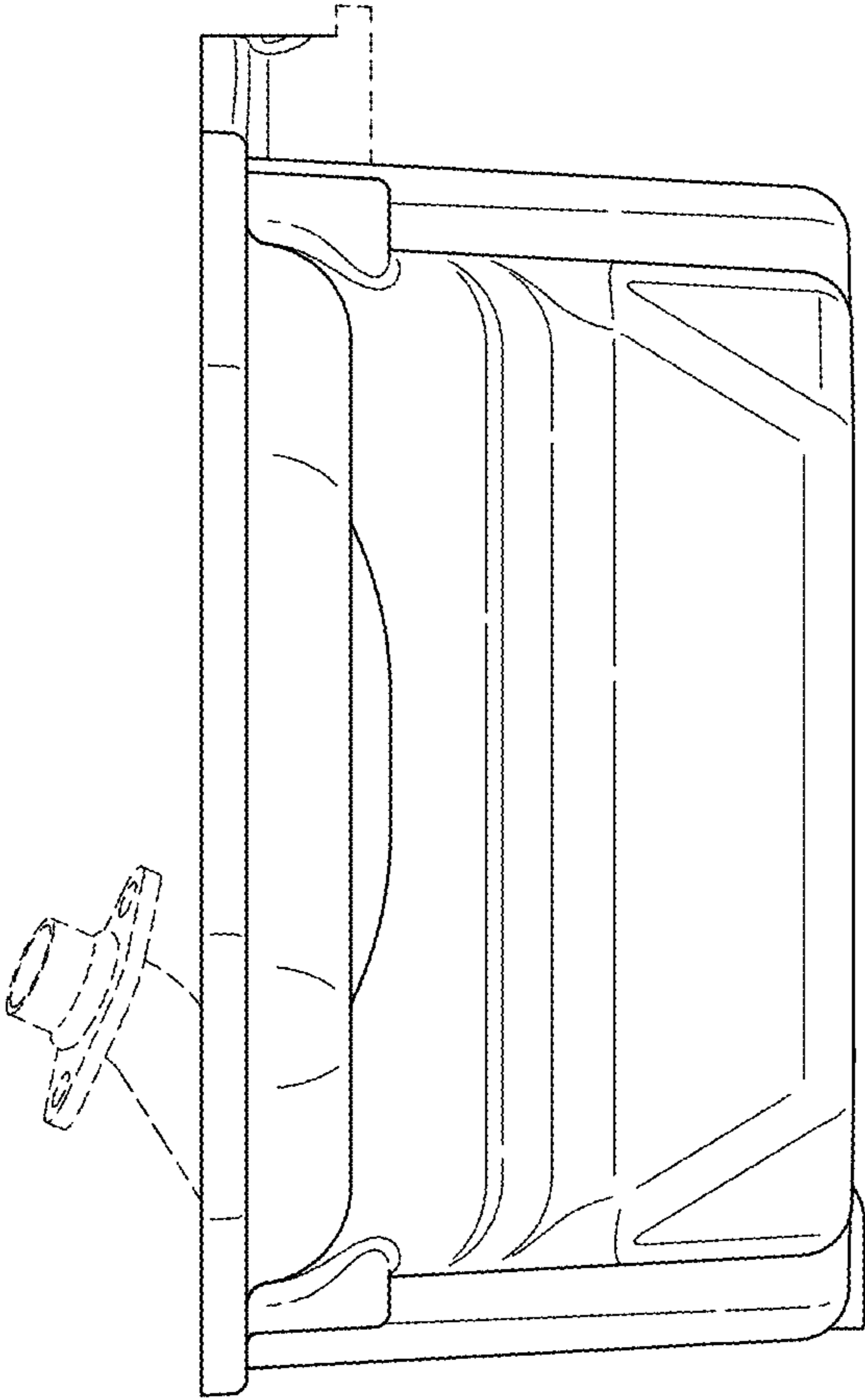


FIG. 2

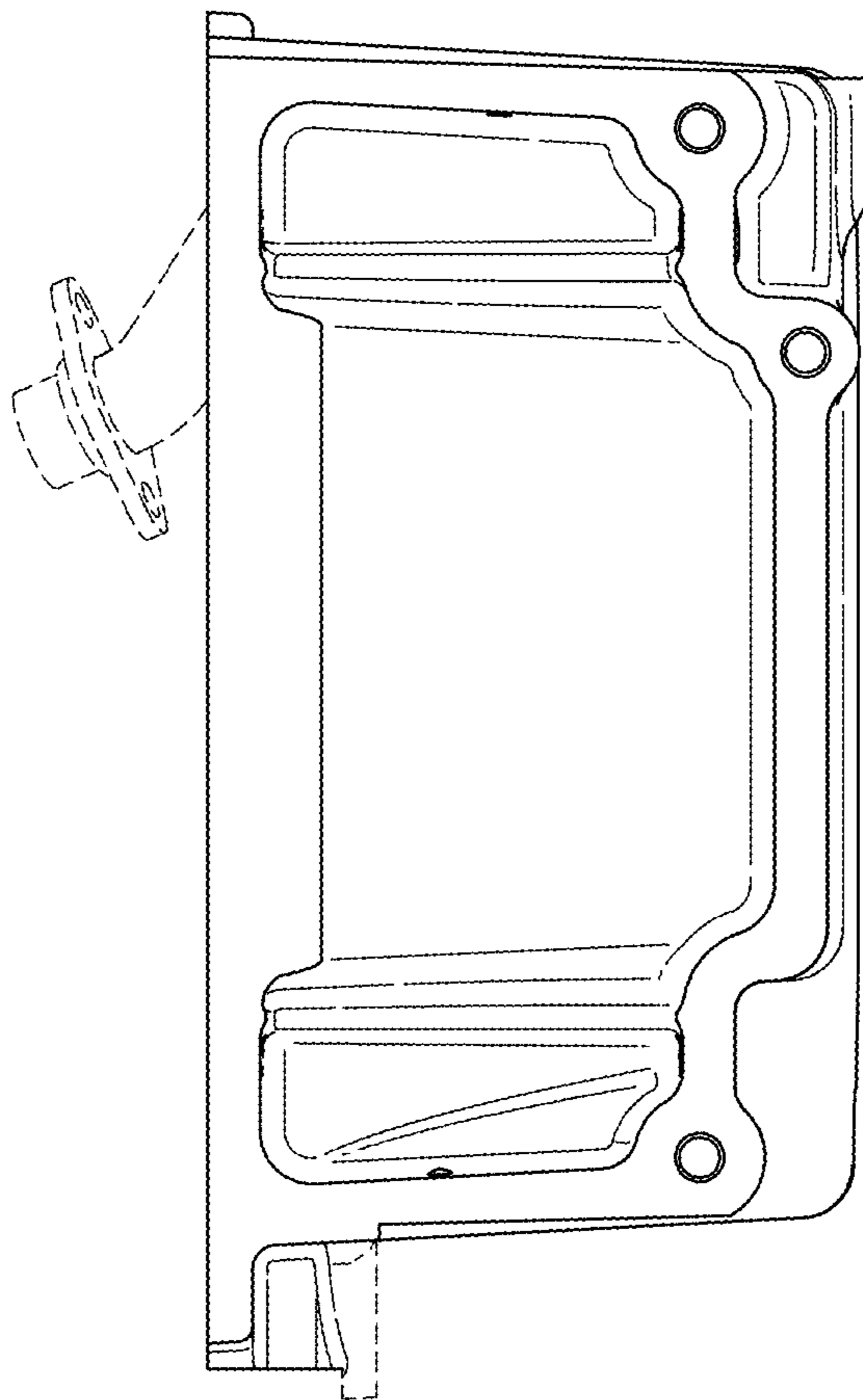


FIG. 3

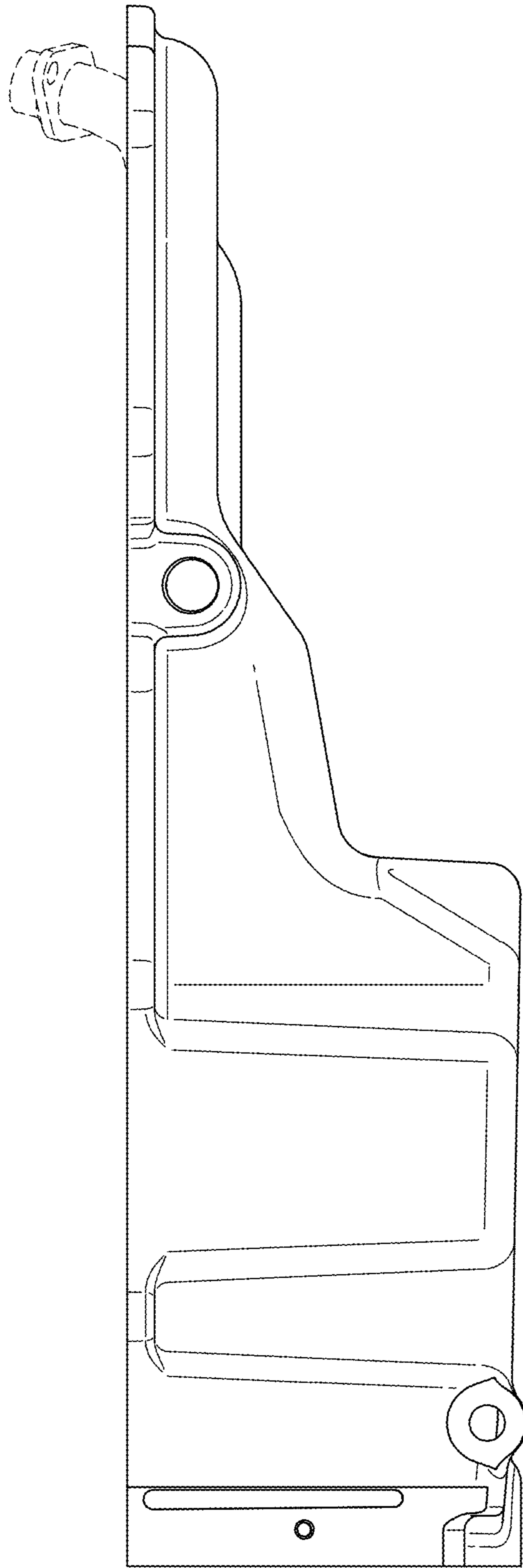


FIG. 4

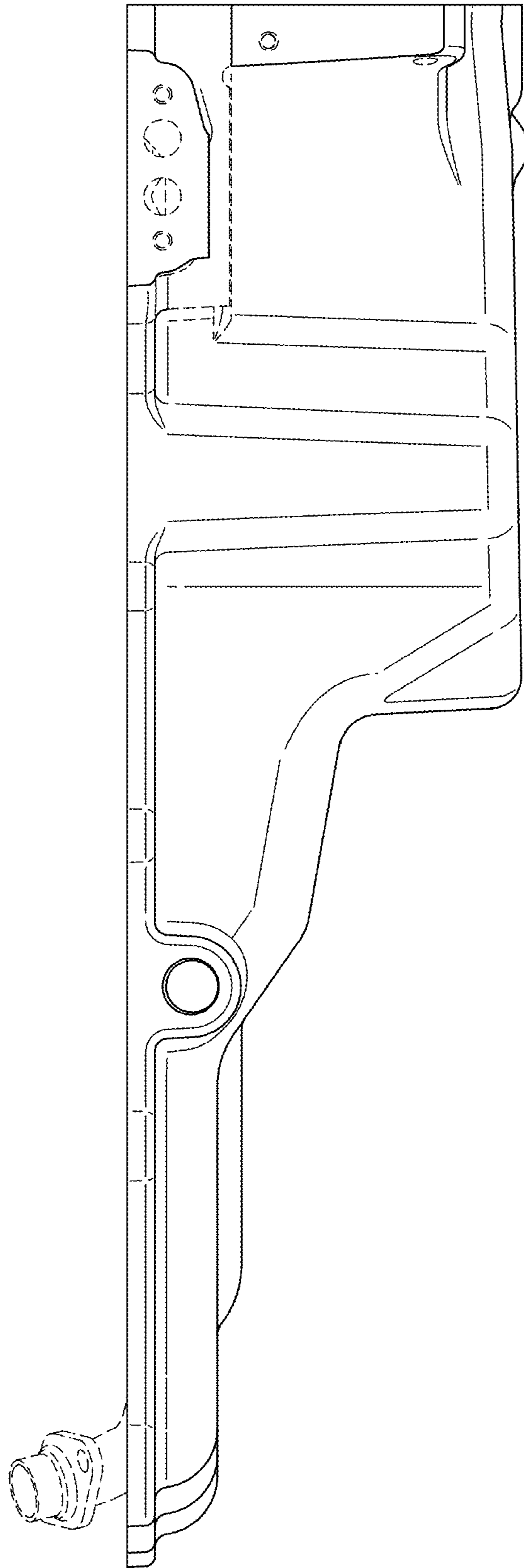


FIG. 5

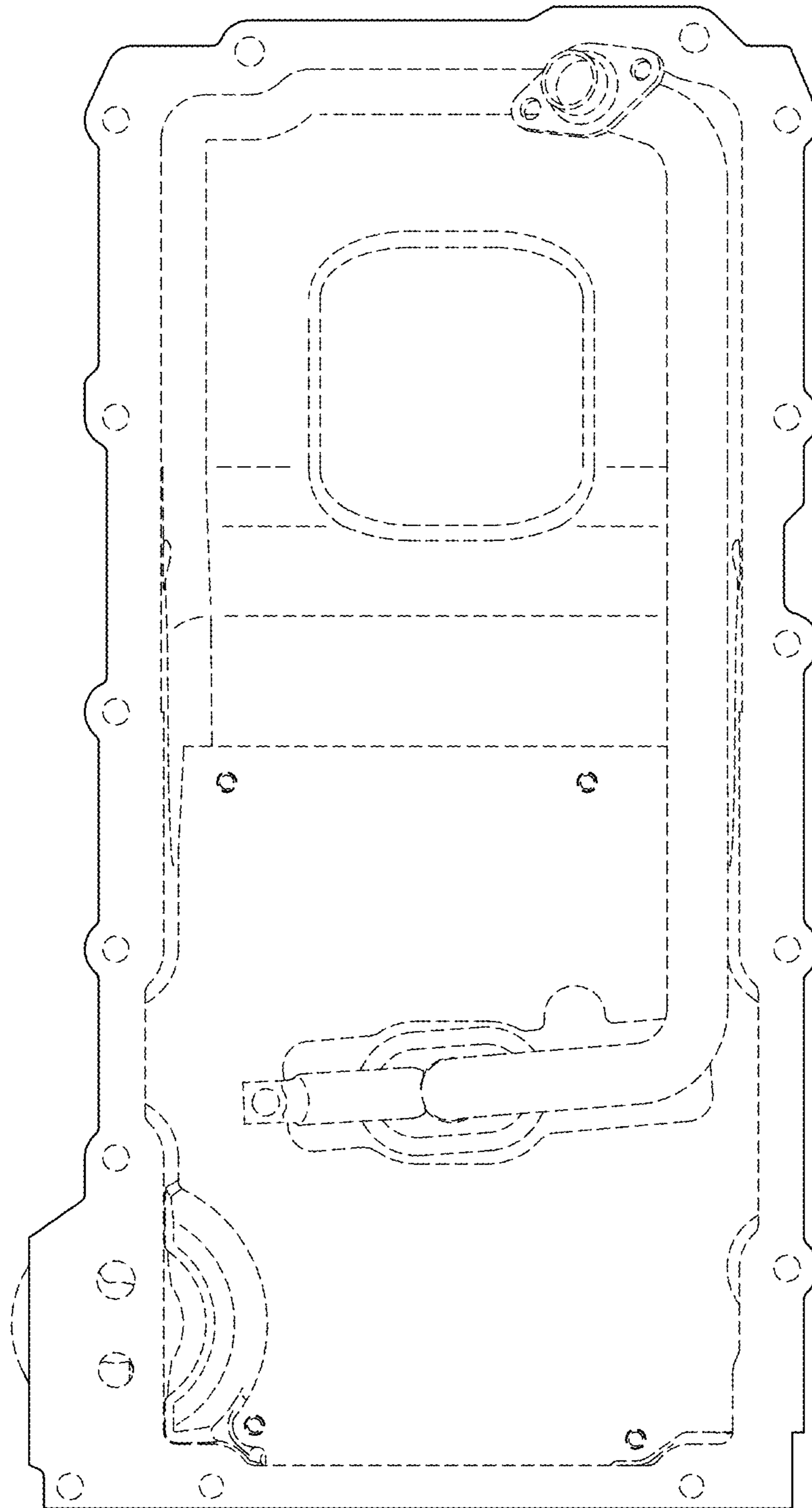


FIG. 6



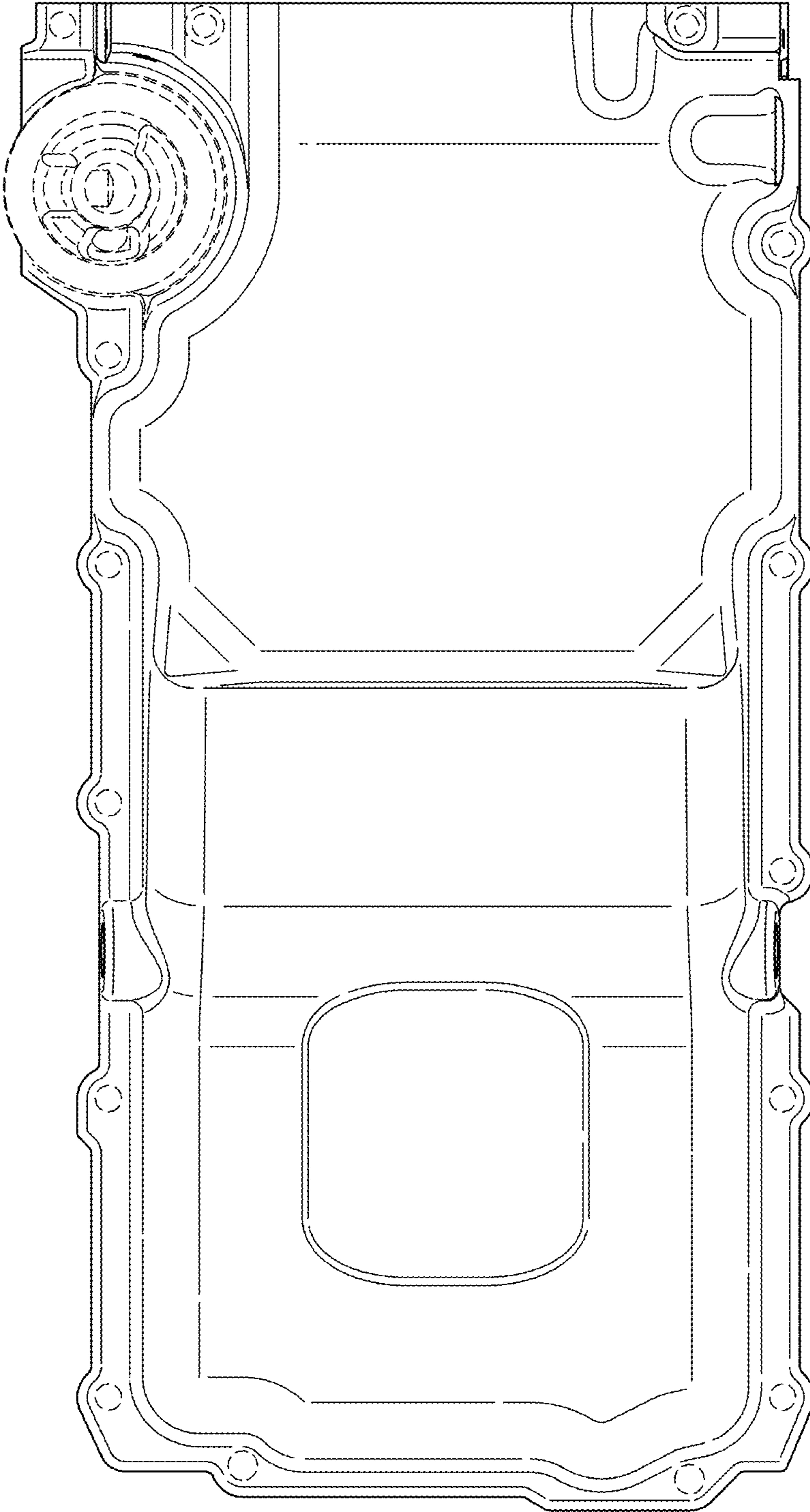


FIG. 7

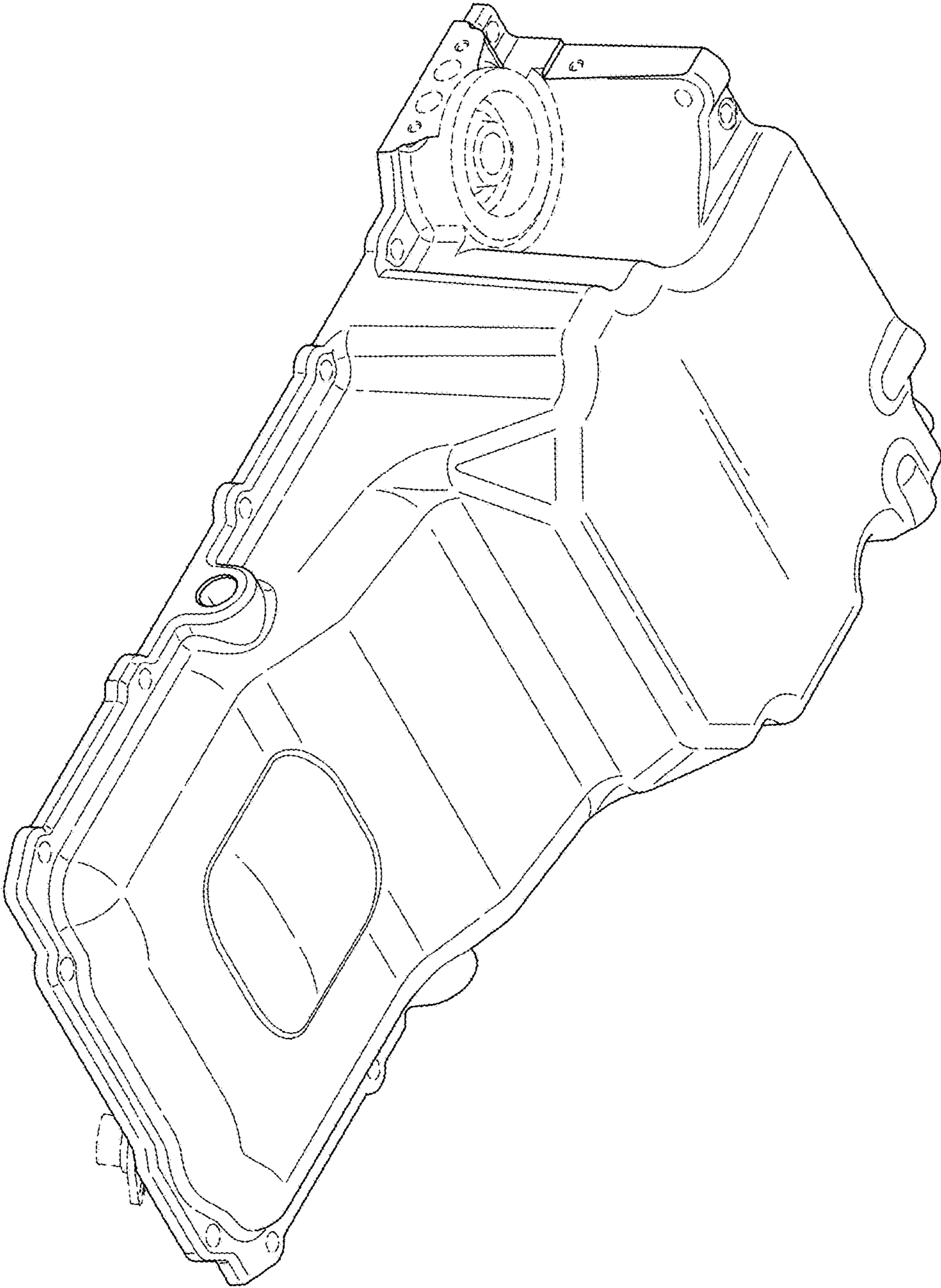


FIG. 8